

HARDKORR™

HYPERION

S E R I E S

SINGLE ROW **LED LIGHT BARS**

10 inch to 50 inch



INSTRUCTION MANUAL

HKLB-HPR-10S / HKLB-HPR-20S / HKLB-HPR-30S /
HKLB-HPR-40S / HKLB-HPR-50S

V2.0 - 11.2023

CONGRATULATIONS ON PURCHASING THIS HIGH QUALITY **HARDKORR PRODUCT.**

In doing so, you now have the assurance and peace of mind that comes from purchasing a product that has been manufactured to the highest quality standards.

Our aim is for you to be completely satisfied with your purchase, and therefore your new Hardkorr product is backed by a comprehensive warranty and an outstanding after-sales customer service team.

We hope you will enjoy using this product for many years to come.

If you require technical support, or in the unlikely event your purchase appears to be faulty, please contact our support team for immediate assistance. Contact details for each country are contained within this user guide.

- THE HARDKORR TEAM

CONTENTS

SAFETY INSTRUCTIONS	2
SPECIFICATIONS	3
DIMENSIONS & MOUNTING	4
INSTALLATION	6
WIRING DIAGRAM	7
OPERATION	8
CONTENTS & ACCESSORIES	9
FREQUENTLY ASKED QUESTIONS	11
WARRANTY	12

DISCLAIMER

While caution has been taken to ensure the accuracy of the contents of this guide, Hardkorr assumes no responsibility for errors or omissions. Please note that specifications and product functionality may change without notice.

For assistance with assembly or installation, parts and service, please visit www.hardkorr.com or contact customer service through the following:



Toll Free:

1800 533 544

Monday - Friday

9AM - 4PM (AEST)



Language spoken: English

support@hardkorr.com

IMPORTANT: RETAIN FOR FUTURE REFERENCE & READ CAREFULLY

Failure to follow these instructions may result in personal or property injury, may reduce the lifespan of your product, and may void your warranty.

- Ensure you comply with your state or territory's laws and regulations around the installation and use of auxiliary lighting.
- Before installing, remove the negative battery cable.
- Ensure the light bar is mounted securely and tightly to a solid surface.
- Ensure air flow to your radiator is not compromised by the positioning of your light bar.
- Do not install the light bar in a place that may interfere with the driver's line of vision.
- Use either the included harness or a suitable alternative to install the lights. Make sure the harness you are using is capable of sustaining the current drawn by your light bar, especially when connecting new lights to an existing harness.
- Some vehicles will require a different high beam piggyback adaptor than the ones included, or may need to be hardwired into place. We recommend checking with your vehicle manufacturer prior to installation.
- Improper installation of the wiring harness and light bar can affect the performance and reliability of the light and may cause consequential electrical problems in your vehicle. If you do not have the required skills to install this product, we recommend you contact a qualified auto electrician.
- Do not attempt to disassemble, modify or repair the light bar. If your light bar becomes damaged or malfunctions, please cease use and contact us for assistance.
- Do not look directly into the lights.
- Do not connect the light to a power source greater than 30V.
- Do not use solvent-based cleaners when washing the lights.

PRODUCT SPECIFICATIONS

SPECIFICATION	10"	20"	30"	40"	50"
HOUSING MATERIAL	Powder coated 6063 Aluminium alloy				
LENS MATERIAL	UV-coated polycarbonate				
REFLECTOR MATERIAL	Vacuum-metallised polycarbonate				
LED TYPE	OSRAM OSOLON® SSL 150				
POWER	45W	105W	165W	210W	270W
RAW LUMENS	3780	8820	13860	17640	22680
EFF. LUMENS (HI/LO)	2700 / 488	6020 / 1100	8939 / 1616	10802 / 1966	13393 / 2379
1 LUX DIST. (HI/LO)	300m / 127m	492m / 208m	687m / 290m	787m / 333m	883m / 373m
PEAK INTENSITY	90,000cd	242,000cd	472,000cd	620,000cd	780,000cd
INGRESS PROTECTION	IP68 & IP69K				
COLOUR TEMPERATURE	5700K				
OPERATING VOLTAGE	10-30V DC				
CURRENT DRAW 12V (HI/LO)	3.09A / 0.58A	7.32A / 1.28A	11.1A / 1.9A	15.24A / 2.43A	19.5A / 3.5A
CURRENT DRAW 24V (HI/LO)	1.6A / 0.29A	3.66A / 0.66A	5.69A / 1.04A	7.34A / 1.33A	9.73A / 1.78A
DRL POWER DRAW 12V	0.25A	0.61A	0.96A	1.23A	1.5A
DRL POWER DRAW 24V	0.14A	0.33A	0.51A	0.65A	0.84A
OPERATING TEMPERATURE	-30°C to 65°C				
WEIGHT	0.800kg	1.491kg	2.204kg	2.721kg	3.425kg

HKLB-HPR-10S (10 inch)

← 248.0mm →

← 267.7mm →

← 300.0mm →

HKLB-HPR-20S (20 inch)

← 524.0mm →

← 543.7mm →

← 576.0mm →

HKLB-HPR-30S (30 inch)

← 800.0mm →

← 819.7mm →

← 852.0mm →

HKLB-HPR-40S (40 inch)

← 1007.0mm →

← 1026.7mm →

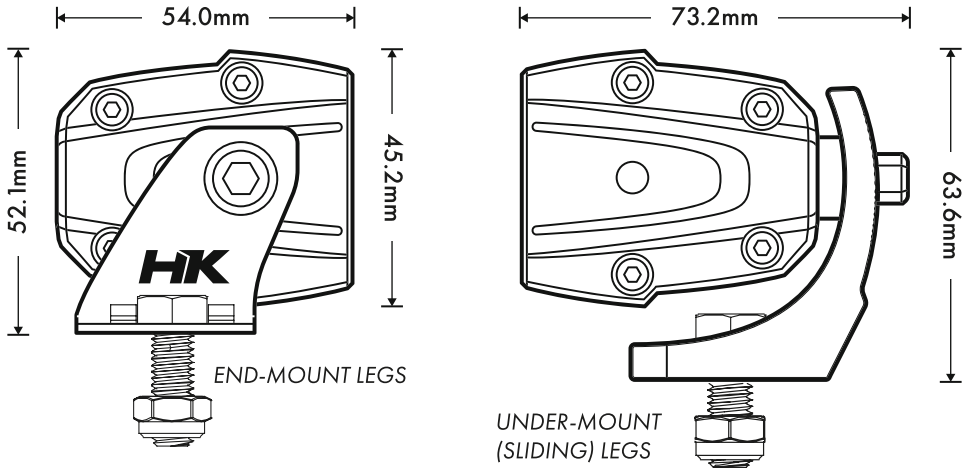
← 1059.0mm →

HKLB-HPR-50S (50 inch)

← 1283.0mm →

← 1302.7mm →

← 1335.0mm →



DUAL MOUNTING OPTIONS

Your Hyperion Series light bar comes with both end-mount and under-mount (sliding) legs in the box. You can use whichever legs suit your application best.

END-MOUNT LEGS

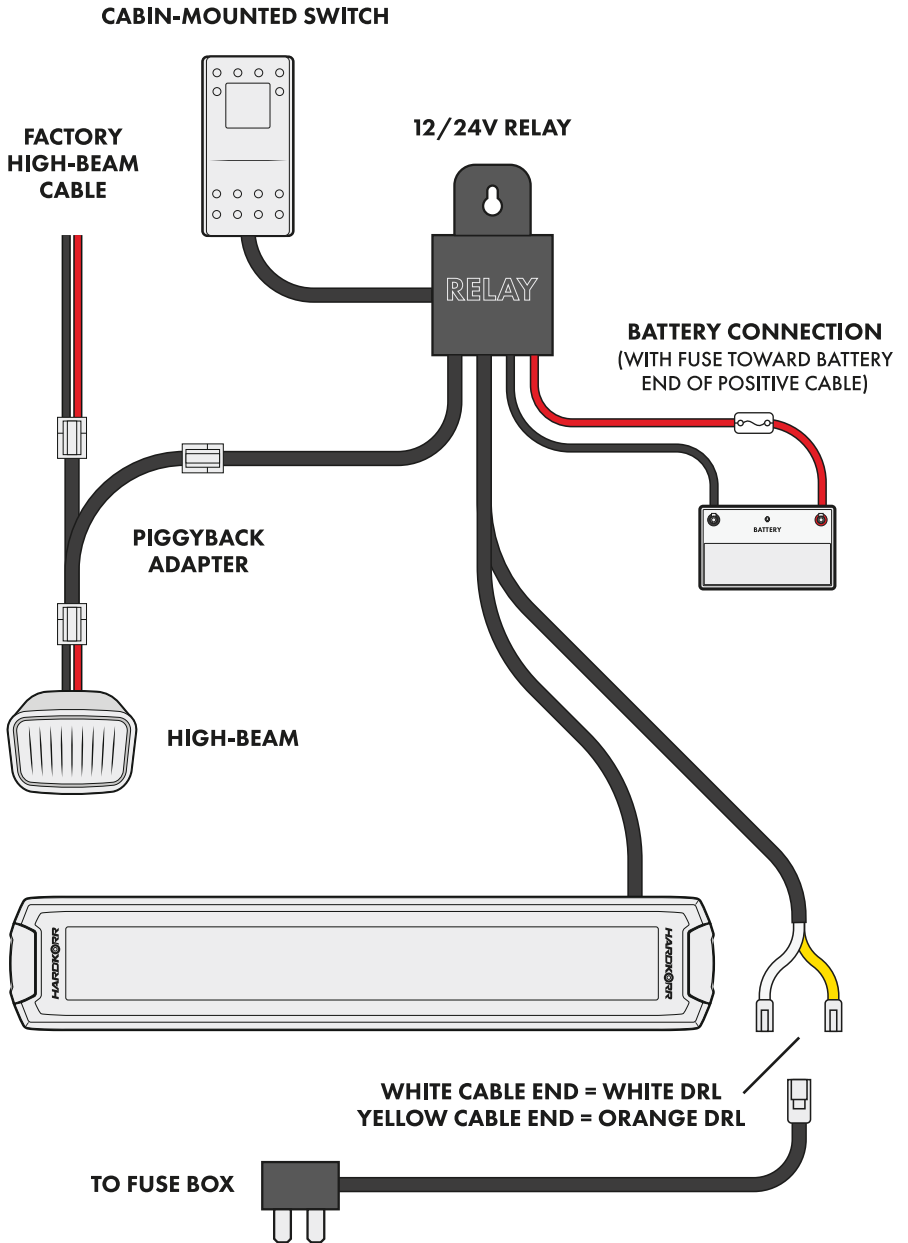
- Fasten the end-mount legs to the bar using the included spring washers and 8mm x 14mm hex bolts, but do not tighten all the way (you may need to adjust the angle later).
- Attach the end-mount legs to the bar using the included M8 x 25mm bolts and nuts.

UNDER-MOUNT (SLIDING LEGS)

- Insert the M6 x 20mm bolts into the middle channel at the rear of the bar and then slide them towards the middle. You will notice that this channel widens at the end of the bar just enough to accept the bolt heads.
- Slide the square washers over the ends of the bolts, ensuring that the two raised edges face forward and sit inside the top and bottom channels.
- Attach the under-mount legs to the bolts by inserting the end of the bolt through the slotted hole in the leg. Ensure that the leg curves underneath the bar, not away from the bar.
- Secure the under-mount leg to the bar with the M6 nut, but do not tighten all the way (you may need to adjust the angle later).
- Attach the under-mount leg to the bar using the included M8 x 25mm bolt and nut.

PRIOR TO INSTALLING THE LIGHT BAR ON YOUR VEHICLE, HARDKORR RECOMMENDS TESTING THE LIGHT BAR AND WIRING HARNESS OUTSIDE OF THE VEHICLE.

1. Disconnect the negative cable of the battery.
2. Choose whether to use the end-mount legs or under-mount legs. Attach whichever legs you are using to the bar - see page 5 for further instructions.
3. If you do not have pre-drilled holes, sit the light bar on the mounting surface, mark where the holes will need to be placed, and then remove the light and drill the holes.
4. Mount the light bar, ensuring that the rubber pads are in place where the legs contacts with the mounting surface. Roughly align the bar to your desired angle, then tighten the bolts connecting the bar and legs so that the bar does not move out of position.
5. Connect the 4-pin Deutsch plug cable from the light bar to the matching plug on the wiring harness.
6. The light bar incorporates a Daytime Running Light (DRL) that is capable of producing either orange or white light. To connect the white DRL, you will use the white wire in the next step. To connect the orange DRL, you will use the yellow wire.
7. Connect the DRL wire to the twin fuse adaptor (both blade and mini blade fuse adaptors are included) then open your main fuse box and remove the accessories fuse. Plug the accessories fuse as well as the supplied fuse into the adaptor, then insert the adaptor into the fuse box slot from which you removed the accessories fuse. Cover the end of the other wire with electrical tape.
8. Remove the high beam plug from the back of your headlight and connect it to the piggyback adaptor - the kit has a HB3 and H4 adaptor supplied, however other adaptors are available for purchase separately if your vehicle has a different plug (see page 10) - note some modern vehicles require an adaptor specific to that model. Connect the piggyback adaptor to the white plug on the harness, and then reconnect the piggyback adaptor to the back of your headlight.
9. Next, feed the switch to the inside of the cabin. This should be through a rubber grommet that runs through the firewall. To do this, you'll need to note the order of the wires on the back of the switch, then remove, reconnecting once in the cabin of your vehicle.
10. Secure the relay to the body of the vehicle then connect the positive and negative terminals from the harness to your battery.
11. After installation, we recommend you drive to a nearby location at night to properly set up the light bar beam. Park the vehicle on a flat area from where you will be able to clearly see the light beam, then switch on the light bar and loosen the bolts connecting the bar and legs. Adjust the angle of the bar so that the ground in front of the car is well-lit but there are no 'hot spots' (areas where the light is too concentrated). Once satisfied, re-tighten the bolts to ensure the bar stays in place.



USE THE APPROPRIATE BLADE FUSE ADAPTER SIZE FOR YOUR VEHICLE

TURNING ON YOUR LIGHT BAR

The wiring harness included with your Hyperion Series light bar complies with Australian Design Rule 13/00 9.3.7. This means that it is designed to allow the light bar to illuminate only if the high beam head lights are switched on.

The procedure to switch the light bar on is as follows:

- Switch on your vehicle.
- Switch on your headlights and activate high beam mode.
- Turn on the switch that is connected to your light bar wiring harness.

HIGH AND LOW BEAM MODES

Your Hyperion Series light bar incorporates high and low beam modes. The light bar has a memory function so it will remember which mode you have selected even if the vehicle is switched off.

The procedure to switch between light modes is as follows:

- Ensure your headlights are switched on and set to high beam.
- Turn the light bar on using the switch, and then wait for at least two seconds.
- Turn the light bar on and off three times within five seconds. After doing so you should notice the brightness of the light beam changes.

PACK CONTENTS

#	ITEM
1	Light bar (with black coloured inserts pre-installed)
2	End-mount legs
3	Under-mount legs
4	HK Blue coloured inserts
5	Medium Grey coloured inserts
1x	Wiring harness (with 12V relay + switch)
1x	HB3 /H4 Piggyback adapter
1x	Mini-blade fuse adapter
1x	Blade fuse adapter
1x	Spare 40A fuse
1x	Spare 24V relay



ACCESSORIES AVAILABLE

COLOURED INSERTS



Coastal Yellow

SKU: HKLB-HPR-INYLS



Sandy Beige

SKU: HKLB-HPR-INSBS



Sunset Pink

SKU: HKLB-HPR-INPKS



Frost White

SKU: HKLB-HPR-INWTS



Moss Green

SKU: HKLB-HPR-INGRS



Wildfire Red

SKU: HKLB-HPR-INRDS



Saltwater Silver

SKU: HKLB-HPR-INSVS

LIGHT BAR COVERS

Solid Black

SKU: HKLB-HPR-CB10S (10"), HKLB-HPR-CB20S (20"),
 HKLB-HPR-CB30S (30"), HKLB-HPR-CB40S (40"),
 HKLB-HPR-CB50S (50")



Transparent Orange

SKU: HKLB-HPR-CO10S (10"), HKLB-HPR-CO20S (20"),
 HKLB-HPR-CO30S (30"), HKLB-HPR-CO40S (40"),
 HKLB-HPR-CO50S (50")



Clear

SKU: HKLB-HPR-CC10S (10"), HKLB-HPR-CC20S (20"),
 HKLB-HPR-CC30S (30"), HKLB-HPR-CC40S (40"),
 HKLB-HPR-CC50S (50")



PIGGYBACK ADAPTORS

For vehicles that require a piggyback adaptor other than the HB3 and H4 we include, we sell the following adaptors separately:

HKWIRPB-COL	Piggyback Adaptor for Holden RG Colorado & Trailblazer
HKWIRPB-AMR	Piggyback Adaptor for Volkswagen Amarok
HKWIRPB-DMX	Piggyback Adaptor for Isuzu RT D-Max & RF MU-X
HKWIRPB-DMX-RG	Piggyback Adaptor for Isuzu D-Max RG
HKWIRPB-TRTMQ	Piggyback Adaptor for Mitsubishi MQ & MR Triton - MQ Triton
HKWIRPB-TRTMR	Piggyback Adaptor for Mitsubishi MQ & MR Triton - MR Triton
HKWIRPB-PJR-QE	Piggyback Adaptor for Mitsubishi Pajero Sport QE
HKWIRPB-PJR-QF	Piggyback Adaptor for Mitsubishi Pajero Sport QF
HKWIRPB-NP300	Piggyback Adaptor for Nissan NP300 Navara
HKWIRPB-Y62-5	Piggyback Adaptor for Nissan Patrol Y62 Series 5
HKWIRPB-JMN	Piggyback Adaptor for Suzuki Jimny (JB64/JB74)
HKWIRPB-RNG	Piggyback Adaptor for Ford PXII & PXIII Ranger, Raptor, Everest
HKWIRPB-RNG-NG	Piggyback Adaptor for Ford Ranger, Raptor, Everest Next-Gen
HKWIRPB-FOR	Piggyback Adaptor for Toyota Fortuner Crusade (pre-August 2020)
HKWIRPB-FOR-20	Piggyback Adaptor for Toyota Fortuner Crusade (post-August 2020)
HKWIRPB-LC200	Piggyback Adaptor for Toyota Landcruiser 200 Series
HKWIRPB-HLX-N80	Piggyback Adaptor for Toyota Hilux N80
HKWIRPB-BT50-TF	Piggyback Adaptor for Mazda BT-50 TF
HKWIRPB-WRN-JL	Piggyback Adaptor for Jeep Wrangler/Gladiator JL/JT
HKWIRPB-T60	Piggyback Adaptor for LDV T60 MAX
HKWIRPB-CAN	Piggyback Adaptor for GWM Cannon 2019+
HKWIRPB-H1	Piggyback Adaptors - Generic - H1
HKWIRPB-HB3	Piggyback Adaptors - Generic - HB3
HKWIRPB-H8911	Piggyback Adaptors - Generic - H8/H9/H11
HKWIRPB-H7	Piggyback Adaptors - Generic - H7

FREQUENTLY ASKED QUESTIONS

Q. Do I need to use both sets of legs?

A. No, we provide both end-mount and under-mount legs to provide flexibility to mount the bar in different places. Only one set of legs is required to secure the bar.

Q. Will this light bar work with a 24V setup?

A. Yes, it is suitable for both 12V and 24V systems.

Q. Do I have to connect the light into the high beam circuit?

A. For on-road use, Australian Design Rule 13/00 9.3.7 mandates that all forward-facing driving lights must only be operable "when the main-beam [high-beam] headlamps switch is in the 'lamps on' position".

Q. Can I use the existing wiring harness that's already in the car with this light bar?

A. It is unlikely that other wiring harnesses will be suitable for use with this light bar, due to its unique features such as high/low beam modes and dual colour daytime running lights.

Q. How do I clean my lights?

A. We recommend using a soft sponge or cloth and a bucket of car wash solution to clean your light bar. Rinse thoroughly with a garden hose or pressure washer. If using a pressure washer, ensure you do not bring the nozzle too close to the light.



Toll Free:

1800 533 544

Monday - Friday

9AM - 4PM (AEST)



Language spoken: English

support@hardkorr.com

HARDKORR



Our goods come with guarantees that cannot be excluded under the Australian Consumer Law. You are entitled to a replacement or refund for a major failure and compensation for any other reasonably foreseeable loss or damage. You are also entitled to have the goods repaired or replaced if the goods fail to be of acceptable quality and the failure does not amount to a major failure.

Hardkorr warrants that this product will be free from defects in material and workmanship for five years. The warranty commences on the date of purchase by the original purchaser, and is not transferable. To access the benefits of this warranty, you must retain your proof of purchase and follow any other direction we reasonably give you (e.g. completing and returning your warranty card if applicable).

TO BEGIN A WARRANTY CLAIM:

If you believe your Hardkorr product is defective, it must be returned to Hardkorr for inspection by our warranty claims department.

1. You must have a Return Authorization (RA) number. To get your RA number, please complete the form found on our website and wait for the warranty team to contact you.
2. Once you have an RA number, you must arrange for the product must be shipped at your own expense back to Hardkorr (keep your receipt). The address for shipment will be provided when we issue your RA number.
3. Please be sure that your RA number is clearly marked on the outside of the packaging used for shipping.

Completing the steps as mentioned will ensure a faster process of your claim, so that Hardkorr can get your product back to you as soon as possible.

Once we receive your returned product, our technicians will inspect it. We will then notify you of the outcome of your claim.

If we accept your warranty claim, we will either repair, replace or refund the goods at our discretion. We will also reimburse you for the shipping costs you incurred in sending the goods back to us. Any products that we choose to replace or refund become the property of Hardkorr.

If we do not accept your claim, we will advise you of the reason and hold your product for collection. You will need to arrange and pay for the product to be shipped back to you. If your product is not collected within 30 days of your warranty claim being finalised, we may destroy it.

Your warranty is voided if we (at our sole discretion) determine that there is evidence of:

Negligence: Improper installation, improper or extreme use, use that contravenes this instruction manual, etc.

Abuse: Road hazards, Damage beyond the limits of "normal wear and tear."

Unauthorized Repair: Repair service performed by an unauthorised service centre.

Disassembly: Any attempt to open, tamper with or otherwise compromise the integrity of the product.

Consequential damage: damage to this product caused by the failure of another component of the vehicle or device in which this product is installed.

Additionally, in the case of lighting products: the following terms apply:

Damage to Lenses: certain chemicals cause damage to polycarbonate plastics. Do not use cleaning products that contain any of these chemicals: Acetic Acid Aq., Acetone, Ammonium Carbonate Aq., Ammonium Chloride Aq., Benzene, Calcium Hypochlorite, Chloroform, Chromic Acid Aq., Ethyl Acetate, Ethylene Glycol Aq., Formaldehyde Aq., Citric Acid, Heptane, Hydrofluoric Acid Aq., Lubricating Oils (Petroleum), Methyl Ethyl Ketone, Methyl Chloride, Mineral Oils, Oleic Acid, Ozone, Phosphoric Acid Aq., Toluene, Turpentine, Zinc Chloride Aq.

Hardkorr will not approve any warranty claims for lighting products where we reasonably believe that products have been exposed to any of these chemicals.

Exterior Finish: Hardkorr uses the highest quality materials available, but depending on location, environment and exposure, the colour of exterior surfaces can fade. We will not approve any warranty claims that relate to fade.

DISCONTINUED ITEMS

Discontinued items that are still under warranty will be reviewed by Hardkorr. If a discontinued item is covered under warranty it may be replaced by an equivalent or superior item. If an equivalent item is not available Hardkorr will determine terms of resolution on a case-by-case basis.

HARDKORR™

**LIFE
WITHOUT
LIMITS!**