

# HARDKORR™

## USER MANUAL



# HEAVY DUTY BATTERY BOX | PRO

HKPCHGBOX

V1.0 - 7.2024

# CONGRATULATIONS ON PURCHASING THIS HIGH QUALITY HARDKORR PRODUCT!

In doing so, you now have the assurance and peace of mind that comes from purchasing a product manufactured to the highest quality standards.

Our aim is for you to be completely satisfied with your purchase, and therefore your new Hardkorr product is backed by a comprehensive warranty and an outstanding after-sales customer service team.

We hope you will enjoy using this product for many years to come.

If you require technical support, or in the unlikely event your purchase appears to be faulty, please contact our support team for immediate assistance. Contact details for each country are contained within this user guide.

**- THE HARDKORR TEAM**

## CONTENTS

SAFETY INSTRUCTIONS	1
OVERVIEW	2
SPECIFICATIONS	3
INSTALLATION	4
INSTALLATION - ASSEMBLY GUIDE	5
INSTALLATION - VEHICLE MOUNTING GUIDE	16
FUNCTION OVERVIEW	21
FREQUENTLY ASKED QUESTIONS	22
WARRANTY INFORMATION	23

## DISCLAIMER

While caution has been taken to ensure the accuracy of the contents of this guide, Hardkorr assumes no responsibility for errors or omissions. Please note that specifications and product functionality may change without notice.

For assistance with assembly or installation, parts and service, please visit [www.hardkorr.com](http://www.hardkorr.com) or contact customer service through the following:



Toll Free:

**1800 533 544**

Monday - Friday

**9AM - 4PM (AEST)**



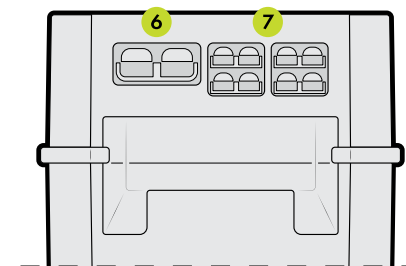
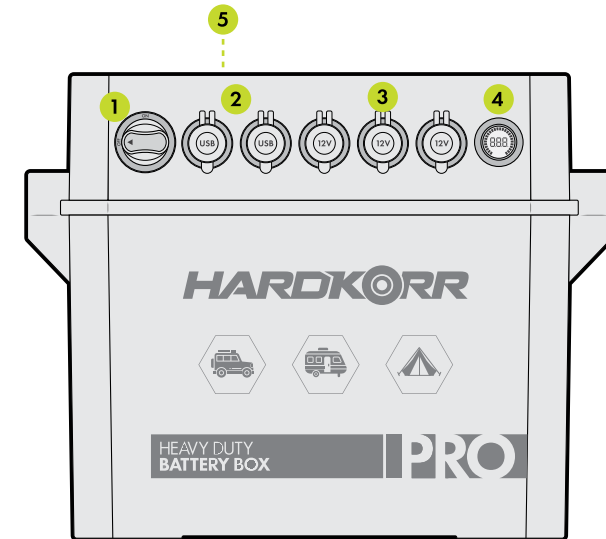
Language spoken: English

**support@hardkorr.com**

### IMPORTANT, RETAIN FOR FUTURE REFERENCE: READ CAREFULLY

- RISK OF FIRE, EXPLOSION AND BURNS:**  
 Working in the vicinity of lead acid batteries is dangerous. Explosive gases can develop during normal battery operation. Be certain there is enough ventilation to release the gases. Do not smoke when in the vicinity of the battery under charge.
- Ensure the red is connected to the positive terminal and the black is connected to the negative terminal if using clamps to connect to your battery. Connecting to the wrong terminals may damage the unit.
- Check the manufacturer's data for your battery and ensure the maximum voltage of the profile you select does not exceed the recommended maximum charge voltage.
- Confirm that the plugs are tightly connected to avoid excessive heating from a loose connection.
- Be careful not to short-circuit the battery connections.
- Accidental shorting of the terminals or wiring can result in sparks, causing personal injury or a fire hazard. We recommend that you cover up the panel with a soft cloth during installation of the regulator to block all incoming light. This will ensure that no damage is caused to the solar panel or battery if the wires are accidentally short-circuited.
- The battery box should not be used by children or persons with reduced physical, sensory or mental capabilities, or lack of experience and knowledge, unless they are supervised or have been instructed on how to use the appliance by a person responsible for their safety.
- Do not alter or disassemble the battery box under any circumstances. Incorrect handling or reassembly may result in a risk of electric shock or fire and may void the unit warranty.
- This product is designed to operate in ambient temperatures between  $-10^{\circ}\text{C}$  and  $60^{\circ}\text{C}$ . Do not operate outside of this temperature range. Do not use this product to charge a frozen battery. Discontinue use if battery becomes excessively warm.

## BATTERY BOX OVERVIEW

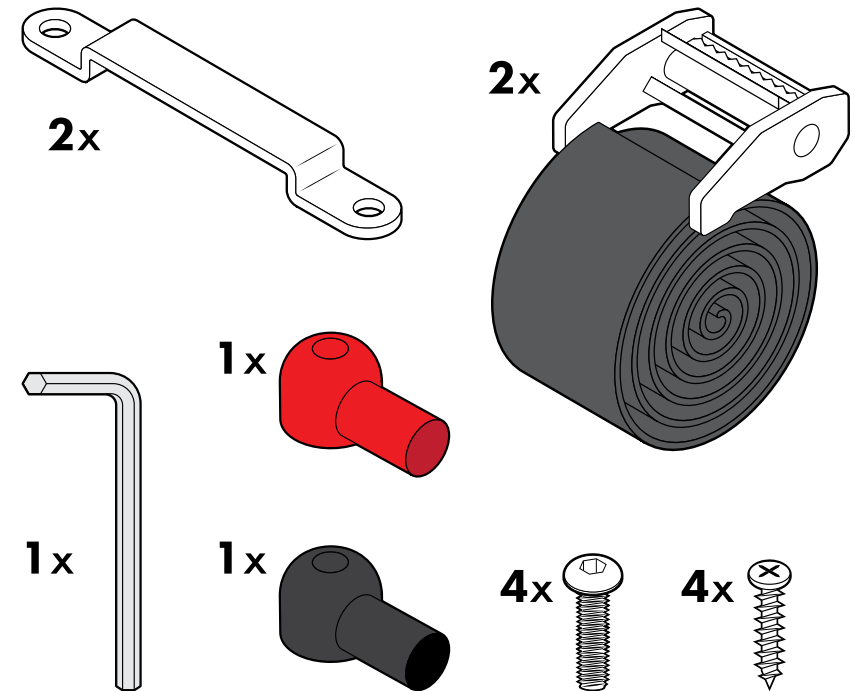


1	On/off switch	5	Wireless charging output
2	USB-C / QC USB-A	6	175A Anderson-style plug
3	12V cigarette sockets	7	50A Anderson-style plugs
4	Voltmeter		

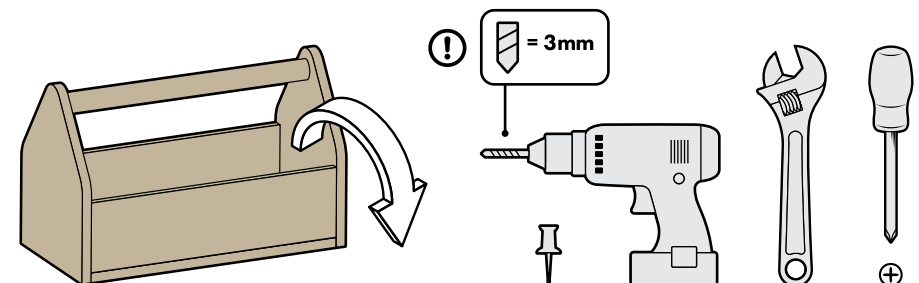
## SPECIFICATIONS

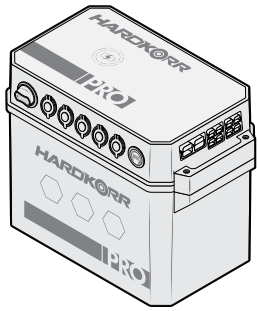
SPECIFICATIONS	HKPCHGBOX
BATTERY COMPATIBILITY	Lithium, AGM, Calcium, Wet, Gel
BODY MATERIAL	ABS plastic (meets UL-94V-0 standard)
CHARGE METHOD	Via Anderson-style plugs
IN/OUT	2x USB-C ports 2x Quick-charge USB ports 3x Cigarette sockets 4x 50A Anderson-style plugs 1x 175A Anderson-style plug 1x Wireless charging pad
BATTERY BOX WEIGHT	3.8kg
MAXIMUM BATTERY SIZE (MM)	330 (L) x 180 (W) x 240 (H)
MAXIMUM BATTERY WEIGHT (KG)	35.0
BOX DIMENSIONS (MM)	420 (L) x 240 (W) x 340(H)
OPERATING TEMPERATURE	-10 °C — 60 °C
CERTIFICATIONS	CE, RoHS, FCC

## CONTENTS



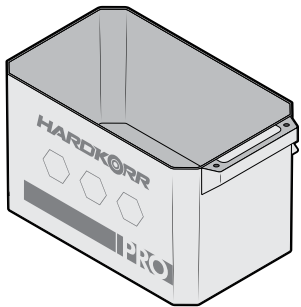
## ! ADDITIONAL TOOLS REQUIRED



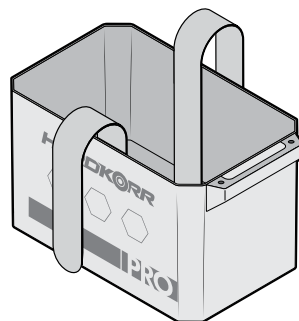
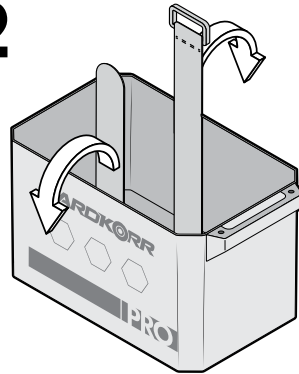


## ASSEMBLY GUIDE

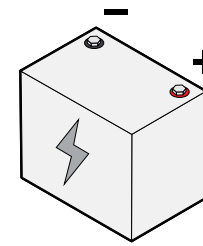
1



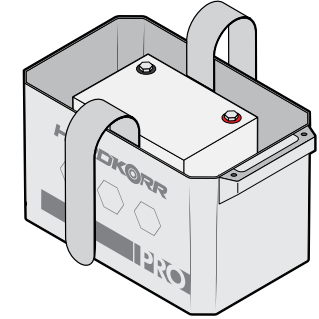
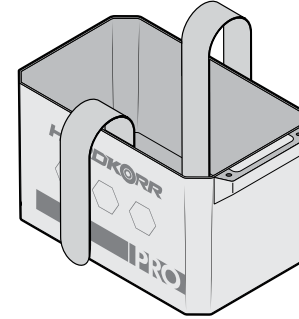
2



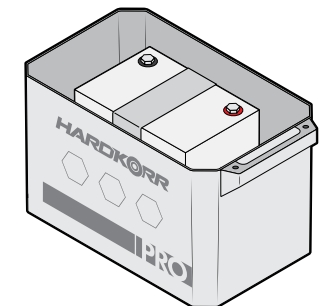
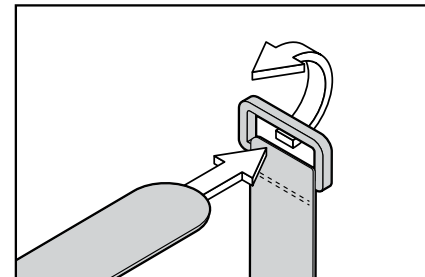
3



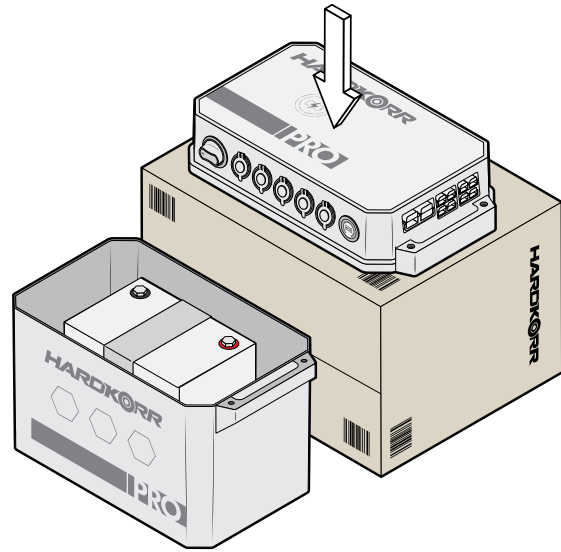
⚠ **BATTERY  
NOT INCLUDED**



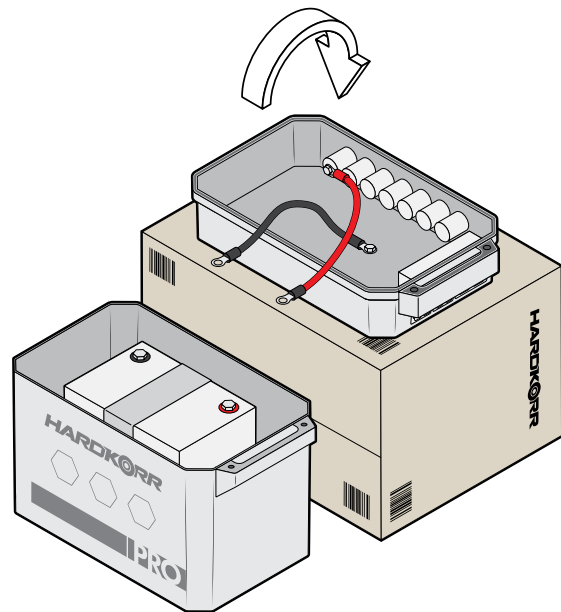
4



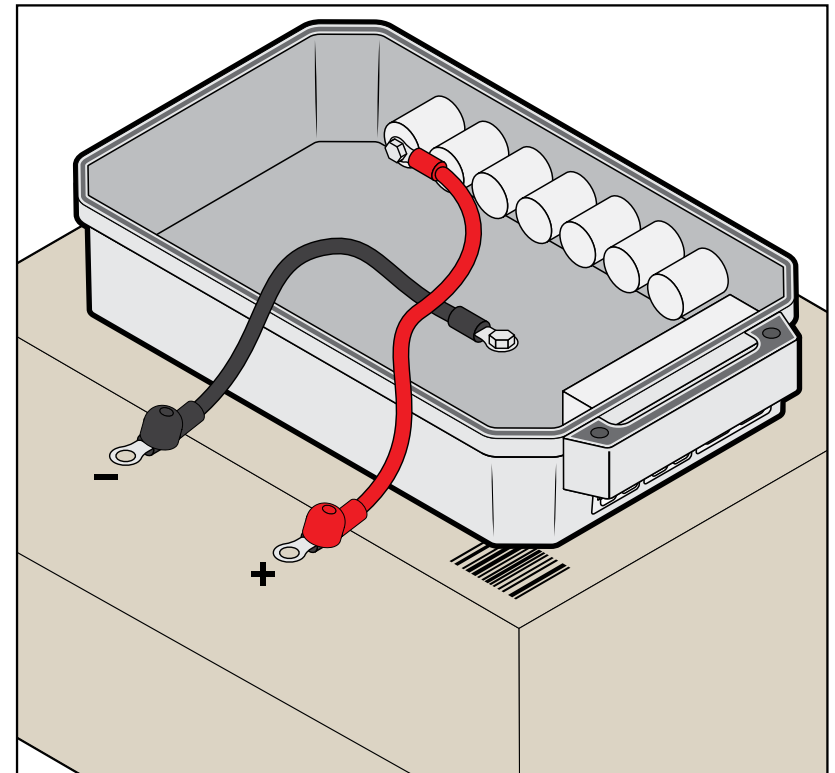
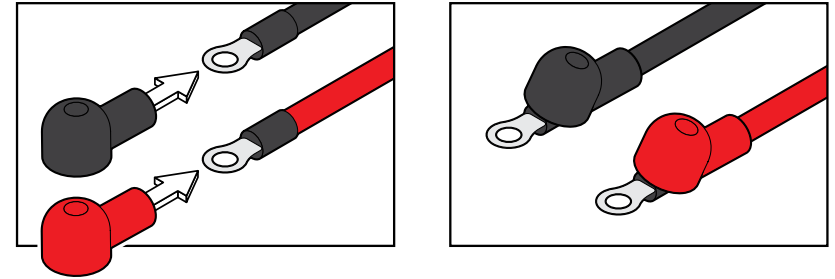
5



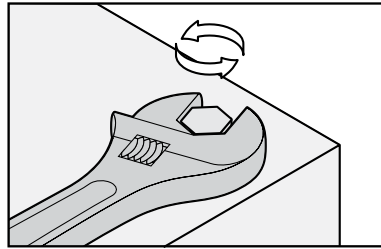
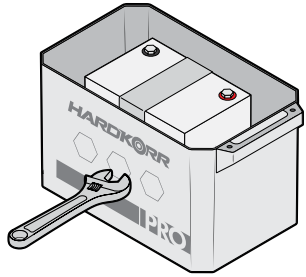
6



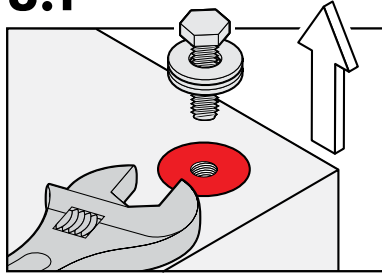
7



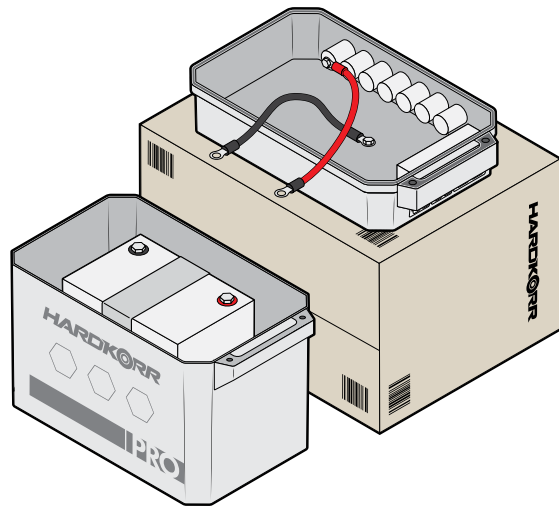
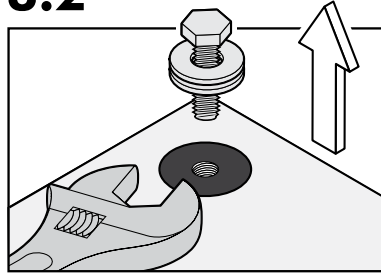
8



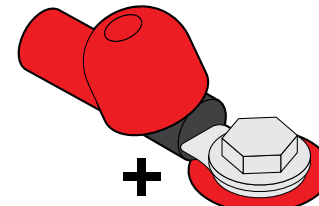
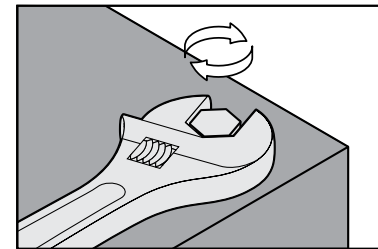
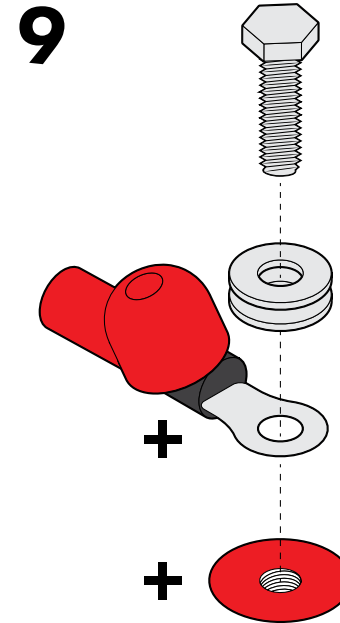
8.1



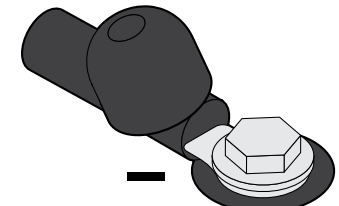
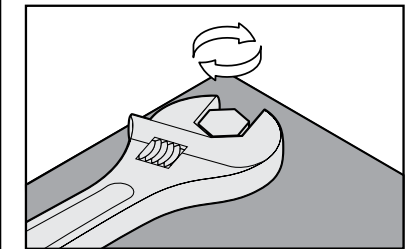
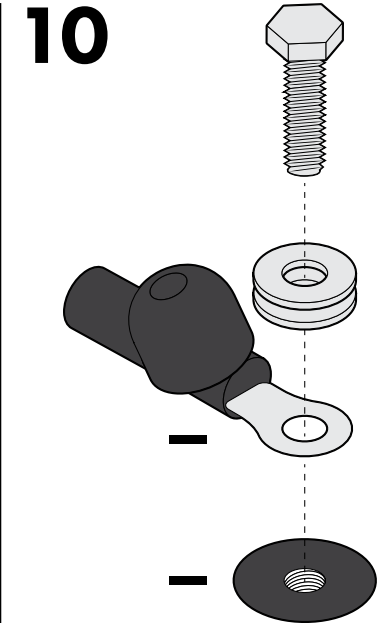
8.2

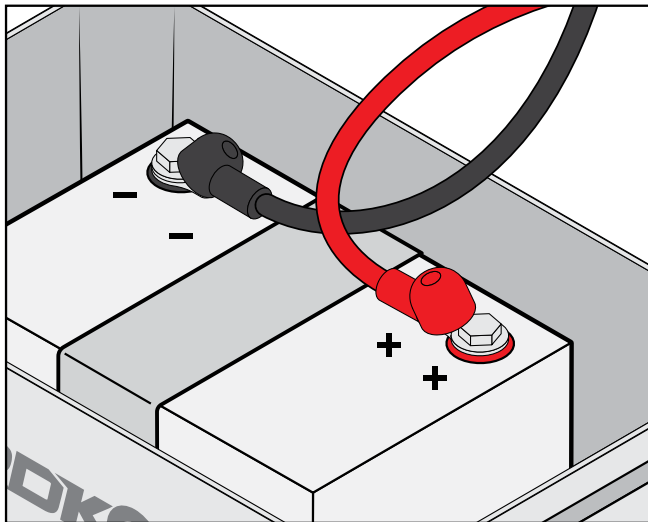
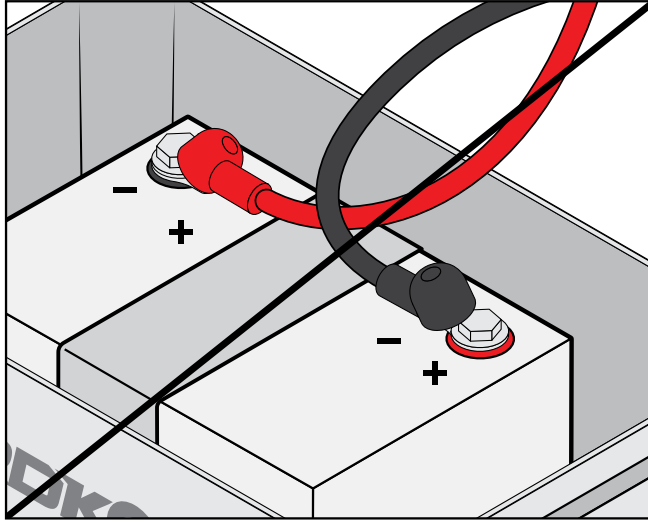


9

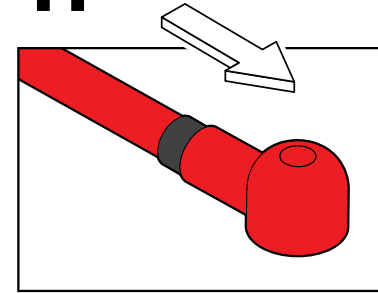


10

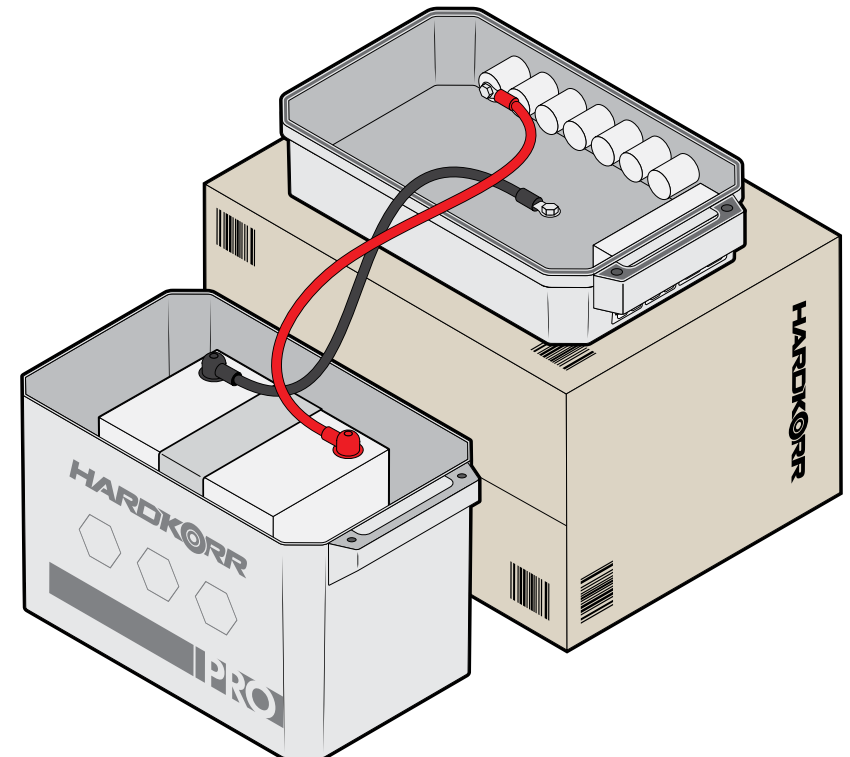
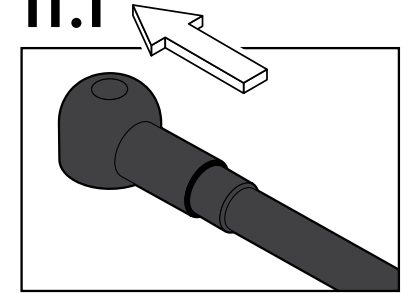




11

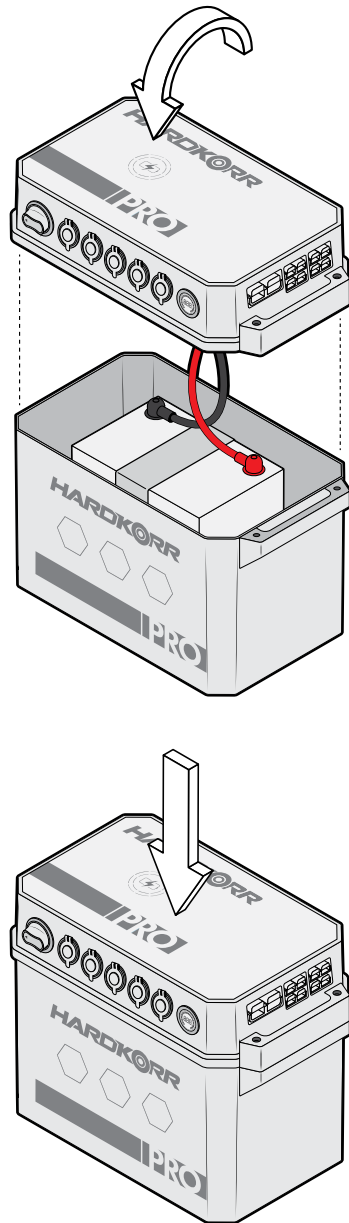


11.1

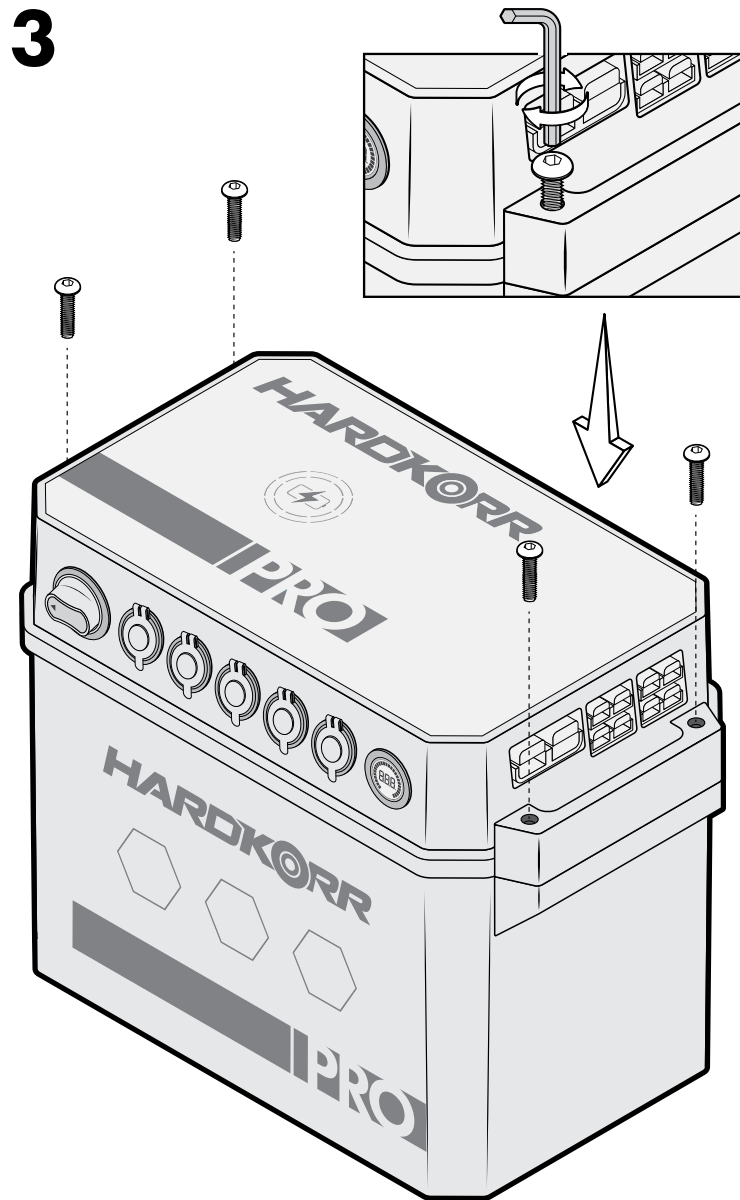


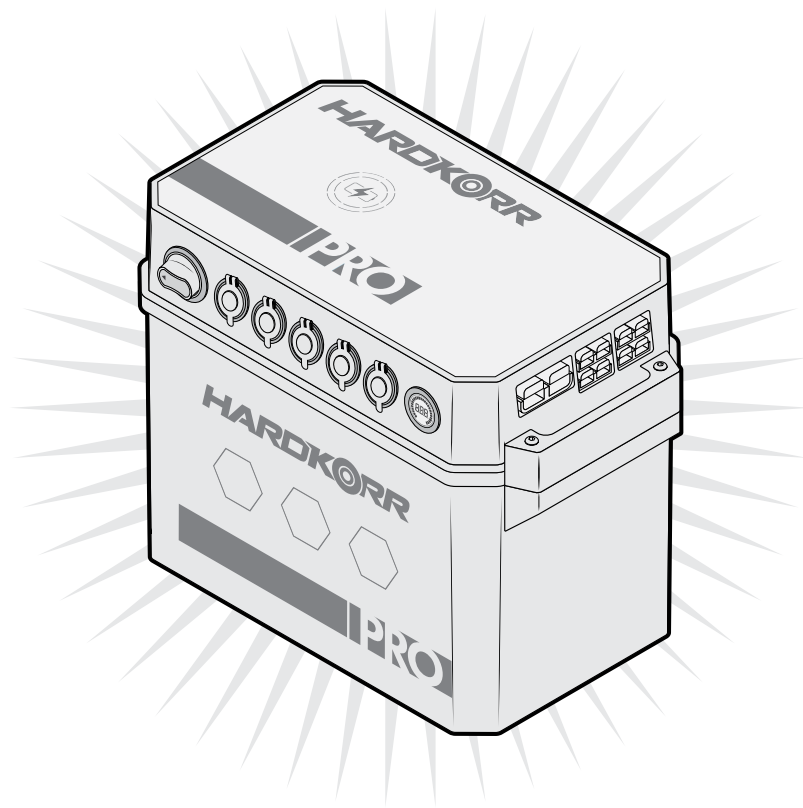


12

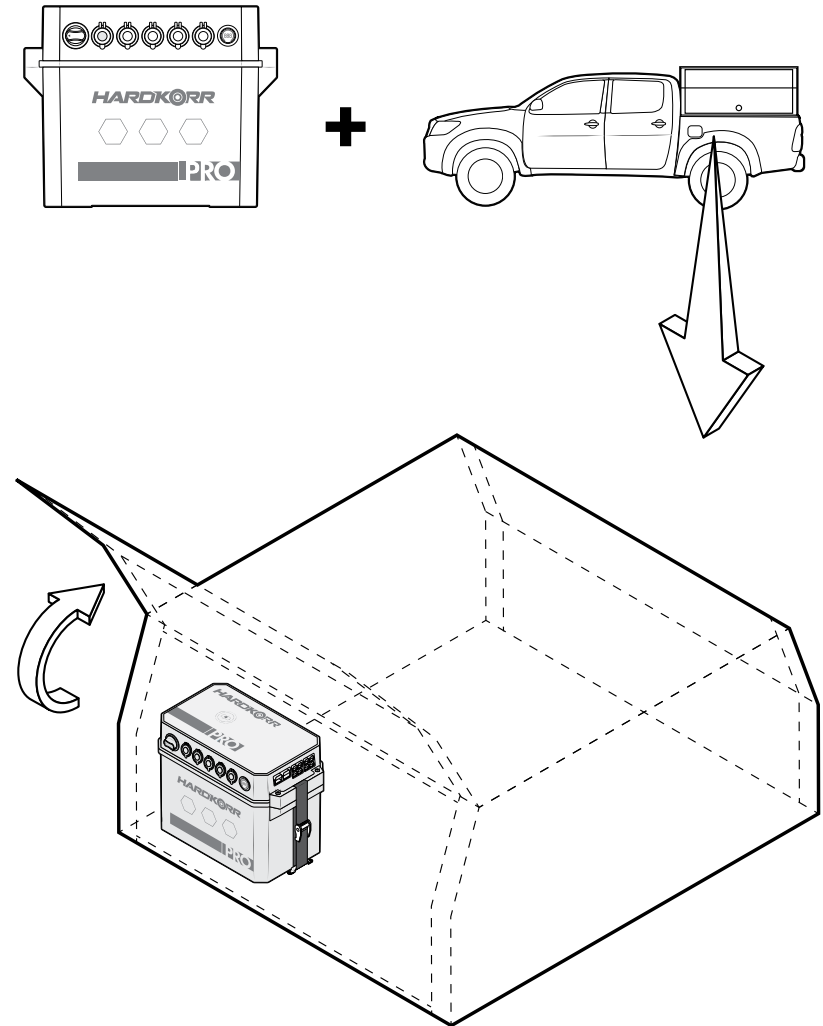


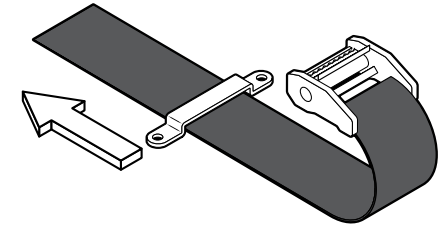
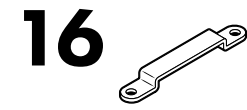
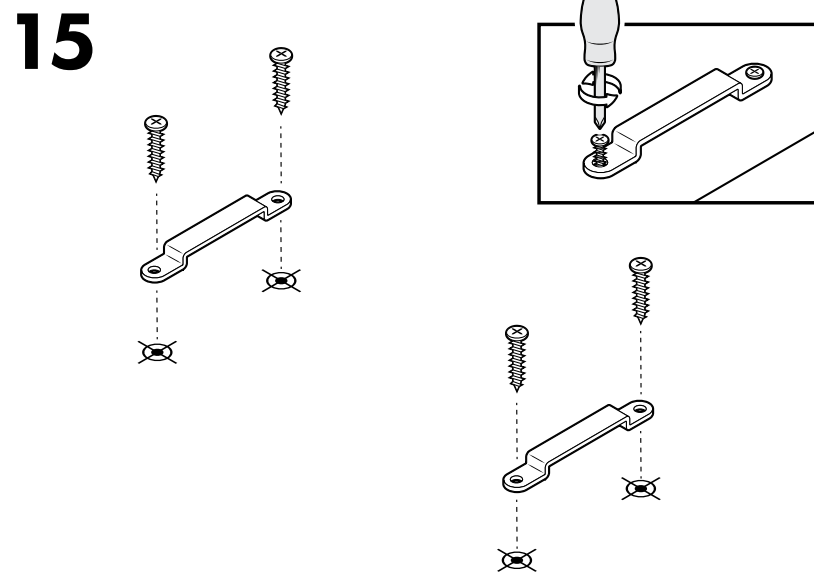
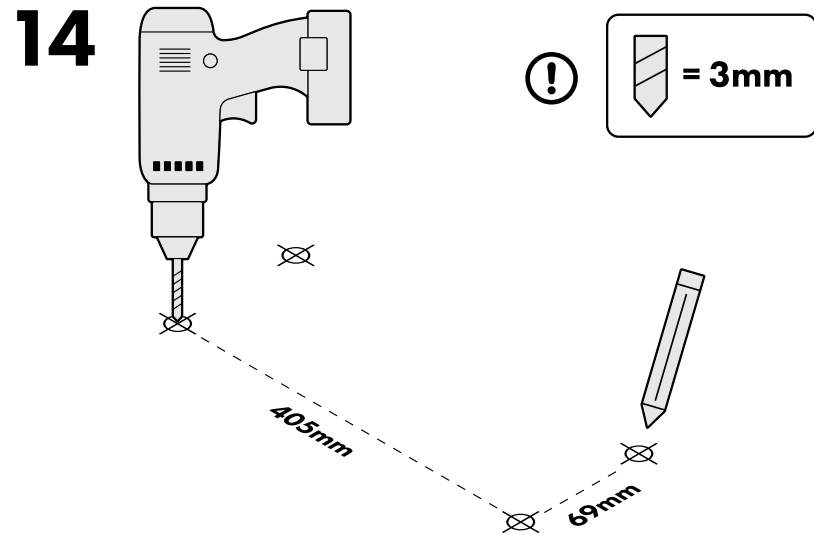
13



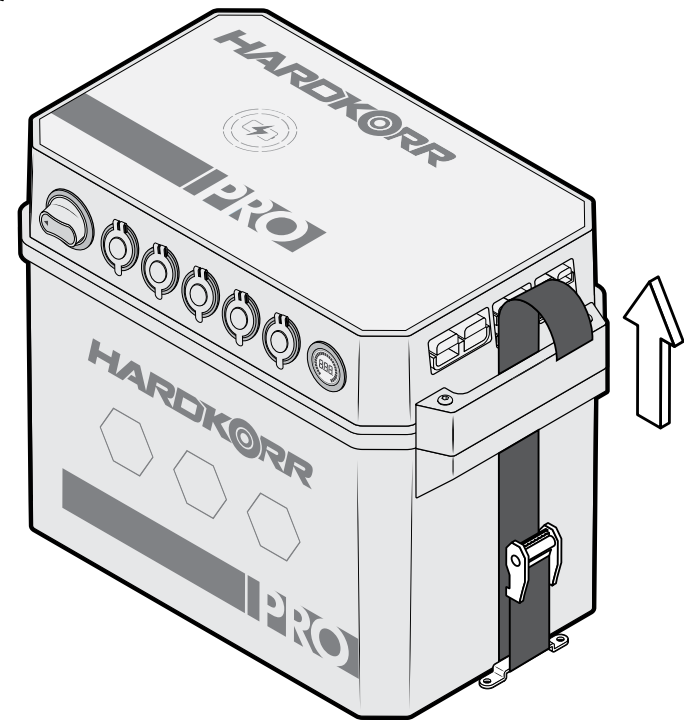


## VEHICLE MOUNTING GUIDE

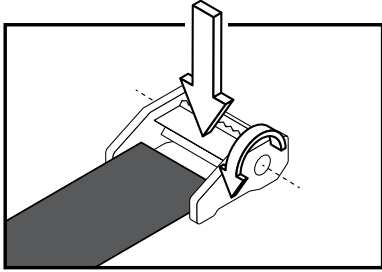




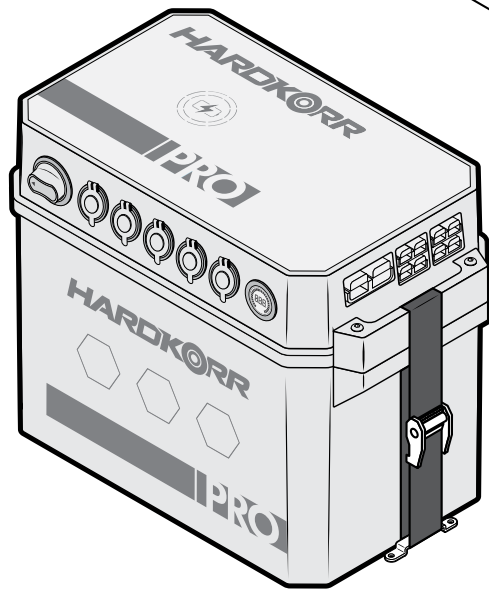
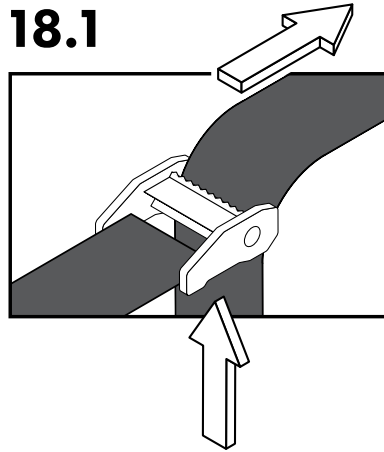
**17**



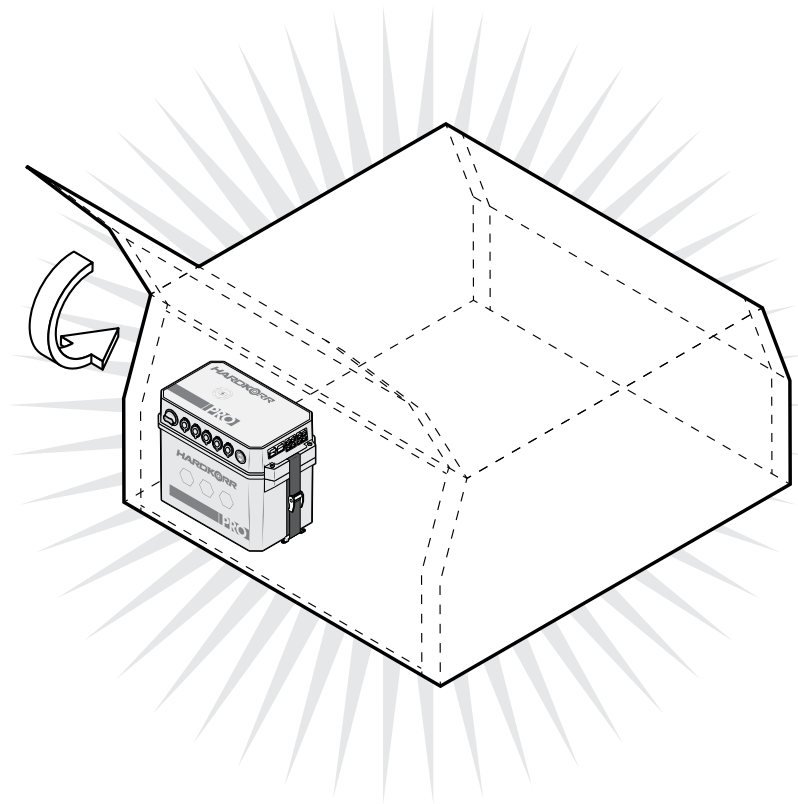
18



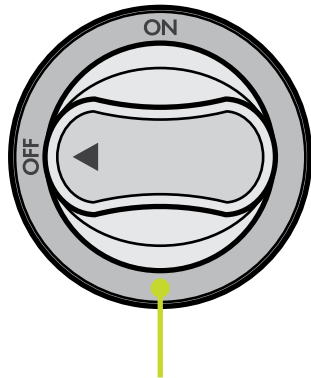
18.1



**REPEAT THIS STEP FOR  
ALTERNATE HANDLE AND STRAP**



## USING YOUR BATTERY BOX



**MAIN POWER SWITCH**



**VOLTMETER**

Turn the **main power switch** to the on position by rotating the switch clockwise. This connects the battery to the inputs/outputs. The switch must remain on while in use.

The **voltmeter** displays the voltage of the battery used in the battery box.

*This should not be used to get an accurate reading of lithium batteries. To do this, use a shunt instead.*

## FREQUENTLY ASKED QUESTIONS

**Q. What types of batteries can I charge with this battery box?**

**A.** All 12V rechargeable deep cycle batteries including AGM, Wet, Calcium, Gel and lithium.

**Q. Can I charge the battery and power a device at the same time?**

**A.** Yes

**Q. Does the Battery Main Switch need to be on at all times?**

**A.** Yes, if the battery is being either charged or discharged the Battery Main Switch must be in the on position.

**Q. How can I charge the battery box?**

**A.** The battery box can be charged from any battery charger or solar panels via the Anderson-style plug outlets. You can also use the optional Voltage Sensitive Relay (VSR) which is sold separately.

**Q. Do I need to use a regulator if charging via solar panels?**

**A.** Yes, you will need to use a regulator if you are charging the battery with solar panels.

**Q. Why have my devices suddenly stopped receiving power?**

**A.** The circuit breaker may have been tripped due to a connected device drawing too much power. Disconnect all devices and wait for the circuit breaker to reset. If the problem persists, check the fuses and replace any that are blown.

**Q. Can I use this battery box to jump start my car?**

**A.** Yes, using an Anderson-style jump-starter kit in the 175A Anderson-style plug outlet.

# HARDKORR



Our goods come with guarantees that cannot be excluded under the Australian Consumer Law. You are entitled to a replacement or refund for a major failure and compensation for any other reasonably foreseeable loss or damage. You are also entitled to have the goods repaired or replaced if the goods fail to be of acceptable quality and the failure does not amount to a major failure.

Hardkorr warrants that this product will be free from defects in material and workmanship for two years. The warranty commences on the date of purchase by the original purchaser, and is not transferable. To access the benefits of this warranty, you must retain your proof of purchase and follow any other direction we reasonably give you (e.g. completing and returning your warranty card if applicable).

## TO BEGIN A WARRANTY CLAIM:

If you believe your Hardkorr product is defective, it must be returned to Hardkorr for inspection by our warranty claims department.

1. You must have a Return Authorisation (RA) number. To get your RA number, please complete the form found on our website and wait for the warranty team to contact you.
2. Once you have an RA number, you must arrange for the product must be shipped at your own expense back to Hardkorr (keep your receipt). The address for shipment will be provided when we issue your RA number.
3. Please be sure that your RA number is clearly marked on the outside of the packaging used for shipping.

Completing the steps as mentioned will ensure a faster process of your claim, so that Hardkorr can get your product back to you as soon as possible.

Once we receive your returned product, our technicians will inspect it. We will then notify you of the outcome of your claim.

If we accept your warranty claim, we will either repair, replace or refund the goods at our discretion. We will also reimburse you for the shipping costs you incurred in sending the goods back to us. Any products that we choose to replace or refund become the property of Hardkorr.

If we do not accept your claim, we will advise you of the reason and hold your product for collection. You will need to arrange and pay for the product to be shipped back to you. If your product is not collected within 30 days of your warranty claim being finalised, we may destroy it.

Your warranty is voided if we (at our sole discretion) determine that there is evidence of one or more of the following:

**Negligence:** Improper installation, improper or extreme use, use that contravenes this instruction manual, etc.

**Abuse:** Road hazards, Damage beyond the limits of "normal wear and tear."

**Unauthorised Repair:** Repair service performed by an unauthorised service centre.

**Disassembly:** Any attempt to open, tamper with or otherwise compromise the integrity of the product.

**Consequential damage:** Damage to this product caused by the failure of another component of the vehicle or device in which this product is installed.

Note regarding exterior finishes: Hardkorr uses the highest quality materials available, but depending on location, environment and exposure, the colour of exterior surfaces can fade. We will not approve any warranty claims that relate to fade.

## DISCONTINUED ITEMS

Discontinued items that are still under warranty will be reviewed by Hardkorr. If a discontinued item is covered under warranty it may be replaced by an equivalent or superior item. If an equivalent item is not available Hardkorr will determine terms of resolution on a case-by-case basis.

LIFE  
WITHOUT  
LIMITS

**HARDKORR™**

   @HARDKORRAU

[WWW.HARDKORR.COM](http://WWW.HARDKORR.COM)