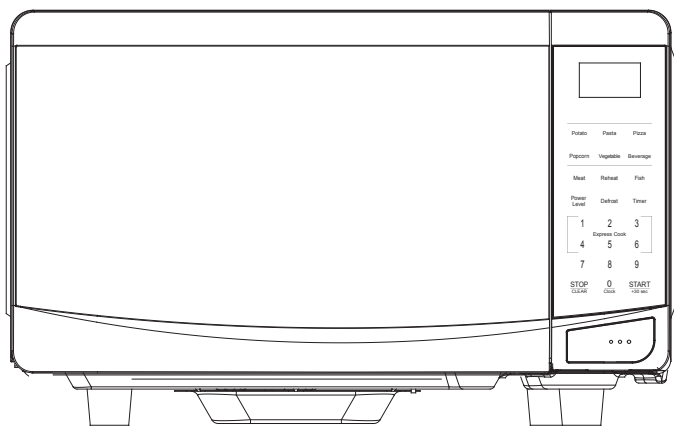




## 20L FLATBED MICROWAVE



**Part No. 053633**

**IMPORTANT SAFETY INSTRUCTIONS  
READ CAREFULLY AND KEEP FOR FUTURE REFERENCE**

# Household use only

## SAVE THESE INSTRUCTIONS

### IMPORTANT SAFEGUARDS

**WARNING:** If the door or door seals are damaged, the microwave must not be operated until it has been repaired by a trained person.

**WARNING:** It is hazardous for anyone other than a trained person to carry out any service or repair operation, which involves the removal of any cover, which gives protection against exposure to microwave energy. **WARNING:** Liquids or other food must not be heated in sealed containers as they may explode.

1. Only use utensils that are suitable for use in microwave.
2. Metallic containers for food and beverages are not allowed during microwave cooking.
3. When heating food in plastic or paper containers, keep an eye on the microwave due to the possibility of ignition.
4. The microwave is intended for heating food and beverages. Drying of food or clothing and heating of warming pads, slippers, sponges, damp cloth and similar may lead to risk of injury, ignition or fire.
5. If smoke is observed, switch off or unplug the appliance and keep the door closed in order to stifle any flames. Microwave heating of beverages can result in delayed eruptive boiling,

therefore care has to be taken when handling the container.

6. The contents of feeding bottles and baby food jars are to be stirred or shaken and the temperature is to be checked before consumption, in order to avoid burns.
7. Eggs in their shell and whole hard-boiled eggs shall not be heated in microwave since they may explode, even after microwave heating has ended.
8. Failure to maintain the microwave in a clean condition could lead to deterioration of the surface that could adversely affect the life of the appliance and possibly result in a hazardous situation.
9. The appliance must not be placed in a cabinet.
10. Care should be taken when removing containers from the appliance.
11. The appliance shall not be cleaned with a steam cleaner.
12. According to IEC safety standards, the appliance must not be installed equal or higher than 900 mm above the floor. Minimum height of free space necessary above the top surface of the microwave: 100mm.



## **CAUTION: HOT SURFACE**

13. If the supply cord is damaged, it must be replaced by the manufacturer or its service agent or a similarly qualified person in order to avoid a hazard.
14. This appliance can be used by children aged from 8 years and above and persons with reduced physical, sensory or mental capabilities or lack of experience and knowledge if they have been given supervision or instruction concerning use of the appliance in a safe way and understand the hazards involved.
15. Children shall not play with the appliance.
16. Cleaning and user maintenance shall not be made by children without supervision.
17. Group 2 Class B appliance  
Group 2 ISM equipment: group 2 contains all ISM equipment in which radio-frequency energy is intentionally generated and/or used in the form of electromagnetic radiation for the treatment of material, and EDM and arc welding equipment.  
Class B equipment is equipment suitable for use in domestic establishments and in establishments directly connected to a low voltage power supply network which supplies buildings

used for domestic purposes.

19. This product internal light source LED light on  $< 60\text{lm}$ .
20. After plug in or the appliance is not in operation, the product automatically falls into standby mode, and the time display function requires standby power  $< 0.8\text{W}$ .

## **INSTALLATION**

1. Remove all the packing. If there is a safe film over the oven, tear it off before use. Check carefully for damage. If any damages are found, please contact our National Customer Service team.
2. Microwave must be placed under dry and non-corrosive environments, kept away from heat and humidity, such as gas burner or water tank.
3. To ensure sufficient ventilation, the distance of the back of microwave to the wall should be at least 10 cm, the side to the wall should be at least 5 cm, the free distance above the top surface at least 20 cm. the distance of the microwave to the ground should be at least 85 cm.
4. The position of the microwave shall be such that it is far from the TV, Radio or antenna as picture disturbance, or noise may occur. The distance should be more than 5m.
5. The appliance must be positioned so that the plug is accessible, and must ensure a good grounding in case of leakage, ground loop can be formed to avoid electric shock.
6. The microwave must be operated with the door closed.
7. The microwave must not be placed in a cabinet. The microwave is intended to be used freestanding.

8. There could be possibility of manufacturing residue or oil remains in the microwave cavity or heat element, which could cause odour or faint smoke. Place a cup of water in the microwave, set at high power and operate several times to remove the residue or oil.

## CLEANING

### MICROWAVE CARE

#### CAUTION

The microwave should be cleaned regularly and any food deposits removed.

#### WARNING

- a. Remove the power cord from the wall outlet before cleaning. Don't immerse the appliance in water or other fluids when cleaning.
- b. Failure to maintain the microwave in a clean condition could lead to deterioration of the surface that could adversely affect the life of the appliance and possibly result in a hazardous situation.
- c. Never use hard detergent, gasoline, abrasive powder or metal brush to clean any part of the appliance.
- d. Do not remove the waveguide cover.
- e. When the microwave has been used for a long time, there may be some odour, following 3 methods can help reduce the odour:
  - 1) Place several lemon slices in a cup, then heat with high micro power for 2-3 min.
  - 2) Place a cup of red tea in microwave, then heat with high micro power.

3) Put some orange peel into microwave, and then heat them with high micro power for 1 minute.

- f. When the product is not used, it should be placed in dry and ventilated areas.

 **WARNING**

Details how to clean surfaces in contact with food:

After use wipe the waveguide cover with a damp cloth, followed by dry cloth to remove any food splashes and grease. Built-up grease may overheat and causes smoke or catch fire.

## **TIPS FOR CLEANING**

Details for cleaning door seals, cavity and adjacent parts:

### **Exterior:**

Wipe the enclosure with a dampened soft cloth

### **Door:**

Using a dampened soft cloth, wipe clean the door and window

Wipe the door seals and adjacent parts to remove any spill or spatter

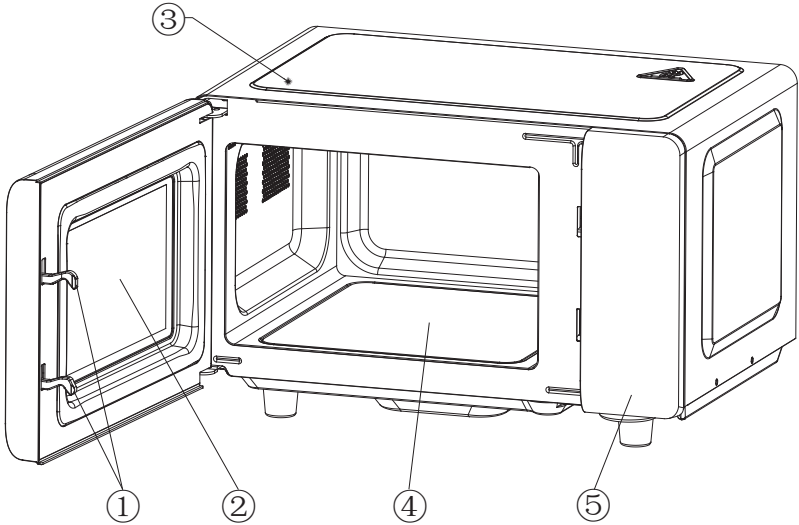
Wipe the control panel with a slightly dampened soft cloth

### **Interior walls:**

Wipe clean the interior surfaces with a dampened soft cloth

Wipe clean the waveguide cover to remove any food residue

# PRODUCT INSTRUCTION



**1) Door lock**

Microwave door must be properly closed in order for it to operate

**2) Viewing window**

Allow user to see the cooking status

**3) Housing**

**4) Borosilicate board**

**5) Control panel**

See below in details (the control panel is subject to change without prior notice)

**6) Waveguide cover**

It is inside the microwave, next to the wall of control panel.

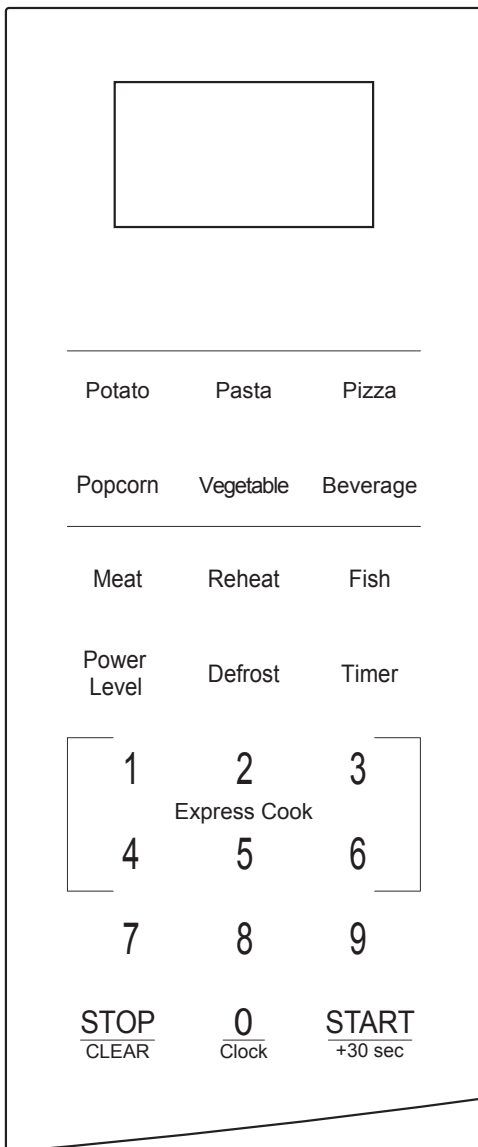


**WARNING**

Never remove the waveguide cover



# OPERATION OF CONTROL PANEL



## 1. BEFORE COOKING

The display lights up when plugged in power supply, then enter the standby state and display shows 1:00.

## 2. MICROWAVE FUNCTION

There are ten microwave power levels, 100P, 90P, 80P, 70P, 60P, 50P, 40P, 30P, 20P and 10P, respectively. Press the “Power Level” button continuously and select the desired microwave power. Press 0~9 number buttons to input the cooking time, the maximum time that can be input is 99:99. After entering the cooking time, press “START/+30s” button to start work. There is a buzzer sound to indicate operation completed.

HIGH	100% and power output	90%	(Applicable for quick and thorough cooking)
M.High	80% and power output	70%	(Applicable for medium express cooking)
Med	60% and power output	50%	(Applicable for steaming food)
M.Low	40% and power output	30%	(Applicable for defrosting food)
LOW	20% and power output	10%	(Applicable for keeping warm)

### CAUTION

- a. The max time which can be set is 99 minutes and 99 seconds.
- b. Never operate the microwave empty.
- c. At the maximum microwave power, the microwave will automatically lower the power after a certain time

to lengthen the service life.

- e. If you turn the food during operation, press the **START/+30s** button once and the preset cooking procedure will continue.
- f. If you intend to remove the food before the preset time, you must press **STOP** button once to clear the preset procedure to avoid unintended operation during next use.

### 3. DEFROST

There are two defrost mode, dEF1 and dEF2, respectively. dEF1 for defrost by weight and dEF2 for defrost by time. Press “Defrost” button to select defrost by weight or by time, and the display screen corresponding displays "dEF1" or "dEF2". Press 0~9 number buttons to input the food weight or defrosting time. The maximum weight that dEF1 can be entered is 1500g, and the maximum time that dEF2 can be entered is 99:99. After entering, press the “START/+30s” button start to work. There is a buzzer sound to indicate operation completed. The dEF1 defrost mode by weight will have beeping sound to prompt the food to be turned over during defrosting.

### CAUTION

- a. It is necessary to turn over the food during operation to obtain uniform effect.

- c. If the food can be cut by knife, the defrosting process can be considered completed.
- d. Microwave penetrates around 4cm into most food
- e. Defrosted food should be consumed as soon as possible, it is not advised to put back to fridge and freeze again.

#### 4. AUTO COOKING

There are eight automatic menus, potato, pasta, pizza, popcorn, vegetable, beverage, meat and fish respectively. Select the desired auto menu button, press the corresponding menu button and select the desired food weight, and the display shows the corresponding weight. After selecting the cooking weight, press “START/+30s” button to start work. There is a buzzer sound to indicate operation completed.

Display	Menu	Cooking Portion
A.1	Potato	The optional weights are 250g, 500g and 750g.
A.2	Pasta	The optional weights are 50g, 100g and 150g.
A.3	Pizza	The optional weights are 200g and 400g.
A.4	Popcorn	The optional weight is 100g.
A.5	Vegetable	The optional weights are 200g, 400g and 600g.
A.6	Beverage	The optional weights are 1 cup, 2 cups or 3 cups, each one about 250ml.
A.7	Meat	The optional weights are 200g, 400g and 600g.
A.8	Fish	The optional weights are 200g, 400g and 600g.

## CAUTION

- a. The temperature of food before cooking should be at be 20-25°C. Higher or lower temperature of the food before cooking would require increase or decrease of cooking time.
- b. The temperature, weight and shape of food will largely influence the cooking effect. If there are any deviations to the cooking portions in the above menu, you can adjust the cooking time for best result.

## 5. TIMER

In standby mode, press this button to enter the setting interface, and the countdown function icon and "0:00" will be displayed on the display screen. Press the 0 ~ 9 number buttons to input the time. The maximum time that can be input is 99:99. After setting the time, press the "START/+30s" button. There is a buzzer sound to indicate operation completed.

## 6. REHEAT

Reheat function is mainly to facilitate users to heat food according to the weight of food, press "Reheat" button continuously, select the appropriate weight of food, the weights selection are 200g, 400g, 600g, 800g and 1000g. After selecting the weight, press "START/+30s" There is a buzzer sound to indicate operation completed.

## 7. EXPRESS COOK

7.1 In standby mode, you can directly press the 1~6 number buttons to start the microwave. The working time is 1~6 minutes, that is, press 1 to operate for 1 minute, press 2 to operate for 2 minutes etc. After selecting the time, press "START/+30s" There is a buzzer sound to indicate operation completed.

**7.2** In standby mode, after putting food in and closing the door, press the “START/+30s” . The default operating time is 30 seconds. During operation, press the “START/+30s” button once for 30 seconds. There is a buzzer sound to indicate operation completed

## **8. 0/Clock**

The clock function and "0" button are combined in one button. The clock is 24-hour system. The operation of the clock function is as follows:

In standby mode, press and hold down the “0/Clock” button for more than 3 seconds to enter the clock setting interface, press the 0 ~ 9 number buttons to input the clock time directly. After pressing 4 number buttons consecutively, confirm the set time directly and exit the clock setting mode at the same time. If you do not press 4 times, you need to press the "START/+30s" button to confirm the set time and exit the clock setting mode at the same time.

## **9. STOP/CLEAR**

In the process of selecting cooking settings, press “STOP/CLEAR” button to cancel the settings and return to standby mode. When microwave is in operation, press “STOP/CLEAR” button to pause. In the standby mode, press “STOP/CLEAR” button again to cancel the function and return to standby mode.

## **10. START/+30s**

After setting the cooking time or food weight, press “START/+30s” . During operation press “START/+30s” one time to

increase cooking time by 30 seconds, Cooking time is not adjustable when using menu or weight defrost function. When cooking is paused, press “START/+30s” button to continue cooking .

## 11. CHILD LOCK FUNCTION

Use this feature to lock the control panel when you are cleaning or to prevent children from using the microwave when unsupervised. All the buttons are inoperable in this mode.

- 1) Set lock: Hold **STOP/CLEAR** button about 3 seconds.
- 2) Cancel lock: Hold **STOP/CLEAR** button about 3 seconds.

### UTENSILS GUIDELINE

It is strongly recommended to use containers which are suitable and safe for microwave cooking. Generally speaking, the containers which are made of heat-resistant ceramic, glass or plastic are suitable for microwave cooking. Never use the metal containers for microwave cooking as spark is likely to occur. See table below.

Material of container	Microwave	Notes
Heat-resistant ceramic	Yes	Never use ceramics which are decorated with metal rim or glazed
Heat-resistant plastic	Yes	Can not be used for long microwave cooking
Heat-resistant glass	Yes	

Plastic film	Yes	It should not be used when cooking meat as the over-temperature may damage the film
--------------	-----	---

## COOKING TIPS

The following factors may affect the cooking result:

### **Food arrangement**

Place thicker areas towards outside of dish, the thinner part towards the centre and spread it evenly. Do not overlap if possible.

### **Cooking time length**

Start cooking with a short time setting, evaluate after time out and extend accordingly. Over cooking may result in smoke and burns.

### **Cooking food evenly**

Food such as chicken, hamburger or steak should be at least turned once during cooking.

Depending on the type of food, if applicable, stir the dish once or twice during cooking

### **Allow standing time**

After cooking is completed, leave the food in the microwave for an adequate length of time, this allows it to cook completely and cool gradually

### **Whether the food is done**

Color and hardness of food help to determine if it is done, these include:



- Steam coming out from all parts of food, not just the edge
- Joints of poultry can be moved easily
- Pork or poultry shows no cut of blood
- Fish is opaque and can be sliced easily with a fork

### **Microwave safe plastic wrap**

When cooking food with high fat content, do not allow the plastic wrap to come into contact with food as it may melt

### **Microwave safe plastic cookware**

Some microwave safe plastic cookware might not be suitable for cooking foods with high fat and sugar content. Also, the preheating time specified in the cooking instruction manual must not be exceeded

## **MAINTENANCE**

### **SERVICING**

Please check the following before calling for technical assistance.

1. Place one cup of water (approx.150ml) in a glass in the microwave and close the door securely. Oven lamp should go off if the door is closed properly. Let the microwave operate for 1 min.

2. Does the oven lamp light?

3. Does the cooling fan work?

(Put your hand over the rear ventilation openings.)

4. Is the water inside the oven hot?

If “NO” is the answer to any of the above questions, please check your wall socket and the fuse.

If both the wall socket and the fuse are functioning properly, contact our National Customer Service team for further assistance.

## **SERVICING SAFEGUARDS**

### **Caution: MICROWAVE RADIATION**

1. The high voltage capacitor remains charge after disconnection; short the negative terminal of H. V capacitor to the microwave chassis (use a screwdriver) to discharge before touching.

2. During servicing below listed parts are liable to be removed and give access to potentials above 250V to earth.

- Magnetron
- High voltage transformer
- High voltage capacitor
- High voltage diode
- High voltage fuse

3. The following conditions may cause undue microwave exposure during servicing.

Improper fitting of magnetron;

Improper matching of door interlock, door hinge and door;

Improper fitting of switch support;

Door, door seal or enclosure has been damaged.

## Correct Disposal of this product



This marking indicates that this product should not be disposed with other household wastes throughout the EU. To prevent possible harm to the environment or human health from uncontrolled waste disposal, recycle it responsibly to promote the sustainable reuse of material resources. To return your used device, please use the return and collection systems or contact the retailer where the product was purchased. They can take this product for environmental safe recycling.

## Warranty

This product is covered under a 12 months warranty period. Kindly refer to the warranty policy terms and conditions available on Camec website.

For further information or assistance, please contact our National Customer Support Team or visit Camec website.

1. Australia on 1300 422 632 or [camec.com.au](http://camec.com.au)
2. New Zealand on 09 257 2419 or [camec.co.nz](http://camec.co.nz)

For any retail or trade enquiries, please contact our Sales office.

### **CAMEC VICTORIA**

47-63 Remington Drive  
Dandenong South VIC 3175

23-27 Freight Drive  
Somerton VIC 3062  
Phone: 1300 422 632

### **CAMEC NEW ZEALAND**

44 Montgomerie Road  
Mangere Auckland 2022  
Phone: (09) 2572419

### **CAMEC NEW SOUTH WALES**

Units 2 & 3 No. 1 Koonya Circuit  
Caringbah NSW 2229  
Phone: (02) 9525 2588

### **CAMEC QUEENSLAND**

Building 3 Archerfield Industrial  
Park Cnr Kerry & Beaudesert  
Road Archerfield QLD 4108  
Phone: (07) 3710 9000

### **CAMEC WESTERN AUSTRALIA**

190 Welshpool Road  
Welshpool WA 6106  
Phone: (08) 9351 0044