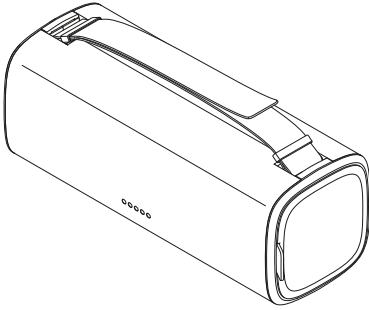


↔ DOMETIC

# POWER & CONTROL

# PORTABLE BATTERY PACK



## PLB15

<b>EN</b>	<b>Portable Battery Pack</b> Operating manual.....	3	<b>CS</b>	<b>Přenosný akumulátor</b> Návod k obsluze.....	141
<b>DE</b>	<b>Tragbares Batteriepack</b> Bedienungsanleitung.....	13	<b>HU</b>	<b>Hordozható töltőállomás</b> Használati utasítás.....	152
<b>FR</b>	<b>Pack de batteries portable</b> Manuel d'utilisation.....	24	<b>HR</b>	<b>Prijenosni paket baterija</b> Upute za rukovanje.....	163
<b>ES</b>	<b>Batería portátil</b> Instrucciones de uso.....	35	<b>TR</b>	<b>Taşınabilir Akü Paketi</b> Kullanma Kılavuzu.....	173
<b>PT</b>	<b>Bateria portátil</b> Manual de instruções.....	46	<b>SL</b>	<b>Prenosna baterija</b> Navodilo za uporabo.....	183
<b>IT</b>	<b>Gruppo batterie portatile</b> Istruzioni per l'uso.....	57	<b>RO</b>	<b>Accumulator portabil</b> Instrucţiuni de operare.....	193
<b>NL</b>	<b>Draagbaar accupack</b> Gebruiksaanwijzing.....	68	<b>BG</b>	<b>Преносим акумулаторен пакет</b> Инструкция за експлоатация.....	204
<b>DA</b>	<b>Transportabel batteripakke</b> Betjeningsvejledning.....	79	<b>ET</b>	<b>Kaasaskantav akukomplekt</b> Kasutusjuhend.....	215
<b>SV</b>	<b>Bärbart batteripaket</b> Bruksanvisning.....	89	<b>EL</b>	<b>Φορητό πακέτο μπαταριών</b> Οδηγίες χειρισμού.....	225
<b>NO</b>	<b>Bærbar batteripakke</b> Bruksanvisning.....	99	<b>LT</b>	<b>Nešiojamasis akumulatoriaus blokas</b> Naudojimo vadovas.....	237
<b>FI</b>	<b>Kannettava akkupakka</b> Käyttöohje.....	109	<b>LV</b>	<b>Pārnēsājams akumulatora bloks</b> Lietošanas rokasgrāmata.....	247
<b>PL</b>	<b>Przenośny zestaw akumulatorowy</b> Instrukcja obsługi.....	119	<b>AR</b>	257..... مجموعة البطارية المحمولة دليل التشغيل	
<b>SK</b>	<b>Prenosná akumulátorová jednotka</b> Návod na obsluhu.....	130			

## **Copyright**

© 2024 Dometic Group. The visual appearance of the contents of this manual is protected by copyright and design law. The underlying technical design and the products contained herein may be protected by design, patent or pending patent. The trademarks mentioned in this manual belong to Dometic Sweden AB. All rights are reserved.

## English

1	Important notes.....	3
2	Explanation of symbols.....	3
3	Safety instructions.....	4
4	Scope of delivery.....	5
5	Intended use.....	6
6	Technical description.....	6
7	Operation.....	7
8	Cleaning and maintenance.....	10
9	Storing.....	10
10	Troubleshooting.....	10
11	Disposal.....	11
12	Warranty.....	11
13	Technical data.....	11

## 1 Important notes

Please read these instructions carefully and follow all instructions, guidelines, and warnings included in this product manual in order to ensure that you install, use, and maintain the product properly at all times. These instructions **MUST** stay with this product.

By using the product, you hereby confirm that you have read all instructions, guidelines, and warnings carefully and that you understand and agree to abide by the terms and conditions as set forth herein. You agree to use this product only for the intended purpose and application and in accordance with the instructions, guidelines, and warnings as set forth in this product manual as well as in accordance with all applicable laws and regulations. A failure to read and follow the instructions and warnings set forth herein may result in an injury to yourself and others, damage to your product or damage to other property in the vicinity. This product manual, including the instructions, guidelines, and warnings, and related documentation, may be subject to changes and updates. For up-to-date product information, please visit [documents.dometic.com](http://documents.dometic.com).

## 2 Explanation of symbols



### **WARNING!**

Indicates a hazardous situation that, if not avoided, could result in death or serious injury.



### **CAUTION!**

Indicates a hazardous situation that, if not avoided, could result in minor or moderate injury.



### **NOTICE!**

Indicates a situation that, if not avoided, can result in property damage.



**NOTE** Supplementary information for operating the product.

## 3 Safety instructions

### General safety



#### **WARNING! Electrocuting hazard**

- Do not operate the device if it is visibly damaged.
- The device may only be repaired by qualified personnel. Improper repairs can lead to considerable hazards.
- Do not disassemble the device.
- Do not modify or adapt any of the components in any way.
- Only use accessories and spare parts that are recommended by the manufacturer.
- Do not use the device in wet conditions or submerge in any liquid. Store in a dry place.
- Switch off the device and disconnect it from the power supply before each cleaning or maintenance and after every use.



#### **WARNING! Risk of injury**

Batteries contain aggressive and caustic acids. Avoid battery fluid coming into contact with your body. If your skin does come into contact with battery fluid, wash that part of your body thoroughly with water. If you sustain any injuries from acids, contact a doctor immediately.



#### **WARNING! Health hazard**

- Do not open or damage batteries or allow them to enter the environment, as they contain toxic and environmentally harmful heavy metals.
- This device can be used by children aged from 8 years and above and persons with reduced physical, sensory or mental capabilities or lack of experience and knowledge if they have been given supervision or instruction concerning use of the device in a safe way and understand the hazards involved.
- **Electrical devices are not toys.** Always keep and use the device out of the reach of very young children.
- Children must be supervised to ensure that they do not play with the device.
- Cleaning and user maintenance shall not be made by children without supervision.



#### **NOTICE! Damage hazard**

- Before start-up, check that the voltage specification on the data plate is the same as that of the power supply.
- Ensure that other objects **cannot** cause a short circuit at the contacts of the device.
- Ensure that the negative and positive poles **never** come into contact.
- Do not use the cables as a handle.

### Operating the device safely



#### **CAUTION! Explosion hazard**

- Do **not** operate the device under the following conditions:
  - In salty, wet or damp environments
  - In the vicinity of corrosive fumes
  - In the vicinity of combustible materials

In areas where there is a risk of gas or dust explosion

- Never attempt to charge a frozen or defective battery. Place the battery pack in a frost-free area and wait until the battery has acclimatised to the ambient temperature.
- Do not place the device near heat sources (heaters, direct sunlight, gas ovens, etc.).
- Do not smoke, use an open flame, or cause sparking near the battery pack.
- Do not leave the device unattended when in use.



#### **CAUTION! Electrocutation hazard**

- Before starting the device ensure that the power supply cable and the plug are dry and the plug is free from rust or dirt.
- When working on electrical systems ensure that there is somebody close at hand who can help in emergencies.
- Lay the cables so that they cannot be damaged by sharp edges, doors, or the hood. Do **not** lay any cable so that it is heavily kinked. Crushed cables can lead to serious injury.
- Do not disconnect any cables when the device is still in use.



#### **CAUTION! Fire hazard**

- Do not drop, hit, or apply excessive force to the device to avoid damage to external and internal parts.
- Do not place the device near flammable materials.



#### **CAUTION! Risk of injury**

When positioning the device ensure that all cables are suitably secured to avoid any form of trip hazard.



#### **NOTICE! Damage hazard**

- Ensure that the air inlets and outlets of the device are not covered.
- Ensure a good ventilation.
- Set up the device in a dry location where it is protected against splashing water.
- Never pull the plug out of the socket by the cable.
- Loop the cable loosely when storing, tight wrapping may damage the cable and internal parts.
- Avoid deep discharge of the device.

## **4 Scope of delivery**

<b>Quantity</b>	<b>Description</b>
1	Portable battery pack
1	Charging cable (USB-C to USB-C)
1	Car charging cable (cigarette lighter port to DC5525)
1	Short operating manual
1	Operating manual (digital only)

## 5 Intended use

The portable battery pack is intended for charging digital mobile devices (e.g., cell phones, tablets, laptops, cameras, etc.), or operation of 12 V devices (e.g., air pumps, cooling boxes, and other outdoor equipment), and for use as a flashlight.

The portable battery pack is suitable for outdoor use, e.g., touring.

The portable battery pack is **not** suitable for

- Parallel connection with other portable battery packs
- Commercial use

This product is only suitable for the intended purpose and application in accordance with these instructions.

This manual provides information that is necessary for proper installation and/or operation of the product. Poor installation and/or improper operating or maintenance will result in unsatisfactory performance and a possible failure.

The manufacturer accepts no liability for any injury or damage to the product resulting from:

- Incorrect installation, assembly or connection, including excess voltage
- Incorrect maintenance or use of spare parts other than original spare parts provided by the manufacturer
- Alterations to the product without express permission from the manufacturer
- Use for purposes other than those described in this manual

Dometic reserves the right to change product appearance and product specifications.

## 6 Technical description

### General description

The battery pack is equipped with a lithium iron phosphate battery and an integrated LED flashlight.

Digital mobile devices can be charged at one of the two USB outputs (**2** and **4**, Fig. **1** on page 7). In addition, the device can be used to operate 12 V devices via the DC output (connection for car charging adapter, **5**, Fig. **1** on page 7).

The portable battery pack can be charged via the USB-C input (**2**, Fig. **1** on page 7) or the DC input (**6**, Fig. **1** on page 7).

The charging process and the current state of charge are displayed by the battery status indicator (**8**, Fig. **1** on page 7). The battery status indicator is activated as soon as:

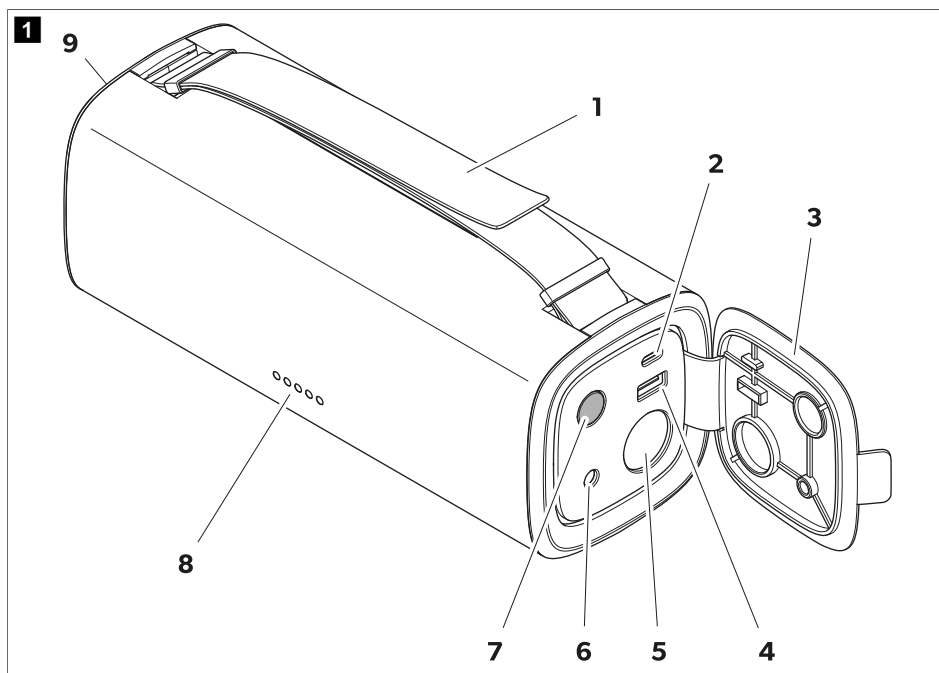
- The battery pack is being charged.
- A load is connected to the battery pack.
- The flashlight is switched on.

The portable battery pack has the following protective mechanisms:

- High and low temperature protection
- Overcurrent protection
- Overvoltage and undervoltage protection at the inputs
- Overvoltage protection at the outputs

- Short circuit protection
- Overcharge and deep discharge protection

## Description of the device



No.	Explanation	No.	Explanation
1	Adjustable carrying handle	6	DC5525 input (12 V ... 32 V)
2	USB-C input/ output (5 V/3 A, 9 V/3 A, 12 V/3 A, 15 V/3 A, 20 V/3 A)	7	On/Off button
3	Device lid	8	LED battery status indicator
4	USB-A output (5 V/2.4 A, 9 V/2 A, 12 V/1.5 A)	9	LED flashlight
5	DC output (12 V/15 A)		

## 7 Operation



### NOTICE! Damage hazard

Charge the battery pack after each use.



**NOTE** Charging digital mobile devices, operating 12 V devices and charging the battery pack are possible at the same time.

## Before first use

- > Charge the battery pack before first use until it is fully charged (see chapter Charging the battery pack on page 8).

## Charging the battery pack



### NOTICE! Damage hazard

- Provide sufficient ventilation and ensure that the heat generated during the charging process can be dissipated from the battery pack.
- Ensure that the open-circuit voltage (Voc) of the vehicle battery or solar module does not exceed 32 V.

The required charging time of the battery pack depends on the selected charging source and charging input. The portable battery pack can be charged up to 60 W via the USB-C input or up to 100 W via the DC input. When charging via USB-C input and DC input simultaneously the charging power can be increased up to 120 W.


The DC input supports both charging by vehicle batteries and charging by solar power.

1. Place the battery pack on a firm and heat-resistant base.
  2. Open the device lid to access the connections and controls.
  3. Connect a suitable power source (e.g., vehicle battery, solar panel) to the DC input or the USB-C input of the battery pack.
- ✓ The battery status indicator shows the state of charge (see chapter Checking the state of charge on page 8). The LED for the next higher charging level is flashing until the full charging level is reached.

The charging process stops automatically when the battery pack is fully charged. All LEDs of the battery status indicator are lit.

4. After charging, remove all charging cables and close the device lid.

## Checking the state of charge

- > Press the  button to activate or deactivate the battery status indicator (8, Fig. 1 on page 7).



### NOTE

- The battery status indicator automatically switches off if no load and no charging source are connected.
- As soon as the state of charge falls below 5 %, LED 1 starts flashing to indicate low battery status.

- ✓ The battery status indicator shows the state of charge between 0 % (discharged) and 100 % (fully charged).

Battery status indicator					Battery capacity
LED 1	LED 2	LED 3	LED 4	LED 5	
○	○	○	○	○	0 %
●	○	○	○	○	5 ... 20 %
●	●	○	○	○	21 ... 40 %
●	●	●	○	○	41 ... 60 %



Battery status indicator					Battery capacity
LED 1	LED 2	LED 3	LED 4	LED 5	
●	●	●	●	○	61 ... 80 %
●	●	●	●	●	81 ... 100 %

## Using the LED flashlight





### CAUTION! Risk of injury

Avoid looking directly into the LED flashlight as this may damage your eyes.



**NOTE** The flashlight is adjustable in 2 color temperatures: Neutral white (at 4300 K) and cool white (at 6400 K).

1. Open the device lid to access the connections and controls.
2. Press and hold the  button for 3 s to turn the flashlight on or off.
- ✓ The battery status indicator is lit.
3. Press the  button to switch between the color temperatures.



**NOTE** If loads or charging sources are connected, the cool white color temperature is not available and the flashlight is set to neutral white automatically.

4. Hold the flashlight by the carrying handle. The carrying handle can be adjusted to the required length.
5. After use, close the device lid.

## Charging digital devices via USB

The USB-C output has a charging power of 60 W, the USB-A output has a charging power of 18 W.



### NOTE

- Charging of digital mobile devices is not possible if the battery pack is in low battery status (state of charge < 5 %).
- Two digital mobile devices can be charged at the same time by using both USB outputs.

1. Open the device lid to access the connections and controls.
2. Select a charging cable with a suitable adapter depending on the USB output to be used, and connect the battery pack to the digital device.
- ✓ The digital device is automatically charged via the battery pack. The battery status indicator shows the remaining state of charge of the battery pack.
3. After charging, remove all charging cables and close the device lid.

## Operating 12 V devices



### NOTICE! Damage hazard

Provide sufficient ventilation and ensure that the heat generated can be dissipated from the battery pack.



**NOTE** Operation of 12 V devices is not possible as soon as the battery pack is in low battery status (state of charge < 5 %).

The DC output provides a mobile power supply with up to 150 W continuous power.

1. Place the battery pack on a firm and heat-resistant base.
  2. Open the device lid to access the connections and controls.
  3. Connect the power cable of the 12 V device to the DC output of the battery pack.
- ✓ The 12 V device is automatically supplied with power for operation via the battery pack. The battery status indicator shows the remaining state of charge of the battery pack.
4. After use, disconnect the power cable of the 12 V device and close the device lid of the battery pack.

## 8 Cleaning and maintenance



### **WARNING! Electrocutation hazard**

Unplug the device from the power supply before each cleaning and maintenance.



### **NOTICE! Damage hazard**

- Never clean the device under running water or in dish water.
  - Do not use sharp or hard objects, abrasive cleaning agents, or bleach during cleaning as these can damage the device.
- > Occasionally clean the device with a soft, damp cloth.
- > Regularly check live cables or lines for insulation faults, breaks, or loose connections.

## 9 Storing



### **NOTICE! Damage hazard**

- Only store the battery pack fully charged. Recharge the stored battery pack regularly and at least every 3 – 6 months, even when not in use.
  - Observe the specified optimum storage temperature as long-term storage at high and low temperatures can impair the service life and performance of the battery pack.
- > Store the battery pack in a well-ventilated, dry place where it is protected from dust and dirt.
- > Regularly check the state of charge of the battery pack (see chapter Checking the state of charge on page 8).

## 10 Troubleshooting

Problem	Possible cause	Suggested remedy
The battery pack does not work. The  button does not respond.	The battery pack is deeply discharged.	Charge the battery pack (see chapter Charging the battery pack on page 8).

Problem	Possible cause	Suggested remedy
	Insulation faults, breaks, or loose connections at the live cables.	<ul style="list-style-type: none"> <li>&gt; Check live cables for insulation faults, breaks, or loose connections.</li> <li>&gt; If you cannot find an error, contact an authorized service agent.</li> </ul>
	Overcurrent protection of the battery pack triggered. Short circuit protection of the battery pack triggered.	<ol style="list-style-type: none"> <li>1. Remove the loads from the USB-C, USB-A, and DC outputs.</li> <li>2. Observe the maximum load of the outputs (see chapter Technical data on page 11) when re-connecting the devices.</li> <li>3. If charging does not restart immediately after connecting devices, charge the battery pack to reactivate it (see chapter Charging the battery pack on page 8).</li> </ol>

## 11 Disposal



Recycling packaging material: Place the packaging material in the appropriate recycling waste bins wherever possible.



Recycling products with non-replaceable batteries, rechargeable batteries, or light sources:

- If the product contains any non-replaceable batteries, rechargeable batteries, or light sources, you don't have to remove them before disposal.
- If you wish to finally dispose of the product, ask your local recycling center or specialist dealer for details about how to do this in accordance with the applicable disposal regulations.
- The product can be disposed free of charge.

## 12 Warranty

The statutory warranty period applies. If the product is defective, please contact the manufacturer's branch in your country (see [dometic.com/dealer](http://dometic.com/dealer)) or your retailer.


For repair and warranty processing, please include the following documents when you send in the device:

- A copy of the receipt with purchasing date
- A reason for the claim or description of the fault

Note that self-repair or nonprofessional repair can have safety consequences and might void the warranty.

## 13 Technical data

Battery pack	
Battery type	Lithium iron phosphate/LiFePO <sub>4</sub>

Rated battery capacity	15 Ah
Rated battery voltage	12.8 V <sup>===</sup>
<b>USB-A output</b>	
Output voltage/rated current	5 V <sup>===</sup> /2.4 A, 9 V <sup>===</sup> /2 A, 12 V <sup>===</sup> /1.5 A
<b>USB-C output/ input</b>	
Charging voltage range	5 ... 20 V <sup>===</sup>
Input current	3 A
<b>DC output</b>	
Output voltage	12 V <sup>===</sup>
Rated current	15 A
<b>DC input</b>	
Charging voltage range	12 ... 32 V <sup>===</sup>
Maximum input current	5.5 A
<b>LED flashlight</b>	
Cool white	
<ul style="list-style-type: none"> <li>• LED lighting power</li> <li>• Lumen</li> </ul>	<p>4.5 W ± 0.5 W</p> <p>160 lm ± 10 lm</p>
Neutral white	
<ul style="list-style-type: none"> <li>• LED lighting power</li> <li>• Lumen</li> </ul>	<p>2.5 W ± 0.5 W</p> <p>50 lm ± 10 lm</p>
<b>General technical data</b>	
Ambient temperature for operation	-10 °C ... 45 °C
Charging temperature	0 °C ... 45 °C
Storage temperature range	-20 °C ... 60 °C
Maximum self-discharge rate at 25 °C	5 % per month
Ambient humidity	≤ 95 %, non-condensing
Protection type	IP 44
Service life	2000 charging cycles
Dimensions (WxHxD)	85 × 222 × 85 mm
Weight	1.8 kg
Test/ certificates	

## Deutsch

1	Wichtige Hinweise.....	13
2	Erklärung der Symbole.....	13
3	Sicherheitshinweise.....	14
4	Lieferumfang.....	15
5	Bestimmungsgemäßer Gebrauch.....	16
6	Technische Beschreibung.....	16
7	Betrieb.....	18
8	Reinigung und Pflege.....	20
9	Verstauen.....	21
10	Fehlersuche und Fehlerbehebung.....	21
11	Entsorgung.....	21
12	Garantie.....	22
13	Technische Daten.....	22

## 1 Wichtige Hinweise

Lesen und befolgen Sie bitte alle Anweisungen, Richtlinien und Warnhinweise in diesem Produkthandbuch sorgfältig, um sicherzustellen, dass Sie das Produkt ordnungsgemäß installieren und stets ordnungsgemäß betreiben und warten. Diese Anleitung MUSS bei dem Produkt verbleiben.

Durch die Verwendung des Produktes bestätigen Sie hiermit, dass Sie alle Anweisungen, Richtlinien und Warnhinweise sorgfältig gelesen haben und dass Sie die hierin dargelegten Bestimmungen verstanden haben und ihnen zustimmen. Sie erklären sich damit einverstanden, dieses Produkt nur für den angegebenen Verwendungszweck und gemäß den Anweisungen, Richtlinien und Warnhinweisen dieses Produkthandbuchs sowie gemäß allen geltenden Gesetzen und Vorschriften zu verwenden. Eine Nichtbeachtung der hierin enthaltenen Anweisungen und Warnhinweise kann zu einer Verletzung Ihrer selbst und anderer Personen, zu Schäden an Ihrem Produkt oder zu Schäden an anderem Eigentum in der Umgebung führen. Dieses Produkthandbuch, einschließlich der Anweisungen, Richtlinien und Warnhinweise, sowie die zugehörige Dokumentation können Änderungen und Aktualisierungen unterliegen. Aktuelle Produktinformationen finden Sie unter [documents.dometic.com](http://documents.dometic.com).

## 2 Erklärung der Symbole



### **WARNUNG!**

Kennzeichnet eine Gefahrensituation, die zum Tod oder schwerer Verletzung führen könnte, wenn die jeweiligen Anweisungen nicht befolgt werden.



### **VORSICHT!**

Kennzeichnet eine Gefahrensituation, die zu geringer oder mittelschwerer Verletzung führen könnte, wenn die jeweiligen Anweisungen nicht befolgt werden.



### **ACHTUNG!**

Kennzeichnet eine Situation, die zu Sachschäden führen kann, wenn die jeweiligen Anweisungen nicht befolgt werden.



**HINWEIS** Ergänzende Informationen zur Bedienung des Produktes.

## 3 Sicherheitshinweise

### Grundlegende Sicherheit



#### **WARNUNG! Gefahr durch Stromschlag**

- Wenn das Gerät sichtbare Beschädigungen aufweist, dürfen Sie es nicht in Betrieb nehmen.
- Reparaturen am Gerät dürfen nur von qualifiziertem Personal durchgeführt werden. Durch unsachgemäße Reparaturen können erhebliche Gefahren entstehen.
- Zerlegen Sie das Gerät nicht.
- Führen Sie keine Änderungen bzw. Anpassungen an Komponenten durch.
- Verwenden Sie nur Zubehör und Ersatzteile, die vom Hersteller empfohlen werden.
- Verwenden Sie das Gerät nicht bei Nässe und tauchen Sie es nicht in Flüssigkeiten ein. Lagern Sie das Gerät an einem trockenen Ort.
- Schalten Sie das Gerät vor jeder Reinigung oder Wartung und nach jeder Verwendung aus und trennen Sie es vom Stromnetz.



#### **WARNUNG! Verletzungsgefahr**

Batterien enthalten aggressive und ätzende Säuren. Verhindern Sie jeden Körperkontakt mit der Batterieflüssigkeit. Sollte Ihre Haut mit Batterieflüssigkeit in Berührung kommen, so spülen Sie das entsprechende Körperteil gründlich mit Wasser ab. Suchen Sie bei Verletzungen durch Säure unbedingt einen Arzt auf.



#### **WARNUNG! Gesundheitsgefahr**

- Öffnen oder beschädigen Sie Batterien nicht und lassen Sie sie nicht in die Umwelt gelangen, da sie giftige und umweltschädliche Schwermetalle enthalten.
- Dieses Gerät kann von Kindern ab 8 Jahren und von Personen mit verringerten physischen, sensorischen oder mentalen Fähigkeiten oder Mangel an Erfahrung und/oder Wissen verwendet werden, wenn diese Personen beaufsichtigt werden oder im sicheren Gebrauch des Geräts unterwiesen wurden und die daraus resultierenden Gefahren verstanden haben.
- **Elektrogeräte sind kein Kinderspielzeug!** Verwahren und benutzen Sie das Gerät außerhalb der Reichweite kleiner Kinder.
- Kinder sollten beaufsichtigt werden, um sicherzustellen, dass sie nicht mit dem Gerät spielen.
- Reinigung und Benutzerwartung dürfen nicht durch unbeaufsichtigte Kinder durchgeführt werden.



#### **ACHTUNG! Beschädigungsgefahr**

- Prüfen Sie vor der Inbetriebnahme, ob die Spannungsangabe auf dem Typenschild mit der vorhandenen Netzspannung übereinstimmt.
- Achten Sie darauf, dass andere Gegenstände **keinen** Kurzschluss an den Kontakten des Gerätes verursachen können.
- Stellen Sie sicher, dass die Plus- und Minusanschlüsse **niemals** miteinander in Kontakt kommen.
- Verwenden Sie die Kabel nicht als Griff.

### Sicherheit beim Betrieb des Gerätes



#### **VORSICHT! Explosionsgefahr**

- Betreiben Sie das Gerät **nicht** unter den folgenden Bedingungen:

in salzhaltiger, feuchter oder nasser Umgebung  
 in der Nähe von aggressiven Dämpfen  
 in der Nähe brennbarer Materialien  
 in Bereichen, in denen die Gefahr einer Gas- oder Staubexplosion besteht

- Versuchen Sie nie, eine eingefrorene oder defekte Batterie zu laden. Stellen Sie das Batteriepack in diesem Fall an einen frostfreien Ort und warten Sie, bis sich die Batterie der Umgebungstemperatur angepasst hat.
- Stellen Sie das Gerät nicht in der Nähe von Wärmequellen (Heizungen, direkte Sonneneinstrahlung, Gasöfen usw.) auf.
- Rauchen Sie in der Nähe des Batteriepacks nicht, verwenden Sie keine offenen Flammen und verursachen Sie keine Funken.
- Betreiben Sie das Gerät nicht unbeaufsichtigt.



#### **VORSICHT! Gefahr durch Stromschlag**

- Bevor Sie das Gerät in Betrieb nehmen, vergewissern Sie sich, dass das Stromversorgungskabel und der Stecker trocken sind und der Stecker frei von Rost oder Schmutz ist.
- Stellen Sie bei der Arbeit an elektrischen Anlagen sicher, dass jemand in der Nähe ist, der im Notfall helfen kann.
- Verlegen Sie die Kabel so, dass sie nicht durch scharfe Kanten, Türen oder die Motorhaube beschädigt werden können. Verlegen Sie Kabel **nicht** so, dass sie scharf abgeknickt werden. Eingeknickte Kabel können zu lebensgefährlichen Verletzungen führen.
- Lösen Sie keine Kabel, wenn das Gerät noch in Betrieb ist.



#### **VORSICHT! Brandgefahr**

- Lassen Sie das Gerät nicht fallen, schlagen Sie nicht darauf und wenden Sie keine übermäßige Kraft darauf an, um Schäden an äußeren und inneren Teilen zu vermeiden.
- Das Gerät darf nicht in Umgebungen mit entflammaren Materialien platziert werden.



#### **VORSICHT! Verletzungsgefahr**

Stellen Sie beim Aufstellen des Geräts sicher, dass alle Kabel korrekt gesichert sind und keine Stolpergefahr besteht.



#### **ACHTUNG! Beschädigungsgefahr**

- Stellen Sie sicher, dass Lufterin- und -auslässe des Geräts nicht verdeckt werden.
- Stellen Sie eine gute Belüftung sicher.
- Stellen Sie das Gerät an einem trockenen und gegen Spritzwasser geschützten Platz auf.
- Ziehen Sie den Stecker nie am Anschlusskabel aus der Steckdose.
- Wickeln Sie das Kabel nur locker auf, wenn Sie es verstauen. Durch zu enges Aufwickeln können das Kabel und die Innenteile beschädigt werden.
- Vermeiden Sie eine Tiefentladung des Geräts.

## 4 Lieferumfang

Anzahl	Beschreibung
1	Tragbares Batteriepack

Anzahl	Beschreibung
1	Ladekabel (USB-C zu USB-C)
1	Kfz-Ladekabel (Zigarettenanzünder-Anschluss an DC5525)
1	Kurzbedienungsanleitung
1	Bedienungsanleitung (nur digital)

## 5 Bestimmungsgemäßer Gebrauch

Das tragbare Batteriepack ist zum Aufladen digitaler Mobilgeräte (z. B. Mobiltelefone, Tablets, Laptops, Kameras, usw.), den Betrieb von 12 V-Geräten (z. B. Luftpumpen, Kühlboxen und andere Outdoor-Ausrüstung) und zur Verwendung als Taschenlampe vorgesehen.

Das tragbare Batteriepack ist für den Einsatz im Freien geeignet, z. B. Reisetouren.

Das tragbare Batteriepack ist **nicht** geeignet für:

- Parallelschaltung mit anderen tragbaren Batteriepacks
- Eine kommerzielle Nutzung

Dieses Produkt ist nur für den angegebenen Verwendungszweck und die Anwendung gemäß dieser Anleitung geeignet.

Dieses Handbuch enthält Informationen, die für die ordnungsgemäße Installation und/oder den ordnungsgemäßen Betrieb des Produkts erforderlich sind. Installationsfehler und/oder ein nicht ordnungsgemäßer Betrieb oder eine nicht ordnungsgemäße Wartung haben eine unzureichende Leistung und u. U. einen Ausfall des Geräts zur Folge.

Der Hersteller übernimmt keine Haftung für Verletzungen oder Schäden am Produkt, die durch Folgendes entstehen:

- Unsachgemäße Installation oder falscher Anschluss, einschließlich Überspannung
- Unsachgemäße Wartung oder Verwendung von anderen als den vom Hersteller gelieferten Original-Ersatzteilen
- Veränderungen am Produkt ohne ausdrückliche Genehmigung des Herstellers
- Verwendung für andere als die in der Anleitung beschriebenen Zwecke

Dometic behält sich das Recht vor, das Erscheinungsbild des Produkts und dessen technische Daten zu ändern.

## 6 Technische Beschreibung

### Allgemeine Beschreibung

Das Batteriepack ist mit einer Lithium-Eisenphosphat-Batterie ausgestattet und verfügt über eine integrierte LED-Taschenlampe.

Digitale Mobilgeräte können an einem der beiden USB-Ausgänge (**2** und **4**, Abb. **1** auf Seite 17) aufgeladen werden. Zusätzlich kann das Gerät über den Gleichstromausgang zum Betreiben von 12 V-Geräten verwendet werden (Anschluss für Kfz-Ladekabeladapter, **5**, Abb. **1** auf Seite 17).

Das tragbare Batteriepack kann über den USB-C-Eingang (**2**, Abb. **1** auf Seite 17) oder den Gleichstromausgang (**6**, Abb. **1** auf Seite 17) geladen werden.



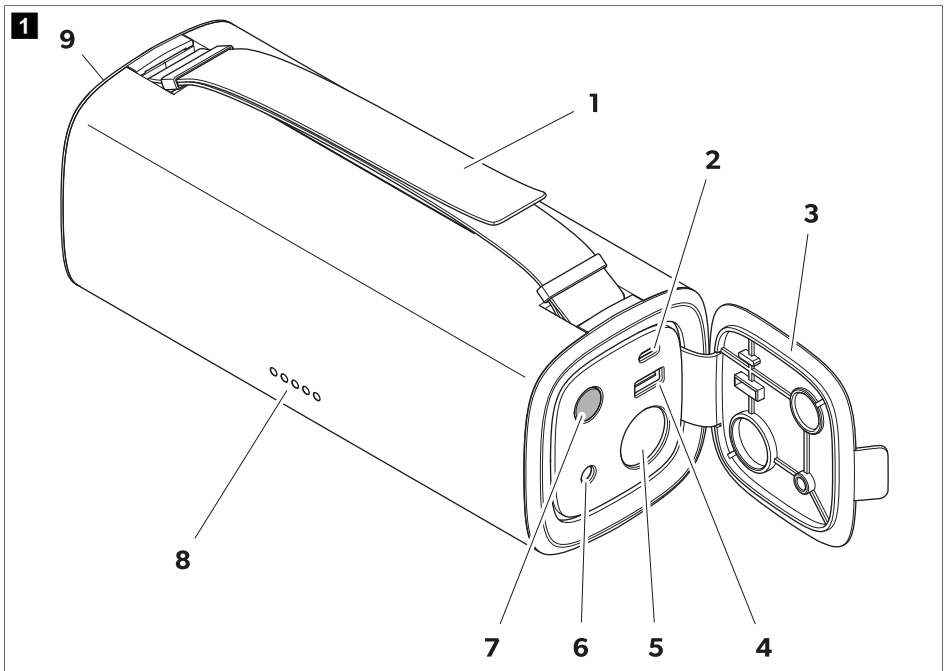
Der Ladevorgang und der aktuelle Ladezustand lassen sich anhand der Batteriestatusanzeige (8, Abb. 1 auf Seite 17) feststellen. Die Batteriestatusanzeige wird in folgenden Fällen aktiviert:

- Das Batteriepack wird geladen.
- An das Batteriepack wird eine Last angeschlossen.
- Die Taschenlampe ist eingeschaltet.

Das tragbare Batteriepack verfügt über folgende Schutzmechanismen:

- Über- und Untertemperaturschutz
- Überstromschutz
- Über- und Unterspannungsschutz an den Eingängen
- Überspannungsschutz an den Ausgängen
- Kurzschlusschutz
- Überlade- und Tiefentladungsschutz

## Gerätebeschreibung



Nr.	Erläuterung	Nr.	Erläuterung
1	Verstellbarer Tragegriff	6	DC5525-Eingang (12 V ... 32 V)
2	USB-C-Eingang/-Ausgang (5 V/3 A, 9 V/3 A, 12 V/3 A, 15 V/3 A, 20 V/3 A)	7	Ein/Aus-Taste
3	Gerätedeckel	8	LED-Batteriestatusanzeige

Nr.	Erläuterung	Nr.	Erläuterung
4	USB-A-Ausgang (5 V/2,4 A, 9 V/2 A, 12 V/1,5 A)	9	LED-Taschenlampe
5	Gleichstromausgang (12 V/15 A)		

## 7 Betrieb



### ACHTUNG! Beschädigungsgefahr

Laden Sie das Batteriepack nach jedem Gebrauch auf.



**HINWEIS** Das Laden digitaler Mobilgeräte, der Betrieb von 12 V-Geräten und das Aufladen des Batteriepacks sind gleichzeitig möglich.

### Vor dem ersten Gebrauch

- > Laden Sie das Batteriepack vor dem ersten Gebrauch vollständig auf (siehe Kapitel Akkupack laden auf Seite 18).

### Akkupack laden



### ACHTUNG! Beschädigungsgefahr

- Sorgen Sie für ausreichende Belüftung und stellen Sie sicher, dass die während des Ladevorgangs erzeugte Wärme aus dem Batteriepack abgeleitet werden kann.
- Stellen Sie sicher, dass die Leerlaufspannung (VoC) der Fahrzeugbatterie oder des Solarmoduls 32 V nicht überschreitet.

Die erforderliche Ladezeit des Batteriepacks hängt von der ausgewählten Ladequelle und dem Ladeeingang ab. Das tragbare Batteriepack kann mit bis zu 60 W über den USB-C-Eingang oder mit bis zu 100 W über den Gleichstromeingang geladen werden. Beim gleichzeitigen Laden über den USB-C- und Gleichstromeingang kann die Ladeleistung auf bis zu 120 W erhöht werden.

Der Gleichstromeingang unterstützt sowohl das Laden über Fahrzeugbatterien als auch das Laden mit Solarstrom.

1. Legen Sie das Batteriepack auf eine feste und hitzebeständige Unterlage.
  2. Öffnen Sie den Gerätedeckel, um Zugang zu den Anschlüssen und Bedienelementen zu erhalten.
  3. Schließen Sie eine geeignete Stromquelle (z. B. Fahrzeugbatterie, Solarmodul) an den Gleichstromeingang oder den USB-C-Eingang des Batteriepacks an.
- ✓ Die Batteriestatusanzeige zeigt den Ladezustand an (siehe Kapitel Ladezustand prüfen auf Seite 18). Die LED für den nächsthöheren Ladestand blinkt, bis der volle Ladestand erreicht ist.

Der Ladevorgang stoppt automatisch, wenn das Batteriepack vollständig geladen ist. Alle LEDs der Batteriestatusanzeige leuchten.

4. Entfernen Sie nach dem Aufladen alle Ladekabel und schließen Sie den Gerätedeckel.

### Ladezustand prüfen

- > Drücken Sie die Taste , um die Batteriestatusanzeige (8, Abb. 1 auf Seite 17) zu aktivieren oder zu deaktivieren.

**HINWEIS**

- Die Batteriestatusanzeige schaltet sich automatisch aus, wenn keine Last und keine Ladequelle angeschlossen sind.
- Sobald der Ladezustand unter 5 % fällt, beginnt die LED 1 zu blinken, um einen niedrigen Batteriestatus anzuzeigen.

- ✓ Die Batteriestatusanzeige zeigt den aktuellen Ladezustand zwischen 0 % (entladen) und 100 % (vollständig aufgeladen) an.

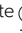

Batteriestatusanzeige					Batteriekapazität
LED 1	LED 2	LED 3	LED 4	LED 5	
○	○	○	○	○	0 %
●	○	○	○	○	5 ... 20 %
●	●	○	○	○	21 ... 40 %
●	●	●	○	○	41 ... 60 %
●	●	●	●	○	61 ... 80 %
●	●	●	●	●	81 ... 100 %

**LED-Taschenlampe verwenden****VORSICHT! Verletzungsgefahr**

Vermeiden Sie es, direkt in die LED-Taschenlampe zu blicken, da dies Ihre Augen schädigen kann.



**HINWEIS** Die Taschenlampe verfügt über zwei Farbtemperaturen: Neutralweiß (bei 4300 K) und Kaltweiß (bei 6400 K).

1. Öffnen Sie den Gerätedeckel, um Zugang zu den Anschlüssen und Bedienelementen zu erhalten.
  2. Halten Sie die Taste  3 s lang gedrückt, um die Taschenlampe ein- oder auszuschalten.
- ✓ Die Batteriestatusanzeige leuchtet.
3. Drücken Sie die Taste , um zwischen den Farbtemperaturen umschalten.



**HINWEIS** Wenn Lasten oder Ladequellen angeschlossen sind, ist die Farbtemperatur „Kaltweiß“ nicht verfügbar und die Taschenlampe wird automatisch auf Neutralweiß eingestellt.

4. Halten Sie die Taschenlampe am Tragegriff. Der Tragegriff kann auf die gewünschte Länge eingestellt werden.
5. Schließen Sie nach der Verwendung den Gerätedeckel.

**Laden digitaler Geräte über USB**

Der USB-C-Ausgang hat eine Ladeleistung von 60 W und der USB-A-Ausgang eine Ladeleistung von 18 W.

**HINWEIS**

- Digitale Mobilgeräte können nicht geladen werden, wenn der Batteriestatus des Batteriepacks niedrig ist (Ladezustand < 5 %).
- Über die beiden USB-Ausgänge können zwei digitale Mobilgeräte gleichzeitig aufgeladen werden.

1. Öffnen Sie den Gerätedeckel, um Zugang zu den Anschlüssen und Bedienelementen zu erhalten.
  2. Wählen Sie je nach verwendetem USB-Ausgang ein Ladekabel mit einem geeigneten Adapter aus, und schließen Sie das Batteriepack an das digitale Gerät an.
- ✓ Das digitale Gerät wird automatisch über das Batteriepack aufgeladen. Die Batteriestatusanzeige zeigt den verbleibenden Ladezustand des Batteriepacks an.
3. Entfernen Sie nach dem Aufladen alle Ladekabel und schließen Sie den Gerätedeckel.

**12-V-Geräte betreiben****ACHTUNG! Beschädigungsgefahr**

Sorgen Sie für ausreichende Belüftung und stellen Sie sicher, dass die erzeugte Wärme aus dem Batteriepack abgeleitet werden kann.



**HINWEIS** 12 V-Geräte können nicht betrieben werden, wenn der Batteriestatus des Batteriepacks niedrig ist (Ladezustand < 5 %).

Der Gleichstromausgang bietet eine mobile Stromversorgung mit bis zu 150 W Dauerleistung.

1. Legen Sie das Batteriepack auf eine feste und hitzebeständige Unterlage.
  2. Öffnen Sie den Gerätedeckel, um Zugang zu den Anschlüssen und Bedienelementen zu erhalten.
  3. Schließen Sie das Netzkabel des 12 V-Geräts an den Gleichstromausgang des Batteriepacks an.
- ✓ Das 12 V-Gerät wird automatisch über das Batteriepack mit Strom versorgt. Die Batteriestatusanzeige zeigt den verbleibenden Ladezustand des Batteriepacks an.
4. Trennen Sie nach der Verwendung das Netzkabel vom 12 V-Gerät und schließen Sie den Gerätedeckel des Batteriepacks.

**8 Reinigung und Pflege****WARNUNG! Gefahr durch Stromschlag**

Trennen Sie vor jeder Reinigung und Wartung das Gerät von der Stromversorgung.

**ACHTUNG! Beschädigungsgefahr**

- Reinigen Sie das Gerät niemals unter fließendem Wasser oder gar im Spülwasser.
- Verwenden Sie zur Reinigung keine scharfen oder harten Gegenstände, scheuernden Reinigungsmittel oder Bleichmittel, da diese das Gerät beschädigen können.

- > Reinigen Sie das Gerät gelegentlich mit einem weichen, feuchten Tuch.
- > Prüfen Sie stromführende Kabel oder Leitungen regelmäßig auf Isolationsmängel, Brüche oder lose Verbindungen.


## 9 Verstauen



### ACHTUNG! Beschädigungsgefahr

- Lagern Sie das Batteriepack nur vollständig geladen. Laden Sie das gelagerte Batteriepack regelmäßig und mindestens alle 3 bis 6 Monate auf, auch wenn es nicht in Gebrauch ist.
  - Beachten Sie die vorgeschriebene optimale Lagertemperatur, da eine langfristige Lagerung bei hohen und niedrigen Temperaturen die Lebensdauer und Leistung des Batteriepacks beeinträchtigen kann.
- > Lagern Sie das Batteriepack an einem gut belüfteten, trockenen Ort, wo es vor Staub und Schmutz geschützt ist.
- > Überprüfen Sie regelmäßig den Ladezustand des Batteriepacks (siehe Kapitel Ladezustand prüfen auf Seite 18).

## 10 Fehlersuche und Fehlerbehebung

Problem	Mögliche Ursache	Lösungsvorschlag
Das Batteriepack funktioniert nicht. Die Taste  reagiert nicht.	Der Batterie ist tiefentladen.	Laden Sie das Batteriepack auf (siehe Kapitel Akkupack laden auf Seite 18).
	Isolationsmängel, Brüche oder lose Verbindungen an den stromführenden Kabeln.	<ul style="list-style-type: none"> <li>&gt; Prüfen Sie stromführende Kabel auf Isolationsmängel, Brüche oder lose Verbindungen.</li> <li>&gt; Wenn Sie keinen Fehler finden können, wenden Sie sich an einen autorisierten Kundendienst.</li> </ul>
	Überstromschutz des Batteriepacks ausgelöst. Kurzschlusschutz des Batteriepacks ausgelöst.	<ol style="list-style-type: none"> <li>1. Entfernen Sie die Lasten von den USB-C-, USB-A- oder Gleichstromausgängen.</li> <li>2. Beachten Sie beim Wiederanschließen der Geräte die maximale Last der Ausgänge (siehe Kapitel Technische Daten auf Seite 22).</li> <li>3. Wenn der Ladevorgang nicht sofort nach dem Anschließen der Geräte wieder startet, laden Sie das Batteriepack zum Reaktivieren auf (siehe Kapitel Akkupack laden auf Seite 18).</li> </ol>

## 11 Entsorgung



Verpackungsmaterial recyceln: Geben Sie das Verpackungsmaterial möglichst in den entsprechenden Recycling-Müll.



Recycling von Produkten mit nicht austauschbaren Batterien, wiederaufladbaren Batterien oder Leuchtmitteln:

- Wenn das Produkt nicht austauschbare Batterien, wiederaufladbare Batterien oder Leuchtmittel enthält, brauchen Sie diese vor der Entsorgung nicht zu entfernen.
- Wenn Sie das Gerät endgültig entsorgen möchten, informieren Sie sich bitte bei Ihrem Wertstoffhof vor Ort oder bei Ihrem Fachhändler, wie dies gemäß den geltenden Entsorgungsvorschriften zu tun ist.
- Das Produkt kann kostenlos entsorgt werden.

## 12 Garantie

Es gilt die gesetzliche Gewährleistungsfrist. Sollte das Produkt defekt sein, wenden Sie sich bitte an die Niederlassung des Herstellers in Ihrem Land (siehe [dometic.com/dealer](http://dometic.com/dealer)) oder an Ihren Fachhändler.

Bitte senden Sie bei einem Reparatur- bzw. Gewährleistungsantrag folgende Unterlagen mit dem Gerät ein:

- eine Kopie der Rechnung mit Kaufdatum
- einen Reklamationsgrund oder eine Fehlerbeschreibung

Bitte beachten Sie, dass eigenständig oder nicht fachgerecht durchgeführte Reparaturen die Sicherheit gefährden und zum Erlöschen der Garantie führen können.

## 13 Technische Daten

<b>Batterie Pack</b>	
Batterie-Typ	Lithium-Eisenphosphat/LiFePO4
Batterie-Nennkapazität	15 Ah
Batterie-Nennspannung	12,8 V <sup>DC</sup>
<b>USB-A-Ausgang</b>	
Ausgangsspannung/Nennstrom	5 V <sup>DC</sup> /2,4 A, 9 V <sup>DC</sup> /2 A, 12 V <sup>DC</sup> /1,5 A
<b>USB-C-Ausgang/-Eingang</b>	
Ladespannungsbereich	5 ... 20 V <sup>DC</sup>
Eingangsstrom	3 A
<b>Gleichstromausgang</b>	
Ausgangsspannung	12 V <sup>DC</sup>
Nennstrom	15 A
<b>DC-Eingang</b>	
Ladespannungsbereich	12 ... 32 V <sup>DC</sup>
Maximaler Eingangsstrom	5,5 A
<b>LED-Taschenlampe</b>	
Kaltweiß	

<ul style="list-style-type: none"> <li>• LED-Leuchtleistung</li> <li>• Lumen</li> </ul>	<p>4,5 W ± 0,5 W</p> <p>160 lm ± 10 lm</p>
Neutralweiß	
<ul style="list-style-type: none"> <li>• LED-Leuchtleistung</li> <li>• Lumen</li> </ul>	<p>2,5 W ± 0,5 W</p> <p>50 lm ± 10 lm</p>
<b>Allgemeine technische Daten</b>	
Umgebungstemperatur Betrieb	-10 °C ... 45 °C
Ladetemperatur	0 °C ... 45 °C
Lagertemperaturbereich	-20 °C ... 60 °C
Maximale Selbstentladungsrate bei 25 °C	5 % pro Monat
Umgebungsfeuchtigkeit	≤ 95 %, nicht kondensierend
Schutzart	IP 44
Betriebsdauer	2000 Ladezyklen
Abmessungen (BxHxT)	85 × 222 × 85 mm
Gewicht	1,8 kg
Prüfungen/Zertifikate	

## Français

1	Remarques importantes.....	24
2	Signification des symboles.....	24
3	Consignes de sécurité.....	25
4	Contenu de la livraison.....	27
5	Usage conforme.....	27
6	Description technique.....	27
7	Utilisation.....	29
8	Nettoyage et entretien.....	31
9	Stockage.....	32
10	Dépannage.....	32
11	Mise au rebut.....	33
12	Garantie.....	33
13	Caractéristiques techniques.....	33

## 1 Remarques importantes

Veillez lire et suivre attentivement l'ensemble des instructions, directives et avertissements figurant dans ce manuel afin d'installer, d'utiliser et d'entretenir le produit correctement à tout moment. Ces instructions DOIVENT rester avec le produit.

En utilisant ce produit, vous confirmez expressément avoir lu attentivement l'ensemble des instructions, directives et avertissements et que vous comprenez et acceptez de respecter les modalités et conditions énoncées dans le présent document. Vous acceptez d'utiliser ce produit uniquement pour l'usage et l'application prévus et conformément aux instructions, directives et avertissements figurant dans le présent manuel, ainsi qu'à toutes les lois et réglementations applicables. En cas de non-respect des instructions et avertissements figurant dans ce manuel, vous risquez de vous blesser ou de blesser d'autres personnes, d'endommager votre produit ou d'endommager d'autres biens à proximité. Le présent manuel produit, y compris les instructions, directives et avertissements, ainsi que la documentation associée peuvent faire l'objet de modifications et de mises à jour. Pour obtenir des informations actualisées sur le produit, consulter le site [documents.domestic.com](http://documents.domestic.com).

## 2 Signification des symboles



### AVERTISSEMENT !

indique une situation dangereuse qui, si elle n'est pas évitée, est susceptible d'entraîner des blessures graves, voire mortelles.



### ATTENTION !

indique une situation dangereuse qui, si elle n'est pas évitée, est susceptible d'entraîner des blessures légères ou de gravité modérée.



### AVIS !

indique une situation dangereuse qui, si elle n'est pas évitée, peut entraîner des dommages matériels.



**REMARQUE** Informations complémentaires sur l'utilisation de ce produit.



## 3 Consignes de sécurité

### Sécurité générale



#### AVERTISSEMENT ! Risque d'électrocution

- Si l'appareil présente des dégâts visibles, ne le mettez pas en service.
- Seul un technicien qualifié est habilité à réparer l'appareil. Des réparations inadéquates peuvent engendrer des risques considérables.
- Ne démontez pas l'appareil.
- Ne modifiez pas et n'adaptez pas les composants de quelque manière que ce soit.
- Utilisez uniquement des accessoires et des pièces de rechange recommandés par le fabricant.
- N'utilisez pas l'appareil dans des conditions humides et ne le plongez pas dans un liquide. Stockez l'appareil dans un endroit sec.
- Éteignez et débranchez l'appareil de l'alimentation électrique avant chaque nettoyage, entretien et après chaque utilisation.



#### AVERTISSEMENT ! Risque de blessure

Les batteries peuvent contenir des acides agressifs et corrosifs. Évitez tout contact avec le liquide que contient la batterie. En cas de contact cutané avec le liquide de la batterie, lavez soigneusement la zone affectée avec de l'eau. Si vous subissez des blessures causées par des acides, contactez immédiatement un médecin.



#### AVERTISSEMENT ! Risque pour la santé

- N'ouvrez ou n'endommagez pas les batteries et mettez-les au rebut dans un centre de traitement des déchets approprié, car elles contiennent des métaux lourds toxiques et nocifs pour l'environnement.
- Cet appareil peut être utilisé par des enfants âgés de 8 ans et plus et des personnes ayant des capacités physiques, sensorielles ou mentales réduites ou un manque d'expérience et de connaissances, s'ils sont sous surveillance ou ont reçu des instructions sur l'utilisation de l'appareil en toute sécurité et comprennent les risques impliqués.
- **Les appareils électriques ne sont pas des jouets pour enfants.** Placez et utilisez l'appareil hors de portée des jeunes enfants.
- Les enfants doivent être surveillés pour s'assurer qu'ils ne jouent pas avec l'appareil.
- Le nettoyage et l'entretien ne doivent pas être effectués par des enfants sans surveillance.



#### AVIS ! Risque d'endommagement

- Avant la mise en service, vérifiez que la tension indiquée sur la plaque signalétique correspond à l'alimentation électrique dont vous disposez.
- Veillez à ce que d'autres objets ne puissent **pas** provoquer de court-circuit au niveau des contacts de l'appareil.
- Assurez-vous que les pôles négatifs et positifs n'entrent **jamais** en contact.
- Ne saisissez pas l'appareil par les câbles.

## Consignes de sécurité concernant le fonctionnement de l'appareil



### ATTENTION ! Risque d'explosion

- N'utilisez **pas** l'appareil dans les conditions suivantes :
  - en milieu humide, à forte teneur en sel,
  - à proximité de vapeurs agressives,
  - à proximité de matériaux inflammables,
  - dans les zones présentant un risque d'explosion de gaz ou de poussières
- N'essayez jamais de charger une batterie gelée ou défectueuse. Placez le pack de batteries dans une zone sans gel et attendez que la batterie se soit acclimatée à la température ambiante.
- Ne placez pas l'appareil à proximité de sources de chaleur (radiateurs, rayonnement solaire, fours à gaz, etc.).
- Ne fumez pas, n'utilisez pas de flamme nue et ne provoquez pas d'étincelles à proximité du pack de batteries.
- Ne laissez pas l'appareil sans surveillance lorsqu'il est en fonctionnement.



### ATTENTION ! Risque d'électrocution

- Avant d'allumer l'appareil, assurez-vous que le câble d'alimentation et la prise sont secs et que la prise est exempte de rouille ou de saletés.
- Lorsque vous effectuez des travaux sur des installations électriques, assurez-vous qu'une personne pouvant vous porter assistance en cas d'urgence se trouve à proximité.
- Posez les câbles de manière à ce qu'ils ne puissent pas être endommagés par des arêtes coupantes, les portières ou le capot. Ne posez **pas** les câbles en les pliant fortement. Des câbles compressés peuvent entraîner des blessures mortelles.
- Ne débranchez pas de câbles pendant le fonctionnement de l'appareil.



### ATTENTION ! Risque d'incendie

- Ne faites pas tomber, ne heurtez pas et n'appliquez pas une force excessive sur l'appareil afin d'éviter d'endommager les pièces externes et internes.
- Ne placez pas l'appareil à proximité de matériaux inflammables.



### ATTENTION ! Risque de blessure

Lors du positionnement de l'appareil, assurez-vous que tous les câbles sont installés de manière sécurisée, afin d'éviter tout risque de chute.



### AVIS ! Risque d'endommagement

- Assurez-vous que les entrées et les sorties d'air de l'appareil ne sont pas couvertes.
- Assurez une ventilation suffisante.
- Installez l'appareil dans un endroit sec et à l'abri des éclaboussures d'eau.
- Ne tirez jamais sur le câble de raccordement pour sortir la fiche de la prise.
- Enroulez le câble de manière lâche pour le ranger, un enroulement trop serré peut endommager les composants internes.
- Évitez de décharger profondément l'appareil.

## 4 Contenu de la livraison

Quantité	Description
1	Pack de batteries portable
1	Câble de chargement (USB-C vers USB-C)
1	Câble de chargement pour voiture (port allume-cigare vers DC5525)
1	Mode d'emploi abrégé
1	Manuel d'utilisation (numérique uniquement)

## 5 Usage conforme

Le pack de batteries portable est prévu pour le chargement des appareils mobiles numériques (p. ex. téléphones mobiles, tablettes, ordinateurs portables, caméras, etc.) ou pour l'utilisation d'appareils 12 V (p. ex. pompes à air, glacières et autres équipements extérieurs) et comme lampe de poche.

Le pack de batteries portable est adapté à une utilisation en extérieur, p. ex. pour le tourisme.

Le pack de batteries portable n'est **pas** adapté à ce qui suit :

- Connexion parallèle avec d'autres packs de batteries portables
- Usage commercial

Ce produit convient uniquement à l'usage et à l'application prévus, conformément au présent manuel d'instructions.

Ce manuel fournit les informations nécessaires à l'installation et/ou à l'utilisation correcte du produit. Une installation, une utilisation ou un entretien inappropriés entraînera des performances insatisfaisantes et une éventuelle défaillance.

Le fabricant décline toute responsabilité en cas de blessure ou de dommage résultant :

- d'une installation, d'un montage ou d'un raccordement incorrect, y compris d'une surtension
- d'un entretien inadapté ou de l'utilisation de pièces de rechange autres que les pièces de rechange d'origine fournies par le fabricant
- de modifications apportées au produit sans autorisation explicite du fabricant
- d'usages différents de ceux décrits dans ce manuel

Dometic se réserve le droit de modifier l'apparence et les spécifications produit.

## 6 Description technique

### Description générale

Le pack de batteries est équipé d'une batterie lithium-fer-phosphate et d'une lampe à LED intégrée.

Les appareils mobiles numériques peuvent être chargés sur l'une des deux sorties USB (**2** et **4**, fig. **1** à la page 28). En outre, l'appareil peut être utilisé pour utiliser les appareils 12 V via la sortie CC (connexion pour adaptateur de charge pour voiture, **5**, fig. **1** à la page 28).

Le pack de batteries portable peut être chargé via l'entrée USB-C (**2**, fig. **1** à la page 28) ou l'entrée CC (**6**, fig. **1** à la page 28).

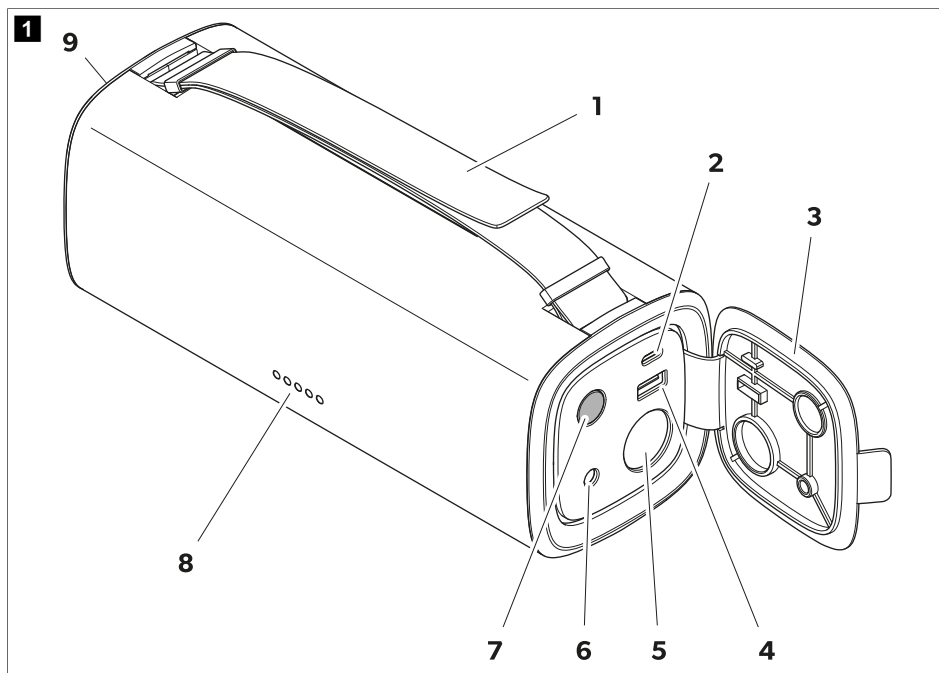
Le processus de charge et l'état de charge actuel sont affichés par l'indicateur d'état de la batterie (**8**, fig. **1** à la page 28). L'indicateur d'état de la batterie est activé dès que :

- Le pack de batteries se recharge.
- Une charge est connectée au pack de batteries.
- La lampe torche est allumée.

Le pack de batteries portable dispose des mécanismes de protection suivants :

- Protection contre les températures élevées et basses
- Protection de surintensité
- Protection contre les surtensions et les sous-tensions aux entrées
- Protection contre les surtensions aux sorties
- Protection contre les courts-circuits
- Protection contre les surcharges et les décharges profondes

## Description de l'appareil



N°	Explication	N°	Explication
1	Poignée de transport réglable	6	Entrée DC5525 (12 V ... 32 V)

N°	Explication	N°	Explication
2	Entrée/sortie USB-C (5 V/3 A, 9 V/3 A, 12 V/3 A, 15 V/3 A, 20 V/3 A)	7	Touche MARCHE/ARRÊT
3	Couvercle de l'appareil	8	Indicateur LED d'état de la batterie
4	Sortie USB-A (5 V/2,4 A, 9 V/2 A, 12 V/1,5 A)	9	Lampe à LED
5	Sortie de courant continu (12 V/15 A)		

## 7 Utilisation



### AVIS ! Risque d'endommagement

Chargez le pack de batteries après chaque utilisation.



**REMARQUE** Il est possible de charger des appareils mobiles numériques, d'utiliser des appareils 12 V et de charger le pack de batteries en même temps.

### Avant la première utilisation

- Chargez le pack de batteries avant la première utilisation jusqu'à ce qu'il soit complètement chargé (voir chapitre Chargement du pack de batteries à la page 29).

### Chargement du pack de batteries



### AVIS ! Risque d'endommagement

- Assurez une ventilation suffisante et vérifiez que la chaleur générée pendant le processus de charge peut être dissipée du pack de batteries.
- Veillez à ce que la tension de circuit ouvert (OCV) de la batterie du véhicule ou du module solaire ne dépasse pas 32 V.

Le temps de charge requis du pack de batteries dépend de la source de chargement sélectionnée et de l'entrée de charge. Le pack de batteries portable peut être chargé jusqu'à 60 W via l'entrée USB-C ou jusqu'à 100 W via l'entrée CC. Lors d'une charge simultanée via l'entrée USB-C et l'entrée CC, la puissance de charge peut être augmentée jusqu'à 120 W.

L'entrée CC assure à la fois la charge par batteries de véhicule et la charge par énergie solaire.

- Placez le pack de batteries sur une base ferme et résistante à la chaleur.
- Ouvrez le couvercle de l'appareil pour accéder aux branchements et aux commandes.
- Branchez une source d'alimentation adaptée (p. ex. batterie de véhicule, panneau solaire) à l'entrée CC ou USB-C du pack de batteries.
- ✓ L'indicateur d'état de la batterie indique l'état de charge (voir chapitre Vérification de l'état de charge à la page 30). La LED du niveau de charge supérieur suivant clignote jusqu'à ce que le niveau de charge complet soit atteint.

Le processus de charge s'arrête automatiquement lorsque le pack de batteries est complètement chargé. Toutes les LED de l'indicateur d'état de la batterie sont allumées.

- Après la charge, retirez tous les câbles de charge et fermez le couvercle de l'appareil.

## Vérification de l'état de charge































- > Appuyez sur le bouton  pour activer ou désactiver l'indicateur d'état de la batterie (8, fig. 1 à la page 28).



### REMARQUE

- L'indicateur d'état de la batterie s'éteint automatiquement si aucune charge ni aucune source de chargement n'est branchée.
- Dès que l'état de charge tombe en dessous de 5 %, la LED 1 commence à clignoter pour indiquer que la batterie est faible.

- ✓ L'indicateur d'état de la batterie indique l'état de charge entre 0 % (déchargé) et 100 % (complètement chargé).

Indicateur d'état de la batterie					Capacité de la batterie
LED 1	LED 2	LED 3	LED 4	LED 5	
					0 %
					5 ... 20 %
					21 ... 40 %
					41 ... 60 %
					61 ... 80 %
					81 ... 100 %

## Utilisation de la lampe à LED





### ATTENTION ! Risque de blessure

Évitez de regarder directement la lampe à LED, car cela pourrait endommager vos yeux.



**REMARQUE** La lampe torche est réglable en deux températures de couleur : blanc neutre (à 4300 K) et blanc froid (à 6400 K).

1. Ouvrez le couvercle de l'appareil pour accéder aux branchements et aux commandes.
2. Appuyez sur le bouton  et maintenez-le enfoncé pendant 3 s pour allumer ou éteindre la lampe torche.
- ✓ L'indicateur d'état de la batterie est allumé.
3. Appuyez sur le bouton  pour basculer entre les températures de couleur.



**REMARQUE** Si des charges ou des sources de chargement sont branchées, la température de couleur blanc froid n'est pas disponible et la lampe de poche est automatiquement réglée sur blanc neutre.

4. Tenez la lampe torche par la poignée de transport. La poignée de transport peut être réglée à la longueur requise.
5. Après utilisation, fermez le couvercle de l'appareil.

## Chargement d'appareils numériques via USB

La sortie USB-C dispose d'une puissance de charge de 60 W. La sortie USB-A dispose d'une puissance de charge de 18 W.



### REMARQUE

- Le chargement des appareils mobiles numériques n'est pas possible si la batterie du pack est faible (état de charge < 5 %).
- Deux appareils mobiles numériques peuvent être chargés en même temps à l'aide des deux prises USB.

1. Ouvrez le couvercle de l'appareil pour accéder aux branchements et aux commandes.
2. Sélectionnez un câble de chargement avec un adaptateur adapté en fonction de la sortie USB à utiliser, puis branchez le pack de batteries à l'appareil numérique.
- ✓ L'appareil numérique se charge automatiquement via le pack de batteries. L'indicateur d'état de la batterie indique l'état de charge restant du pack de batteries.
3. Après la charge, retirez tous les câbles de charge et fermez le couvercle de l'appareil.

## Utilisation d'appareils 12 V



### AVIS ! Risque d'endommagement

Assurez une ventilation suffisante et vérifiez que la chaleur générée peut être dissipée du pack de batteries.



**REMARQUE** L'utilisation des appareils 12 V n'est pas possible si la batterie du pack est faible (état de charge < 5 %).

La sortie CC fournit une alimentation mobile jusqu'à 150 W en continu.

1. Placez le pack de batteries sur une base ferme et résistante à la chaleur.
2. Ouvrez le couvercle de l'appareil pour accéder aux branchements et aux commandes.
3. Branchez le câble d'alimentation de l'appareil 12 V à la sortie CC du pack de batteries.
- ✓ L'appareil 12 V est automatiquement alimenté par le pack de batteries. L'indicateur d'état de la batterie indique l'état de charge restant du pack de batteries.
4. Après utilisation, débranchez le câble d'alimentation de l'appareil 12 V et fermez le couvercle du pack de batteries.

## 8 Nettoyage et entretien



### AVERTISSEMENT ! Risque d'électrocution

Débranchez l'appareil de l'alimentation avant toute opération de nettoyage et d'entretien.



### AVIS ! Risque d'endommagement

- Ne nettoyez jamais l'appareil à l'eau courante et ne le plongez pas non plus dans l'eau.
- N'utilisez pas d'objet coupant ou dur, de détergents abrasifs ou d'eau de javel pour le nettoyage, car cela pourrait endommager l'appareil.

- > Nettoyez régulièrement l'appareil à l'aide d'un chiffon humide.
- > Vérifiez régulièrement que les câbles ou les lignes sous tension ne présentent pas de défauts d'isolation, de coupures ou de connexions desserrées.


## 9 Stockage



### AVIS ! Risque d'endommagement

- Rangez uniquement le pack de batteries lorsqu'il est complètement chargé. Rechargez régulièrement le pack de batteries rangé et au moins tous les trois à six mois, même lorsqu'il n'est pas utilisé.
  - Respectez la température de stockage optimale spécifiée, car le stockage à long terme à des températures élevées et basses peut nuire à la durée de vie et aux performances du pack de batteries.
- > Stockez le pack de batteries dans un endroit bien ventilé et sec, à l'abri de la poussière et de la saleté.
  - > Vérifiez régulièrement l'état de charge du pack de batteries (voir chapitre Vérification de l'état de charge à la page 30).

## 10 Dépannage

Panne	Cause possible	Solution proposée
Le pack de batteries ne fonctionne pas. Le bouton  ne fonctionne pas.	Le pack de batteries est complètement déchargé.	Charger le pack de batteries (voir chapitre Chargement du pack de batteries à la page 29).
	Défauts d'isolation, coupures ou connexions desserrées au niveau des câbles sous tension.	<ul style="list-style-type: none"> <li>&gt; Vérifiez que les câbles sous tension ne présentent pas de défauts d'isolation, de coupures ou de connexions desserrées.</li> <li>&gt; Si vous ne trouvez pas d'erreur, contactez un agent de service agréé.</li> </ul>
	La protection contre les surintensités du pack de batteries s'est déclenchée. La protection contre les courts-circuits du pack de batteries s'est déclenchée.	<ol style="list-style-type: none"> <li>1. Retirez les charges connectées aux sorties USB-C, USB-A et CC.</li> <li>2. Respectez la charge maximale des sorties (voir chapitre Caractéristiques techniques à la page 33) lors du rebranchement des appareils.</li> <li>3. Si le chargement ne redémarre pas immédiatement après le raccordement des appareils, chargez le pack de batteries pour le réactiver (voir le chapitre Chargement du pack de batteries à la page 29).</li> </ol>



## 11 Mise au rebut



Recyclage des emballages : Dans la mesure du possible, veuillez éliminer les emballages dans les conteneurs de déchets recyclables prévus à cet effet.



Recyclage des produits contenant des piles non remplaçables, des batteries ou des sources lumineuses rechargeables :

- Si le produit contient des piles non remplaçables, des batteries ou des sources lumineuses rechargeables, vous n'avez pas besoin de les retirer avant de les mettre au rebut.
- Si vous souhaitez mettre le produit au rebut, contactez le centre de recyclage le plus proche ou votre revendeur spécialisé afin d'être informé des réglementations liées au traitement des déchets.
- Le produit peut être mis au rebut gratuitement.

## 12 Garantie

La période de garantie légale s'applique. Si le produit s'avérait défectueux, contactez la succursale du fabricant située dans votre pays (voir [dometic.com/dealer](http://dometic.com/dealer)) ou votre revendeur.

Pour toutes réparations ou autres prestations de garantie, veuillez joindre à l'appareil les documents suivants :

- une copie de la facture avec la date d'achat
- un motif de réclamation ou une description du dysfonctionnement

Notez que toute réparation effectuée par une personne non agréée peut présenter un risque de sécurité et annuler la garantie.

## 13 Caractéristiques techniques

<b>Pack de batteries</b>	
Type de batterie	lithium fer phosphate/LiFePO4
Capacité nominale de la batterie	15 Ah
Tension nominale de la batterie	12,8 V <sup>nom</sup>
<b>Sortie USB-A</b>	
Tension de sortie/courant nominal	5 V <sup>nom</sup> /2,4 A, 9 V <sup>nom</sup> /2 A, 12 V <sup>nom</sup> /1,5 A
<b>Sortie/entrée USB-C</b>	
Plage de tensions de charge	5 ... 20 V <sup>nom</sup>
Courant d'entrée	3 A
<b>DC Output</b>	
Tension de sortie	12 V <sup>nom</sup>
Courant nominal	15 A
<b>Entrée CC</b>	
Plage de tensions de charge	12 ... 32 V <sup>nom</sup>
Courant d'entrée maximum	5,5 A

**Lampe à LED**

Blanc froid

- Puissance d'éclairage LED
- Lumen

4,5 W ± 0,5 W

160 lm ± 10 lm

Blanc neutre

- Puissance d'éclairage LED
- Lumen

2,5 W ± 0,5 W

50 lm ± 10 lm

**Caractéristiques techniques générales**

Température ambiante de fonctionnement

-10 °C ... 45 °C

Température de charge

0 °C ... 45 °C

Plage de température de stockage

-20 °C ... 60 °C

Taux d'auto-décharge max. à 25 °C

5 % par mois

Humidité ambiante

≤ 95 %, sans condensation

Type de protection

IP 44

Durée de vie

2 000 cycles de charge

Dimensions (l x H x P)

85 × 222 × 85 mm

Poids

1,8 kg

Contrôle/certificats



## Español

1	Notas importantes.....	35
2	Explicación de los símbolos.....	35
3	Indicaciones de seguridad.....	36
4	Volumen de entrega.....	37
5	Uso previsto.....	38
6	Descripción técnica.....	38
7	Funcionamiento.....	40
8	Limpieza y mantenimiento.....	42
9	Almacenamiento.....	42
10	Solución de problemas.....	43
11	Eliminación.....	43
12	Garantía.....	44
13	Datos técnicos.....	44

## 1 Notas importantes

Lea atentamente estas instrucciones y siga las indicaciones, directrices y advertencias incluidas en este manual para asegurarse de que instala, utiliza y mantiene correctamente el producto en todo momento. Estas instrucciones DEBEN conservarse junto con este producto.

Al utilizar el producto, usted confirma que ha leído cuidadosamente todas las instrucciones, directrices y advertencias, y que entiende y acepta cumplir los términos y condiciones aquí establecidos. Usted se compromete a utilizar este producto solo para el propósito y la aplicación previstos y de acuerdo con las instrucciones, directrices y advertencias establecidas en este manual del producto, así como de acuerdo con todas las leyes y reglamentos aplicables. La no lectura y observación de las instrucciones y advertencias aquí expuestas puede causarle lesiones a usted o a terceros, daños en el producto o daños en otras propiedades cercanas. Este manual del producto, incluyendo las instrucciones, directrices y advertencias, y la documentación relacionada, pueden estar sujetos a cambios y actualizaciones. Para obtener información actualizada sobre el producto, visite [documents.dometic.com](http://documents.dometic.com).

## 2 Explicación de los símbolos



### ¡ADVERTENCIA!

Indica una situación peligrosa que, de no evitarse, puede ocasionar la muerte o lesiones graves.



### ¡ATENCIÓN!

Indica una situación peligrosa que, de no evitarse, puede ocasionar lesiones moderadas o leves.



### ¡AVISO!

Indica una situación peligrosa que, de no evitarse, puede provocar daños materiales.



**NOTA** Información complementaria para el manejo del producto.

## 3 Indicaciones de seguridad

### Seguridad general



#### ¡ADVERTENCIA! Riesgo de electrocución

- No ponga el aparato en funcionamiento si presenta desperfectos visibles.
- Solo el personal cualificado podrá realizar reparaciones en el aparato. Las reparaciones inadecuadas pueden conllevar peligros considerables.
- No desmonte el aparato.
- No modifique ni adapte ninguno de los componentes de ninguna manera.
- Utilice únicamente accesorios y recambios recomendados por el fabricante.
- No use el dispositivo estando mojado ni lo sumerja en ningún líquido. Guárdela en un lugar seco.
- Apague el aparato y desconéctelo de la fuente de alimentación antes de realizar cualquier tarea de limpieza o mantenimiento y después de cada uso.



#### ¡ADVERTENCIA! Peligro de lesiones

Las baterías pueden contener ácidos agresivos y cáusticos. Evite que el líquido de la batería entre en contacto con su cuerpo. Si el líquido de batería entra en contacto con la piel, lave con agua la zona del cuerpo afectada. Si sufre alguna lesión a causa de ácidos, póngase inmediatamente en contacto con un médico.



#### ¡ADVERTENCIA! Riesgo para la salud

- No abra ni dañe las baterías ni deje que entren en contacto con el medio ambiente, ya que contienen metales pesados tóxicos y ecológicamente nocivos.
- Este aparato puede ser utilizado por menores a partir de 8 años y personas con capacidad física, sensorial o mental reducida, o con falta de experiencia y conocimientos, siempre que lo hagan bajo supervisión o hayan recibido instrucciones relativas al uso del mismo de manera segura y entendiendo los riesgos asociados.
- **Los aparatos eléctricos no son juguetes.** Mantenga y utilice el aparato fuera del alcance de los niños pequeños.
- Controle a los niños para asegurarse de que no jueguen con el aparato.
- Los menores no deberán limpiar ni realizar el mantenimiento de usuario sin la debida supervisión.



#### ¡AVISO! Peligro de daños

- Antes de poner el aparato en funcionamiento, compruebe que el valor de tensión indicado en la placa de características coincide con el de la fuente de alimentación.
- Asegúrese de que **ningún** otro objeto pueda causar un cortocircuito en los contactos del aparato.
- Asegúrese de que los polos positivo y negativo **nunca** entren en contacto.
- No utilice el cable como asa para transportar el aparato.

### Uso seguro del aparato



#### ¡ATENCIÓN! Peligro de explosión

- **No** utilice el aparato en las siguientes condiciones:  
 en entornos salinos, húmedos o mojados  
 cerca de gases corrosivos

cerca de materiales combustibles  
en zonas donde exista riesgo de explosión de gas o polvo

- Nunca intente cargar una batería congelada o averiada. Coloque la batería en un lugar donde no se congele y espere a que alcance la temperatura ambiente.
- No coloque el aparato cerca de fuentes de calor (calentadores, radiación directa del sol, hornos de gas, etc.).
- No fume, encienda fuego ni provoque ninguna chispa cerca de la batería.
- No deje el aparato desatendido mientras esté en funcionamiento.



#### **¡ATENCIÓN! Riesgo de electrocución**

- Antes de poner en marcha el aparato, asegúrese de que el cable de alimentación y el enchufe estén secos y de que el enchufe no presente óxido ni suciedad.
- Cuando trabaje en sistemas eléctricos, asegúrese de que haya otra persona cerca para que le pueda ayudar en caso de emergencia.
- Tienda los cables de tal manera que no puedan resultar dañados por aristas cortantes, puertas o el capó del motor. **No** tienda los cables de manera que queden retorcidos. Los cables aplastados pueden provocar lesiones que pongan en peligro la vida.
- No desconecte ningún cable mientras el aparato aún se encuentre en funcionamiento.



#### **¡ATENCIÓN! Peligro de incendio**

- No deje caer, golpee ni fuerce excesivamente el aparato para evitar daños en las piezas externas e internas.
- No coloque el aparato cerca de materiales inflamables.



#### **¡ATENCIÓN! Peligro de lesiones**

Cuando coloque el aparato en su ubicación, asegúrese de que todos los cables estén bien sujetos para evitar cualquier tipo de peligro de tropiezo.



#### **¡AVISO! Peligro de daños**

- Asegúrese de que las entradas y salidas de aire del aparato no estén obstruidas.
- Garantice una buena ventilación.
- Instale el aparato en un lugar seco y protegido contra posibles salpicaduras de agua.
- No desenchufe nunca la clavija de la caja de enchufe tirando del cable.
- Al guardar el aparato, enrolle el cable suavemente; si lo aprieta demasiado, puede dañar el propio cable y los componentes internos.
- Evite que el aparato se descargue completamente.

## 4 Volumen de entrega

Cantidad	Descripción
1	Batería portátil
1	Cable de carga (USB-C a USB-C)
1	Cable de carga para el coche (puerto del encendedor a DC5525)
1	Guía rápida

Cantidad	Descripción
1	Instrucciones de uso (solo digital)

## 5 Uso previsto

La batería portátil está diseñada para cargar dispositivos móviles digitales (por ejemplo, teléfonos móviles, tabletas, portátiles, cámaras, etc.) o para el funcionamiento de dispositivos de 12 V (por ejemplo, bombas de aire, neveras y otros equipos para exteriores), así como para su uso como linterna.

La batería portátil es adecuada para su uso en exteriores, por ejemplo, en viajes.

La batería portátil **no** es adecuada para:

- La conexión en paralelo con otras baterías portátiles
- El uso comercial

Este producto solo es apto para el uso previsto y la aplicación de acuerdo con estas instrucciones.

Este manual proporciona la información necesaria para la correcta instalación y/o funcionamiento del producto. Una instalación deficiente y/o un uso y mantenimiento inadecuados conllevan un rendimiento insatisfactorio y posibles fallos.

El fabricante no se hace responsable de ninguna lesión o daño en el producto ocasionados por:

- Una instalación, un montaje o una conexión incorrectos, incluido un exceso de tensión
- Un mantenimiento incorrecto o el uso de piezas de repuesto distintas de las originales proporcionadas por el fabricante
- Modificaciones realizadas en el producto sin el expreso consentimiento del fabricante
- Uso con una finalidad distinta de la descrita en las instrucciones

Dometic se reserva el derecho de cambiar la apariencia y las especificaciones del producto.

## 6 Descripción técnica

### Descripción general

La batería consta de una batería de litio-ferrofosfato y una linterna LED integrada.

Los dispositivos móviles digitales se pueden cargar en una de las dos salidas USB (**2** y **4**, fig. **1** en la página 39). Además, el aparato se puede utilizar para hacer funcionar dispositivos de 12 V a través de la salida de CC (conexión para el adaptador de carga para el coche, **5**, fig. **1** en la página 39).

La batería portátil se puede cargar mediante la entrada USB-C (**2**, fig. **1** en la página 39) o la entrada de CC (**6**, fig. **1** en la página 39).

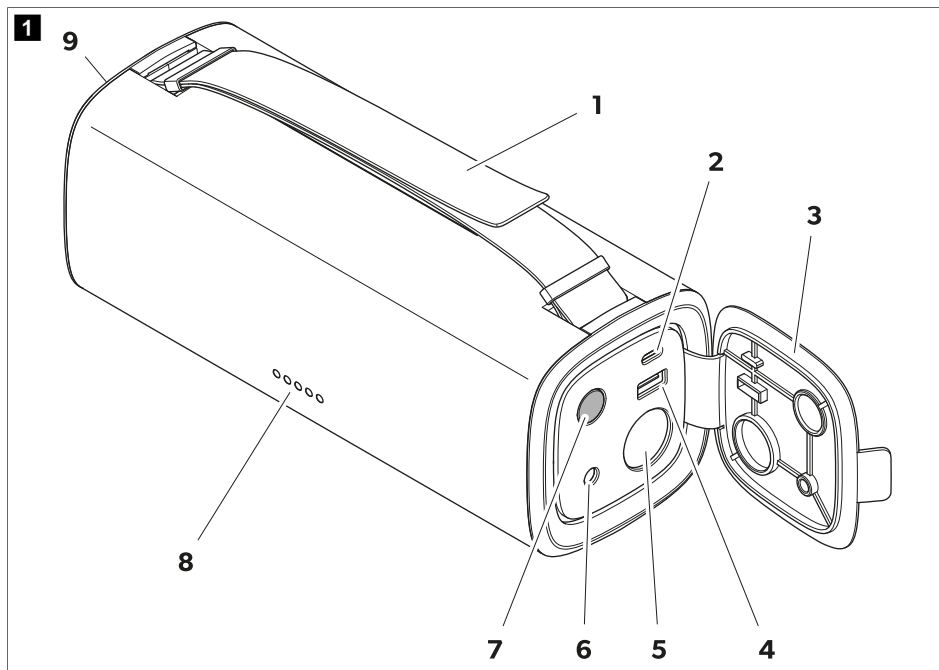
El proceso de carga y el estado de carga actual se muestran mediante el indicador de estado de la batería (**8**, fig. **1** en la página 39). El indicador de estado de la batería se activa en cuanto:

- Se carga la batería.
- Hay una carga conectada a la batería.
- Se enciende la linterna.

La batería portátil dispone de los siguientes mecanismos de protección:

- Protección contra altas y bajas temperaturas
- Protección contra sobrecorriente
- Protección contra sobretensión y subtensión en las entradas
- Protección contra sobretensión en las salidas
- Protección contra cortocircuitos
- Protección contra sobrecarga y descarga profunda

## Descripción del aparato



Núm.	Explicación	Núm.	Explicación
1	Asa de transporte ajustable	6	Entrada DC5525 (12 V ... 32 V)
2	Entrada/salida USB-C (5 V/3 A, 9 V/3 A, 12 V/3 A, /, 15 V/, 3 A 20 V/3 A)	7	Tecla ON/OFF
3	Tapa del aparato	8	Indicador LED de estado de la batería
4	Salida USB-A (5 V/2,4 A, 9 V/2 A, 12 V/1,5 A)	9	Linterna LED
5	Salida de CC (12 V/15 A)		

## 7 Funcionamiento



### ¡AVISO! Peligro de daños

Cargue la batería después de cada uso.



**NOTA** Es posible cargar dispositivos móviles digitales, hacer funcionar dispositivos de 12 V y cargar la batería al mismo tiempo.

### Antes del primer uso

- > Cargue la batería antes de utilizarla por primera vez hasta que esté completamente cargada (consulte el capítulo Cargar el juego de baterías en la página 40).

### Cargar el juego de baterías



### ¡AVISO! Peligro de daños

- Proporcione suficiente ventilación y asegúrese de que el calor generado durante el proceso de carga se puede disipar de la batería.
- Asegurarse de que el voltaje en circuito abierto ( $V_{ca}$ ) de la batería del vehículo o del panel solar no supere los 32 V.

El tiempo de carga necesario de la batería depende de la fuente de carga seleccionada y de la entrada de carga. La batería portátil se puede cargar hasta 60 W a través de la entrada USB-C o hasta 100 W a través de la entrada de CC. Al realizar la carga a través de la entrada USB-C y la entrada de CC simultáneamente, la potencia de carga se puede aumentar hasta 120 W.

La entrada de CC admite tanto la carga mediante baterías de vehículos como la carga mediante energía solar.

1. Coloque la batería sobre una base firme y resistente al calor.
  2. Abra la tapa del aparato para acceder a las conexiones y los controles.
  3. Conecte una fuente de alimentación adecuada (por ejemplo, la batería del vehículo o el panel solar) a la entrada de CC o a la entrada USB-C de la batería.
- ✓ El indicador de estado de la batería muestra el estado de carga (consulte el capítulo Comprobación del nivel de carga en la página 40). El LED del siguiente nivel de carga superior parpadea hasta que se alcanza el nivel de carga completa.

El proceso de carga se detiene automáticamente cuando la batería está completamente cargada. Todos los LED del indicador de estado de la batería están encendidos.

4. Después de la carga, retire todos los cables de carga y cierre la tapa del aparato.

### Comprobación del nivel de carga

- > Pulse el botón  para activar o desactivar el indicador de estado de la batería (8, fig. 1 en la página 39).



### NOTA

- El indicador de estado de la batería se apaga automáticamente si no hay carga ni ninguna fuente de carga conectada.
- En cuanto el estado de carga desciende por debajo del 5 %, el LED 1 comienza a parpadear para indicar que el estado de carga de la batería es bajo.



- ✓ El indicador de estado de la batería muestra el estado de carga entre el 0 % (descargada) y el 100 % (completamente cargada).

Indicador de estado de la batería					Capacidad de la batería
LED 1	LED 2	LED 3	LED 4	LED 5	
○	○	○	○	○	0 %
●	○	○	○	○	5 ... 20 %
●	●	○	○	○	21 ... 40 %
●	●	●	○	○	41 ... 60 %
●	●	●	●	○	61 ... 80 %
●	●	●	●	●	81 ... 100 %

## Uso de la linterna LED

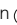



### ¡ATENCIÓN! Peligro de lesiones

Evite dirigir la mirada directamente a la linterna LED, ya que podría dañarle la vista.



**NOTA** La linterna se puede ajustar en 2 temperaturas de color: blanco neutro (a 4300 K) y blanco frío (a 6400 K).

1. Abra la tapa del aparato para acceder a las conexiones y los controles.
  2. Mantenga pulsado el botón  durante 3 s para encender o apagar la linterna.
- ✓ El indicador de estado de la batería está encendido.
3. Pulse el botón  para cambiar entre las temperaturas de color.



**NOTA** Si hay cargas o fuentes de carga conectadas, la temperatura de color blanco frío no está disponible y la linterna se establece en blanco neutro automáticamente.

4. Sujete la linterna por el asa de transporte. El asa de transporte se puede ajustar a la longitud necesaria.
5. Después del uso, cierre la tapa del aparato.

## Carga de dispositivos digitales mediante USB

La salida USB-C tiene una potencia de carga de 60 W y la salida USB-A tiene una potencia de carga de 18 W.



### NOTA

- La carga de dispositivos móviles digitales no es posible si el estado de carga de la batería es bajo (estado de carga 5 %).
- Es posible cargar dos dispositivos móviles digitales simultáneamente con las dos salidas USB.

1. Abra la tapa del aparato para acceder a las conexiones y los controles.
2. Seleccione un cable de carga con un adaptador adecuado en función de la salida USB que se vaya a utilizar y conecte la batería al dispositivo digital.

- ✓ El dispositivo digital se carga automáticamente a través de la batería. El indicador de estado de la batería muestra el estado de carga restante de la batería.
- 3. Después de la carga, retire todos los cables de carga y cierre la tapa del aparato.

## Funcionamiento de dispositivos de 12 V



### ¡AVISO! Peligro de daños

Proporcione suficiente ventilación y asegúrese de que el calor generado se puede disipar de la batería.



**NOTA** El funcionamiento de los dispositivos de 12 V no es posible en cuanto el estado de carga de la batería pasa a ser bajo (estado de carga 5 %).

La salida de CC proporciona una fuente de alimentación móvil con una potencia continua de hasta 150 W.

1. Coloque la batería sobre una base firme y resistente al calor.
2. Abra la tapa del aparato para acceder a las conexiones y los controles.
3. Conecte el cable de alimentación del dispositivo de 12 V a la salida de CC de la batería.
- ✓ El dispositivo de 12 V recibe alimentación automáticamente a través de la batería para su funcionamiento. El indicador de estado de la batería muestra el estado de carga restante de la batería.
4. Después del uso, desconecte el cable de alimentación del dispositivo de 12 V y cierre la tapa de la batería.

## 8 Limpieza y mantenimiento



### ¡ADVERTENCIA! Riesgo de electrocución

Desenchufe el aparato de la toma de corriente antes de proceder a su limpieza y mantenimiento.



### ¡AVISO! Peligro de daños

- Nunca limpie el aparato bajo un chorro de agua corriente ni inmerso en agua jabonosa.
  - No utilice objetos duros o afilados, productos de limpieza abrasivos ni lejía para limpiar el aparato, ya que podrían dañarlo.
- > Limpie de vez en cuando el aparato con un paño suave y húmedo.
- > Compruebe periódicamente si hay fallos de aislamiento, roturas o conexiones sueltas en los cables con tensión y el resto de líneas.

## 9 Almacenamiento




### ¡AVISO! Peligro de daños

- Guarde la batería únicamente si está completamente cargada. Recargue la batería guardada regularmente y, en caso de no utilizarla, al menos una vez cada 3 a 6 meses.
- Respete la temperatura de almacenamiento óptima especificada, ya que un almacenamiento prolongado a temperaturas demasiado altas o bajas puede repercutir en la vida útil y el rendimiento de la batería.

- > Guarde la batería en un lugar seco y bien ventilado donde esté protegida del polvo y la suciedad.
- > Compruebe regularmente el estado de carga de la batería (consulte el capítulo Comprobación del nivel de carga en la página 40).

## 10 Solución de problemas

Fallo	Posible causa	Propuesta de solución
La batería no funciona. El botón  no responde.	La batería está completamente descargada.	Cargue la batería (consulte el capítulo Cargar el juego de baterías en la página 40).
	Los cables con tensión tienen fallos de aislamiento, roturas o conexiones sueltas.	<ul style="list-style-type: none"> <li>&gt; Compruebe si hay fallos de aislamiento, roturas o conexiones sueltas en los cables con tensión.</li> <li>&gt; Si no encuentra ningún fallo, póngase en contacto con un técnico de mantenimiento autorizado.</li> </ul>
	Se ha activado la protección contra sobrecorriente de la batería. Se ha activado la protección contra cortocircuitos de la batería.	<ol style="list-style-type: none"> <li>1. Retire las cargas de las salidas USB-C, USB-A y de CC.</li> <li>2. Tenga en cuenta la carga máxima de las salidas (consulte el capítulo Datos técnicos en la página 44) al volver a conectar los dispositivos.</li> <li>3. Si la carga no se reinicia inmediatamente después de conectar los dispositivos, cargue la batería para reactivarla (consulte el capítulo Cargar el juego de baterías en la página 40).</li> </ol>

## 11 Eliminación



Reciclaje del material de embalaje: Si es posible, deseche el material de embalaje en el contenedor de reciclaje adecuado.



Reciclaje de productos con baterías no sustituibles, recargables o fuentes de luz:

- Si el producto contiene baterías no sustituibles, recargables o fuentes de luz, no es necesario que las extraiga antes de desecharlo.
- Cuando vaya a desechar definitivamente el producto, infórmese en el centro de reciclaje más cercano o en un comercio especializado sobre las normas pertinentes de gestión de residuos.
- El producto podrá desecharse gratuitamente.

## 12 Garantía

Se aplica el período de garantía estipulado por la ley. Si el producto es defectuoso, póngase en contacto con la sucursal del fabricante de su país (consulte [dometic.com/dealer](http://dometic.com/dealer)) o con su punto de venta.

Para tramitar la reparación y la garantía, incluya los siguientes documentos cuando envíe el aparato:

- Una copia de la factura con fecha de compra
- El motivo de la reclamación o una descripción de la avería

Tenga en cuenta que una reparación por medios propios o no profesionales puede tener consecuencias de seguridad y suponer la anulación de la garantía.

## 13 Datos técnicos

<b>Batería</b>	
Tipo de batería	Litio-ferrofosfato/LiFePO4
Capacidad nominal de la batería	15 Ah
Tensión nominal de la batería	12,8 V $\approx$
<b>Salida USB-A</b>	
Tensión de salida/corriente nominal	5 V $\approx$ /2,4 A, 9 V $\approx$ /2 A, 12 V $\approx$ /1,5 A
<b>Entrada/salida USB-C</b>	
Rango de tensión de carga	5 ... 20 V $\approx$
Corriente de entrada	3 A
<b>Salida CC</b>	
Tensión de salida	12 V $\approx$
Corriente nominal	15 A
<b>DC-Input</b>	
Rango de tensión de carga	12 ... 32 V $\approx$
Corriente de entrada máxima	5,5 A
<b>Linterna LED</b>	
Blanco frío	
<ul style="list-style-type: none"> <li>• Potencia de iluminación LED</li> <li>• Lumen</li> </ul>	4,5 W $\pm$ 0,5 W 160 lm $\pm$ 10 lm
Blanco neutro	
<ul style="list-style-type: none"> <li>• Potencia de iluminación LED</li> <li>• Lumen</li> </ul>	2,5 W $\pm$ 0,5 W 50 lm $\pm$ 10 lm
<b>Datos técnicos generales</b>	
Temperatura ambiente para el funcionamiento:	-10 °C ... 45 °C
Temperatura de carga	0 °C ... 45 °C

Rango de temperatura de almacenamiento	-20 °C ... 60 °C
Tasa de autodescarga máxima a 25 °C	5 % al mes
Humedad ambiental	≤ 95 %, sin condensación
Grado de protección	IP 44
Vida útil	2000 ciclos de carga
Dimensiones (An x Al x Pr):	85 × 222 × 85 mm
Peso	1,8 kg
Inspección/certificados	

## Português

1	Notas importantes.....	46
2	Explicação dos símbolos.....	46
3	Indicações de segurança.....	47
4	Material fornecido.....	48
5	Utilização adequada.....	49
6	Descrição técnica.....	49
7	Operação.....	51
8	Limpeza e manutenção.....	53
9	Armazenar.....	53
10	Resolução de falhas.....	54
11	Eliminação.....	54
12	Garantia.....	55
13	Dados técnicos.....	55

## 1 Notas importantes

Leia atentamente as presentes instruções e siga todas as instruções, orientações e avisos incluídos neste manual, de modo a garantir a correta instalação, utilização e manutenção do produto. É OBRIGATÓRIO manter estas instruções junto com o produto.

Ao utilizar o produto, está a confirmar que leu atentamente todas as instruções, orientações e avisos, e que compreende e aceita cumprir os termos e condições estabelecidos no presente manual. Aceita utilizar este produto exclusivamente para o fim e a aplicação a que se destina e de acordo com as instruções, orientações e avisos estabelecidos neste manual, assim como de acordo com todas as leis e regulamentos aplicáveis. Caso não leia nem siga as instruções e os avisos aqui estabelecidos, poderá sofrer ferimentos pessoais ou causar ferimentos a terceiros e o produto ou outros materiais nas proximidades poderão ficar danificados. Este manual do produto, incluindo as instruções, orientações e avisos, bem como a documentação relacionada, podem estar sujeitos a alterações e atualizações. Para consultar as informações atualizadas do produto, visite [documents.dometic.com](http://documents.dometic.com).

## 2 Explicação dos símbolos



### AVISO!

Indica uma situação perigosa que, se não for evitada, pode causar a morte ou ferimentos graves.



### PRECAUÇÃO!

Indica uma situação perigosa que, se não for evitada, pode causar ferimentos ligeiros ou moderados.



### NOTA!

Indica uma situação que, se não for evitada, pode causar danos materiais.



**OBSERVAÇÃO** Informações complementares para a utilização do produto.

## 3 Indicações de segurança

### Princípios básicos de segurança



#### AVISO! Risco de eletrocussão

- Não coloque o aparelho em funcionamento se este apresentar danos visíveis.
- O aparelho apenas pode ser reparado por pessoal qualificado. Reparações inadequadas podem dar origem a perigos consideráveis.
- Não desmonte o aparelho.
- Não altere nem adapte nenhum dos componentes, seja de que modo for.
- Utilize apenas os acessórios e as peças sobressalentes recomendadas pelo fabricante.
- Não use o aparelho em condições de humidade nem o submerja em qualquer líquido. Armazene-a num local seco.
- Desligue o aparelho e desligue-o da fonte de alimentação antes de cada limpeza ou manutenção e após cada utilização.



#### AVISO! Perigo de ferimentos

As baterias podem conter ácidos agressivos e cáusticos. Evite qualquer tipo de contacto do corpo com o líquido das baterias. Se a sua pele entrar em contacto com o líquido da bateria, lave bem essa zona do corpo com água abundante. Em caso de ferimentos resultantes de ácidos, consulte um médico imediatamente.



#### AVISO! Risco para a saúde

- Não abra nem danifique as baterias nem permita que penetrem no ambiente, uma vez que contém metais pesados tóxicos e nocivos para o ambiente.
- Este aparelho pode ser utilizado por crianças a partir dos 8 anos e pessoas com capacidades físicas, sensoriais ou mentais reduzidas ou sem experiência e conhecimento se forem supervisionadas ou receberem instruções sobre a utilização do aparelho de forma segura e compreenderem os perigos implicados.
- **Os aparelhos elétricos não são brinquedos.** Guarde e utilize sempre o aparelho fora do alcance de crianças muito pequenas.
- As crianças têm de ser supervisionadas, por forma a garantir que não brincam com o aparelho.
- A limpeza e a manutenção não podem ser efetuadas por crianças sem supervisão.



#### NOTA! Risco de danos

- Antes da colocação em funcionamento, verifique se a especificação de tensão na placa de características coincide com a da fonte de alimentação.
- Certifique-se de que está **excluída** a possibilidade de outros objetos causarem curto-circuitos nos contactos do aparelho.
- Garanta que os polos negativo e positivo **nunca** entram em contacto um com o outro.
- Não utilize os cabos como uma pega.

### Utilização segura do aparelho



#### PRECAUÇÃO! Perigo de explosão

- **Não** opere o aparelho nas seguintes condições:

Em ambientes salíferos, húmidos ou molhados

Nas proximidades de vapores corrosivos

Nas proximidades de materiais inflamáveis

Em áreas nas quais existe perigo de explosão de gás ou de poeiras.

- Nunca tente carregar uma bateria congelada ou com defeito. Neste caso, guarde a bateria num local onde não ocorra congelação e aguarde até a bateria estar adaptada à temperatura ambiente.
- Não coloque o aparelho na proximidade de fontes de calor (aquecedores, luz solar direta, fornos a gás, etc.).
- Não fume, não utilize chama aberta nem provoque faíscas nas proximidades da bateria.
- Não deixe o aparelho sem supervisão durante o funcionamento.



#### **PRECAUÇÃO! Risco de eletrocussão**

- Antes de ligar o aparelho, garanta que o cabo da fonte de alimentação e a ficha estão secas e que a ficha não apresenta ferrugem ou sujidade.
- Ao trabalhar em sistemas elétricos, certifique-se de que há alguém por perto que possa ajudar em caso de emergência.
- Coloque os cabos de tal modo que estes não possam ser danificados por arestas cortantes, portas ou pelo capô. **Não** instale nenhum cabo de tal modo que este fique muito dobrado. Cabos esmagados podem originar ferimentos graves.
- Não desconecte nenhum cabo enquanto o aparelho estiver em funcionamento.



#### **PRECAUÇÃO! Perigo de incêndio**

- Não deixe cair o aparelho, nem bata ou aplique força excessiva no aparelho para evitar danos em peças exteriores e interiores.
- O aparelho não deve ser colocado junto de ambientes com materiais inflamáveis.



#### **PRECAUÇÃO! Perigo de ferimentos**

Ao posicionar o aparelho, assegure-se de que todos os cabos estão fixados de modo adequado para evitar risco de tropeçar.



#### **NOTA! Risco de danos**

- Certifique-se de que as entradas e saídas de ar do aparelho não estão tapadas.
- Garanta uma boa ventilação.
- Coloque o aparelho num local seco e protegido contra salpicos de água.
- Nunca retire a ficha da tomada puxando pelo cabo.
- Enrole o cabo de forma folgada ao armazenar; o enrolamento apertado pode danificar o cabo e as peças internas.
- Evite a descarga profunda do aparelho.

## **4 Material fornecido**

<b>Quantidade</b>	<b>Descrição</b>
1	Bateria portátil
1	Cabo de carregamento (USB-C para USB-C)



Quantidade	Descrição
1	Cabo de carregamento para automóvel (porta de isqueiro para DC5525)
1	Manual de instruções resumido
1	Manual de instruções (apenas digital)

## 5 Utilização adequada

A bateria destina-se ao carregamento de aparelhos digitais móveis (por exemplo, telemóveis, tablets, portáteis, câmaras, etc.), operação de aparelhos de 12 V (por exemplo, bombas de ar, geleiras e outros equipamentos para o exterior), e para utilização como lanterna.

A bateria portátil é adequada para utilização no exterior, por exemplo, em viagens de turismo.

A bateria portátil **não** é adequada para

- Ligação paralela a outras baterias portáteis
- Utilização comercial

Este produto destina-se exclusivamente à aplicação e aos fins pretendidos com base nestas instruções.

Este manual fornece informações necessárias para proceder a uma instalação e/ou a uma operação adequadas do produto. Uma instalação e/ou uma operação ou manutenção incorretas causarão um desempenho insatisfatório e uma possível avaria.

O fabricante não aceita qualquer responsabilidade por danos ou prejuízos no produto resultantes de:

- Instalação, montagem ou ligação incorretas, incluindo sobretensões
- Manutenção incorreta ou utilização de peças sobressalentes não originais fornecidas pelo fabricante
- Alterações ao produto sem autorização expressa do fabricante
- Utilização para outras finalidades que não as descritas no presente manual

A Dometic reserva-se o direito de alterar o design e as especificações do produto.

## 6 Descrição técnica

### Descrição geral

A bateria está equipada com uma bateria de fosfato de ferro-lítio e uma lanterna LED integrada.

Os aparelhos digitais móveis podem ser carregados com uma das duas saídas USB (**2** e **4**, fig. **1** na página 50). Além disso, o aparelho pode ser utilizado para operar aparelhos de 12 V através da saída CC (ligação para o adaptador de carregamento para automóvel, **5**, fig. **1** na página 50).

A bateria pode ser carregada através da entrada USB-C (**2**, fig. **1** na página 50) ou da entrada CC (**6**, fig. **1** na página 50).

O processo de carregamento e o estado de carga atual são apresentados pelo indicador de estado da bateria (**8**, fig. **1** na página 50). O indicador de estado da bateria é ativado assim que:

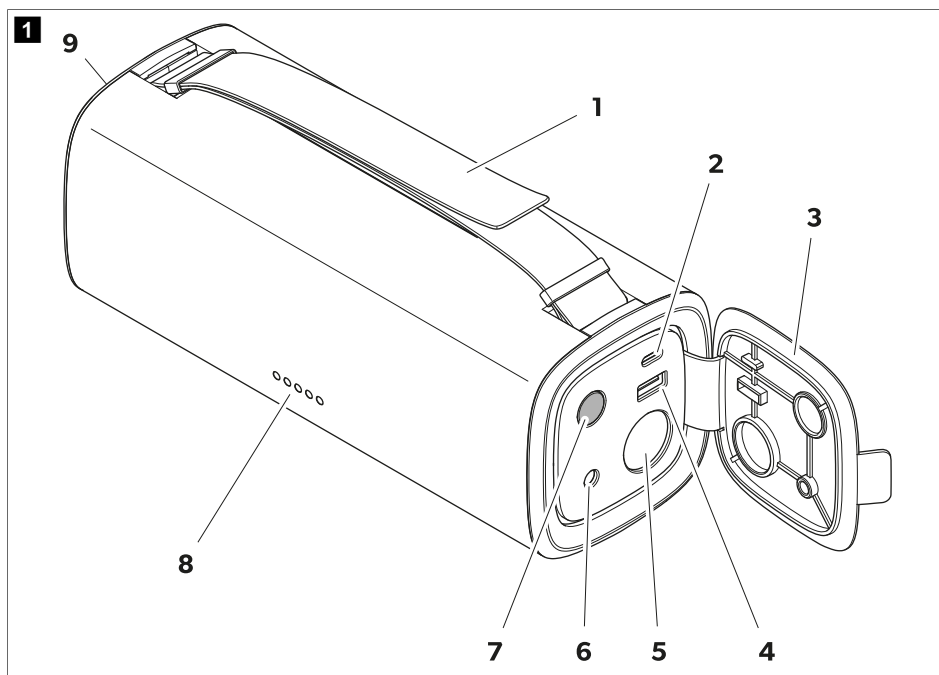
- A bateria estiver a ser carregada.
- Uma carga estiver ligada à bateria.

- A lanterna estiver ligada.

A bateria portátil integra os seguintes mecanismos de proteção:

- Proteção contra temperatura elevada e baixa
- Proteção contra sobrecarga
- Proteção contra sobretensão e subtensão nas entradas
- Proteção contra sobretensão nas saídas
- Proteção contra curto-circuito
- Proteção contra sobrecarga e descarga profunda

## Designação do aparelho



N.º	Explicação	N.º	Explicação
1	Pega de transporte ajustável	6	Entrada DC5525 (12 V ... 32 V)
2	Entrada/saída USB-C (5 V/3 A, 9 V/3 A, 12 V/3 A, 15 V/3 A, 20 V/3 A)	7	Botão "Ligar/Desligar"
3	Tampa do aparelho	8	Indicador LED de estado da bateria
4	Saída USB-A (5 V/2,4 A, 9 V/2 A, 12 V/1,5 A)	9	Luz LED
5	Saída CC (12 V/15 A)		

## 7 Operação



### NOTA! Risco de danos

Carregue a bateria após cada utilização.



**OBSERVAÇÃO** É possível carregar aparelhos digitais móveis, operar aparelhos de 12 V e carregar a bateria ao mesmo tempo.

### Antes da primeira utilização

- > Carregue a bateria antes da primeira utilização até estar totalmente carregada (consulte o capítulo Carregar a bateria na página 51).

### Carregar a bateria



### NOTA! Risco de danos

- Forneça ventilação suficiente e certifique-se de que o calor gerado durante o processo de carregamento pode ser dissipado da bateria.
- Certifique-se de que a tensão em circuito aberto (VoC) da bateria do veículo ou do módulo solar não excede 32 V.

O tempo de carregamento necessário da bateria depende da fonte de carregamento selecionada e da entrada de carregamento. A bateria portátil pode ser carregada até 60 W através da entrada USB-C ou até 100 W através da entrada CC. Ao carregar através da entrada USB-C e da entrada CC em simultâneo, a potência de carregamento pode ser aumentada até 120 W.

A entrada CC suporta o carregamento por baterias do veículo e por energia solar.

1. Coloque a bateria numa base firme e resistente ao calor.
  2. Abra a tampa do aparelho para aceder às ligações e aos controlos.
  3. Ligue uma fonte de alimentação adequada (por exemplo, bateria do veículo, painel solar) à entrada CC ou à entrada USB-C da bateria.
- ✓ O indicador de estado da bateria apresenta o estado de carga (consulte o capítulo Verificar o estado de carga na página 51). O LED do nível de carga superior seguinte começa a piscar até ser atingido o nível de carga total.

O processo de carregamento para automaticamente quando a bateria está totalmente carregada. Todos os LED do indicador de estado da bateria estão acesos.

4. Após o carregamento, retire todos os cabos de carregamento e feche a tampa do aparelho.

### Verificar o estado de carga

- > Prima o botão  para ativar ou desativar o indicador de estado da bateria (8, fig. 1 na página 50).



### OBSERVAÇÃO

- O indicador de estado da bateria desliga-se automaticamente se não houver carga e se não houver uma fonte de carregamento ligada.
- Assim que o estado de carga for inferior a 5 %, o LED 1 começa a piscar para indicar um estado de bateria baixo.

- ✓ O indicador de estado da bateria apresenta o estado de carga entre 0 % (descarregada) e 100 % (totalmente carregada).

Indicador de estado da bateria					Capacidade da bateria
LED 1	LED 2	LED 3	LED 4	LED 5	
○	○	○	○	○	0 %
●	○	○	○	○	5 ... 20 %
●	●	○	○	○	21 ... 40 %
●	●	●	○	○	41 ... 60 %
●	●	●	●	○	61 ... 80 %
●	●	●	●	●	81 ... 100 %

## Utilizar a luz LED





### PRECAUÇÃO! Perigo de ferimentos

Evite olhar diretamente para a luz LED pois isso pode ferir os seus olhos.



**OBSERVAÇÃO** A lanterna é ajustável em 2 temperaturas de cor: Branco neutro (a 4300 K) e branco frio (a 6400 K).

1. Abra a tampa do aparelho para aceder às ligações e aos controlos.
2. Mantenha premido o botão  durante 3 s para ligar ou desligar a lanterna.

- ✓ O indicador de estado da bateria está aceso.
3. Prima o botão  para alternar entre as temperaturas de cor.



**OBSERVAÇÃO** Se estiverem ligadas cargas ou fontes de carregamento, a temperatura da cor branca fria não está disponível e a lanterna é automaticamente definida para branco neutro.

4. Segure a lanterna pela pega de transporte. A pega de transporte pode ser ajustada para o comprimento pretendido.
5. Após a utilização, feche a tampa do aparelho.

## Carregar aparelhos digitais através de USB

A saída USB-C tem uma potência de carregamento de 60 W, a saída USB-A tem uma potência de carregamento de 18 W.



### OBSERVAÇÃO

- O carregamento de aparelhos digitais móveis não é possível se o estado da bateria for baixo (estado de carga < 5 %).
- É possível carregar dois aparelhos digitais móveis ao mesmo tempo utilizando as duas saídas USB.

1. Abra a tampa do aparelho para aceder às ligações e aos controlos.

2. Selecione um cabo de carregamento com um adaptador adequado, dependendo da saída USB a ser utilizada, e ligue a bateria ao aparelho digital.
- ✓ O aparelho digital é carregado automaticamente através da bateria. O indicador de estado da bateria apresenta o estado de carga restante da bateria.
3. Após o carregamento, retire todos os cabos de carregamento e feche a tampa do aparelho.

## Operar aparelhos de 12 V



### NOTA! Risco de danos

Forneça ventilação suficiente e certifique-se de que o calor gerado pode ser dissipado da bateria.



**OBSERVAÇÃO** A operação de aparelhos de 12 V não é possível quando o estado da bateria for baixo (estado de carga < 5 %).

A saída CC fornece uma fonte de alimentação móvel com até 150 W de alimentação contínua.

1. Coloque a bateria numa base firme e resistente ao calor.
2. Abra a tampa do aparelho para aceder às ligações e aos controlos.
3. Ligue o cabo de alimentação do aparelho de 12 V à saída CC da bateria.
- ✓ O aparelho de 12 V é automaticamente alimentado com energia para operação através da bateria. O indicador de estado da bateria apresenta o estado de carga restante da bateria.
4. Após a utilização, desligue o cabo de alimentação do aparelho de 12 V e feche a tampa do aparelho da bateria.

## 8 Limpeza e manutenção



### AVISO! Risco de eletrocussão

Desligue o aparelho da fonte de alimentação antes de cada trabalho de limpeza e manutenção.



### NOTA! Risco de danos

- Nunca limpe o aparelho sob água corrente nem em água de lavagem suja.
- Ao limpar, não utilize objetos afiados ou duros, nem produtos de limpeza abrasivos ou lixívia, uma vez que estes podem danificar o aparelho.

- > Limpe o aparelho ocasionalmente com um pano macio e húmido.
- > Verifique regularmente os cabos ou linhas sob tensão quanto a danos no isolamento, ruturas ou ligações soltas.

## 9 Armazenar




### NOTA! Risco de danos

- Guarde a bateria apenas totalmente carregada. Recarregue a bateria guardada regularmente e pelo menos a cada 3 a 6 meses, mesmo que esteja sem utilização.

- Cumpra a temperatura de armazenamento ideal especificada, uma vez que o armazenamento por longos períodos a temperaturas altas e baixas pode prejudicar a vida útil e o desempenho da bateria.
- > Guarde a bateria num local bem ventilado e seco, onde esteja protegida do pó e da sujidade.
- > Verifique regularmente o estado de carga da bateria (consulte o capítulo *Verificar o estado de carga na página 51*).

## 10 Resolução de falhas

Falha	Possível causa	Sugestão de solução
A bateria não funciona. O botão  não reage.	A bateria está profundamente descarregada.	Carregue a bateria (consulte o capítulo <i>Carregar a bateria na página 51</i> ).
	Danos no isolamento, ruturas ou ligações soltas nos cabos sob tensão.	<ul style="list-style-type: none"> <li>&gt; Verifique os cabos sob tensão quanto a danos no isolamento, ruturas ou ligações soltas.</li> <li>&gt; Se não encontrar erros, contacte um agente de assistência técnica autorizado.</li> </ul>
	Proteção contra sobrecarga de corrente da bateria acionada. Proteção contra curto-circuito da bateria acionada.	<ol style="list-style-type: none"> <li>1. Retire as cargas das saídas USB-C, USB-A e CC.</li> <li>2. Respeite a carga máxima das saídas (consulte o capítulo <i>Dados técnicos na página 55</i>) quando voltar a ligar os aparelhos.</li> <li>3. Se o carregamento não reiniciar imediatamente após ligar os aparelhos, carregue a bateria para a reativar (consulte o capítulo <i>Carregar a bateria na página 51</i>).</li> </ol>

## 11 Eliminação



Reciclagem do material de embalagem: Sempre que possível, coloque o material de embalagem no respetivo contentor de reciclagem.



Reciclagem de produtos com baterias não substituíveis, baterias recarregáveis ou fontes de luz:

- se o produto contiver quaisquer pilhas, baterias recarregáveis ou fontes de luz não substituíveis, não tem de as remover antes da eliminação.
- Para eliminar definitivamente o produto, informe-se junto do centro de reciclagem ou revendedor mais próximo sobre as disposições de eliminação aplicáveis.
- O produto pode ser eliminado gratuitamente.

## 12 Garantia

Aplica-se o prazo de garantia legal. Se o produto apresentar defeitos, contacte a filial do fabricante no seu país (ver [dometic.com/dealer](http://dometic.com/dealer)) ou o seu revendedor.


Para fins de reparação ou de garantia, terá de enviar também os seguintes documentos:

- Uma cópia da fatura com a data de aquisição
- Um motivo de reclamação ou uma descrição da falha

Tenha em atenção que as reparações feitas por si ou por não profissionais podem ter consequências sobre a segurança e anular a garantia.

## 13 Dados técnicos

<b>Conjunto de bateria</b>	
Tipo de bateria	Fosfato de ferro-lítio/LiFePO4
Capacidade nominal da bateria	15 Ah
Tensão nominal da bateria	12,8 V <sup>nom</sup>
<b>Saída USB-A</b>	
Tensão de saída/corrente nominal	5 V <sup>nom</sup> /2,4 A, 9 V <sup>nom</sup> /2 A, 12 V <sup>nom</sup> /1,5 A
<b>Entrada/saída USB-C</b>	
Intervalo de tensão de carregamento	5 ... 20 V <sup>nom</sup>
Corrente de entrada	3 A
<b>Saída CC</b>	
Tensão de saída	12 V <sup>nom</sup>
Corrente estipulada	15 A
<b>Entrada DC</b>	
Intervalo de tensão de carregamento	12 ... 32 V <sup>nom</sup>
Corrente de entrada máxima	5,5 A
<b>Luz LED</b>	
Branco frio	
<ul style="list-style-type: none"> <li>• Potência de iluminação LED</li> <li>• Lúmen</li> </ul>	4,5 W ± 0,5 W 160 lm ± 10 lm
Branco neutro	
<ul style="list-style-type: none"> <li>• Potência de iluminação LED</li> <li>• Lúmen</li> </ul>	2,5 W ± 0,5 W 50 lm ± 10 lm
<b>Dados técnicos gerais</b>	
Temperatura ambiente do funcionamento	-10 °C ... 45 °C
Temperatura de carregamento	0 °C ... 45 °C

Intervalo de temperatura de armazenamento	-20 °C ... 60 °C
Nível máximo de descarga espontânea a 25 °C	5 % por mês
Humidade do ar ambiente	≤ 95 %, sem condensação
Tipo de proteção	IP 44
Durabilidade	2000 ciclos de carregamento
Dimensões (LxAxP)	85 × 222 × 85 mm
Peso	1,8 kg
Teste/certificados	



# Italiano

1	Note importanti.....	57
2	Spiegazione dei simboli.....	57
3	Istruzioni per la sicurezza.....	58
4	Dotazione.....	59
5	Destinazione d'uso.....	60
6	Descrizione delle caratteristiche tecniche.....	60
7	Funzionamento.....	62
8	Pulizia e cura.....	64
9	Immagazzinamento.....	64
10	Risoluzione dei problemi.....	65
11	Smaltimento.....	65
12	Garanzia.....	65
13	Specifiche tecniche.....	66

## 1 Note importanti

Si prega di leggere attentamente e di seguire tutte le istruzioni, le linee guida e le avvertenze incluse in questo manuale del prodotto, al fine di garantire che il prodotto venga sempre installato, utilizzato e mantenuto nel modo corretto. Queste istruzioni DEVONO essere conservate insieme al prodotto.

Utilizzando il prodotto, l'utente conferma di aver letto attentamente tutte le istruzioni, le linee guida e le avvertenze e di aver compreso e accettato di rispettare i termini e le condizioni qui espressamente indicati. L'utente accetta di utilizzare questo prodotto solo per lo scopo e l'applicazione previsti e in conformità con le istruzioni, le linee guida e le avvertenze indicate nel presente manuale del prodotto, nonché in conformità con tutte le leggi e i regolamenti applicabili. La mancata lettura e osservanza delle istruzioni e delle avvertenze qui espressamente indicate può causare lesioni personali e a terzi, danni al prodotto o ad altre proprietà nelle vicinanze. Il presente manuale del prodotto, comprese le istruzioni, le linee guida e le avvertenze e la relativa documentazione possono essere soggetti a modifiche e aggiornamenti. Per informazioni aggiornate sul prodotto, visitare [documents.dometic.com](http://documents.dometic.com).

## 2 Spiegazione dei simboli



### AVVERTENZA!

indica una situazione di pericolo che, se non evitata, potrebbe provocare lesioni gravi o mortali.



### ATTENZIONE!

indica una situazione di pericolo che, se non evitata, potrebbe provocare lesioni di entità lieve o moderata.



### AVVISO!

Indica una situazione di pericolo che, se non evitata, può provocare danni alle cose.



**NOTA** Informazioni integranti relative all'impiego del prodotto.

## 3 Istruzioni per la sicurezza

### Sicurezza generale



#### AVVERTENZA! Pericolo di scosse elettriche

- Non mettere in funzione l'apparecchio se presenta danni visibili.
- L'apparecchio può essere riparato solo da personale qualificato. Riparazioni eseguite non correttamente possono creare considerevoli rischi.
- Non smontare l'apparecchio.
- Non modificare o adattare alcun componente in alcun modo.
- Utilizzare esclusivamente gli accessori e le parti di ricambio raccomandati dal fabbricante.
- Non utilizzare il dispositivo in ambienti bagnati né immergerlo in sostanze liquide. Conservare in un luogo asciutto.
- Spegnere l'apparecchio e scollegarlo dall'alimentazione prima di eseguire operazioni di pulizia e manutenzione e dopo ciascun uso.



#### AVVERTENZA! Rischio di lesioni

Le batterie contengono acidi aggressivi e corrosivi. Evitare che il liquido delle batterie venga a contatto con la pelle. In caso di contatto della pelle con il liquido della batteria, lavare accuratamente la parte del corpo interessata con acqua. Qualora si verificano ferite dovute all'acido, consultare immediatamente un medico.



#### AVVERTENZA! Pericolo per la salute

- Non aprire o danneggiare le batterie e non permettere che vengano a contatto con l'ambiente, poiché contengono metalli pesanti tossici e nocivi per l'ambiente.
- Questo apparecchio può essere utilizzato da bambini di età superiore a 8 anni, da persone con ridotte capacità fisiche, sensoriali o mentali o da persone inesperte o prive di conoscenze specifiche solo se sorvegliate o preventivamente istruite sull'impiego dell'apparecchio in sicurezza e se informate dei pericoli legati al prodotto stesso.
- **I dispositivi elettrici non sono giocattoli.** Conservare e utilizzare l'apparecchio lontano dalla portata dei bambini molto piccoli.
- Controllare che i bambini non giochino con questo apparecchio.
- La pulizia e la manutenzione non devono essere eseguite da bambini senza la presenza di un adulto.



#### AVVISO! Rischio di danni

- Prima della messa in funzione, confrontare i dati della tensione riportati sulla targhetta con quelli dell'alimentazione.
- Assicurarsi che altri oggetti **non possano** causare un cortocircuito sui contatti dell'apparecchio.
- Assicurarsi che i poli negativi e positivi non entrino **mai** in contatto.
- Non usare i cavi come maniglie.

### Sicurezza durante l'utilizzo del dispositivo



#### ATTENZIONE! Pericolo di esplosione

- **Non** utilizzare l'apparecchio nelle condizioni seguenti:

in ambienti salini, umidi o bagnati  
 in prossimità di vapori aggressivi  
 in prossimità di materiali infiammabili  
 In aree a rischio di esplosione di gas o polvere

- Non tentare mai di caricare una batteria congelata o difettosa. Collocare il gruppo batterie in un'area non soggetta a congelamento e attendere che la batteria si sia acclimatata alla temperatura ambiente.
- Non collocare il dispositivo nelle vicinanze di fonti di calore (riscaldamenti, luce solare diretta, forni a gas ecc.).
- Non fumare, utilizzare fiamme libere o scintille in prossimità del gruppo batterie.
- Non lasciare l'apparecchio incustodito quando è in funzione.



#### **ATTENZIONE! Pericolo di scosse elettriche**

- Prima di avviare l'apparecchio, assicurarsi che il cavo di alimentazione e la spina siano asciutti e che la spina sia priva di ruggine o sporcizia.
- Quando si eseguono lavori agli impianti elettrici, assicurarsi che nelle vicinanze si trovi qualcuno in grado di intervenire in caso di necessità.
- Posare i cavi in modo che non possano essere danneggiati da bordi affilati, porte o cofani. **Non** posare i cavi creando strozzature. Cavi schiacciati possono causare lesioni gravi.
- Non staccare nessun cavo se il dispositivo è ancora in funzione.



#### **ATTENZIONE! Pericolo di incendio**

- Non far cadere, colpire o esercitare una forza eccessiva sull'apparecchio per evitare di danneggiare le parti interne ed esterne.
- Non posizionare l'apparecchio in prossimità di materiali infiammabili.



#### **ATTENZIONE! Rischio di lesioni**

Durante il posizionamento dell'apparecchio, assicurarsi che tutti i cavi siano adeguatamente fissati per evitare qualsiasi rischio di inciampo.



#### **AVVISO! Rischio di danni**

- Assicurarsi che gli ingressi e le uscite dell'aria del dispositivo non siano coperte.
- Garantire una buona ventilazione.
- Installare l'apparecchio in un luogo asciutto e protetto da eventuali spruzzi d'acqua.
- Non estrarre mai la spina dalla presa tirando il cavo.
- Avvolgere il cavo in modo allentato per riporlo, un avvolgimento stretto può danneggiare il cavo e le parti interne.
- Evitare di scaricare completamente l'apparecchio.

## 4 Dotazione

Quantità	Descrizione
1	Gruppo batterie portatile
1	Cavo di ricarica (da USB-C a USB-C)

Quantità	Descrizione
1	Cavo di ricarica per auto (porta accendisigari a DC5525)
1	Guida rapida d'uso
1	Istruzioni per l'uso (solo digitale)

## 5 Destinazione d'uso

Il gruppo batterie portatile è destinato alla ricarica di dispositivi mobili digitali (ad esempio, smartphone, tablet, computer portatili, fotocamere e così via) o all'utilizzo di dispositivi a 12 V (ad esempio, pompe dell'aria, scatole di raffreddamento e altre apparecchiature esterne). Può infine essere impiegato anche come torcia.

Il gruppo batterie portatile è adatto per l'uso all'aperto, ad esempio in caso di viaggi.

Il gruppo batterie portatile **non** è adatto per:

- il collegamento in parallelo con altri gruppi batterie portatili;
- uso commerciale.

Questo prodotto è adatto solo per l'uso e l'applicazione previsti in conformità con le presenti istruzioni.

Il presente manuale fornisce le informazioni necessarie per la corretta installazione e/o il funzionamento del prodotto. Un'installazione errata e/o un utilizzo o una manutenzione impropri comporteranno prestazioni insoddisfacenti e un possibile guasto.

Il produttore non si assume alcuna responsabilità per eventuali lesioni o danni al prodotto che derivino da:

- installazione, montaggio o collegamento errati, compresa la sovratensione
- manutenzione non corretta o uso di ricambi diversi da quelli originali forniti dal produttore
- modifiche al prodotto senza esplicita autorizzazione del produttore
- impiego per scopi diversi da quelli descritti nel presente manuale.

Dometic si riserva il diritto di modificare l'aspetto e le specifiche del prodotto.

## 6 Descrizione delle caratteristiche tecniche

### Descrizione generale

Il gruppo batterie è dotato di una batteria al litio-ferro-fosfato e di una torcia a LED integrata.

I dispositivi mobili digitali possono essere caricati su una delle due uscite USB (**2** e **4**, fig. **1** alla pagina 61). Inoltre, l'apparecchio può essere utilizzato per utilizzare dispositivi a 12 V tramite l'uscita a corrente continua (collegamento per l'adattatore di ricarica per auto, **5**, fig. **1** alla pagina 61).

Il gruppo batterie portatile può essere caricato tramite l'ingresso USB-C (**2**, fig. **1** alla pagina 61) o l'ingresso a corrente continua (**6**), fig. **1** alla pagina 61

Il processo e lo stato di carica sono visibili attraverso l'indicatore di stato della batteria (**8**, fig. **1** alla pagina 61). Tale indicatore si attiva non appena:

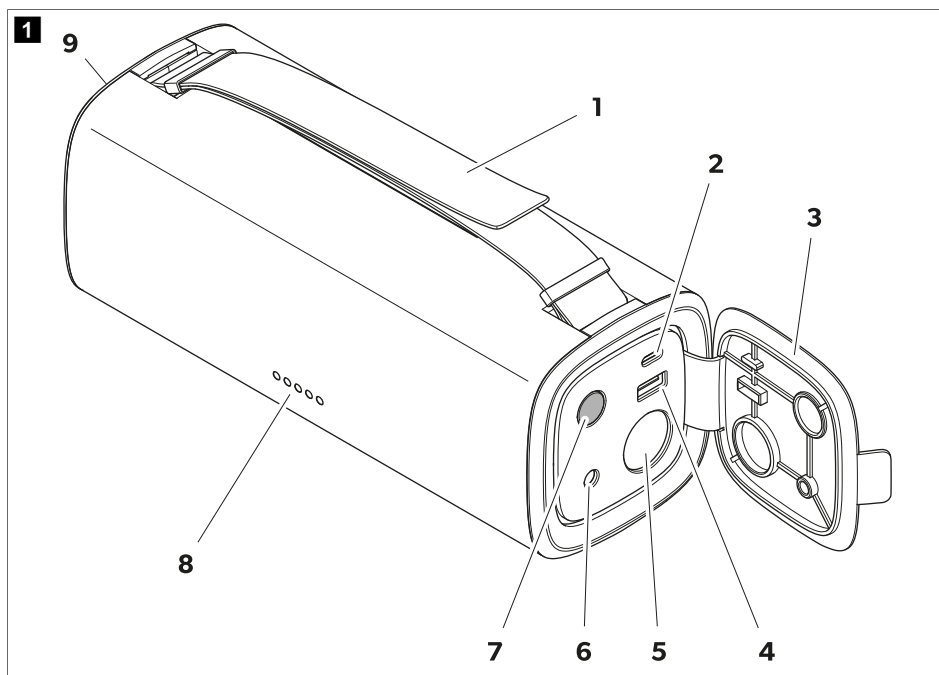
- il gruppo batterie viene caricato;
- un carico è collegato al gruppo batterie;

- la torcia viene accesa.

Il gruppo batterie portatile dispone dei seguenti meccanismi di protezione:

- protezione da alte e basse temperature
- protezione da sovracorrente
- protezione da sovratensione e sottotensione in corrispondenza degli ingressi
- protezione da sovratensione in corrispondenza delle uscite
- protezione da cortocircuito
- protezione da sovraccarico e scaricamento completo

## Descrizione dell'apparecchio



Pos.	Spiegazione	Pos.	Spiegazione
1	Maniglia regolabile	6	Ingresso DC5525 (12 V ... 32 V)
2	Ingresso/uscita USB-C (5 V/3 A, 9 V/ , /3 A 12 V3 A, / , 15 V/3 A, 20 V/3 A)	7	Tasto On / Off
3	Coperchio dell'apparecchio	8	Indicatore LED di stato della batteria
4	Uscita USB-A (5 V/2,4 A, 9 V/2 A, / 12 V1,5 A)	9	Torcia a LED
5	Uscita a corrente continua (12 V/15 A)		

## 7 Funzionamento



### AVVISO! Rischio di danni

Ricaricare il gruppo batterie dopo ogni uso.



**NOTA** È possibile ricaricare i dispositivi mobili digitali, utilizzare i dispositivi a 12 V e ricaricare il gruppo batterie contemporaneamente.

### Prima del primo uso

- > Caricare completamente il gruppo batterie prima di utilizzarlo per la prima volta (vedere il capitolo Ricarica del gruppo batterie alla pagina 62).

### Ricarica del gruppo batterie



### AVVISO! Rischio di danni

- Garantire una ventilazione sufficiente e assicurarsi che il calore generato durante il processo di carica possa essere dissipato dal gruppo batterie.
- Assicurarsi che la tensione di circuito aperto (VOC) della batteria del veicolo o del modulo solare non superi 32 V.

Il tempo di ricarica del gruppo batterie dipende dalla sorgente e dall'ingresso selezionati. Il gruppo batterie portatile può essere caricato fino a 60 W tramite l'ingresso USB-C o fino a 100 W tramite l'ingresso a corrente continua. Durante la ricarica simultanea tramite l'ingresso USB-C e l'ingresso a corrente continua, la potenza di ricarica può essere aumentata fino a 120 W.

L'ingresso a corrente continua supporta sia la ricarica tramite batterie del veicolo che la ricarica tramite energia solare.

1. Posizionare il gruppo batterie su una base stabile e resistente al calore.
2. Aprire il coperchio dell'apparecchio per accedere ai collegamenti e ai comandi.
3. Collegare una sorgente di alimentazione adeguata (ad esempio, batteria del veicolo, pannello solare) all'ingresso a corrente continua o all'ingresso USB-C del gruppo batterie.
- ✓ L'indicatore di stato della batteria mostra lo stato di carica (vedere il capitolo Controllo dello stato di carica alla pagina 62). Il LED relativo al livello di carica successivo lampeggia finché non viene raggiunto il livello massimo.

Il processo si interrompe automaticamente quando il gruppo batterie è completamente carico. Tutti i LED dell'indicatore di stato della batteria sono accesi.

4. Al termine della ricarica, rimuovere tutti i cavi e chiudere il coperchio dell'apparecchio.

### Controllo dello stato di carica

- > Premere il pulsante  per attivare o disattivare l'indicatore di stato della batteria (8, fig. 1 alla pagina 61).



### NOTA

- L'indicatore si spegne automaticamente se non sono collegati carichi o sorgenti.
- Non appena lo stato di carica scende al di sotto di 5 %, il LED 1 inizia a lampeggiare per indicare che la batteria si sta scaricando.

- ✓ L'indicatore di stato della batteria mostra lo stato di carica tra 0 % (scarica) e 100 % (completamente carica).

Indicatore di stato della batteria					Capacità della batteria
LED 1	LED 2	LED 3	LED 4	LED 5	
○	○	○	○	○	0 %
●	○	○	○	○	5 ... 20 %
●	●	○	○	○	21 ... 40 %
●	●	●	○	○	41 ... 60 %
●	●	●	●	○	61 ... 80 %
●	●	●	●	●	81 ... 100 %

## Utilizzo della torcia a LED





### ATTENZIONE! Rischio di lesioni

Evitare di guardare direttamente la torcia a LED per evitare danni agli occhi.



**NOTA** La torcia può essere impostata su 2 temperature di colore: Bianco neutro (a 4300 K) e bianco freddo (a 6400 K).

1. Aprire il coperchio dell'apparecchio per accedere ai collegamenti e ai comandi.
2. Per accendere o spegnere la torcia, tenere premuto il pulsante  per 3 s.  
✓ L'indicatore di stato della batteria è acceso.
3. Premere il pulsante  per passare da una temperatura di colore all'altra.



**NOTA** Se sono collegati carichi o sorgenti, la temperatura del colore bianco freddo non è disponibile e la torcia viene impostata automaticamente su bianco neutro.

4. Trasportare la torcia utilizzando la maniglia, regolandola alla lunghezza desiderata.
5. Dopo l'uso, chiudere il coperchio dell'apparecchio.

## Ricarica di dispositivi digitali tramite USB

L'uscita USB-C ha una potenza di carica di 60 W, mentre l'uscita USB-A ha una potenza di 18 W.



### NOTA

- Non è possibile ricaricare i dispositivi mobili digitali quando il gruppo batterie è scarico (stato di carica < 5 %).
- Due dispositivi mobili digitali possono essere ricaricati contemporaneamente utilizzando entrambe le uscite USB.

1. Aprire il coperchio dell'apparecchio per accedere ai collegamenti e ai comandi.
  2. Selezionare un cavo di ricarica con un adattatore adatto, a seconda dell'uscita USB da utilizzare, e collegare il gruppo batterie al dispositivo digitale.
- ✓ La ricarica del dispositivo digitale si avvia automaticamente e l'indicatore di stato della batteria mostra la carica rimanente del gruppo batterie.

- Al termine della ricarica, rimuovere tutti i cavi e chiudere il coperchio dell'apparecchio.

## Utilizzo di dispositivi a 12 V



### AVVISO! Rischio di danni

Garantire una ventilazione sufficiente e assicurarsi che il calore generato possa essere dissipato dal gruppo batterie.



**NOTA** Non è possibile utilizzare i dispositivi a 12 V quando il gruppo batterie è scarico (stato di carica < 5%).

L'uscita a corrente continua fornisce un'alimentazione fino a 150 W.

- Posizionare il gruppo batterie su una base stabile e resistente al calore.
- Aprire il coperchio dell'apparecchio per accedere ai collegamenti e ai comandi.
- Collegare il cavo di alimentazione del dispositivo 12 V all'uscita a corrente continua del gruppo batterie.
- ✓ Il dispositivo a 12 V viene alimentato automaticamente tramite il gruppo batterie. L'indicatore di stato della batteria mostra la carica rimanente del gruppo batterie.
- Dopo l'uso, scollegare il cavo di alimentazione del dispositivo 12 V e chiudere il coperchio dell'apparecchio.

## 8 Pulizia e cura



### AVVERTENZA! Pericolo di scosse elettriche

Scollegare l'apparecchio dall'alimentazione prima di eseguire operazioni di pulizia e manutenzione.



### AVVISO! Rischio di danni

- Non lavare mai l'apparecchio sotto acqua corrente e non immergerlo in acqua per risciacquarlo.
- Per la pulizia non impiegare oggetti appuntiti o duri, detersivi abrasivi o candeggina, perché potrebbero danneggiare l'apparecchio.

- > Pulire l'apparecchio di tanto in tanto con un panno umido morbido.
- > Controllare regolarmente che i cavi sotto tensione non presentino difetti di isolamento, rotture o collegamenti allentati.

## 9 Immagazzinamento



### AVVISO! Rischio di danni

- Conservare il gruppo batterie solo se completamente carico. Ricaricare il gruppo batterie conservato regolarmente o almeno ogni 3 – 6 mesi, anche quando non viene utilizzato.
  - Rispettare la temperatura ottimale specificata, poiché l'immagazzinamento a lungo termine a temperature alte e basse può compromettere la durata e le prestazioni del gruppo batterie.
- > Conservare il gruppo batterie in un luogo ben ventilato e asciutto, protetto da polvere e sporcizia.
  - > Controllare regolarmente lo stato di carica del gruppo batterie (vedere il capitolo Controllo dello stato di carica alla pagina 62)



## 10 Risoluzione dei problemi

Guasto	Possibile causa	Rimedio
Il gruppo batterie non funziona. Il pulsante ⏻ non risponde.	Il gruppo batterie è completamente scarico.	Caricare il gruppo batterie (vedere il capitolo <i>Ricarica del gruppo batterie</i> alla pagina 62).
	Difetti di isolamento, rotture o collegamenti allentati in corrispondenza dei cavi sotto tensione.	<ul style="list-style-type: none"> <li>&gt; Controllare che i cavi sotto tensione non presentino difetti di isolamento, rotture o collegamenti allentati.</li> <li>&gt; Se non si riesce a trovare un errore, contattare il servizio di assistenza autorizzato.</li> </ul>
	È stata attivata la protezione da sovracorrente del gruppo batterie. È stata attivata la protezione contro i cortocircuiti del gruppo batterie.	<ol style="list-style-type: none"> <li>1. Rimuovere i carichi dall'uscita USB-C, USB-A e a corrente continua.</li> <li>2. Rispettare il carico massimo delle uscite (vedere il capitolo <i>Specifiche tecniche</i> alla pagina 66) durante il collegamento dei dispositivi.</li> <li>3. Se, dopo aver collegato i dispositivi, la ricarica non si avvia immediatamente, caricare il gruppo batterie per riattivarla (vedere il capitolo <i>Ricarica del gruppo batterie</i> alla pagina 62).</li> </ol>

## 11 Smaltimento



Riciclaggio del materiale da imballaggio: smaltire il materiale da imballaggio negli appositi contenitori di riciclaggio, dove possibile.



Riciclaggio di prodotti con batterie non sostituibili, batterie ricaricabili o fonti di luce:

- Se il prodotto contiene batterie non sostituibili, batterie ricaricabili o fonti di luce, non è necessario rimuoverle prima dello smaltimento.
- Per smaltire definitivamente il prodotto, informarsi presso il centro di riciclaggio più vicino o presso il proprio rivenditore specializzato sulle norme relative allo smaltimento.
- È possibile smaltire il prodotto gratuitamente.

## 12 Garanzia

Vale il termine di garanzia previsto dalla legge. Se il prodotto è difettoso, contattare la filiale del produttore nel proprio Paese (vedere [dometic.com/dealer](http://dometic.com/dealer)) o il rivenditore di riferimento.

Per attivare la garanzia e predisporre eventuali interventi di riparazione, è necessario inviare la seguente documentazione insieme all'apparecchio:

- una copia della ricevuta con la data di acquisto,
- il motivo della richiesta o la descrizione del guasto.

Tenere presente che le riparazioni eseguite in autonomia o da personale non professionista possono avere conseguenze sulla sicurezza e invalidare la garanzia.

## 13 Specifiche tecniche

<b>Gruppo batterie</b>	
Tipo di batteria	Litio-ferro-fosfato/LiFePO4
Capacità nominale della batteria	15 Ah
Tensione nominale della batteria	12,8 V <sub>nom</sub>
<b>Uscita USB-A</b>	
Tensione di uscita/corrente nominale	5 V <sub>nom</sub> /2,4 A, 9 V <sub>nom</sub> /2 A, 12 V <sub>nom</sub> /1,5 A
<b>Uscita/ingresso USB-C</b>	
Intervallo della tensione di carica	5 ... 20 V <sub>nom</sub>
Corrente di ingresso	3 A
<b>Uscita a corrente continua</b>	
Tensione di uscita	12 V <sub>nom</sub>
Corrente nominale	15 A
<b>Ingresso a corrente continua</b>	
Intervallo della tensione di carica	12 ... 32 V <sub>nom</sub>
Corrente di ingresso massima	5,5 A
<b>Torcia a LED</b>	
Bianco freddo	
<ul style="list-style-type: none"> <li>• Potenza illuminazione a LED</li> <li>• Lumen</li> </ul>	4,5 W ± 0,5 W 160 lm ± 10 lm
Bianco neutro	
<ul style="list-style-type: none"> <li>• Potenza illuminazione a LED</li> <li>• Lumen</li> </ul>	2,5 W ± 0,5 W 50 lm ± 10 lm
<b>Specifiche tecniche generali</b>	
Temperatura ambiente per il funzionamento	-10 °C ... 45 °C
Temperatura di ricarica	0 °C ... 45 °C
Intervallo di temperatura di conservazione	-20 °C ... 60 °C
Velocità di autoscarica massima a 25 °C	5 % al mese
Umidità ambientale:	≤ 95 %, senza condensa
Grado di protezione	IP 44
Durata di impiego	2000 cicli di carica

Dimensioni (LxAxP)	85 × 222 × 85 mm
Peso	1,8 kg
Certificati di controllo	

## Nederlands

1	Belangrijke opmerkingen.....	68
2	Verklaring van de symbolen.....	68
3	Veiligheidsaanwijzingen.....	69
4	Omvang van de levering.....	70
5	Beoogd gebruik.....	71
6	Technische beschrijving.....	71
7	Gebruik.....	73
8	Reiniging en onderhoud.....	75
9	Opslag.....	75
10	Problemen oplossen.....	76
11	Verwijdering.....	76
12	Garantie.....	76
13	Technische gegevens.....	77

## 1 Belangrijke opmerkingen

Lees deze gebruiksaanwijzing zorgvuldig door en volg alle instructies, richtlijnen en waarschuwingen in deze handleiding op om ervoor te zorgen dat u het product te allen tijde op de juiste manier installeert, gebruikt en onderhoudt. Deze gebruiksaanwijzing MOET bij dit product worden bewaard.

Door het product te gebruiken, bevestigt u hierbij dat u alle instructies, richtlijnen en waarschuwingen zorgvuldig hebt gelezen en dat u de voorwaarden zoals hierin beschreven begrijpt en accepteert. U gaat ermee akkoord dit product alleen te gebruiken voor het beoogde doel en de beoogde toepassing en in overeenstemming met de instructies, richtlijnen en waarschuwingen zoals beschreven in deze gebruiksaanwijzing en in overeenstemming met de geldende wet- en regelgeving. Het niet lezen en opvolgen van de hierin beschreven instructies en waarschuwingen kan leiden tot letsel voor uzelf en anderen, schade aan uw product of schade aan andere eigendommen in de omgeving. Deze gebruiksaanwijzing, met inbegrip van de instructies, richtlijnen en waarschuwingen, en de bijbehorende documentatie kan onderhevig zijn aan wijzigingen en updates. Voor de recentste productinformatie, bezoek [documents.dometic.com](http://documents.dometic.com).

## 2 Verklaring van de symbolen



### WAARSCHUWING!

Duidt op een gevaarlijke situatie die, indien deze niet wordt voorkomen, ernstig letsel of de dood tot gevolg kan hebben.



### VOORZICHTIG!

Duidt op een gevaarlijke situatie die, indien deze niet wordt voorkomen, licht of matig letsel tot gevolg kan hebben.



### LET OP!

Duidt op een situatie die, indien deze niet wordt voorkomen, kan leiden tot materiële schade.



**INSTRUCTIE** Aanvullende informatie voor het gebruik van het product.

## 3 Veiligheidsaanwijzingen

### Algemene veiligheid



#### WAARSCHUWING! Gevaar voor elektrische schokken

- Gebruik het toestel niet als het zichtbaar beschadigd is.
- Het toestel mag uitsluitend worden gerepareerd door bevoegd personeel. Ondeskundige reparaties kunnen leiden tot aanzienlijke gevaren.
- Haal het toestel niet uit elkaar.
- Bewerk de componenten niet zelf en maak geen aanpassingen.
- Gebruik uitsluitend accessoires en reserveonderdelen die door de fabrikant zijn aanbevolen.
- Gebruik het toestel niet onder vochtige omstandigheden en dompel het niet onder in een vloeistof. Berg het toestel op op een droge plaats.
- Schakel het toestel uit en haal de stekker uit het stopcontact voor elke reiniging of elk onderhoud en na elk gebruik.



#### WAARSCHUWING! Gevaar voor letsel

Accu's kunnen agressieve en bijtende zuren bevatten. Vermijd elk lichamelijk contact met de accuvloeistof. Indien uw huid in aanraking komt met accuvloeistof, was dan het desbetreffende lichaamsdeel grondig met water. Consulteer bij verwondingen door zuren in ieder geval een arts.



#### WAARSCHUWING! Gevaar voor de gezondheid

- Open of beschadig accu's niet en laat ze niet in het milieu terechtkomen, omdat ze giftige en milieuschadelijke zware metalen bevatten.
- Dit toestel mag worden gebruikt door kinderen vanaf 8 jaar en ouder evenals door personen met verminderd fysiek, zintuiglijk of mentaal vermogen of gebrek aan kennis en ervaring, mits zij onder toezicht staan of zijn geïnstrueerd in het veilig gebruik van het toestel en zij inzicht hebben in de gevaren die het gebruik ervan met zich meebrengt.
- **Elektrische toestellen zijn geen speelgoed.** Houd en gebruik het toestel buiten het bereik van zeer jonge kinderen.
- Kinderen moeten onder toezicht staan om te garanderen dat ze niet met het toestel spelen.
- Reiniging en gebruikersonderhoud mogen niet door kinderen zonder toezicht worden uitgevoerd.



#### LET OP! Gevaar voor schade

- Controleer voor de ingebruikname of de spanning op het typeplaatje overeenkomt met de aanwezige stroomvoorziening.
- Let erop dat andere voorwerpen **geen** kortsluiting bij de contacten van het toestel kunnen veroorzaken.
- Let op dat de min- en pluspolen **nooit** in contact komen.
- Gebruik de kabels niet als handvat.

### Veiligheid bij het gebruik van het toestel



#### VOORZICHTIG! Explosiegevaar

- Gebruik het toestel **niet** onder de volgende omstandigheden:  
in een zouthoudende, vochtige of natte omgeving

- in de buurt van agressieve dampen
- in de buurt van brandbare materialen
- in zones waar gevaar voor gas- of stofexplosies heerst

- Probeer geen bevroren of defecte accu op te laden. Plaats de accu in een vorstvrije ruimte en wacht tot de accu op omgevingstemperatuur is.
- Plaats het toestel niet in de buurt van warmtebronnen (verwarming, direct zonlicht, gaskachels enz.).
- Rook niet, gebruik geen open vuur of veroorzaak geen vonken in de buurt van het accupack.
- Laat het toestel tijdens het gebruik niet onbeheerd achter.



#### **VOORZICHTIG! Gevaar voor elektrische schokken**

- Voordat u het toestel start, moet u ervoor zorgen dat de voedingskabel en de stekker droog zijn en de stekker vrij is van roest of vuil.
- Als u aan elektrische installaties werkt, zorg er dan voor dat er iemand in de buurt is die in geval van nood kan helpen.
- Leg de kabels zodanig dat deze niet beschadigd kunnen raken door scherpe randen, deuren of de motorkap. Leg kabels **niet** scherp geknikt. Geplette kabels kunnen tot levensgevaarlijke verwondingen leiden.
- Maak geen kabels los als het toestel nog in gebruik is.



#### **VOORZICHTIG! Brandgevaar**

- Laat het toestel niet vallen, sla er niet op en oefen geen overmatige kracht uit om schade aan externe en interne onderdelen te voorkomen.
- Plaats het toestel niet in de buurt van brandbare materialen.



#### **VOORZICHTIG! Gevaar voor letsel**

Zorg er bij het opstellen van het toestel voor dat alle kabels veilig zijn bevestigd, om struikelen te voorkomen.



#### **LET OP! Gevaar voor schade**

- Zorg ervoor dat de luchtinlaten en -uitlaten van het toestel niet afgedekt zijn.
- Zorg voor goede ventilatie.
- Stel het toestel op een droge en tegen spatwater beschermde plaats op.
- Trek de stekker nooit aan de kabel uit het stopcontact.
- Rol de kabel losjes op wanneer u het opbergt. Te strak oprollen kan de kabel en de interne onderdelen beschadigen.
- Voorkom diepe ontlading van het toestel.

## **4 Omvang van de levering**

<b>Aantal</b>	<b>Beschrijving</b>
1	Draagbaar accupack
1	Opladkabel (USB-C naar USB-C)
1	Opladkabel voor in de auto (aansluiting voor sigarettenaansteker naar DC5525)

Aantal	Beschrijving
1	Korte handleiding
1	Gebruiksaanwijzing (alleen digitaal)

## 5 Beoogd gebruik

Het draagbare accupack is bedoeld voor het opladen van digitale mobiele toestellen (bijv. mobiele telefoons, tablets, laptops, camera's, enz.), of de bediening van 12 V-toestellen (bijv. luchtpompen, koelboxen en andere buiten-apparatuur), en voor gebruik als zaklamp.

Het draagbare batterijpack is geschikt voor gebruik buitenshuis, bijv. op reis.

Het draagbare accupack is **niet** geschikt voor

- Parallele aansluiting op andere draagbare accupacks
- commercieel gebruik

Dit product is alleen geschikt voor het beoogde gebruik en de toepassing in overeenstemming met deze gebruiksaanwijzing.

Deze handleiding geeft informatie die nodig is voor een correcte installatie en/of correct gebruik van het product. Een slechte installatie en/of onjuist gebruik of onderhoud leidt tot onbevredigende prestaties en mogelijke storingen.

De fabrikant aanvaardt geen aansprakelijkheid voor letsel of schade aan het product die het gevolg is van:

- Onjuiste installatie, montage of aansluiting, inclusief te hoge spanning
- Onjuist onderhoud of gebruik van andere dan door de fabrikant geleverde originele reserveonderdelen
- Wijzigingen aan het product zonder uitdrukkelijke toestemming van de fabrikant
- Gebruik voor andere doeleinden dan beschreven in deze handleiding

Dometic behoudt zich het recht voor om het uiterlijk en de specificaties van het product te wijzigen.

## 6 Technische beschrijving

### Algemene beschrijving

Het accupack is uitgerust met een lithium-ijzerfosfaataccu en een geïntegreerde ledzaklamp.

Digitale mobiele toestellen kunnen worden opgeladen via een van de twee USB-uitgangen (**2** en **4**, afb. **1** op pagina 72). Daarnaast kan het toestel worden gebruikt om 12 V-toestellen te bedienen via de gelijkstroomuitgang (aansluiting oplaadadapter voor auto, **5**, afb. **1** op pagina 72).

Het draagbare accupack kan worden opgeladen via de USB-C-ingang (**2**, afb. **1** op pagina 72) of de gelijkstroomingang (**6**, afb. **1** op pagina 72).

Het laadproces en de huidige ladingstoestand worden weergegeven door de statusindicator van de accu (**8**, afb. **1** op pagina 72). De statusindicator van de accu wordt geactiveerd zodra:

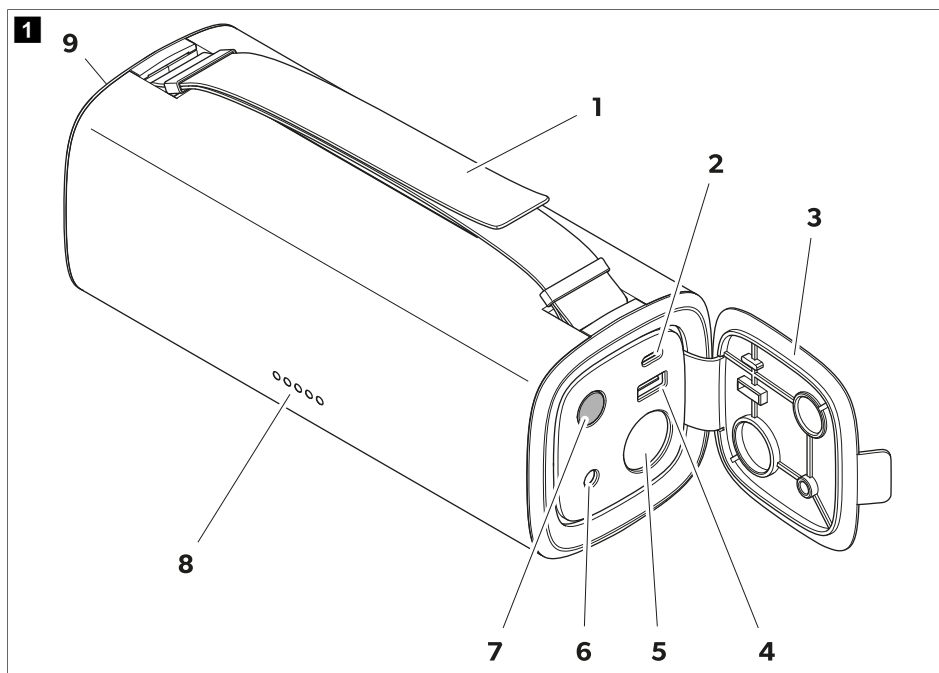
- Het accupack wordt geladen.
- Een lading wordt aangesloten op het accupack.

- De zaklamp is ingeschakeld.

Het draagbare accupack heeft de volgende beschermingsmechanismen:

- Bescherming tegen hoge en lage temperaturen
- overstroombeveiliging
- Overspannings- en onderspanningsbeveiliging bij de ingangen
- Overspanningsbeveiliging bij de uitgangen
- kortsluitingsbeveiliging
- Beveiliging tegen overladen en te diepe ontleding

## Toestelbeschrijving



Nr.	Toelichting	Nr.	Toelichting
1	Verstelbare draaggreep	6	Dc5525-ingang (12 V ... 32 V)
2	USB-C-ingang/-uitgang (5 V/3 A 9 V3 A, / , 12 V3 A 15 V/ , /3 A, / 20 V/3 A)	7	Aan/uit-knop
3	Deksel van het toestel	8	LED-statusindicator van de accu
4	USB-A-uitgang (5 V/2,4 A 9 V2 A, / , / / 12 V1,5 A)	9	Ledzaklamp
5	Gelijkstroomuitgang (12 V/15 A)		



## 7 Gebruik



### LET OP! Gevaar voor schade

Laad het accupack na elk gebruik op.



**INSTRUCTIE** U kunt tegelijkertijd digitale mobiele toestellen opladen, 12 V-toestellen bedienen en het accupack opladen.

### Voor het eerste gebruik

- > Laad het accupack voor het eerste gebruik op totdat deze volledig is opgeladen (zie hoofdstuk Het accupack opladen op pagina 73).

### Het accupack opladen



### LET OP! Gevaar voor schade

- Zorg voor voldoende ventilatie en zorg ervoor dat de warmte die tijdens het laadproces wordt gegenereerd, kan worden afgevoerd uit het accupack.
- Zorg ervoor dat de nullastspanning (VOC) van de voertuigaccu of zonnemodule niet hoger is dan 32 V.

De vereiste oplaadtijd van het accupack is afhankelijk van de geselecteerde oplaadbron en de laadingang. Het draagbare accupack kan worden opgeladen tot 60 W via de USB-C-ingang of tot 100 W via de gelijkstroomingang. Bij gelijktijdig opladen via USB-C-ingang en gelijkstroomingang kan het laadvermogen worden verhoogd tot 120 W.


De gelijkstroomingang ondersteunt zowel opladen met voertuigaccu's als opladen met zonne-energie.

1. Plaats het accupack op een stevige en hittebestendige basis.
  2. Open de deksel van het toestel om toegang te krijgen tot de aansluitingen en bedieningselementen.
  3. Sluit een geschikte voedingsbron (bijv. voertuigaccu, zonnepaneel) aan op de gelijkstroomingang of de USB-C-ingang van het accupack.
- ✓ De statusindicator van de accu geeft de laadstatus aan (zie hoofdstuk De laadtoestand controleren op pagina 73). De LED voor het volgende hogere oplaadniveau knippert totdat het volledige oplaadniveau is bereikt.

Het laadproces stopt automatisch wanneer het accupack volledig is opgeladen. Alle LED's van de statusindicator van de accu branden.

4. Verwijder na het opladen alle oplaadkabels en sluit het deksel van het toestel.

### De laadtoestand controleren

- > Druk op de knop  om de statusindicator van de accu (**8**, afb. **1** op pagina 72) in of uit te schakelen.



### INSTRUCTIE

- De statusindicator van de accu schakelt automatisch uit als er geen lading of oplaadbron is aangesloten.
- Zodra de laadtoestand onder 5 % komt, begint LED 1 te knipperen om aan te geven dat de accu bijna leeg is.

- ✓ De statusindicator van de accu geeft de laadtoestand aan tussen 0 % (ontladen) en 100 % (volledig opgeladen).

Statusindicator van de accu					Accucapaciteit
LED 1	LED 2	LED 3	LED 4	LED 5	
○	○	○	○	○	0 %
●	○	○	○	○	5 ... 20 %
●	●	○	○	○	21 ... 40 %
●	●	●	○	○	41 ... 60 %
●	●	●	●	○	61 ... 80 %
●	●	●	●	●	81 ... 100 %

## De ledzaklamp gebruiken





### VOORZICHTIG! Gevaar voor letsel

Kijk niet rechtstreeks in de ledzaklamp, omdat uw ogen hierdoor beschadigd kunnen raken.



**INSTRUCTIE** De zaklamp is instelbaar in 2 kleurtemperaturen: Neutraal wit (bij 4300 K) en koel wit (bij 6400 K).

1. Open de deksel van het toestel om toegang te krijgen tot de aansluitingen en bedieningselementen.
  2. Houd de knop  gedurende 3 s ingedrukt om de zaklamp in of uit te schakelen.
- ✓ De statusindicator van de accu brandt.
3. Druk op de knop  om te schakelen tussen de kleurtemperaturen.



**INSTRUCTIE** Als er ladingen of oplaadbronnen zijn aangesloten, is de koele, witte kleurtemperatuur niet beschikbaar en wordt de zaklamp automatisch ingesteld op neutraal wit.

4. Houd de zaklamp vast aan de draaggreep. De draaggreep kan op de gewenste lengte worden afgesteld.
5. Sluit na gebruik het deksel van het toestel.

## Digitale toestellen opladen via USB

De USB-C-uitgang heeft een oplaadvermogen van 60 W, de USB-A-uitgang heeft een oplaadvermogen van 18 W.



### INSTRUCTIE

- Het opladen van digitale mobiele toestellen is niet mogelijk als het accupack bijna leeg is (ladings-toestand 5 %).
- Er kunnen twee digitale mobiele toestellen tegelijkertijd worden opgeladen via beide USB-uitgangen.

1. Open de deksel van het toestel om toegang te krijgen tot de aansluitingen en bedieningselementen.
  2. Kies een oplaadkabel met een geschikte adapter, afhankelijk van de USB-uitgang die u wilt gebruiken, en sluit het accupack aan op het digitale toestel.
- ✓ Het digitale toestel wordt automatisch opgeladen met het accupack. De statusindicator van de accu geeft de resterende laadtoestand van het accupack aan.

3. Verwijder na het opladen alle oplaadkabels en sluit het deksel van het toestel.

## 12 V-toestellen gebruiken



### LET OP! Gevaar voor schade

Zorg voor voldoende ventilatie en zorg ervoor dat de warmte die wordt gegenereerd, kan worden afgevoerd uit het accupack.



**INSTRUCTIE** De bediening van 12 V-toestellen is niet mogelijk wanneer het accupack bijna leeg is (laadtoestand 5 %).

De gelijkstroomuitgang zorgt voor een mobiele voeding met maximaal 150 W continue voeding.

1. Plaats het accupack op een stevige en hittebestendige basis.
  2. Open de deksel van het toestel om toegang te krijgen tot de aansluitingen en bedieningselementen.
  3. Sluit de stroomkabel van het 12 V-toestel aan op de gelijkstroomuitgang van het accupack.
- ✓ Het 12 V-toestel wordt automatisch van stroom voorzien voor gebruik via het accupack. De statusindicator van de accu geeft de resterende laadtoestand van het accupack aan.
4. Sluit na gebruik de stroomkabel van het 12 V-toestel los en sluit het deksel van het accupack.

## 8 Reiniging en onderhoud



### WAARSCHUWING! Gevaar voor elektrische schokken

Trek de stekker van het toestel voor elke reiniging en elk onderhoud uit het stopcontact.



### LET OP! Gevaar voor schade

- Reinig het toestel nooit onder stromend water of in afwaswater.
- Gebruik geen scherpe of harde voorwerpen, schurende reinigingsmiddelen of bleekmiddel bij het reinigen. Daardoor kan het toestel beschadigd raken.

- > Reinig het toestel geregeld met een zachte, vochtige doek.
- > Controleer onder spanning staande kabels regelmatig op beschadigde isolatie, kabelbreuk of losse contacten.

## 9 Opslag




### LET OP! Gevaar voor schade

- Het accupack alleen volledig opgeladen opslaan. Laad het opgeslagen accupack regelmatig en ten minste elke 3 – 6 maanden op, ook als het niet wordt gebruikt.
- Houd u aan de gespecificeerde optimale opslagtemperatuur, aangezien langdurige opslag bij hoge en lage temperaturen de levensduur en prestaties van het accupack kan beïnvloeden.

- > Bewaar het accupack op een goed geventileerde, droge plaats waar deze beschermd is tegen stof en vuil.
- > Controleer regelmatig de laadtoestand van het accupack (zie hoofdstuk *De laadtoestand controleren* op pagina 73).

## 10 Problemen oplossen

Fout	Mogelijke oorzaak	Voorstel tot oplossing
Het accupack werkt niet. De knop  reageert niet.	Het accupack is diep ontladen.	Laad het accupack op (zie hoofdstuk Het accupack opladen op pagina 73).
	Beschadigde isolatie, kabelbreuk of losse contacten van onder spanning staand kabels.	<ul style="list-style-type: none"> <li>&gt; Controleer onder spanning staande kabels op beschadigde isolatie, kabelbreuk of losse contacten.</li> <li>&gt; Neem contact op met een erkende klantenservice als u geen fout kunt vinden.</li> </ul>
	Overstroombeveiliging van het accupack geactiveerd. Kortsluitingsbeveiliging van het accupack geactiveerd.	<ol style="list-style-type: none"> <li>1. Verwijder de ladingen van de USB-C-, USB-A- en gelijkstroom-uitgangen.</li> <li>2. Let op de maximale lading van de uitgangen (zie hoofdstuk Technische gegevens op pagina 77) bij het opnieuw aansluiten van de toestellen.</li> <li>3. Als het opladen niet onmiddellijk start na het aansluiten van toestellen, laadt u het accupack op om deze opnieuw te activeren (zie hoofdstuk Het accupack opladen op pagina 73).</li> </ol>

## 11 Verwijdering



Verpakkingsmateriaal recylen: Gooi het verpakkingsmateriaal indien mogelijk altijd in recyclingafvalbakken.



Producten met niet-vervangbare batterijen, oplaadbare batterijen of lichtbronnen recylen:

- Als het product niet-vervangbare batterijen, oplaadbare batterijen of lichtbronnen bevat, hoeft u die niet te verwijderen voordat u het product afvoert.
- Als u het product definitief weg wilt doen, vraag dan bij het dichtstbijzijnde afvalverwerkingsbedrijf of uw dealer naar de betreffende afvoerschriften.
- Het product kan gratis worden afgevoerd.

## 12 Garantie

De wettelijke garantieperiode is van toepassing. Als het product defect is, neem dan contact op met de vestiging van de fabrikant in uw land (zie [dometic.com/dealer](http://dometic.com/dealer)) of uw verkoper.

Stuur voor de afhandeling van reparaties of garantie volgende documenten mee:

- Een kopie van de factuur met datum van aankoop

- De reden voor de claim of een beschrijving van de fout

Houd er rekening mee dat eigenmachtige of niet-professionele reparatie gevolgen voor de veiligheid kan hebben en dat de garantie hierdoor kan komen te vervallen.

## 13 Technische gegevens

<b>Accupack</b>	
Batterijtype	Lithium-ijzer-fosfaat/LiFePO4
Nominale accucapaciteit	15 Ah
Nominale accuspanning	12,8 V <sub>nom</sub>
<b>USB-A-uitgang</b>	
Uitgangsspanning/nominale stroom	5 V <sub>nom</sub> /2,4 A, 9 V <sub>nom</sub> /2 A, 12 V <sub>nom</sub> /1,5 A
<b>USB-C-uitgang/-ingang</b>	
Laadspanningsbereik	5 ... 20 V <sub>nom</sub>
Ingangsstroom	3 A
<b>DC-uitgang</b>	
Uitgangsspanning	12 V <sub>nom</sub>
Nominale stroom	15 A
<b>DC-ingang</b>	
Laadspanningsbereik	12 ... 32 V <sub>nom</sub>
Maximale ingangsstroom	5,5 A
<b>Ledzaklamp</b>	
Koel wit	
<ul style="list-style-type: none"> <li>• Ledlichtsterkte</li> <li>• Lumen</li> </ul>	4,5 W ± 0,5 W 160 lm ± 10 lm
Neutraal wit	
<ul style="list-style-type: none"> <li>• Ledlichtsterkte</li> <li>• Lumen</li> </ul>	2,5 W ± 0,5 W 50 lm ± 10 lm
<b>Algemene technische gegevens</b>	
Omgevingstemperatuur voor bedrijf	-10 °C ... 45 °C
Laadtemperatuur	0 °C ... 45 °C
Opslagtemperatuurbereik	-20 °C ... 60 °C
Maximale zelfontlading bij 25 °C	5 % per maand
Omgevingsvochtigheid	≤ 95 %, niet-condenserend
IP-code	IP 44
Levensduur	2000 oplaadcycli
Afmetingen (b x h x d)	85 × 222 × 85 mm

Gewicht	1,8 kg
Keuring/certificaten	

## Dansk

1	Vigtige henvisninger.....	79
2	Forklaring af symboler.....	79
3	Sikkerhedshenvisninger.....	80
4	Leveringsomfang.....	81
5	Korrekt brug.....	82
6	Teknisk beskrivelse.....	82
7	Betjening.....	83
8	Rengøring og vedligeholdelse.....	86
9	Opbevaring.....	86
10	Udbedring af fejl.....	86
11	Bortskaffelse.....	87
12	Garanti.....	87
13	Tekniske data.....	88

## 1 Vigtige henvisninger

Læs og følg alle disse anvisninger, retningslinjer og advarsler i denne produktvejledning grundigt for at sikre, at du altid installerer, bruger og vedligeholder produktet korrekt. Disse anvisninger SKÅL opbevares sammen med dette produkt.

Ved at benytte produktet bekræfter du hermed, at du har læst alle anvisninger, retningslinjer og advarsler grundigt, og at du forstår og er indforstået med de vilkår og betingelser, der er fastlagt heri. Du er indforstået med kun at bruge dette produkt til det beregnede formål og anvendelse i overensstemmelse med anvisningerne, retningslinjerne og advarslerne i denne produktvejledning samt i overensstemmelse med alle de gældende love og forskrifter. Manglende læsning og ignorering af disse anvisninger og advarsler kan medføre kvæstelser på dig selv og andre, skade på dit produkt eller skade på anden ejendom i nærheden. Der tages forbehold for eventuelle ændringer og opdateringer af denne produktvejledning samt anvisningerne, retningslinjerne og advarslerne samt den tilhørende dokumentation. Se [documents.dometic.com](http://documents.dometic.com) for de nyeste produktinformationer.

## 2 Forklaring af symboler



### ADVARSEL!

Angiver en farlig situation, som kan medføre dødsfald eller alvorlig kvæstelse, såfremt den ikke undgås.



### FORSIGTIG!

Angiver en farlig situation, som kan medføre mindre eller lette kvæstelser, såfremt den ikke undgås.



### VIGTIGT!

Angiver en situation, som kan medføre materielle skader, såfremt den ikke undgås.



**BEMÆRK** Supplerende informationer om betjening af produktet.

## 3 Sikkerhedshenvisninger

### Grundlæggende sikkerhed



#### ADVARSEL! Fare for elektrisk stød

- Hvis apparatet har synlige beskadigelser, må apparatet ikke tages i brug.
- Reparationer på apparatet må kun foretages af fagfolk. Ukorrekte reparationer kan medføre betydelige farer.
- Du må ikke adskille apparatet.
- Ingen af komponenterne må på nogen måde ændres eller tilpasses.
- Anvend kun tilbehør og reservedele, der anbefales af producenten.
- Apparatet må ikke bruges under våde forhold eller nedsænkes i væske. Skal opbevares et tørt sted.
- Sluk for apparatet, og tag stikket ud af stikkontakten før hver rengøring eller vedligeholdelse og efter hver brug.



#### ADVARSEL! Fare for kvæstelser

Batterier indeholder aggressive og ætsende syrer. Undgå, at batterivæske kommer i kontakt med din krop. Skyl den pågældende del af kroppen grundigt med vand, hvis din hud kommer i kontakt med batterivæske. Kontakt straks en læge, hvis du får kvæstelser på grund af syrer.



#### ADVARSEL! Sundhedsfare

- Du må ikke åbne eller beskadige batterier eller efterlade dem i miljøet, da de indeholder giftige om miljøfarlige tungmetaller.
- Dette apparat kan anvendes af børn over 8 år og personer med reducerede fysiske, sans- eller mentale evner eller uden erfaring eller viden, hvis de er under opsyn eller blev instrueret i sikker brug af apparatet og forstår de involverede farer.
- **El-apparater er ikke legetøj!** Opbevar og anvend apparatet uden for meget unge børns rækkevidde.
- Børn skal overvåges for at sikre, at de ikke leger med apparatet.
- Rengøring og vedligeholdelse må ikke udføres af børn uden opsyn.



#### VIGTIGT! Fare for beskadigelse

- Sammenlign spændingsspecifikationen på datapladen med den effektforsyning, der er til rådighed, før ibrugtagningen.
- Sørg for, at andre genstande **ikke kan** forårsage en kortslutning i apparatets kontakter.
- Kontrollér, at de negative og positive poler **aldrig** kommer i kontakt med hinanden.
- Brug ikke kabler som greb.

### Sikkerhed under anvendelse af apparatet



#### FORSIGTIG! Eksplosionsfare

- Du må **ikke** anvende apparatet under følgende betingelser:
  - i saltholdige, fugtige eller våde omgivelser
  - i nærheden af aggressive dampe
  - i nærheden af brændbare materialer
  - i områder med gas- eller støvekspllosion.



- Forsøg aldrig at oplade et frosset eller defekt batteri. Stil batteripakken på et frostfrit område, og vent, indtil batteriet har akklimatiseret sig til udenomstemperaturen.
- Stil ikke apparatet i nærheden af varmekilder (varmeapparater, direkte sollys, gasovne osv.).
- Rygning, brug af åben flamme eller gnistdannelse i nærheden af batteripakken er forbudt.
- Lad ikke apparatet være uden opsyn, mens det er i brug.



#### **FORSIGTIG! Fare for elektrisk stød**

- Inden du starter apparatet, skal du kontrollere, at forsyningskablet og stikket er tørre, og at stikket er fri for rust eller snavs.
- Når der arbejdes på elsystemer, skal det kontrolleres, at der er nogen i nærheden, som kan hjælpe i et nødstilfælde.
- Før kablerne, så de ikke kan blive beskadiget af skarpe kanter, døre eller hjelmen. Træk **ikke** nogen ledninger løst eller med skarpe knæk. Klemte ledninger kan føre til livsfarlige kvæstelser.
- Løsn ikke kabler, når apparatet stadig er i brug.



#### **FORSIGTIG! Brandfare**

- For ikke at beskadige de udvendige og indvendige dele må apparatet ikke tabes, udsættes for slag eller kraftige påvirkninger.
- Du må ikke anbringe apparatet i nærheden af brændbare materialer.



#### **FORSIGTIG! Fare for kvæstelser**

Når apparatet placeres, skal man sørge for, at alle kabler er fastgjort forsvarligt for at forhindre fare for at snuble.



#### **VIGTIG! Fare for beskadigelse**

- Kontrollér, at apparatets luftind- og -udgange ikke er tildækkede.
- Sørg for en god ventilation.
- Stil apparatet på et tørt sted, der er beskyttet mod stænkvand.
- Træk aldrig stikket ud af stikdåsen med kablet.
- Rul kablet løst sammen under opbevaringen. Stram oprulningen kan beskadige kablet og de indvendige dele.
- Undgå dybafledning af apparatet.

## 4 Leveringsomfang

Antal	Beskrivelse
1	Transportabel batteripakke
1	Opladningskabel (USB-C til USB-C)
1	Opladningskabel til bilen (cigaretænderstik til DC5525)
1	Kort betjeningsvejledning
1	Betjeningsvejledning (kun digital)

## 5 Korrekt brug

Den transportable batteripakke er beregnet til opladning af digitale mobile apparater (f.eks. mobiltelefoner, tablets, bærbare computere, kameraer osv.) eller betjening af 12 V-apparater (f.eks. luftpumper, kølebokse og andet uden-dørs udstyr) og til brug som lommelygte.

Den transportable batteripakke er velegnet til udendørs brug, f.eks. på ture.

Den transportable batteripakke er **ikke** egnet til:

- Parallel tilslutning med andre transportable batteripakker
- Erhvervsmæssig brug

Dette produkt er kun egnet til dets beregnede formål og anvendelse i overensstemmelse med disse anvisninger.

Denne vejledning giver dig oplysninger om, hvad der er nødvendigt med henblik på en korrekt montering og/eller drift af produktet. Dårlig montering og/eller ukorrekt drift eller vedligeholdelse medfører utilstrækkelig ydeevne og mulige fejl.

Producenten påtager sig intet ansvar for kvæstelser eller skader i forbindelse med produktet, der skyldes:

- ukorrekt montering eller forbindelse inklusive for høj spænding
- ukorrekt vedligeholdelse eller brug af uoriginale reservedele, der ikke stammer fra producenten
- ændringer på produktet uden udtrykkelig tilladelse fra producenten
- brug til andre formål end dem, der er beskrevet i vejledningen.

Dometic forbeholder sig ret til at ændre produktets udseende og produktspecifikationer.

## 6 Teknisk beskrivelse

### Generel beskrivelse

Batteripakken er udstyret med et lithiumjernfosfatbatteri og en integreret LED-lommelygte.

Digitale mobile apparater kan oplades ved en af de to USB-udgange (**2** og **4**, fig. **1** på side 83). Derudover kan apparatet bruges til at betjene 12 V-apparater via jævnstrømsudgangen (tilslutning til opladningsadapter til bilen, **5**, fig. **1** på side 83).

Den transportable batteripakke kan oplades via USB-C-indgangen (**2**, fig. **1** på side 83) eller jævnstrømsindgangen (**6**, fig. **1** på side 83).

Opladningsprocessen og den aktuelle opladningstilstand vises af batteristatusindikatoren (**8**, fig. **1** på side 83). Batteristatusindikatoren aktiveres, så snart:

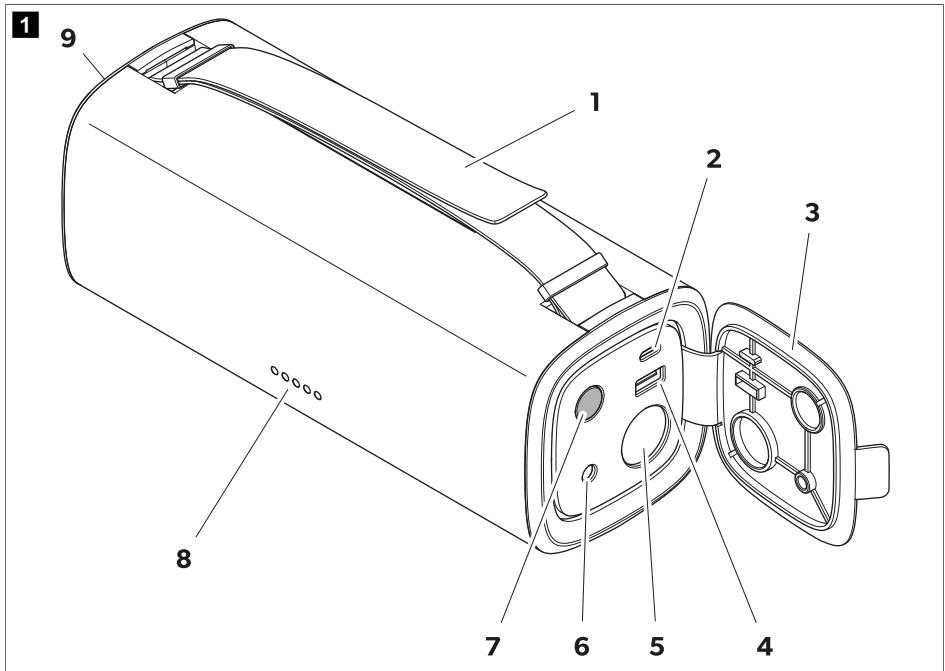
- Batteripakken oplades.
- Der er tilsluttet en belastning til batteripakken.
- Lommelygten er slået til.

Den transportable batteripakke har følgende beskyttelsesmekanismer:

- Beskyttelse mod høje og lave temperaturer
- Overstrømsbeskyttelse
- Beskyttelse mod overspænding og underspænding ved indgangene
- Beskyttelse mod overspænding ved udgangene

- Kortslutningsbeskyttelse
- Beskyttelse mod overopladning og dybafledning

## Beskrivelse af apparatet



Nr.	Forklaring	Nr.	Forklaring
1	Justerbart bærehåndtag	6	DC5525-indgang (12 V ... 32 V)
2	USB-C-indgang/-udgang (5 V/3 A, 9 V/3 A, 12 V/3 A, 15 V/3 A, 20 V/3 A)	7	Tænd/sluk-knap
3	Apparatets låg	8	LED-batteristatusindikator
4	USB-A-udgang (5 V/2,4 A, 9 V/2 A, 12 V/1,5 A)	9	LED-lommelygte
5	Jævnstrømsudgang (12 V/15 A)		

## 7 Betjening



**VIGTIGT! Fare for beskadigelse**  
Oplad batteripakken efter hver brug.



**BEMÆRK** Opladning af digitale mobile apparater, brug af 12 V-apparater og opladning af batteripakken er muligt på samme tid.

## Før første brug

- Oplad batteripakken inden første brug, indtil den er fuldt opladet (se kapitel Opladning af batterisættet på side 84).

## Opladning af batterisættet



### VIGTIGT! Fare for beskadigelse

- Sørg for tilstrækkelig ventilation, og sørg for, at den varme, der genereres under opladningen, kan spredes fra batteripakken.
- Sørg for, at den åbne kredsløbsspænding (VOC) på bilbatteriet eller solcellemodulet ikke overstiger 32 V.

Den påkrævede opladningstid for batteripakken afhænger af den valgte opladningskilde og opladningsindgang. Den transportable batteripakke kan oplades op til 60 W via USB-C-indgangen eller op til 100 W via jævnstrømsindgangen. Under opladning via USB-C-indgang og jævnstrømsindgang samtidigt kan opladningsstyrken øges op til 120 W.

Jævnstrømsindgangen understøtter både opladning via bilbatterier og opladning via solenergi.

1. Anbring batteripakken på en fast og varmebestandig bund.
  2. Åbn apparatets låg for at få adgang til tilslutninger og kontrolanordninger.
  3. Tilslut en egnet strømkilde (f.eks. bilbatteri, solpanel) til jævnstrømsindgangen eller USB-C-indgangen på batteripakken.
- ✓ Batteristatusindikatoren viser status for opladningen (se kapitel Sådan kontrollerer du ladetilstanden på side 84). LED'en for det næste højere opladningsniveau blinker, indtil det fulde opladningsniveau er nået.

Opladningen stopper automatisk, når batteripakken er fuldt opladet. Alle LED'er på batteristatusindikatoren lyser.

4. Fjern alle opladningskabler efter opladning, og luk apparatets låg.

## Sådan kontrollerer du ladetilstanden

- Tryk på knappen  for at aktivere eller deaktivere batteristatusindikatoren (8, fig. 1 på side 83).



### BEMÆRK

- Batteristatusindikatoren slukker automatisk, hvis der ikke er tilsluttet nogen belastning, og der ikke er tilsluttet en opladningskilde.
- Så snart opladningsniveauet falder til under 5 %, begynder LED 1 at blinke for at angive lav batteristatus.

- ✓ Batteristatusindikatoren viser opladningstilstanden mellem 0 % (afladet) og 100 % (fuldt opladet).

Batteristatusindikator					Batterikapacitet
LED 1	LED 2	LED 3	LED 4	LED 5	
○	○	○	○	○	0 %
●	○	○	○	○	5 ... 20 %
●	●	○	○	○	21 ... 40 %
●	●	●	○	○	41 ... 60 %

Batteristatusindikator					Batterikapacitet
LED 1	LED 2	LED 3	LED 4	LED 5	
●	●	●	●	○	61 ... 80 %
●	●	●	●	●	81 ... 100 %

## Sådan bruger du LED-lommelygten





### **FORSIGTIG! Fare for kvæstelser**

Undgå at kigge direkte ind i LED-lommelygten, da det kan skade dine øjne.



**BEMÆRK** Lommelygten kan justeres ved 2 farvetemperaturer: Neutral hvid (ved 4300 K) og kold hvid (ved 6400 K).

1. Åbn apparatets låg for at få adgang til tilslutninger og kontrolanordninger.
2. Tryk på knappen , og hold den nede i 3 s for at tænde eller slukke lommelygten.  
✓ Batteristatusindikatoren lyser.
3. Tryk på knappen  for at skifte mellem farvetemperaturerne.



**BEMÆRK** Hvis der er tilsluttet belastninger eller opladningskilder, er den kolde hvide farvetemperatur ikke tilgængelig, og lommelygten indstilles automatisk til neutral hvid.

4. Hold lommelygten i bærehåndtaget. Bærehåndtaget kan justeres til den ønskede længde.
5. Luk apparatets låg efter brug.

## Opladning af digitale apparater via USB

USB-C-udgangen har en opladningsstyrke på 60 W, USB-A-udgangen har en opladningsstyrke på 18 W.



### **BEMÆRK**

- Opladning af digitale mobile apparater er ikke mulig, hvis batteripakken har en lav batteristatus (opladningstilstand < 5 %).
- Der kan oplades to digitale mobile apparater samtidigt ved at benytte de to USB-udgange.

1. Åbn apparatets låg for at få adgang til tilslutninger og kontrolanordninger.
2. Vælg et opladningskabel med en passende adapter afhængigt af den USB-udgang, der skal bruges, og tilslut batteripakken til det digitale apparat.  
✓ Det digitale apparat oplades automatisk via batteripakken. Batteristatusindikatoren viser den resterende opladningstilstand for batteripakken.
3. Fjern alle opladningskabler efter opladning, og luk apparatets låg.

## Brug af 12 V-apparater



### **VIGTIGT! Fare for beskadigelse**

Sørg for tilstrækkelig ventilation, og sørg for, at den genererede varme kan spredes fra batteripakken.



**BEMÆRK** Betjening af 12 V-apparater er ikke mulig, så snart batteripakken har en lav batteristatus (opladningstilstand < 5 %).

Jævnstrømsudgangen giver en mobil strømforsyning med op til 150 W kontinuerlig strøm.

1. Anbring batteripakken på en fast og varmebestandig bund.
  2. Åbn apparatets låg for at få adgang til tilslutninger og kontrolanordninger.
  3. Tilslut 12 V-apparatets strømkabel til batteripakkens jævnstrømsudgang.
- ✓ 12 V-apparatet forsynes automatisk med strøm til drift via batteripakken. Batteristatusindikatoren viser den resterende opladningstilstand for batteripakken.
4. Efter brug skal du frakoble 12 V-apparatets strømkabel og lukke låget til batteripakken.

## 8 Rengøring og vedligeholdelse



### ADVARSEL! Fare for elektrisk stød

Træk apparatet ud af strømforsyningen før hver rengøring og vedligeholdelse.



### VIGTIGT! Fare for beskadigelse

- Rengør aldrig apparatet under rindende vand eller i opvaskevand.
  - Anvend ikke skarpe eller hårde genstande, skurende rengøringsmidler eller blegemiddel ved rengøringen, da de kan beskadige apparatet.
- > Rengør apparatet af og til med en fugtig klud.
- > Kontrollér spændingsførende kabler regelmæssigt for isoleringsfejl, brud eller løse forbindelser.

## 9 Opbevaring



### VIGTIGT! Fare for beskadigelse

- Batteripakken må kun opbevares fuldt opladet. Genoplad den opbevarede batteripakke regelmæssigt og mindst hver 3.–6. måned, selv hvis den ikke er i brug.
  - Overhold den angivne optimale opbevaringstemperatur, da langfristet opbevaring ved høje og lave temperaturer kan påvirke batteripakkens levetid og ydeevne negativt.
- > Opbevar batteripakken på et tørt og godt ventileret sted, hvor den er beskyttet mod støv og snavs.
- > Kontrollér batteripakkens opladningstilstand regelmæssigt (se kapitel Sådan kontrollerer du ladetilstanden på side 84).

## 10 Udbedring af fejl

Fejl	Mulig årsag	Løsningsforslag
Batteripakken fungerer ikke. Knappen  reagerer ikke.	Batteripakken er dybt afladet.	Oplad batteripakken (se kapitel Opladning af batterisættet på side 84).

Fejl	Mulig årsag	Løsningsforslag
	Isoleringsfejl, brud eller løse forbindelser på de spændingsførende kabler.	<ul style="list-style-type: none"> <li>&gt; Kontrollér spændingsførende kabler for isoleringsfejl, brud eller løse forbindelser.</li> <li>&gt; Hvis du ikke kan finde fejlen, så kontakt en autoriseret servicerepræsentant.</li> </ul>
	Overstrømsbeskyttelse af batteripakken udløst. Kortslutningsbeskyttelse af batteripakken udløst.	<ol style="list-style-type: none"> <li>1. Fjern belastningerne fra USB-C-, USB-A- og jævnstrømsudgangene.</li> <li>2. Overhold den maksimale belastning af udgangene (se kapitel Tekniske data på side 88), når du tilslutter apparaterne igen.</li> <li>3. Hvis opladningen ikke starter igen umiddelbart efter tilslutning af apparater, skal du oplade batteripakken for at genaktivere den (se kapitel Opladning af batteri sættet på side 84).</li> </ol>

## 11 Bortskaffelse



Genbrug af emballagemateriale: Bortskaf så vidt muligt emballagen i affaldscontainerne til den pågældende type genbrugsaffald.



Genbrug af produkter med batterier, genopladelige batterier eller lyskilder, der ikke kan udskiftes:

- Hvis produktet indeholder batterier, genopladelige batterier eller lyskilder, der ikke kan udskiftes, skal du ikke fjerne dem før bortskaffelse.
- Hvis du vil bortskaffe produktet endegyldigt, skal du kontakte den nærmeste genbrugsstation eller din faghandel for at få de pågældende forskrifter om bortskaffelse.
- Produktet kan bortskaffes uden gebyr.

## 12 Garanti


Den lovbestemte garantiperiode gælder. Hvis produktet er defekt, skal du kontakte producentens afdeling i dit land (se [dometic.com/dealer](http://dometic.com/dealer)) eller din forhandler.

Ved reparation eller krav om garanti skal du medsende følgende bilag:

- en kopi af regningen med købsdato
- en reklamerationsgrund eller en fejlbeskrivelse.

Vær opmærksom på, at egne eller uprofessionelle reparationer kan få sikkerhedsmæssige konsekvenser og kan gøre garantien ugyldig.

## 13 Tekniske data

<b>Batteripakke</b>	
Batteritype	Lithium-jern-fosfat/LiFePO4
Nominel batterikapacitet	15 Ah
Nominel batterispænding	12,8 V <sub>nom</sub>
<b>USB-A-udgang</b>	
Udgangsspænding/mærkestrøm	5 V <sub>nom</sub> /2,4 A, 9 V <sub>nom</sub> /2 A, 12 V <sub>nom</sub> /1,5 A
<b>USB-C-udgang/-indgang</b>	
Område for ladespænding	5 ... 20 V <sub>nom</sub>
Indgangsstrøm	3 A
<b>DC Output</b>	
Udgangsspænding	12 V <sub>nom</sub>
Mærkestrøm	15 A
<b>DC-indgang</b>	
Område for ladespænding	12 ... 32 V <sub>nom</sub>
Maksimal indgangsstrøm	5,5 A
<b>LED-lommelygte</b>	
Kølig hvid	
<ul style="list-style-type: none"> <li>• LED-lyseffekt</li> <li>• Lumen</li> </ul>	<p>4,5 W ± 0,5 W</p> <p>160 lm ± 10 lm</p>
Neutral hvid	
<ul style="list-style-type: none"> <li>• LED-lyseffekt</li> <li>• Lumen</li> </ul>	<p>2,5 W ± 0,5 W</p> <p>50 lm ± 10 lm</p>
<b>Generelle tekniske data</b>	
Omgivelsestemperatur for drift	-10 °C ... 45 °C
Ladetemperatur	0 °C ... 45 °C
Temperaturområde for opbevaring	-20 °C ... 60 °C
Maksimal selvafladningsrate ved 25 °C	5 % pr. måned
Udenomsfugtighed	≤ 95 %, ikke-kondenserende
Beskyttelsestype	IP 44
Levetid	2000 opladningscyklusser
Mål (B x H x D)	85 × 222 × 85 mm
Vægt	1,8 kg
Godkendelse/certifikater	



## Svenska

1	Observera.....	89
2	Förklaring av symboler.....	89
3	Säkerhetsanvisningar.....	90
4	Leveransomfattning.....	91
5	Avsedd användning.....	92
6	Teknisk beskrivning.....	92
7	Användning.....	93
8	Rengöring och skötsel.....	96
9	Förvaring.....	96
10	Felsökning.....	96
11	Avfallshantering.....	97
12	Garanti.....	97
13	Tekniska data.....	97

## 1 Observera

Läs och följ noggrant alla instruktioner, direktiv och varningar i den här produkthandboken för att säkerställa att du alltid installerar, använder och underhåller produkten på rätt sätt. Dessa instruktioner **MÅSTE** förvaras tillsammans med produkten.

Genom att använda produkten bekräftar du härmed att du noggrant har läst alla instruktioner, direktiv och varningar och att du förstår och är införstådd med att följa de villkor som anges här. Du är införstådd med att endast använda denna produkt i avsett syfte och i enlighet med instruktionerna, direktiven och varningarna som anges i denna produkthandbok samt i enlighet med alla gällande lagar och bestämmelser. Om du inte läser och följer instruktionerna och varningarna som anges här kan det leda till personskador på dig eller andra, på produkten eller annan egendom i närheten. Denna produkthandbok, inklusive instruktionerna, direktiven och varningarna samt relaterad information, kan ändras och uppdateras. Aktuell produktinformation finns på [documents.dometic.com](http://documents.dometic.com).

## 2 Förklaring av symboler



### **VARNING!**

Anger en farlig situation som, om den inte kan undvikas, kan leda till döden eller allvarlig personskada.



### **AKTA!**

Anger en farlig situation som, om den inte kan undvikas, leder lindrig eller måttlig personskada.



### **OBSERVERA!**

Anger en situation som, om den inte kan undvikas, kan leda till materiell skada.



**ANVISNING** Kompletterande information om användning av produkten.

## 3 Säkerhetsanvisningar

### Allmänna säkerhetsanvisningar



#### **VARNING! Risk för dödsfall på grund av elektricitet**

- Om apparaten uppvisar synliga skador får den ej tas i drift.
- Reparationer på apparaten får endast utföras av behörig personal. Om man utför reparationer på fel sätt kan man utsättas för avsevärda risker.
- Öppna inte apparaten.
- Ändra eller anpassa inte komponenterna på något sätt.
- Använd endast tillbehör och reservdelar som rekommenderas av tillverkaren.
- Använd inte enheten i våta förhållanden eller om den är nedsänkt i någon typ av vätska. Förvaras torrt.
- Stäng av apparaten och koppla bort den från strömförsörjningen före rengöring eller underhåll och efter varje användning.



#### **VARNING! Risk för personskada**

Batterier innehåller aggressiva och frätande syror. Undvik kontakt med batterivätskan. Om huden kommer i kontakt med batterivätska ska stället på kroppen rengöras noggrant med vatten. Uppsök alltid läkare vid kroppsskador orsakade av syra.



#### **VARNING! Hälsorisk**

- Öppna inte och skada inte batterier eller låt dem inte komma in i miljöer som innehåller giftiga och miljöfarliga tungmetaller.
- Barn från åtta års ålder, personer med nedsatt fysisk, sensorisk eller mental förmåga, eller personer med bristande erfarenhet och kunskaper får använda den här apparaten förutsatt att de hålls under uppsikt eller om de har fått anvisningar om hur man använder den här apparaten på ett säkert sätt och känner till vilka risker som är förknippade med användningen.
- **Elapparater är inga leksaker.** Förvara och använd apparaten utom räckhåll för små barn.
- Barn måste hållas under uppsikt så att de inte leker med apparaten.
- Utan uppsikt får barn inte utföra rengörings- eller underhållsarbeten.



#### **OBSERVERA! Risk för skada**

- Jämför spänningsuppgifterna på typetiketten med spänningen i ditt uttag innan apparaten tas i drift.
- Kontrollera att det **inte** är möjligt för andra föremål att orsaka kortslutning vid apparatens kontakter.
- Säkerställ att negativa och positiva poler **aldrig** kommer i kontakt med varandra.
- Använd inte kablarna som handtag.

### Säkerhet vid användning av apparaten



#### **AKTA! Explosionsrisk**

- Använd **inte** apparaten under dessa förhållanden:
  - i salthaltiga, fuktiga eller blöta omgivningar
  - i närheten av aggressiva ångor
  - i närheten av brännbara material
  - I områden där det finns risk för gas- eller dammexplosioner.

- Försök aldrig ladda ett fryst eller trasigt batteri. Ställ batteripaketet i ett frosthitt utrymme och vänta tills batteriet har samma temperatur som omgivningen.
- Ställ inte apparaten i närheten av värmekällor (värmeelement, starkt solljus, gasspisar osv.).
- Rök inte, använd inte öppna flammor och orsaka inga gnistor i närheten av batteripaketet.
- Lämna inte apparaten utan uppsikt när den används.



#### **AKTA! Risk för dödsfall på grund av elektricitet**

- Innan apparaten startas måste du se till att elkabeln och elkontakten är torra och att elkontakten är fri från rost och smuts.
- När du arbetar med elektriska system ska du se till att det finns en annan person i närheten som kan ingripa i nödfall.
- Dra kablarna så att de inte kan skadas av vassa kanter, dörrar eller motorhuvu. Dra **inte** kablarna så att de knäcks. Klämda kablar kan orsaka personskador med dödlig utgång.
- Lossa inga kablar när apparaten används.



#### **AKTA! Brandrisk**

- Tappa inte, slå inte på och använd inget våld vid hanteringen av apparaten för att undvika skador på externa och interna delar.
- Placera inte apparaten nära brännbart material.



#### **AKTA! Risk för personskada**

Se till att alla kablar är säkrade på lämpligt sätt för att undvika snubblingsrisk i samband med att apparaten sätts på plats.



#### **OBSERVERA! Risk för skada**

- Säkerställ att apparatens luftintag och luftutlopp inte är övertäckta.
- Säkerställ en god ventilation.
- Ställ apparaten i ett torrt utrymme, se till att den skyddas mot vattenstänk.
- Dra aldrig ut stickkontakten ur uttaget genom att dra i kabeln.
- Linda kabeln löst vid förvaring, då snäv lindning kan skada kabeln och dess inre delar.
- Undvik att djupurladda apparaten.

## 4 Leveransomfattning

Mängd	Beskrivning
1	Bärbart batteripaket
1	Laddningskabel (USB-C till USB-C)
1	Billaddningskabel (cigarettändaruttag till DC5525)
1	Snabbguide
1	Bruksanvisning (bara digital)

## 5 Avsedd användning

Det bärbara batteripaketet är avsett för laddning av digitala mobila enheter (t.ex. mobiltelefoner, surfplattor, bärbara datorer och kameror) eller användning av 12 V-enheter (t.ex. luftpumpar, kylboxar och annan utomhusutrustning), och för användning som ficklampa.

Det bärbara batteripaketet är lämpligt för utomhusbruk, till exempel vid resor.

Det bärbara batteripaketet lämpar sig **inte** för

- Parallellkoppling med andra bärbara batteripaket
- Kommersiellt bruk

Den här produkten lämpar sig endast för avsedd användning i enlighet med denna bruksanvisning.

Den här manualen informerar om vad som krävs för att installera och/eller använda produkten på rätt sätt. Felaktig installation och/eller användning eller felaktigt underhåll kommer leda till att produkten inte fungerar optimalt och risikerar gå sönder.

Tillverkaren åtar sig inget ansvar för personskador eller materiella skador på produkten som uppstår till följd av:

- Felaktig installation, montering eller anslutning, inklusive för hög spänning
- Felaktigt underhåll eller användning av reservdelar som inte är originaldelar från tillverkaren
- Ändringar som utförts utan uttryckligt medgivande från tillverkaren
- Användning för andra ändamål än de som beskrivs i denna bruksanvisning

Dometic förbehåller sig rätten att ändra produktens utseende och specifikationer.

## 6 Teknisk beskrivning

### Allmän beskrivning

Batteripaketet är utrustat med ett litiumjärnfosfatbatteri och en inbyggd LED-ficklampa.

Digitala mobila enheter kan laddas via någon av de två USB-utgångarna (**2** och **4**, bild. **1** sida 93). Dessutom kan apparaten användas för användning av 12 V-enheter via likströmsutgången (anslutning för billaddningsadapter, **5**, bild. **1** sida 93).

Det bärbara batteripaketet kan laddas via USB-C-ingången (**2**, bild. **1** sida 93) eller likströmsingången (**6**, bild. **1** sida 93).

Laddningsprocessen och aktuell laddningsstatus visas med batteristatusindikatorn (**8**, bild. **1** sida 93). Batteristatusindikatorn aktiveras när:

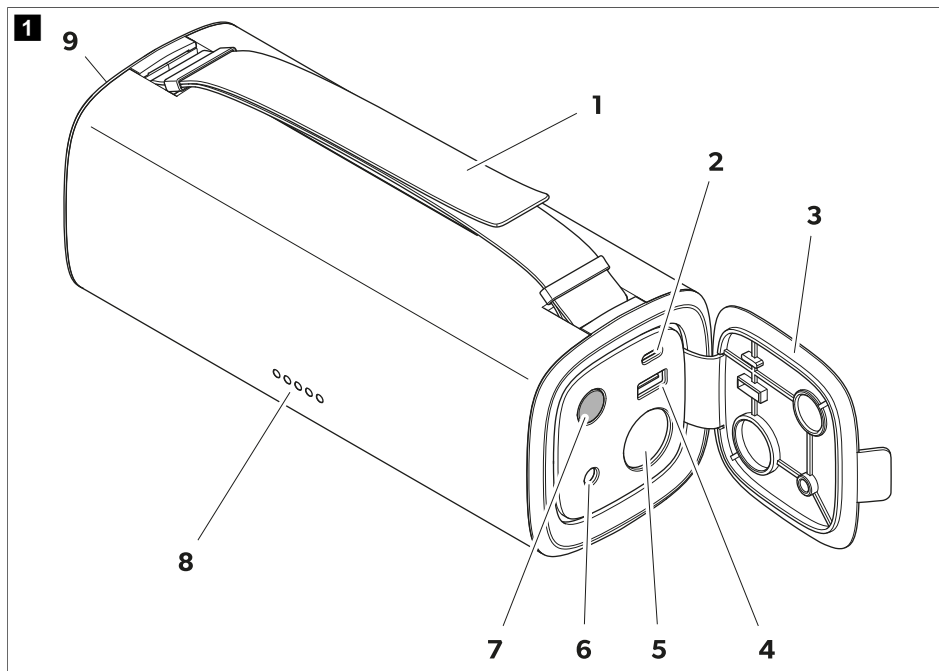
- Batteripaketet laddas.
- En last ansluts till batteripaketet.
- Ficklampa slås på.

Det bärbara batteripaketet har följande skyddsmekanismer:

- Skydd mot hög och låg temperatur
- Överströmsskydd
- Över- och underspänningskydd vid ingångarna
- Överspänningskydd vid utgångarna

- Kortslutningskydd
- Överladdnings- och djupurladdningskydd

## Produktbeskrivning



Pos.	Förklaring	Pos.	Förklaring
1	Justerbart bärhandtag	6	DC5525-ingång (12 V ... 32 V)
2	USB-C-ingång/-utgång (5 V/3 A, 9 V/3 A, 12 V/3 A, 15 V/3 A, 20 V/3 A)	7	Knapp På/Av
3	Apparatens lock	8	LED-batteristatusindikator
4	USB-A-utgång (5 V/2,4 A, 9 V/2 A, 12 V/1,5 A)	9	LED-ficklampa
5	Utgång för likström (12 V/15 A)		

## 7 Användning



### **OBSERVERA! Risk för skada**

Ladda batteripaketet efter varje användning.



**ANVISNING** Det går att ladda digitala mobila enheter, använda 12 V-enheter och ladda batteripaketet samtidigt.

## Före den första användningen

- > Ladda batteripaketet före den första användningen tills det är fulladdat (se kapitel Ladda batteripaketet sida 94).

## Ladda batteripaketet



### OBSERVERA! Risk för skada

- Se till att det finns tillräcklig ventilation och att värmen som genereras under laddningen kan avledas från batteripaketet.
- Se till att bilbatteriets eller solpanelens tomgångsspänning inte överskrider 32 V.

Vilken laddningstid som krävs för batteripaketet beror på den valda laddningskällan och laddningsingången. Det bärbara batteripaketet kan laddas upp till 60 W via USB-C-ingången eller upp till 100 W via likströmsingången. Om du laddar via USB-C-ingången och likströmsingången samtidigt kan laddeffekten ökas upp till 120 W.

Likströmsingången stöder både laddning via bilbatterier och laddning via solenergi.

1. Placera batteripaketet på ett fast och värmotåligt underlag.
  2. Öppna apparatens lock för att komma åt anslutningar och reglage.
  3. Anslut en lämplig strömkälla (t.ex. bilbatteri, solpanel) till batteripaketets likströmsingång eller USB-C-ingång.
- ✓ Batteristatusindikatorn visar laddningsstatus (se kapitel Kontrollera laddningsnivå sida 94). Lysdioden för nästa högre laddningsnivå blinkar tills full laddning uppnås.

Laddningen avbryts automatiskt när batteripaketet är fulladdat. Alla lysdioder på batteristatusindikatorn lyser.

4. Efter laddning tar du bort alla laddningskablar och stänger apparatens lock.

## Kontrollera laddningsnivå

- > Tryck på knappen  för att aktivera eller avaktivera batteristatusindikatorn (8, bild. 1 sida 93).



### ANVISNING

- Batteristatusindikatorn stängs av automatiskt om ingen belastning eller laddningskälla är ansluten.
- När laddningsstatus sjunker under 5 % börjar LED 1 blinka för att indikera låg batteristatus.

- ✓ Batteristatusindikatorn visar laddningsstatus mellan 0 % (urladdat) och 100 % (fulladdat).

Batteristatusindikator					Batterikapacitet
LED 1	LED 2	LED 3	LED 4	LED 5	
○	○	○	○	○	0 %
●	○	○	○	○	5 ... 20 %
●	●	○	○	○	21 ... 40 %
●	●	●	○	○	41 ... 60 %
●	●	●	●	○	61 ... 80 %
●	●	●	●	●	81 ... 100 %

## Använda LED-ficklampa





### AKTA! Risk för personskada

Undvik att titta direkt in i LED-ficklampa eftersom detta kan skada ögonen.



**ANVISNING** Ficklampa kan ställas in på två olika färgtemperaturer: Neutral vit (4300 K) och kallvit (6400 K).

1. Öppna apparatens lock för att komma åt anslutningar och reglage.
2. Håll knappen  intryckt i 3 s för att slå på eller stänga av ficklampan.  
✓ Batteristatusindikatorn lyser.
3. Tryck på knappen  för att växla mellan färgtemperaturer.



**ANVISNING** Om belastningar eller laddningskällor är anslutna går det inte att använda den kallvita färgtemperaturen och ficklampan ställs in automatiskt på neutral vit.

4. Håll ficklampan i bärhandtaget. Bärhandtaget kan justeras till önskad längd.
5. Stäng apparatens lock efter användning.

## Ladda digitala enheter via USB

USB-C-utgången har en laddeffekt på 60 W och USB-A-utgången har en laddeffekt på 18 W.



### ANVISNING

- Det går inte att ladda digitala mobila enheter om batteripaketet har låg batteristatus (laddningsstatus < 5 %).
- Två digitala mobila enheter kan laddas samtidigt via de två USB-uttagen.

1. Öppna apparatens lock för att komma åt anslutningar och reglage.
2. Välj en laddningskabel med lämplig adapter beroende på vilken USB-utgång som ska användas och anslut batteripaketet till den digitala enheten.  
✓ Den digitala enheten laddas automatiskt via batteripaketet. Batteristatusindikatorn visar batteripaketets återstående laddningsstatus.
3. Efter laddning tar du bort alla laddningskablar och stänger apparatens lock.

## Driva 12 V-enheter



### OBSERVERA! Risk för skada

Se till att det finns tillräcklig ventilation och att värmen som genereras kan avledas från batteripaketet.



**ANVISNING** Det går inte att använda 12 V-enheter när batteripaketet har låg batteristatus (laddningsstatus < 5 %).

Likströmsutgången ger mobil strömförsörjning med upp till 150 W kontinuerlig effekt.

1. Placera batteripaketet på ett fast och värmeståligt underlag.
2. Öppna apparatens lock för att komma åt anslutningar och reglage.

3. Anslut 12 V-enhetens strömkabel till batteripaketets likströmsutgång.
- ✓ 12 V-enheten får automatiskt ström via batteripaketet. Batteristatusindikatorn visar batteripaketets återstående laddningsstatus.
4. Efter användning kopplar du bort 12 V-enhetens strömkabel och stänger batteripaketets lock.

## 8 Rengöring och skötsel



### **WARNING! Risk för dödsfall på grund av elektricitet**

Koppla alltid bort apparaten från strömförsörjningen före rengöring eller underhåll.



### **OBSERVERA! Risk för skada**

- Rengör aldrig apparaten under rinnande vatten eller i diskvatten.
  - Använd inga vassa eller hårda föremål, starka rengöringsmedel eller blekmedel vid rengöringen, eftersom det kan skada apparaten.
- > Rengör apparaten då och då med en mjuk, fuktig trasa.
- > Kontrollera med jämna mellanrum om det finns några isoleringsfel, brott eller lösa anslutningar på de spänningsförande ledningarna.

## 9 Förvaring



### **OBSERVERA! Risk för skada**

- Batteripaketet ska vara fulladdat vid förvaring. Ladda batteripaketet som förvaras regelbundet och minst var tredje till sjätte månad, även när de inte används.
  - Observera specificerad optimal förvaringstemperatur, eftersom långvarig förvaring i höga och låga temperaturer kan påverka batteripaketets livslängd och effekt.
- > Förvara batteripaketet på en välventilerad och torr plats där det är skyddat från damm och smuts.
- > Kontrollera batteripaketets laddningsstatus regelbundet (se kapitel *Kontrollera laddningsnivå* sida 94).

## 10 Felsökning

Fel	Möjlig orsak	Lösning
Batteripaketet fungerar inte. Inget händer när man trycker på knappen (⊕).	Batteripaketet är djupurladdat.	Ladda batteripaketet (se kapitel <i>Ladda batteripaketet</i> sida 94).
	Fel på isolering, brott eller lösa anslutningar på spänningsförande ledningar.	<ul style="list-style-type: none"> <li>&gt; Kontrollera om det finns några isoleringsfel, brott eller lösa anslutningar på de spänningsförande ledningarna.</li> <li>&gt; Om du inte kan hitta något fel, kontakta en auktoriserad service-representant.</li> </ul>



Fel	Möjlig orsak	Lösning
	Batteripaketets överströmsskydd har aktiverats. Batteripaketets kortslutningsskydd har aktiverats.	<ol style="list-style-type: none"> <li>1. Koppla bort belastningen från utgångarna för USB-C, USB-A och likström.</li> <li>2. Observera utgångarnas maximala belastning (se kapitel Tekniska data sida 97) när du ansluter enheterna igen.</li> <li>3. Om laddningen inte startar direkt efter att du har anslutit enheterna kan du ladda batteripaketet för att återaktivera det (se kapitel Ladda batteripaketet sida 94).</li> </ol>

## 11 Avfallshantering



Återvinning av förpackningsmaterial: Lämna om möjligt förpackningsmaterialet till återvinning.



Återvinning av produkter med icke-utbytbara batterier, laddningsbara batterier eller ljuskällor:

- Om produkten innehåller icke-utbytbara batterier, laddningsbara batterier eller ljuskällor behöver du inte avlägsna dem före kassering.
- När produkten slutgiltigt tas ur bruk: Informera dig om gällande bestämmelser hos närmaste återvinningscentral eller hos återförsäljaren.
- Produkten kan kasseras utan avgift.

## 12 Garanti

Den lagstadgade garantitiden gäller. Kontakta tillverkarens filial i ditt land (se [dometic.com/dealer](http://dometic.com/dealer)) eller din återförsäljare om produkten är defekt.


Vid reparations- och garantiärenden skickar du med följande dokument när du returnerar apparaten:

- En kopia på fakturan med inköpsdatum
- En reklameringsbeskrivning eller felbeskrivning

Observera att självständiga eller icke professionella reparationer kan påverka säkerheten och leda till att garantin blir ogiltig.

## 13 Tekniska data

Batteripaket	
Batterityp	Litiumjärnfosfat/LiFePO <sub>4</sub>
Nominell kapacitet, batteri	15 Ah
Märkspänning, batteri	12,8 V <sup>nom</sup>

<b>USB-A-utgång</b>	
Utspänning/märkström	5 V $\overline{=}$ /2,4 A, 9 V $\overline{=}$ /2 A, 12 V $\overline{=}$ /1,5 A
<b>USB-C-utgång/-ingång</b>	
Spänningsområde laddning	5 ... 20 V $\overline{=}$
Ingångsström:	3 A
<b>DC Output</b>	
Utspänning	12 V $\overline{=}$
Märkström	15 A
<b>DC-ingång</b>	
Spänningsområde laddning	12 ... 32 V $\overline{=}$
Maximal ingångsström	5,5 A
<b>LED-ficklampa</b>	
Kallvit	
<ul style="list-style-type: none"> <li>• LED-lyskraft</li> <li>• Lumen</li> </ul>	4,5 W $\pm$ 0,5 W 160 lm $\pm$ 10 lm
Neutral vit	
<ul style="list-style-type: none"> <li>• LED-lyskraft</li> <li>• Lumen</li> </ul>	2,5 W $\pm$ 0,5 W 50 lm $\pm$ 10 lm
<b>Allmänna tekniska data</b>	
Omgivningstemperatur för drift	-10 °C ... 45 °C
Laddningstemperatur	0 °C ... 45 °C
Förvaringstemperaturområde	-20 °C ... 60 °C
Maximal självurladdningshastighet vid 25 °C	5 % per månad
Luftfuktighet omgivning	$\leq$ 95 %, icke-kondenserande
Skyddsklass	IP 44
Livslängd	2 000 laddningscykler
Mått (BxHxD)	85 $\times$ 222 $\times$ 85 mm
Vikt	1,8 kg
Test/certifikat	

## Norsk

1	Viktige merknader.....	99
2	Symbolforklaring.....	99
3	Sikkerhetsinstruksjoner.....	100
4	Leveringsomfang.....	101
5	Forskriftsmessig bruk.....	102
6	Teknisk beskrivelse.....	102
7	Betjening.....	103
8	Rengjøring og vedlikehold.....	106
9	Lagring.....	106
10	Feilretting.....	106
11	Avfallshåndtering.....	107
12	Garanti.....	107
13	Tekniske spesifikasjoner.....	107

## 1 Viktige merknader

Vennligst les disse instruksjonene nøye og følg alle anvisninger, retningslinjer og advarsler i denne produktveiledningen for å sikre at du installerer, bruker og vedlikeholder produktet ordentlig til enhver tid. Disse instruksjonene MÅ alltid følge med produktet.

Ved å bruke dette produktet bekrefter du at du har lest alle anvisninger, retningslinjer og advarsler grundig, og at du forstår og samtykker i å overholde vilkårene slik de er presentert her. Du godtar å bruke dette produktet kun til tiltenkt formål og bruksområder, og i samsvar med anvisningene, retningslinjene og advarslene slik de er presentert i denne produktveiledningen, så vel som i samsvar med alle gjeldende lovbestemmelser og forskrifter. Hvis anvisningene og advarslene som er presentert her, ikke blir lest og fulgt, kan det føre til personskader hos deg selv eller andre, skader på produktet eller skader på annen eiendom i nærheten. Denne produktveiledningen med sine anvisninger, retningslinjer og advarsler, samt relatert dokumentasjon, kan være underlagt endringer og oppdateringer. For oppdatert produktinformasjon, se [documents.dometic.com](https://documents.dometic.com).

## 2 Symbolforklaring



### ADVARSEL!

Kjennetegner en farlig situasjon som - dersom den ikke unngås - kan resultere i alvorlige personskader, eventuelt med døden til følge.



### FORSIKTIG!

Kjennetegner en farlig situasjon som - dersom den ikke unngås - kan resultere i mindre til moderate personskader.



### PASS PÅ!

Kjennetegner en situasjon som - dersom den ikke unngås - kan resultere i materielle skader.



**MERK** Ytterligere informasjon om betjening av produktet.

## 3 Sikkerhetsinstruksjoner

### Grunnleggende sikkerhet



#### ADVARSEL! Fare for elektrisk støt

- Apparatet må ikke tas i bruk hvis det har synlige skader.
- Apparatet skal bare repareres av fagfolk. Utilstrekkelige reparasjoner kan medføre betydelige farer.
- Ikke demonter apparatet.
- Ikke modifier eller tilpass komponenter på noen måte.
- Bruk kun tilbehør og reservedeler som er anbefalt av produsenten.
- Ikke bruk apparatet under våte forhold eller senk det ned i væske. Må oppbevares på en tørr plass.
- Slå av enheten og koble den fra strømforsyningen før hver rengjøring eller vedlikehold og etter hver bruk.



#### ADVARSEL! Fare for personskader

Batterier inneholder aggressive og etsende syrer. Unngå at batterivæske kommer i kontakt med kroppen. Hvis huden kommer i kontakt med batterivæske, må den delen av kroppen vaskes grundig med vann. Hvis du blir skadet av syre, kontakt lege umiddelbart.



#### ADVARSEL! Helsefare

- Ikke åpne eller skad batteriene eller la dem slippe ut i naturen, da de inneholder giftig tungmetall som er miljøskadelig.
- Dette apparatet kan brukes av barn fra 8 år og oppover og personer med reduserte fysiske, sensoriske eller mentale evner eller som mangler erfaring og kunnskap, hvis de er under oppsyn eller har fått veiledning i hvordan apparatet brukes på en forsvarlig måte og forstår hvilke farer det innebærer.
- **Elektriske apparater er ikke leketøy.** Oppbevar og bruk apparatet utenfor barns rekkevidde.
- Barn skal være under tilsyn for å sikre at de ikke leker med apparatet.
- Rengjøring og vedlikehold skal ikke utføres av barn uten at de er under oppsyn.



#### PASS PÅ! Fare for skader

- Før apparatet tas i bruk må du sammenlikne spenningsspesifikasjonene på typeskiltet med den tilgjengelige strømtilførselen.
- Påse at andre gjenstander **ikke kan** forårsake kortslutning på kontaktene til apparatet.
- Pass på at negative og positive poler **aldri** kommer i kontakt med hverandre.
- Ikke bruk kablene som håndtak.

### Sikkerhet ved bruk av apparatet



#### FORSIKTIG! Eksplosjonsfare

- **Ikke** bruk apparatet under følgende forhold:
  - i saltholdige, fuktige eller våte omgivelser
  - I nærheten av aggressive damper
  - I nærheten av brennbare materialer
 på steder det er fare for gass- eller støveksplisjon

- Forsøk aldri å lade et frossent eller defekt batteri. Plasser batteripakken i et frostoffritt område, og vent til batteriet har tilpasset seg til omgivelsestemperaturen.
- Ikke sett enheten i nærheten av varmekilder (varmeelementer, direkte sollys, gassovn, osv.).
- Ikke røyk, bruk åpen flamme eller lag gnister i nærheten av batteripakken.
- Ikke la apparatet være uten tilsyn under bruk.



#### **FORSIKTIG! Fare for elektrisk støt**

- Før du starter apparatet, må du sørge for at strømforsyningskabelen og pluggen er tørre, og at pluggen er fri for rust og smuss.
- Når du arbeider med elektriske systemer, må du forsikre deg om at det er noen i nærheten som kan hjelpe deg i et nødstilfelle.
- Legg kablene slik at de ikke kan skades av skarpe kanter, dører eller panseret. **Ikke** legg kabler slik at de får skarpe bøyer. Kabler i klem kan føre til livsfarlige skader.
- Ikke løsne kabler mens apparatet fortsatt er i drift.



#### **FORSIKTIG! Brannfare**

- Ikke mist, slå eller bruk nødvendig kraft på apparatet for å unngå skader på eksterne og interne deler.
- Ikke plasser apparatet i nærheten av brennbart materiale.



#### **FORSIKTIG! Fare for personskader**

Når apparatet posisjoneres, må du påse at alle kabler er festet på en slik måte at de ikke utgjør noen form for snublefare.



#### **PASS PÅ! Fare for skader**

- Pass på at lufteåpningene på apparatet ikke tildekkes.
- Sikre god ventilasjon.
- Sett apparatet på et tørt sted som er beskyttet mot vannsprut.
- Trekk aldri ut støpselet fra stikkontakten etter kabelen.
- Kveil opp kabelen løst ved oppbevaring, tett pakking kan ødelegge kabelen og indre deler.
- Unngå dyputlading av apparatet.

## 4 Leveringsomfang

Antall	Beskrivelse
1	Bærbar batteripakke
1	Ladekabel (USB-C til USB-C)
1	Ladekabel til bil (sigarettennerport til DC5525)
1	Kort bruksanvisning
1	Bruksanvisning (bare digital)

## 5 Forskriftsmessig bruk

Den bærbare batteripakken er ment for lading av digitale mobile enheter (f.eks. mobiltelefoner, nettbrett, bærbare datamaskiner osv.) eller bruk av 12 V-apparater (f.eks. luftpumper, kjølebokser og annet utendørsutstyr), samt for bruk som lommelykt.

Den bærbare batteripakken er egnet for utendørs bruk, f.eks. reiser.

Den bærbare batteripakken er **ikke** egnet for

- Parallell tilkobling med andre bærbare batteripakker
- Bruk i næringsdrift

Dette produktet er kun egnet for det tiltenkte formålet og bruksområdet i samsvar med disse instruksjonene.

Denne veiledningen gir informasjon som er nødvendig for korrekt installasjon og/eller bruk av produktet. Feilaktig installasjon og/eller ukorrekt bruk eller vedlikehold vil resultere i en utilfredsstillende ytelse og mulig svikt.

Produsenten fraskriver seg ethvert ansvar for personskader eller materielle skader på produktet som følge av:

- Ukorrekt installasjon, montering eller tilkobling, inkludert for høy spenning
- Ukorrekt vedlikehold eller bruk av andre reservedeler enn originale reservedeler levert av produsenten
- Modifisering av produktet uten at det er gitt uttrykkelig godkjenning av produsenten
- Bruk til andre formål enn beskrevet i denne veiledningen

Dometic forbeholder seg rettigheten til å endre produktet ytre og produktspesifikasjoner.

## 6 Teknisk beskrivelse

### Generell beskrivelse

Batteripakken er utstyrt med et litiumjernfosfat-batteri og en integrert LED-lommelykt.

Digitale mobile enheter kan lades ved én av de to USB-utgangene (**2** og **4**, fig. **1** på side 103). I tillegg kan apparatet brukes til betjening av 12 V-apparater via DC-utgangen (tilkobling for billaderadapter, **5**, fig. **1** på side 103).

Den bærbare batteripakken kan lades via USB-C-inngangen (**2**, fig. **1** på side 103) eller DC-inngangen (**6**, fig. **1** på side 103).

Ladeprosessen og den nåværende ladestatusen vises av batteristatusindikatoren (**8**, fig. **1** på side 103). Batteristatusindikatoren aktiveres i følgende tilfeller:

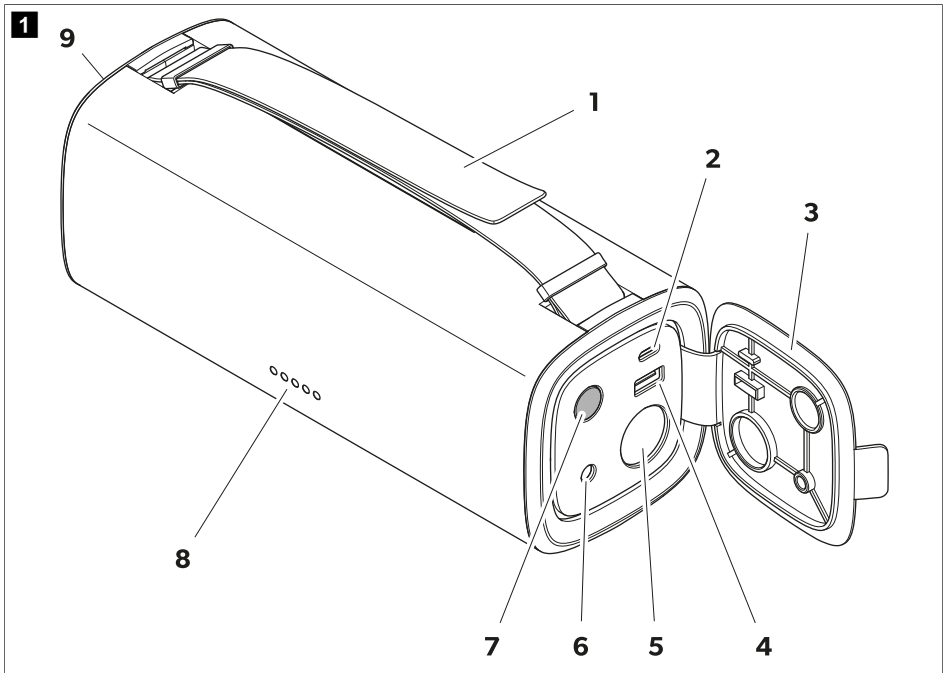
- Batteripakken lades.
- En belastning er koblet til batteripakken.
- Lommelykten er slått på.

Den bærbare batteripakken har følgende beskyttelsesmekanismer:

- Beskyttelse mot for høy eller lav temperatur
- Overstrømsvern
- Overspennings- og underspenningsvern ved inngangene
- Overspenningsvern ved utgangene
- Kortslutningsvern

- Overoppladings- og dyputladingsvern

## Apparatbeskrivelse



Nr.	Forklaring	Nr.	Forklaring
1	Justerbart bærehåndtak	6	DC5525-inngang (12 V... 32 V)
2	USB-C-inngang/-utgang (5 V/3 A, 9 V/3 A, 12 V/3 A, 15 V/3 A, 20 V/3 A)	7	På / Av-knapp
3	Lokk til apparat	8	LED-batteristatusindikator
4	USB-A-utgang (5 V/2,4 A, 9 V/2 A, 12 V/1,5 A)	9	LED-lommelykt
5	DC-utgang (12 V/15 A)		

## 7 Betjening



### PASS PÅ! Fare for skader

Lad batteripakken etter hver bruk.



**MERK** Lading av digitale mobile enheter, betjening av 12 V-enheter og lading av batteripakken på samme tid er mulig.

## Før første bruk

- > Lad batteripakken før første bruk til den er fullstendig ladet (se kapittelet Lade batteripakken på side 104).

## Lade batteripakken



### PASS PÅ! Fare for skader

- Sørg for tilstrekkelig ventilasjon, og sørg for at varmen som genereres under ladeprosessen, kan spres bort fra batteripakken.
- Sørg for at tomgangsspenningen (Voc) til kjøretøybatteriet eller solcellemodulen ikke overstiger 32 V.

Den nødvendige ladetiden til batteripakken avhenger av den valgte ladekilden og ladeinngangen. Den bærbare batteripakken kan lades opp til 60 W via USB-C-inngangen eller opp til 100 W via DC-inngangen. Ved lading via USB-C-inngangen og DC-inngangen samtidig kan ladeeffekten økes opp til 120 W.

DC-inngangen støtter både lading med kjøretøybatteri og lading med solenergi.

1. Plasser batteripakken på et fast og varmebestandig underlag.
  2. Åpne apparatlokket for å få tilgang til tilkoblinger og betjeningsselementer.
  3. Koble en passende strømkilde (f.eks. kjøretøybatteri eller solcellepanel) til DC-inngangen eller USB-C-inngangen til batteripakken.
- ✓ Batteristatusindikatoren viser ladestatusen (se kapittelet Sjekk ladestatusen på side 104). LED-lampen til det neste høyere ladenivået blinker til full lading er nådd.

Ladeprosessen stopper automatisk når batteripakken er fulladet. Alle LED-lampene til batteristatusindikatoren lyser.

4. Fjern alle ladekablene og lukk apparatlokket etter lading.

## Sjekk ladestatusen

- > Trykk på -knappen for å aktivere eller deaktivere batteristatusindikatoren (**8**, fig. **1** på side 103).



### MERK

- Batteristatusindikatoren slås automatisk av hvis ingen belastning eller ladekilde er koblet til.
- Når ladestatusen faller under 5 %, begynner LED-lampe 1 å blinke for å indikere lav batteristatus.

- ✓ Batteristatusindikatoren viser ladestatusen mellom 0 % (utladet) og 100 % (fulladet).

Batteristatusindikator					Batterikapasitet
LED 1	LED 2	LED 3	LED 4	LED 5	
○	○	○	○	○	0 %
●	○	○	○	○	5 ... 20 %
●	●	○	○	○	21 ... 40 %
●	●	●	○	○	41 ... 60 %
●	●	●	●	○	61 ... 80 %
●	●	●	●	●	81 ... 100 %



## Bruke LED-lommelykten


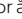


### **FORSIKTIG! Fare for personskader**

Unngå å se direkte inn i LED-lommelykten, da dette kan skade øynene.



**MERK** Lommelykten er justerbar i to fargetemperaturer: Nøytralt hvitt (ved 4300 K) og kjølig hvitt (ved 6400 K).

1. Åpne apparatlokket for å få tilgang til tilkoblinger og betjeningslementer.
2. Trykk på og hold inne -knappen i 3 s for å slå lommelykten av eller på.  
✓ Batteristatusindikatoren lyser.
3. Trykk på -knappen for å veksle mellom fargetemperaturene.



**MERK** Hvis belastninger eller ladekilder er tilkoblet, er den kjølige hvitfargen ikke tilgjengelig, og lommelykten er automatisk satt til nøytralt hvitt.

4. Hold lommelykten ved hjelp av bærehåndtaket. Bærehåndtaket kan justeres til ønsket lengde.
5. Lukk apparatlokket etter bruk.

## Lading av digitale enheter via USB

USB-C-utgangen har en ladeeffekt på 60 W, og USB-A-utgangen har en ladeeffekt på 18 W.



### **MERK**

- Lading av digitale mobile enheter er ikke mulig hvis batteripakken har lav batteristatus (ladestatus < 5 %).
- To digitale mobile enheter kan lades samtidig ved å bruke begge USB-utgangene.

1. Åpne apparatlokket for å få tilgang til tilkoblinger og betjeningslementer.
2. Velg en ladekabel med en passende adapter, avhengig av USB-utgangen som skal brukes, og koble batteripakken til den digitale enheten.  
✓ Den digitale enheten lades automatisk via batteripakken. Batteristatusindikatoren viser den gjenværende ladestatusen til batteripakken.
3. Fjern alle ladekablene og lukk apparatlokket etter lading.

## Betjening av 12 V-enheter



### **PASS PÅ! Fare for skader**

Sørg for tilstrekkelig ventilasjon, og sørg for at varmen som genereres, kan spres bort fra batteripakken.



**MERK** Bruk av 12 V-apparater er ikke mulig når batteripakken har lav batteristatus (ladestatus < 5 %).

DC-utgangen tilfører en mobil strømforsyning med opptil 150 W kontinuerlig strøm.

1. Plasser batteripakken på et fast og varmebestandig underlag.
2. Åpne apparatlokket for å få tilgang til tilkoblinger og betjeningslementer.

3. Koble strømkabelen til 12 V-apparatet til DC-utgangen til batteripakken.
- ✓ 12 V-apparatet forsynes automatisk med strøm for bruk via batteripakken. Batteristatusindikatoren viser den gjenværende ladestatusen til batteripakken.
4. Koble strømkabelen fra 12 V-apparatet og lukk apparatlokket til batteripakken etter bruk.

## 8 Rengjøring og vedlikehold



### ADVARSEL! Fare for elektrisk støt

Koble apparatet fra strømforsyningen før hver gang rengjøring og vedlikehold utføres.



### PASS PÅ! Fare for skader

- Apparatet må aldri rengjøres under rennende vann eller spyles.
  - Bruk ikke skarpe eller harde gjenstander, skurende vaskemidler eller blekemidler under rengjøring, da disse kan skade apparatet.
- > Rengjør apparatet regelmessig med en myk, fuktig klut.
- > Sjekk strømførende kabler eller ledninger regelmessig for feil på isoleringen, brudd eller vakkellkontakter.

## 9 Lagring



### PASS PÅ! Fare for skader

- Du må kun lagre batteripakken når den er fulladet. Lad den lagrede batteripakken på nytt regelmessig, minst hver tredje til sjette måned, selv når den ikke er i bruk.
  - Ta hensyn til den optimale oppbevaringstemperaturen som er angitt, da lagring over lengre tid ved høye og lave temperaturer kan redusere levetiden og ytelsen til batteripakken.
- > Lagre batteripakken på et godt ventilert, tørt sted, der den er beskyttet mot støv og smuss.
- > Kontroller ladestatusen til batteripakken regelmessig (se kapittelet Sjekk ladestatusen på side 104).

## 10 Feilretting

Problem	Mulig årsak	Løsningsforslag
Batteripakken virker ikke. Ⓢ-knappen reagerer ikke.	Batteripakken er dypt utladet.	Lad batteripakken (se kapittelet Lade batteripakken på side 104).
	Isoleringsfeil, brudd eller vakkellkontakter i strømførende kabler.	<ul style="list-style-type: none"> <li>&gt; Sjekk strømførende kabler for feil på isoleringen, brudd eller vakkellkontakter.</li> <li>&gt; Hvis du ikke kan finne noen feil, tar du kontakt med et autorisert serviceverksted.</li> </ul>
	Overstrømsvernet til batteripakken er utløst.	1. Fjern belastningene fra USB-C-, USB-A- og DC-utgangene.

Problem	Mulig årsak	Løsningsforslag
	Kortslutningsvernet til batteripakken er utløst.	<ol style="list-style-type: none"> <li>Følg med på den maksimale belastningen til utgangene (se kapitlet Tekniske spesifikasjoner på side 107) ved tilkobling til apparatene på nytt.</li> <li>Hvis ladingen ikke starter på nytt umiddelbart etter at apparatene er koblet til, lader du batteripakken for å reaktivere den (se kapitlet Lade batteripakken på side 104).</li> </ol>

## 11 Avfallshåndtering



Resirkulering av emballasje: Lever emballasje til resirkulering så langt det er mulig.



Resirkulering av produkter med ikke-erstattbare batterier, oppladbare batterier eller lyskilder:

- Hvis produkter inneholder ikke-erstattbare batterier, oppladbare batterier eller lyskilder, trenger du ikke fjerne dem før avhending.
- Hvis du ønsker å avfallsbehandle produktet, må du rådføre deg med nærmeste gjenvinningsstasjon eller din faghandler om hvordan du kan gjøre dette i overensstemmelse med gjeldende deponeringsforskrifter.
- Produktet kan avhendes gratis.

## 12 Garanti

Lovmessig garantitid gjelder. Hvis produktet er defekt: Ta kontakt med produsentens filial (se [dometic.com/dealer](http://dometic.com/dealer)) eller forhandler i ditt land.


Ved henvendelser vedrørende reparasjon eller garanti, må du sende med følgende dokumentasjon:

- Kopi av kvitteringen med kjøpsdato
- Årsak til reklamasjonen eller beskrivelse av feilen

Vær oppmerksom på at reparasjoner som utføres selv, eller som ikke utføres på en profesjonell måte, kan gå ut over sikkerheten og føre til at garantien blir ugyldig.

## 13 Tekniske spesifikasjoner

Batteripakke	
Batteritype	Litiumjernfosfat/LiFePO4
Nominell batterikapasitet	15 Ah
Nominell batterispenning	12,8 V <sup>nom</sup>
USB-A-utgang	

Utgangsspenning/merkestrøm	5 V <sup>===</sup> /2,4 A, 9 V <sup>===</sup> /2 A, 12 V <sup>===</sup> /1,5 A
<b>USB-C-utgang/-inngang</b>	
Ladespenningsområde	5 ... 20 V <sup>===</sup>
Inngangsstrøm	3 A
<b>DC-utgang</b>	
Utgangsspenning	12 V <sup>===</sup>
Merkestrøm	15 A
<b>DC-inngang</b>	
Ladespenningsområde	12 ... 32 V <sup>===</sup>
Maksimal inngangsstrøm	5,5 A
<b>LED-lommelykt</b>	
Kjølig hvitt	
<ul style="list-style-type: none"> <li>• LED-lyseffekt</li> <li>• Lumen</li> </ul>	<p>4,5 W ± 0,5 W</p> <p>160 lm ± 10 lm</p>
Nøytralt hvitt	
<ul style="list-style-type: none"> <li>• LED-lyseffekt</li> <li>• Lumen</li> </ul>	<p>2,5 W ± 0,5 W</p> <p>50 lm ± 10 lm</p>
<b>Generelle tekniske spesifikasjoner</b>	
Omgivelsestemperatur for drift	-10 °C ... 45 °C
Ladetemperatur	0 °C ... 45 °C
Temperaturområde for lagring	-20 °C ... 60 °C
Maksimal selvutlading ved 25 °C	5 % i måneden
Relativ luftfuktighet	≤ 95 %, ikke-kondenserende
Beskyttelsesklasse	IP 44
Levetid	2000 ladesykluser
Mål (BxHxD)	85 × 222 × 85 mm
Vekt	1,8 kg
Test/sertifikater	

# Suomi

1	Tärkeitä huomautuksia.....	109
2	Symbolien selitykset.....	109
3	Turvallisuusohjeet.....	110
4	Toimituskokonaisuus.....	111
5	Käyttötarkoitus.....	112
6	Tekninen kuvaus.....	112
7	Käyttö.....	113
8	Puhdistus ja hoito.....	116
9	Varastointi.....	116
10	Vianetsintä.....	116
11	Hävittäminen.....	117
12	Takuu.....	117
13	Tekniset tiedot.....	117

## 1 Tärkeitä huomautuksia

Lue nämä ohjeet huolellisesti ja noudata kaikkia tämän tuotteen käyttöohjeissa annettuja ohjeita, määräyksiä ja varoituksia. Näin varmistat, että tuotteen asennus, käyttö ja huolto sujuu aina oikein. Näiden ohjeiden TÄYTYY jäädä tuotteen yhteyteen.

Käyttämällä tuotetta vahvistat lukeneesi kaikki ohjeet, määräykset ja varoitukset huolellisesti ja että ymmärrät ja hyväksyt tässä annetut ehdot. Sitoudut käyttämään tuotetta ainoastaan sen käyttötarkoitukseen ja ilmoitetuissa käyttökohteissa ja noudattaen tässä tuotteen käyttöohjeessa annettuja ohjeita, määräyksiä ja varoituksia sekä voimassa olevia lakeja ja määräyksiä. Tässä annettujen ohjeiden ja varoitusten lukematta ja noudattamatta jättäminen voi johtaa omaan tai muiden loukkaantumiseen, tuotteen vaurioitumiseen tai muun ympärillä olevan omaisuuden vaurioitumiseen. Tähän tuotteen käyttöohjeeseen, ohjeisiin, määräyksiin ja varoituksiin sekä ohjeidokumentteihin voidaan tehdä muutoksia ja niitä voidaan päivittää. Katso ajantasaiset tuotetiedot osoitteesta [documents.dometic.com](https://documents.dometic.com).

## 2 Symbolien selitykset



### **VAROITUS!**

viittaavat vaaralliseen tilanteeseen, joka voi johtaa kuolemaan tai vakavaan loukkaantumiseen, jos ohjeita ei noudateta.



### **HUOMIO!**

viittaavat vaaralliseen tilanteeseen, joka voi johtaa lievään tai kohtalaiseen loukkaantumiseen, jos ohjeita ei noudateta.



### **HUOMAUTUS!**

viittaavat tilanteeseen, joka voi johtaa esinevahinkoon, jos ohjeita ei noudateta.



**OHJE** Tuotteen käyttöä koskevia lisätietoja.

## 3 Turvallisuusohjeet

### Perusturvallisuus



#### VAROITUS! Sähköiskun vaara

- Laitetta ei saa ottaa käyttöön, jos laitteessa on näkyviä vaurioita.
- Ainoastaan ammattilaiset saavat korjata laitetta. Väärin tehdyistä korjauksista voi aiheutua vakavia vaurioita.
- Älä pura laitetta osiin.
- Älä tee mihinkään osaan minkäänlaisia muutoksia.
- Käytä ainoastaan valmistajan suosittelemia lisävarusteita ja varaosia.
- Älä käytä tätä laitetta märissä olosuhteissa äläkä upota sitä mihinkään nesteeseen. Säilytä sitä kuivassa paikassa.
- Kytke laite pois päältä ja irrota se virransyötöstä ennen laitteen puhdistamista tai huoltamista ja aina käytön jälkeen.



#### VAROITUS! Loukkaantumiskaava

Akut sisältävät vahvoja, syövyttäviä happoja. Vältä ihokosketusta akkunesteiden kanssa. Jos akkunestettä on päässyt iholle, huuhtelee kyseinen alue huolellisesti vedellä. Jos happo on aiheuttanut sinulle vamman, hakeudu välittömästi lääkäriin.



#### VAROITUS! Terveysvaara

- Älä avaa tai vahingoita akkuja äläkä päästä niitä ympäristöön, koska ne sisältävät myrkyllisiä ja ympäristölle haitallisia raskasmetalleja.
- Tätä laitetta voivat käyttää valvonnan alaisuudessa myös vähintään 8-vuotiaat lapset samoin kuin henkilöt, joiden fyysiset, aistinvaraiset tai henkiset kyvyt ovat rajoittuneet tai joilta puuttuu laitteen käytön vaatima kokemus tai tietämys, mikäli edellä mainittuja henkilöitä on opastettu käyttämään laitetta turvallisesti ja mikäli henkilöt ymmärtävät laitteen käyttöön liittyvät riskit.
- **Sähkölaitteet eivät ole leikkikaluja.** Säilytä ja käytä laitetta hyvin pienten lasten ulottumattomissa.
- Lapsia tulee valvoa sen varmistamiseksi, etteivät he leiki laitteella.
- Lapset eivät saa ilman valvontaa puhdistaa laitetta eivätkä ryhtyä käyttäjälle sallittuihin kunnossapitotöihin.



#### HUOMAUTUS! Vahingonvaara

- Vertaa tyyppietiketin jännitetietoja käytettävissä olevaan energiansyöttöön ennen käyttöön ottamista.
- Varmista, että muut esineet **eivät voi** aiheuttaa laitteen koskettimien oikosulkuja.
- Huolehdi siitä, että plus- ja miinusnavat **eivät koskaan** ole kosketuksissa toisiinsa.
- Älä käytä johtoja kantokahvana.

### Laitteen käyttöturvallisuus



#### HUOMIO! Räjähdyksivaara

- **Älä** käytä laitetta seuraavissa olosuhteissa:  
suolapitoisessa, kosteassa tai märässä ympäristössä

syövyttävien höyryjen lähellä  
 palavien materiaalien lähellä  
 alueilla, joilla on olemassa kaasu- tai pölyräjähdysvaara

- Älä koskaan yritä ladata jäädyntynyttä tai viallista akkua. Sijoita akkupakka tilaan, jossa ei ole pakkasta. Odota, että akku on mukautunut ympäristön lämpötilaan.
- Älä altista laitetta lämpölähteille (lämmitys, suora auringonpaiste, kaasu-uunit jne.).
- Älä tupakoi, sytytä avoliekkiä äläkä aiheuta kipinöitä akun lähistöllä.
- Älä jätä laitetta ilman valvontaa sen ollessa käytössä.



#### **HUOMIO! Sähköiskun vaara**

- Ennen laitteen käynnistämistä on varmistettava, että virtajohto ja pistoke ovat kuivat ja että pistokkeessa ei ole ruostetta eikä likaa.
- Kun työskentelet sähköjärjestelmän parissa, varmista, että joku on lähellä hätätilanteen yllättäessä.
- Vedä johdot siten, että terävät reunat kuten ovet tai konepelti eivät voi vahingoittaa niitä. Johtoja **ei** saa vetää niin, että muodostuu teräviä taitteita. Rusuntuneet johdot voivat johtaa hengenvaarallisiin vammoihin.
- Älä irrota mitään johtoja, kun laite on vielä toiminnassa.



#### **HUOMIO! Palovaara**

- Älä pudota tai iske laitetta äläkä käsittele sitä kovakouraisesti, jotta se ei vaurioidu ulkoa eikä sisältä.
- Älä sijoita laitetta syttyvien materiaalien lähetyville.



#### **HUOMIO! Loukkaantumiswaara**

Kun sijoitat laitetta, varmista, että kaikki johdot on kiinnitetty sopivalla tavalla kaikenlaisten kompastumisvaarojen välttämiseksi.



#### **HUOMAUTUS! Vahingonvaara**

- Varmista, että laitteen ilmanotto- ja ilmanpoistoaukkoja ei ole peitetty.
- Varmista hyvä ilmanvaihto.
- Sijoita laite kuivaan ja roiskevedeltä suojattuun paikkaan.
- Älä koskaan irrota pistoketta pistorasiasta johdosta vetämällä.
- Kierrä johto löysälle rullalle säilytystä varten; kiertäminen tiukalle rullalle voi vaurioittaa johtoa ja sisäosia.
- Älä päästä laitetta syväpurkautumaan.

## 4 Toimituskokonaisuus

Määrä	Kuvaus
1	Kannettava akkupakka
1	Latausjohto(USB-C–USB-C)
1	Auton latausjohto (savukkeensytytin–DC5525)
1	Pikakäyttöohje
1	Käyttöohje (vain digitaalinen)

## 5 Käyttötarkoitus

Kannettavaa akkupakkaa voidaan käyttää digitaalisten mobiililaitteiden (esim. matkapuhelinten, tablettitietokoneiden, kannettavien tietokoneiden ja kameroiden) lataamiseen tai 12 V:n laitteen (esim. ilmapumpun, kylmälaukun tai muun ulkokäyttöön suunniteltujen varusteiden) käyttämiseen.

Kannettava akkupakka on suunniteltu ulkokäyttöön, esimerkiksi retkeilyyn.

Kannettava akkupakka **ei** sovellu seuraaviin:

- Kannettavien akkupakkojen rinnankytkentä
- Kaupallinen käyttö

Tämä tuote soveltuu ainoastaan näissä ohjeissa ilmoitettuun käyttötarkoitukseen ja käyttökohteeseen.

Näistä ohjeista saat tuotteen asianmukaiseen asennukseen ja/tai käyttöön tarvittavat tiedot. Väärin tehdyn asennuksen ja/tai väärän käyttötavan tai vääränlaisen huollon seurauksena laite ei toimi tyydyttävästi, ja se saattaa mennä epä-kuntoon.

Valmistaja ei ota vastuuta tapaturmista tai tuotevaurioista, jotka johtuvat seuraavista:

- Väärin tehty asennus tai liitäntä, ylijännite mukaan lukien
- Väärin tehty huolto tai muiden kuin valmistajalta saatavien alkuperäisten varaosien käyttö
- Tuotteeseen ilman valmistajan nimenomaista lupaa tehdyt muutokset
- Käyttö muuhun kuin tässä ohjeessa ilmoitettuun tarkoitukseen

Dometic pidättää itsellään oikeuden muutoksiin tuotteen ulkonäössä ja spesifikaatioissa.

## 6 Tekninen kuvaus

### Yleiskuvaus

Akkupakka sisältää litiumrautafosfaattiakun ja integroidun LED-valon.

Digitaalisia mobiililaitteita voi ladata jommallakummalla USB-lähdöllä (**2** ja **4**, kuva. **1** sivulla 113). Laitteella voi lisäksi käyttää 12 V:ta laitetta DC-lähdöllä (liitäntä auton lataussovittimeen, **5**, kuva. **1** sivulla 113).

Akkupakan voi ladata USB-C-tulon (**2**, kuva. **1** sivulla 113) tai DC-tulon (**6**, kuva. **1** sivulla 113) kautta.

Latausprosessi ja akun varaustila näytetään akun tilan ilmaisimessa (**8**, kuva. **1** sivulla 113). Akun tilan ilmaisin käynnistyy, kun:

- Akkupakkaa ladataan.
- Akkupakkaan on liitetty kuorma.
- Valo on kytketty päälle.

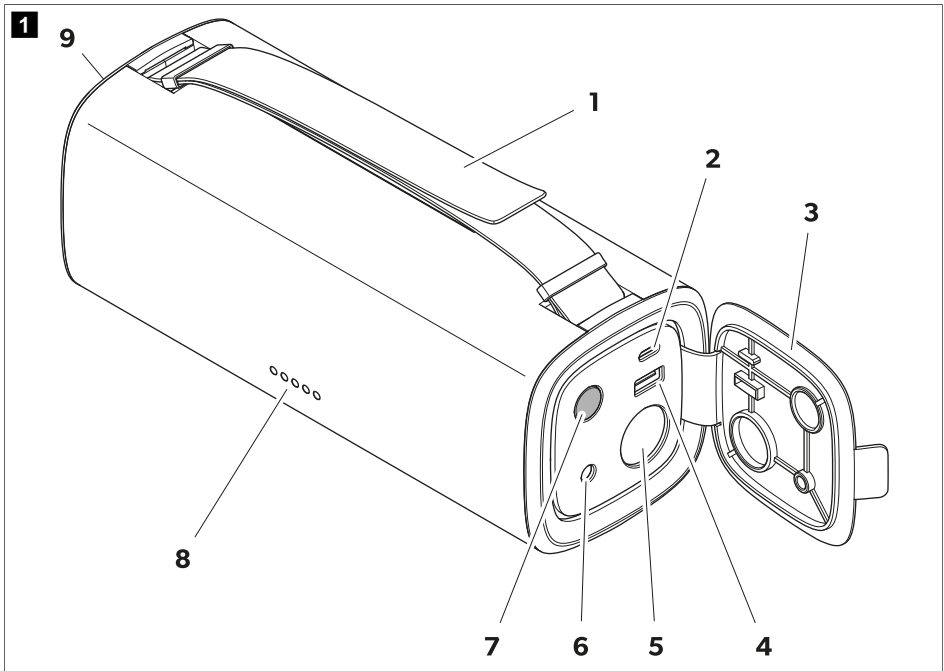
Akkupakassa on seuraavat suojaimekanismit:

- Korkean ja alhaisen lämpötilan suoja
- Ylivirtasuoja
- Tulojen ali- ja ylijännitesuoja
- Lähtöjen ylijännitesuoja
- Oikosulkusuoja



- Yliilataussuoja ja syväpurkaussuoja

## Laitekuvaus



Nro	Selitys	Nro	Selitys
1	Säädettävä kantokahva	6	DC5525-tulo (12 V... 32 V)
2	USB-C-tulo/-lähtö (5 V/3 A, 9 V/3 A, 12 V/3 A, 15 V/3 A, 20 V/3 A)	7	Painike on/off
3	Laitteen kansi	8	Akun tilan ilmaisimen merkkivalo
4	USB-A-lähtö (5 V/2,4 A, 9 V/2 A, 12 V/1,5 A)	9	LED-valo
5	DC-lähtö (12 V/15 A)		

## 7 Käyttö



### HUOMAUTUS! Vahingonvaara

Lataa akkupakka aina käytön jälkeen.



**OHJE** Digitaalisten mobiililaitteiden lataaminen, 12 V:n laitteen käyttäminen ja akkupakan lataaminen samanaikaisesti on mahdollista.

## Ennen ensimmäistä käyttökertaa

- > Lataa akkupakka täyteen ennen ensimmäistä käyttöä (katso kappale Akkupakan lataus sivulla 114).

## Akkupakan lataus



### HUOMAUTUS! Vahingonvaara

- Varmista riittävä ilmanvaihto ja huolehdi siitä, että akkupakan latausprosessin aikana syntyvä lämpö saadaan johdettua riittävän hyvin pois.
- Varmista, että ajoneuvon akun tai aurinkopaneelin lepojännite (Vac) ei ole yli 32 V.

Akkupakan latauksen kesto riippuu valitusta latauslähteestä ja -tulosta. USB-C-tulon kautta kannettavan akkupakan ylin lataustaso on 60 W ja DC-tulon kautta 100 W. Kun ladataan samanaikaisesti USB-C- ja DC-tulon kautta, akkupakan ylin lataustaso on jopa 120 W.

DC-tuloa voidaan käyttää sekä ajoneuvon akusta ja aurinkopaneelista ladatessa.

1. Aseta akkupakka tukevalle ja lämpöä kestäväälle alustalle.
  2. Avaa laitteen kansi, jonka alla ovat liitännät ja säätimet.
  3. Liitä sopiva virtalähde (esim. ajoneuvon akku, aurinkopaneeli) akkupakan DC-tuloon tai USB-C-tuloon.
- ✓ Akun tilan ilmaisain näyttää latauksen tilan (kato kappale Varaustilan tarkastus sivulla 114). Seuraavan lataustason LED-valo vilkkuu, kunnes lataustaso on saavutettu.

Latausprosessi loppuu automaattisesti, kun akkupakka on ladattu täyteen. Kaikki LED-valot palavat yhtäjaksoisesti.

4. Latauksen jälkeen irrota kaikki latausjohdot ja sulje laitteen kansi.

## Varaustilan tarkastus

- > Paina painiketta  aktivoiaksesi tai deaktivoiaksesi akun tilan ilmaisain (8, kuva. 1 sivulla 113).



### OHJE

- Akun tilan ilmaisain kytketään automaattisesti pois päältä, jos kuormaa tai latauslähdettä ei ole liitetty.
- Kun latauksen tila on alle 5 %, LED 1 -valo alkaa vilkkua kertoakseen alhaisesta akun varaustilasta.

- ✓ Akun tilan ilmaisain ilmoittaa varaustilan välillä 0 % (syväpurkautunut) ja 100 % (ladattu täyteen).

Akun tilan ilmaisain					Akkukapasiteetti
LED 1	LED 2	LED 3	LED 4	LED 5	
○	○	○	○	○	0 %
●	○	○	○	○	5 ... 20 %
●	●	○	○	○	21 ... 40 %
●	●	●	○	○	41 ... 60 %
●	●	●	●	○	61 ... 80 %
●	●	●	●	●	81 ... 100 %

## LED-valon käyttö





### HUOMIO! Loukkaantumisvaara

Älä katso suoraan LED-valoon, koska se voi vahingoittaa näköäsi.



**OHJE** LED-valossa on kaksi värilämpötilaa: Neutraali valkoinen (4300 K) ja kylmä valkoinen (6400 K).

1. Avaa laitteen kansi, jonka alla ovat liitännät ja säätimet.
2. Pidä painiketta  painettuna 3 s sekunnin ajan kytkeäksesi valon päälle ja pois päältä.
- ✓ Akun tilan ilmaisin palaa.
3. Vaihda värilämpötilaa painamalla painiketta .



**OHJE** Jos akkupakkaan on liitetty latauslähteitä, kylmä valkoinen ei ole valittavissa. Valon väri on automaattisesti neutraali valkoinen.

4. Voit kantaa valoa kantokahvalla. Kantokahvan pituutta voi säätää.
5. Sulje laitteen kansi käytön jälkeen.

## Digitaalisten laitteiden lataaminen USB-johdon kautta

USB-C-lähdön latausvirta on 60 W ja USB-A-lähdön latausvirta on 18 W.



### OHJE

- Digitaalisten mobiililaitteiden lataaminen ei ole mahdollista, jos akkupakan varaustila on matala (akun varaustila <5 %).
- Käyttämällä molempia USB-lähtöjä voidaan ladata kahta digitaalista mobiililaitetta samanaikaisesti.

1. Avaa laitteen kansi, jonka alla ovat liitännät ja säätimet.
2. Valitse USB-lähtöön sopiva latausjohto ja sovitin ja liitä akkupakka digitaaliseen laitteeseen.
- ✓ Digitaalisen laitteen akku latautuu akkupakan kautta automaattisesti. Akkupakan akun tilan ilmaisin kertoo akkupakan jäljelle jääneen varaustilan.
3. Latauksen jälkeen irrota kaikki latausjohdot ja sulje laitteen kansi.

## 12 V:n laitteiden käyttäminen



### HUOMAUTUS! Vahingonvaara

Varmista riittävä ilmanvaihto ja huolehdi siitä, että akkupakasta syntyvä lämpö saadaan johdettua riittävän hyvin pois.



**OHJE** 12 V:n laitteen käyttö ei ole mahdollista, jos akkupakan akun varaustila on matala (akun varaustila <5 %).

DC-lähdön latausvirta on 150 W, jolla mobiililaitteet saavat jatkuvaa virtaa.

1. Aseta akkupakka tukevalle ja lämpöä kestäväälle alustalle.
2. Avaa laitteen kansi, jonka alla ovat liitännät ja säätimet.

3. Liitä 12 V:n laitteen virtajohto akkupakan DC-lähtöön.
- ✓ 12 V laitetta saavat automaattisesti virtaa akkupakasta. Akkupakan akun tilan ilmaisimella kertoo akkupakan jäljelle jääneen varaustilan.
4. Käytön jälkeen irrota 12 V:n laitteen virtajohto ja sulje akkupakan kansi.

## 8 Puhdistus ja hoito



### **VAROITUS! Sähköiskun vaara**

Irrota laite virransyötöstä aina ennen puhdistus- ja huoltotoimia.



### **HUOMAUTUS! Vahingonvaara**

- Älä puhdistu laitetta koskaan juoksevan veden alla tai tiskivedessä.
- Älä käytä puhdistukseen teräviä tai kovia esineitä äläkä hankaus- tai valkaisuaineita, koska ne voivat vahingoittaa laitetta.

- > Puhdista laite ajoittain pehmeällä kostealla liinalla.
- > Tarkasta jännitteenalaiset johdot ja johtimet säännöllisesti eristevikojen, katkosten ja liitännöiden löystymisen varalta.

## 9 Varastointi




### **HUOMAUTUS! Vahingonvaara**

- Säilytä akkupakkaa vain, kun se on ladattu täyteen. Lataa säilytyksessä olevaa akkupakkaa säännöllisesti ja käyttämättömänäkin vähintään 3–6 kuukauden välein.
- Huomaa optimaalinen varastointilämpötila; pitkäaikainen varastointi liian kuumassa tai kylmässä voi lyhentää akkupakan käyttöikää ja heikentää sen suorituskykyä.

- > Säilytä akkupakkaa kuivassa, hyvin tuuletetussa tilassa, jossa on se on suojassa pölyltä ja lialta.
- > Tarkasta akkupakan akun tilan säännöllisesti (katso kappale Varaustilan tarkastus sivulla 114).

## 10 Vianetsintä

Häiriö	Mahdollinen syy	Ratkaisuehdotus
Akkupakka ei toimi. Painike  ei reagoi.	Akkupakka on syväpurkautunut.	Lataa akkupakka (katso kappale Akku pakan lataus sivulla 114).
	Jännitteenalaisen johdon eriste on vaurioitunut, johto on murtunut tai pistoke ei ole tiukasti paikallaan.	<ul style="list-style-type: none"> <li>&gt; Tarkasta, onko jännitteenalaisen johdon eristeessä vikaa, onko johto murtunut ja onko pistoke tiukasti paikallaan.</li> <li>&gt; Jos et löydä vikaa, ota yhteyttä valtuutettuun huoltopalveluun.</li> </ul>
	Akkupakan ylivirtasuojia on lauennut.	1. Poista USB-C-, USB-A- ja DC-lähtöjen kuorma.

Häiriö	Mahdollinen syy	Ratkaisuehdotus
	Akkupakan oikosulkusuoja on lauennut.	<ol style="list-style-type: none"> <li>Ota huomioon lähtöjen enimmäiskuormitus (katso kappale Tekniset tiedot sivulla 117), kun liität laitteita uudelleen.</li> <li>Jos lataus ei ala välittömästi laitteiden liittämisen jälkeen, lataa akkupakka sen uudelleenaktivoimiseksi (katso kappale Akkupakan lataus sivulla 114).</li> </ol>

## 11 Hävittäminen



Pakkausmateriaalin kierrätys: Vie pakkausmateriaalit mahdollisuuksien mukaan niille tarkoitettuihin kierrätysjäteastioihin.



Kiinteästi asennettuja akkuja, ladattavia akkuparistoja ja valonlähteitä sisältävien tuotteiden kierrätys:

- Jos tuotteessa on kiinteästi asennettuja akkuja, ladattavia akkuparistoja tai valonlähteitä, niitä ei tarvitse poistaa ennen tuotteen hävittämistä.
- Jos haluat poistaa tuotteen lopullisesti käytöstä, tiedustele yksityiskohtaisia hävittämistä koskevia ohjeita ja määräyksiä lähimmästä kierrätyskeskuksesta tai erikoisliikkeestä.
- Tuotteen voi hävittää veloitusetta.

## 12 Takuu

Tuotetta koskee lakisääteinen tuotevastuuaika. Jos tuote on viallinen, ota yhteyttä valmistajan toimipisteeseen omassa maassasi (ks. [dometic.com/dealer](http://dometic.com/dealer)) tai jälleenmyyjään.

Jos lähetät tuotteen korjattavaksi, liitä korjaus- ja takuukäsittelyä varten mukaan seuraavat asiakirjat:

- Kopio kuitista, jossa näkyy ostopäivä
- Valitusperuste tai vikakuvaus

Huomaa, että itse tai väärin tehty korjaus voi vaarantaa turvallisuuden ja johtaa takuun raukeamiseen.

## 13 Tekniset tiedot

Paristopaketti	
Akun tyyppi	Litiumrautafosfaatti/LiFePO4
Akun nimelliskapasiteetti	15 Ah
Akun nimellisjännite	12,8 V <sub>nom</sub>
USB-A-lähtö	
Lähtöjännite/nimellisvirta	5 V <sub>nom</sub> /2,4 A, 9 V <sub>nom</sub> /2 A, 12 V <sub>nom</sub> /1,5 A
USB-C-lähtö/-tulo	

Latausjännitealue	5 ... 20 V $\overline{=}$
Tulovirta	3 A
<b>DC Output</b>	
Lähtöjännite	12 V $\overline{=}$
Nimellisvirta	15 A
<b>DC-tulo</b>	
Latausjännitealue	12 ... 32 V $\overline{=}$
Suurin tulovirta	5,5 A
<b>LED-valo</b>	
Kylmä valkoinen	
<ul style="list-style-type: none"> <li>• LED-vilkkuvalon tehotiedot</li> <li>• Valovirta</li> </ul>	<p>4,5 W <math>\pm</math> 0,5 W</p> <p>160 lm <math>\pm</math> 10 lm</p>
Neutraali valkoinen	
<ul style="list-style-type: none"> <li>• LED-vilkkuvalon tehotiedot</li> <li>• Valovirta</li> </ul>	<p>2,5 W <math>\pm</math> 0,5 W</p> <p>50 lm <math>\pm</math> 10 lm</p>
<b>Yleiset tekniset tiedot</b>	
Ympäristön lämpötila, käyttö	-10 °C ... 45 °C
Latauslämpötila	0 °C ... 45 °C
Säilytyslämpötila-alue	-20 °C ... 60 °C
Maks. itsepurkautuminen 25 °C °C:n lämpötilassa	5 % per kuukausi
Ympäristön ilmankosteus	$\leq$ 95 %, ei-kondensoiva
Kotelointiluokka	IP 44
Toiminta-aika	2 000 latausjaksoa
Mitat (LxKxS)	85 $\times$ 222 $\times$ 85 mm
Paino	1,8 kg
Tarkastus/sertifikaatit	

## Polski

1	Ważne wskazówki.....	119
2	Objaśnienie symboli.....	119
3	Wskazówki bezpieczeństwa.....	120
4	W zestawie.....	121
5	Użytkowanie zgodne z przeznaczeniem.....	122
6	Opis techniczny.....	122
7	Eksploatacja.....	124
8	Czyszczenie i konserwacja.....	126
9	Przechowywanie.....	127
10	Usuwanie usterek.....	127
11	Utylizacja.....	127
12	Gwarancja.....	128
13	Dane techniczne.....	128

## 1 Ważne wskazówki

Prosimy o uważne przeczytanie niniejszej instrukcji obsługi produktu i przestrzeganie wszystkich zaleceń, wskazówek oraz ostrzeżeń w niej zawartych w celu zapewnienia prawidłowego montażu, użytkowania oraz konserwacji produktu w każdej sytuacji. Niniejsza instrukcja MUSI przez cały czas pozostawać przy produkcie.

Korzystając z produktu, użytkownik potwierdza uważne przeczytanie wszelkich instrukcji, wskazówek i ostrzeżeń, ich zrozumienie oraz zobowiązuje się przestrzegać zawartych w nich warunków. Użytkownik zobowiązuje się wykorzystywać niniejszy produkt wyłącznie zgodnie z jego przeznaczeniem i zamierzonym zastosowaniem oraz z instrukcjami, wskazówkami i ostrzeżeniami wyszczególnionymi w niniejszej instrukcji produktu, jak również ze wszystkimi mającymi zastosowanie przepisami i regulacjami prawnymi. Nieprzestrzeganie zawartych tu instrukcji i ostrzeżeń może skutkować obrażeniami u użytkownika oraz osób trzecich, uszkodzeniem produktu lub też uszkodzeniem mienia w sąsiedztwie produktu. Zastrzega się możliwość wprowadzania zmian i aktualizacji niniejszej instrukcji produktu, wraz z instrukcjami, wskazówkami i ostrzeżeniami oraz powiązaną dokumentacją. Aktualne informacje dotyczące produktu można zawsze znaleźć na stronie [documents.dometic.com](http://documents.dometic.com).

## 2 Objąśnienie symboli



### **OSTRZEŻENIE!**

Wskazuje niebezpieczną sytuację, która – jeśli się jej nie uniknie – może prowadzić do śmierci lub poważnych obrażeń.



### **OSTROŻNIE!**

Wskazuje niebezpieczną sytuację, która – jeśli się jej nie uniknie – może prowadzić do lekkich lub umiarkowanych obrażeń.



### **UWAGA!**

Wskazuje sytuację, która – jeśli się jej nie uniknie – może prowadzić do powstania szkód materialnych.



**WSKAZÓWKA** Dodatkowe informacje dotyczące obsługi produktu.

## 3 Wskazówki bezpieczeństwa

### Podstawowe zasady bezpieczeństwa



#### **OSTRZEŻENIE! Ryzyko porażenia prądem**

- Nie używać urządzenia, jeśli ma ono widoczne uszkodzenia.
- Napraw urządzenia może dokonywać tylko wykwalifikowany personel. Nieodpowiednio wykonane naprawy mogą być przyczyną znacznych zagrożeń.
- Nie rozkładać urządzenia na części.
- Nie dokonywać jakichkolwiek modyfikacji ani nie dostosowywać żadnych elementów.
- Używać wyłącznie akcesoriów i części zamiennych zalecanych przez producenta.
- Nie używać urządzenia w wilgotnych warunkach ani nie zanurzać go w jakiegokolwiek cieczy. Przechowywać w suchym miejscu.
- Zawsze przed przystąpieniem do czyszczenia lub konserwacji oraz po każdym użyciu wyłączyć urządzenie i odłączyć je od zasilania.



#### **OSTRZEŻENIE! Ryzyko obrażeń**

Akumulatory zawierają agresywne oraz żrące kwasy. Należy unikać wszelkiego kontaktu ciała z cieczą znajdującą się w akumulatorze. W przypadku dościsania do kontaktu cieczy znajdującej się w akumulatorze ze skórą, daną część ciała należy dokładnie umyć wodą. W razie obrażeń ciała spowodowanych kwasem należy bezzwłocznie udać się do lekarza.



#### **OSTRZEŻENIE! Zagrożenie zdrowia**

- Nie otwierać i nie uszkodzać akumulatorów ani nie dopuszczać do ich dostania się do środowiska, ponieważ zawierają one toksyczne i szkodliwe dla środowiska metale ciężkie.
- Dzieci od 8 lat i osoby o ograniczonych możliwościach fizycznych, sensorycznych lub intelektualnych oraz osoby niedysponujące stosowną wiedzą i doświadczeniem mogą używać tego urządzenia jedynie pod nadzorem innej osoby bądź pod warunkiem uzyskania informacji dotyczących bezpiecznego użytkowania urządzenia i zrozumienia wynikających z tego zagrożeń.
- **Urządzenia elektryczne nie są zabawkami.** Urządzenie powinno zawsze znajdować się i być użytkowane poza zasięgiem bardzo małych dzieci.
- Należy dopilnować, aby dzieci nie bawiły się urządzeniem.
- Dzieci nie mogą czyścić i konserwować urządzenia bez nadzoru.



#### **UWAGA! Ryzyko uszkodzenia**

- Przed uruchomieniem należy porównać dane dotyczące napięcia na tabliczce znamionowej z dostępnym źródłem zasilania.
- Należy zwrócić uwagę na to, aby inne przedmioty **nie** mogły spowodować zwarcia przy stykach urządzenia.
- **Nigdy** nie dopuszczać do zetknięcia się ze sobą ujemnego i dodatniego bieguna.
- Nie używać przewodów jako uchwytów.

### Bezpieczeństwo podczas eksploatacji urządzenia



#### **OSTROŻNIE! Ryzyko wybuchu**

- **Nie** użytkować urządzenia w następujących warunkach:



w słonym, wilgotnym lub mokrym otoczeniu,  
w sąsiedztwie żrących oparów,  
w pobliżu materiałów palnych,  
w obszarach, w których występuje ryzyko wybuchu gazu lub pyłu.

- Nigdy nie należy podejmować próby ładowania zamrożonego lub wadliwego akumulatora. W takim przypadku należy umieścić zestaw akumulatorowy w miejscu zabezpieczonym przed mrozem i poczekać, aż akumulator dostosuje swoją temperaturę do temperatury otoczenia.
- Nie ustawiać urządzenia w pobliżu źródeł ciepła (ogrzewania, bezpośredniego promieniowania słonecznego, kuchenek gazowych itp.).
- Nie palić, nie używać otwartego ognia ani nie powodować powstawania iskier w pobliżu zestawu akumulatorowego.
- Nie pozostawiać pracującego urządzenia bez nadzoru.



#### **OSTROŻNIE! Ryzyko porażenia prądem**

- Przed uruchomieniem urządzenia należy upewnić się, że przewód zasilania i wtyczka są suche, a wtyczka jest wolna od rdzy i zanieczyszczeń.
- Przed przystąpieniem do prac przy układach elektrycznych należy upewnić się, że w pobliżu znajduje się osoba, która może w nagłym wypadku udzielić pomocy.
- Przewody należy układać tak, by uniknąć ich uszkodzenia przez ostre krawędzie, drzwi lub maskę. Podczas prowadzenia przewodów **nie** należy ich mocno zaginać. Zmiażdżone przewody mogą spowodować poważne obrażenia ciała.
- Nie należy odłączać żadnych przewodów w trakcie pracy urządzenia.



#### **OSTROŻNIE! Ryzyko pożaru**

- Nie upuszczaj ani nie uderzaj urządzenia, a także nie wywieraj na nie nadmiernej siły, ponieważ mogłoby to doprowadzić do uszkodzenia jego zewnętrznych i wewnętrznych części.
- Nie umieszczaj urządzenia w pobliżu materiałów palnych.



#### **OSTROŻNIE! Ryzyko obrażeń**

Podczas ustawiania urządzenia zwracać uwagę na odpowiednie zabezpieczenie wszystkich przewodów, aby uniknąć ryzyka potknięcia się.



#### **UWAGA! Ryzyko uszkodzenia**

- Należy uważać, aby nie zasłaniać wlotów i wylotów powietrza urządzenia.
- Zapewnić dobrą wentylację.
- Urządzenie należy umieścić w suchym miejscu, zabezpieczonym przed bryzgami wody.
- Wtyczki nie wolno nigdy wyciągać z gniazda, ciągnąc za przewód.
- Podczas przechowywania należy luźno zawiązać przewód. Ciasne zawiązanie może spowodować uszkodzenie przewodu i wewnętrznych części.
- Unikać głębokiego rozładowywania urządzenia.

## 4 W zestawie

Liczba	Opis
1	Przenośny zestaw akumulatorowy

Liczba	Opis
1	Przewód do ładowania (USB-C na USB-C)
1	Przewód do ładowania samochodowego (gniazdo zapalniczki na DC5525)
1	Krótka instrukcja obsługi
1	Instrukcja obsługi (wyłącznie cyfrowa)

## 5 Użytkowanie zgodne z przeznaczeniem

Przenośny zestaw akumulatorowy jest przeznaczony do ładowania cyfrowych urządzeń przenośnych (np. telefonów komórkowych, tabletów, laptopów, aparatów fotograficznych itp.) lub zasilania urządzeń 12 V (np. pomp powietrza, łódówek przenośnych i innych urządzeń użytkowanych na zewnątrz), a także do użytku jako latarka.

Przenośny zestaw akumulatorowy nadaje się do użytku na dworze, np. w zastosowaniach turystycznych.

Przenośny zestaw akumulatorowy **nie** nadaje się do:

- Równoległego podłączania wraz z innymi zestawami akumulatorowymi
- Użytku komercyjnego

Niniejszy produkt jest przystosowany wyłącznie do wykorzystywania zgodnie z jego przeznaczeniem oraz zamierzonym zastosowaniem według niniejszej instrukcji.

Niniejsza instrukcja zawiera informacje, które są niezbędne do prawidłowego montażu i/lub obsługi produktu. Nieprawidłowy montaż i/lub niewłaściwa obsługa lub konserwacja powodują niezadawalające działanie i mogą prowadzić do uszkodzeń.

Producent nie ponosi żadnej odpowiedzialności za ewentualne obrażenia lub uszkodzenia produktu wynikłe z następujących przyczyn:

- Nieprawidłowy montaż, złożenie lub podłączenie, w tym zbyt wysokie napięcie
- Niewłaściwa konserwacja lub użycie innych części zamiennych niż oryginalne części zamienne dostarczone przez producenta
- Wprowadzanie zmian w produkcie bez wyraźnej zgody producenta
- Użytkowanie w celach innych niż opisane w niniejszej instrukcji obsługi

Firma Dometic zastrzega sobie prawo do zmiany wyglądu i specyfikacji produktu.

## 6 Opis techniczny

### Opis ogólny

Zestaw akumulatorowy jest wyposażony w akumulator litowo-żelazowo-fosforanowy oraz zintegrowaną latarkę LED.

Za pomocą jednego z dwóch wyjść USB (**2** i **4**, rys. **1** na stronie 123) można ładować cyfrowe urządzenia przenośne. Ponadto urządzenia można używać do zasilania urządzeń 12 V z wykorzystaniem wyjścia DC (przylącze dla adaptera do ładowania samochodowego, **5**, rys. **1** na stronie 123).

Przenośny zestaw akumulatorowy można ładować z wykorzystaniem wejścia USB-C (**2**, rys. **1** na stronie 123) lub wejścia DC (**6**, rys. **1** na stronie 123).

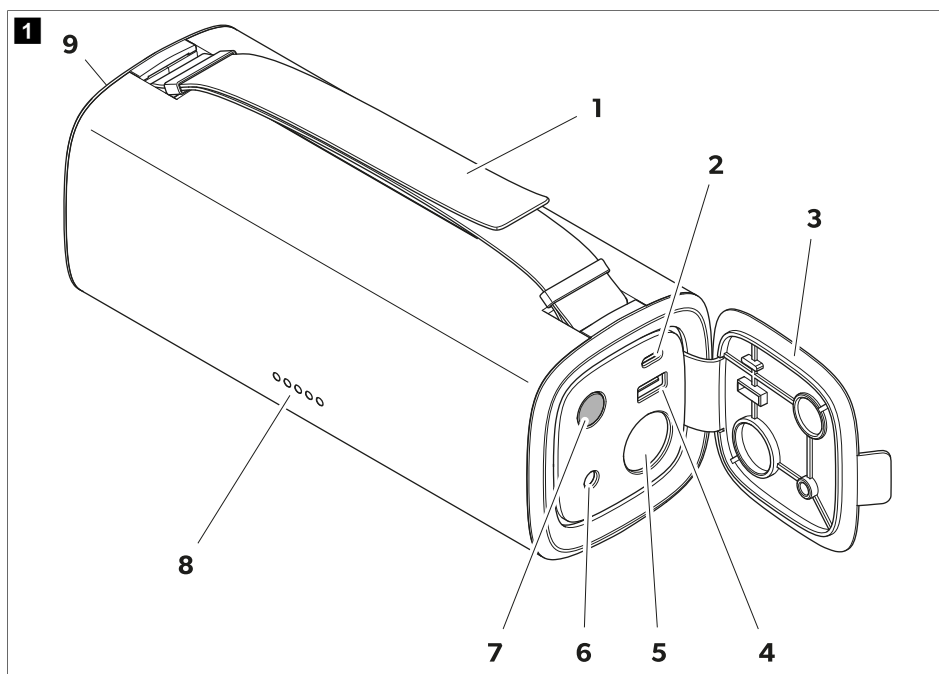
Proces ładowania i bieżący poziom naładowania są wyświetlane na wskaźniku stanu akumulatora (8, rys. 1 na stronie 123). Wskaźnik stanu akumulatora jest aktywowany w momencie, gdy:

- Zestaw akumulatorowy jest ładowany.
- Do zestawu akumulatorowego podłączono odbiornik.
- Włączono latarkę.

Przenośny zestaw akumulatorowy wyposażony jest w następujące zabezpieczenia:

- Zabezpieczenie przed zbyt wysoką i zbyt niską temperaturą
- Zabezpieczenie nadprądowe
- Zabezpieczenie przed nadnapięciem i podnapięciem na wejściach
- Zabezpieczenie przed nadnapięciem na wyjściach
- Zabezpieczenie przeciwzwarciowe
- Zabezpieczenie przed przeładowaniem i głębokim rozładowaniem

## Opis urządzenia



Poz.	Objaśnienie	Poz.	Objaśnienie
1	Regulowany uchwyt do przenoszenia	6	Wejście DC5525 (12 V ... 32 V)
2	Wejście/wyjście USB-C (5 V/3 A, 9 V/3 A, 12 V/3 A, 15 V/3 A, 20 V/3 A)	7	Przycisk włączania/wyłączania
3	Pokrywa urządzenia	8	Wskaźnik LED stanu akumulatora

Poz.	Objaśnienie	Poz.	Objaśnienie
4	Wyjście USB-A (5 V/2,4 A, 9 V/2 A, 12 V/1,5 A)	9	Latarka LED
5	Wyjście DC (12 V/15 A)		

## 7 Eksploatacja



### UWAGA! Ryzyko uszkodzenia

Ładować zestaw akumulatorowy po każdym użyciu.



**WSKAZÓWKA** Możliwe jest równoczesne ładowanie cyfrowych urządzeń przenośnych, zasilanie urządzeń 12 V oraz ładowanie zestawu akumulatorowego.

### Przed pierwszym użyciem

- Przed pierwszym użyciem całkowicie naładować zestaw akumulatorowy (patrz rozdział Ładowanie akumulatorów na stronie 124).

### Ładowanie akumulatorów



### UWAGA! Ryzyko uszkodzenia

- Należy zapewnić wystarczającą wentylację oraz zadbać o to, by ciepło wytwarzane podczas procesu ładowania mogło zostać odprowadzone z zestawu akumulatorowego.
- Upewnić się, że napięcie obwodu otwartego (Voc) akumulatora pojazdu lub modułu solarnego nie przekracza 32 V.

Wymagany czas ładowania zespołu akumulatorowego zależy od wybranego źródła ładowania i wejścia ładowania. Przenośny zestaw akumulatorowy można ładować mocą do 60 W z wykorzystaniem wejścia USB-C oraz do 100 W z wykorzystaniem wejścia DC. W przypadku równoczesnego ładowania z wykorzystaniem wejścia USB-C i wejścia DC moc ładowania może zostać zwiększona do 120 W.

Wejście DC obsługuje zarówno ładowanie z akumulatorów pojazdu, jak i ładowanie solarne.

1. Umieścić zestaw akumulatorowy na stabilnej podstawie odpornej na wysoką temperaturę.
  2. Otworzyć pokrywę urządzenia, aby uzyskać dostęp do złączy i elementów sterujących.
  3. Podłączyć odpowiednie źródło zasilania (np. akumulator pojazdu, panel solarny) do wejścia DC lub wejścia USB-C zestawu akumulatorowego.
- ✓ Wskaźnik stanu akumulatora pokazuje poziom naładowania (patrz rozdział Sprawdzanie poziomu naładowania na stronie 124). Dioda LED kolejnego wyższego poziomu naładowania miga do momentu osiągnięcia poziomu całkowitego naładowania.

Proces ładowania zatrzymuje się automatycznie, gdy zestaw akumulatorowy jest całkowicie naładowany. Wszystkie diody LED wskaźnika stanu akumulatora są zapalone.

4. Po zakończeniu ładowania odłączyć wszystkie przewody do ładowania i zamknąć pokrywę urządzenia.

### Sprawdzanie poziomu naładowania

- Nacisnąć przycisk , aby aktywować lub dezaktywować wskaźnik stanu akumulatora (8. rys. 1 na stronie 123).

**WSKAZÓWKA**

- Jeśli nie podłączono żadnego odbiornika ani źródła ładowania, wskaźnik stanu akumulatora automatycznie się wyłącza.
- Kiedy poziom naładowania spada poniżej 5 %, zaczyna migać dioda LED 1, wskazując niski poziom naładowania akumulatora.

- ✓ Wskaźnik stanu naładowania akumulatora pokazuje poziom naładowania od 0 % (rozładowany) do 100 % (całkowicie naładowany).

Wskaźnik stanu akumulatora					Pojemność akumulatora
LED 1	LED 2	LED 3	LED 4	LED 5	
○	○	○	○	○	0 %
●	○	○	○	○	5 ... 20 %
●	●	○	○	○	21 ... 40 %
●	●	●	○	○	41 ... 60 %
●	●	●	●	○	61 ... 80 %
●	●	●	●	●	81 ... 100 %

**Korzystanie z latarki LED****OSTROŻNIE! Ryzyko obrażeń**

Unikać patrzenia bezpośrednio w latarkę LED, ponieważ może spowodować to uszkodzenie wzroku.



**WSKAZÓWKA** W latarce można ustawić dwie temperatury barwowe: neutralną biel (na poziomie 4300 K) i chłodną biel (na poziomie 6400 K).

1. Otworzyć pokrywę urządzenia, aby uzyskać dostęp do złączy i elementów sterujących.
  2. Nacisnąć przycisk i przytrzymać go przez 3 s, aby wyłączyć lub wyłączyć latarkę.
- ✓ Zapala się wskaźnik stanu akumulatora.
3. Za pomocą przycisku przełączać się między temperaturami barwowymi.



**WSKAZÓWKA** W przypadku podłączenia odbiorników lub źródeł ładowania temperatura chłodnej bieli nie jest dostępna i w latarce automatycznie jest ustawiana neutralna biel.

4. Trzymać latarkę za uchwyt do przenoszenia. Uchwyt do przenoszenia można wyregulować do wymaganej długości.
5. Po użyciu zamknąć pokrywę urządzenia.

**Ładowanie urządzeń cyfrowych przez USB**

Wyjście USB-C ma moc ładowania 60 W, a wyjście USB-A ma moc ładowania 18 W.

**WSKAZÓWKA**

- Ładowanie cyfrowych urządzeń przenośnych nie jest możliwe, jeśli zestaw akumulatorowy ma niski poziom naładowania akumulatora (poziom naładowania < 5 %).
- Równocześnie można ładować dwa cyfrowe urządzenia przenośne z wykorzystaniem obydwu wyjść USB.

1. Otworzyć pokrywę urządzenia, aby uzyskać dostęp do złączy i elementów sterujących.
2. Wybrać przewód do ładowania z odpowiednim adapterem w zależności od tego, które wyjście USB ma być używane, i podłączyć zestaw akumulatorowy do urządzenia cyfrowego.
- ✓ Urządzenie cyfrowe jest automatycznie ładowane za pomocą zestawu akumulatorowego. Wskaźnik stanu akumulatora pokazuje pozostały poziom naładowania zestawu akumulatorowego.
3. Po zakończeniu ładowania odłączyć wszystkie przewody do ładowania i zamknąć pokrywę urządzenia.

**Zasilanie urządzeń 12 V****UWAGA! Ryzyko uszkodzenia**

Należy zapewnić wystarczającą wentylację oraz zadbać o to, by wytwarzane ciepło mogło zostać odprowadzone z zestawu akumulatorowego.



**WSKAZÓWKA** Zasilanie urządzeń 12 V nie jest możliwe, kiedy zestaw akumulatorowy ma niski poziom naładowania akumulatora (poziom naładowania < 5 %).

Wyjście DC zapewnia mobilne zasilanie o mocy ciągłej do 150 W.

1. Umieścić zestaw akumulatorowy na stabilnej podstawie odpornej na wysoką temperaturę.
2. Otworzyć pokrywę urządzenia, aby uzyskać dostęp do złączy i elementów sterujących.
3. Podłączyć przewód zasilania urządzenia 12 V do wyjścia DC zestawu akumulatorowego.
- ✓ Za pośrednictwem zestawu akumulatorowego urządzenie 12 V jest automatycznie zasilane prądem umożliwiającym działanie. Wskaźnik stanu akumulatora pokazuje pozostały poziom naładowania zestawu akumulatorowego.
4. Po użyciu odłączyć przewód zasilania urządzenia 12 V i zamknąć pokrywę urządzenia zestawu akumulatorowego.

**8 Czyszczenie i konserwacja****OSTRZEŻENIE! Ryzyko porażenia prądem**

Za każdym razem przed czyszczeniem i konserwacją odłączyć urządzenie od zasilania.

**UWAGA! Ryzyko uszkodzenia**

- Urządzenia nie wolno nigdy czyścić pod bieżącą wodą ani zamaczać w wodzie.
  - Do czyszczenia nie używać ostrych ani twardych przedmiotów, ściernych środków czyszczących ani wybielacza, gdyż mogą one uszkodzić urządzenie.
- Od czasu do czasu czyścić urządzenie miękką, wilgotną ściereczką.
- Regularnie sprawdzać kable i przewody elektryczne pod kątem uszkodzeń izolacji, przerwania oraz poluzowanych przyłączy.


## 9 Przechowywanie



### UWAGA! Ryzyko uszkodzenia

- Należy przechowywać wyłącznie całkowicie naładowany zestaw akumulatorowy. Ładować przechowywany zestaw akumulatorowy regularnie oraz nie rzadziej niż co 3–6 miesięcy, nawet jeżeli nie jest on używany.
  - Przestrzegać zalecanej optymalnej temperatury przechowywania, ponieważ długotrwałe przechowywanie w zbyt wysokiej lub zbyt niskiej temperaturze może skrócić żywotność i obniżyć wydajność zestawu akumulatorowego.
- > Przechowywać zestaw akumulatorowy w suchym miejscu o dobrej wentylacji, w którym jest on zabezpieczony przed pyłem i zabrudzeniami.
- > Regularnie sprawdzać poziom naładowania zestawu akumulatorowego (patrz rozdział Sprawdzanie poziomu naładowania na stronie 124).

## 10 Usuwanie usterek

Usterka	Możliwa przyczyna	Proponowane rozwiązanie
Zestaw akumulatorowy nie działa. Przycisk  nie reaguje.	Zestaw akumulatorowy jest głęboko rozładowany.	Naładować zestaw akumulatorowy (patrz rozdział Ładowanie akumulatorów na stronie 124).
	Uszkodzenia izolacji, przerwania lub poluzowane przyłącza przewodów elektrycznych.	<ul style="list-style-type: none"> <li>&gt; Sprawdzić przewody zasilające pod kątem uszkodzeń izolacji, przerwania oraz poluzowanych przyłączy.</li> <li>&gt; Jeśli nie można znaleźć usterek, skontaktować się z autoryzowanym centrum serwisowym.</li> </ul>
	Wyzwolone zabezpieczenie nadprądowe zestawu akumulatorowego. Wyzwolone zabezpieczenie przeciwzwarciowe zestawu akumulatorowego.	<ol style="list-style-type: none"> <li>1. Odlączyć odbiorniki od wyjść USB-C, USB-A i DC.</li> <li>2. Przestrzegać maksymalnego obciążenia na wyjściach (patrz rozdział Dane techniczne na stronie 128) przy ponownym podłączeniu urządzeń.</li> <li>3. Jeśli po podłączeniu urządzeń ładowanie natychmiast nie uruchomi się ponownie, naładować zestaw akumulatorowy w celu ponownej aktywacji (patrz rozdział Ładowanie akumulatorów na stronie 124).</li> </ol>

## 11 Utylizacja



Recykling materiałów opakowaniowych: Opakowanie należy wyrzucić do odpowiedniego pojemnika odpadów do recyklingu.



Recykling produktów z niewymiennymi bateriami, akumulatorami lub źródłami światła:

- Jeśli produkt zawiera niewymienne baterie, akumulatory lub źródła światła, nie trzeba ich usuwać przed utylizacją.
- Jeśli produkt nie będzie już dalej wykorzystywany, należy dowiedzieć się w najbliższym zakładzie recyklingu lub od specjalistycznego przedstawiciela producenta, w jaki sposób można zutylizować produkt zgodnie z obowiązującymi przepisami.
- Produkt można zutylizować nieodpłatnie.

## 12 Gwarancja

Obowiązuje ustawowy okres gwarancji. W przypadku stwierdzenia uszkodzenia produktu należy zwrócić się do oddziału producenta w danym kraju (patrz [dometic.com/dealer](http://dometic.com/dealer)) lub do sprzedawcy produktu.

W celu naprawy lub rozpatrzenia gwarancji konieczne jest przesłanie następujących dokumentów:


- Kopii rachunku z datą zakupu
- Informacji o przyczynie reklamacji lub opisu wady

Uwaga: Samodzielne lub nieprofesjonalne wykonywanie napraw może negatywnie wpływać na bezpieczeństwo i prowadzić do utraty gwarancji.

## 13 Dane techniczne

<b>Zestaw akumulatorowy</b>	
Typ akumulatora	Litowo-żelazowo-fosforanowy/LiFePO4
Pojemność znamionowa akumulatora	15 Ah
Napięcie znamionowe akumulatora	12,8 V <sup>---</sup>
<b>Wyjście USB-A</b>	
Napięcie wyjściowe / prąd znamionowy	5 V <sup>---</sup> /2,4 A, 9 V <sup>---</sup> /2 A, 12 V <sup>---</sup> /1,5 A
<b>Wyjście/wejście USB-C</b>	
Zakres napięcia ładowania	5 ... 20 V <sup>---</sup>
Prąd wejściowy	3 A
<b>DC Output</b>	
Napięcie wyjściowe	12 V <sup>---</sup>
Prąd znamionowy	15 A
<b>Wejście DC</b>	
Zakres napięcia ładowania	12 ... 32 V <sup>---</sup>
Maksymalny prąd wejściowy	5,5 A
<b>Latarka LED</b>	
Chłodna biel	
<ul style="list-style-type: none"> <li>• Moc oświetlenia LED</li> <li>• Strumień świetlny w lumenach</li> </ul>	<p>4,5 W ± 0,5 W</p> <p>160 lm ± 10 lm</p>



Neutralna biel	
<ul style="list-style-type: none"> <li>Moc oświetlenia LED</li> <li>Strumień świetlny w lumenach</li> </ul>	<p>2,5 W ± 0,5 W</p> <p>50 lm ± 10 lm</p>
<b>Ogólne dane techniczne</b>	
Temperatura otoczenia przy pracy	-10 °C ... 45 °C
Temperatura ładowania	0 °C ... 45 °C
Zakres temperatury przechowywania	-20 °C ... 60 °C
Maksymalne samorozładowanie przy 25 °C	5 % miesięcznie
Wilgotność powietrza	≤ 95 %, bez kondensacji
Stopień ochrony	IP 44
Żywotność	2000 cykli ładowania
Wymiary (szer. x wys. x głęb.)	85 × 222 × 85 mm
Masa	1,8 kg
Kontrola/certyfikaty	

## Slovensky

1	Dôležité oznámenia.....	130
2	Vysvetlenie symbolov.....	130
3	Bezpečnostné pokyny.....	131
4	Rozsah dodávky.....	132
5	Používanie v súlade s určením.....	133
6	Technický opis.....	133
7	Obsluha.....	134
8	Čistenie a údržba.....	137
9	Skladovanie.....	137
10	Odstraňovanie porúch.....	138
11	Likvidácia.....	138
12	Záruka.....	138
13	Technické údaje.....	139

## 1 Dôležité oznámenia

Dôkladne si prečítajte tento návod a dodržiavajte všetky pokyny, usmernenia a varovania uvedené v tomto návode k výrobku, aby bolo zaručené, že výrobok bude vždy správne nainštalovaný, používaný a udržiavaný. Tento návod MUSÍ zostať priložený k výrobku.

Použitím tohto výrobku týmto potvrdzujete, že ste si dôkladne prečítali všetky pokyny, usmernenia a varovania a že rozumiete a súhlasíte s dodržiavaním všetkých uvedených podmienok. Súhlasíte, že tento výrobok budete používať iba v súlade so zamýšľaným použitím a v súlade s pokynmi, usmerneniami a varovaniami uvedenými v tomto návode k výrobku, ako aj v súlade so všetkými platnými zákonmi a nariadeniami. V prípade, že si neprečítate a nebudete sa riadiť pokynmi a varovaniami uvedenými v tomto návode, môže mať za následok vaše poranenie alebo poranenie iných osôb, poškodenie vášho výrobku alebo poškodenie majetku v jeho blízkosti. Tento návod na obsluhu výrobku vrátane pokynov, usmernení a varovaní, a súvisiaca dokumentácia môže podliehať zmenám a aktualizáciám. Najaktuálnejšie informácie o výrobku nájdete na adrese [document.s.dometic.com](http://document.s.dometic.com).

## 2 Vysvetlenie symbolov



### VÝSTRAHA!

Označuje nebezpečnú situáciu, ktorej následkom môže byť smrť alebo vážne zranenie, ak sa jej nezabráni.



### UPOZORNENIE!

Označuje nebezpečnú situáciu, ktorej následkom môže byť malé alebo stredne ťažké zranenie, ak sa jej nezabráni.



### POZOR!

Označuje situáciu, ktorej následkom môže byť poškodenie majetku, ak sa jej nezabráni.



**POZNÁMKA** Doplnujúce informácie týkajúce sa obsluhy produktu.

## 3 Bezpečnostné pokyny

### Základy bezpečnosti



#### VÝSTRAHA! Nebezpečenstvo úrazu elektrickým prúdom

- Keď zariadenie vykazuje viditeľné poškodenia, nesmiete ho uvádzať do prevádzky.
- Zariadenie smie opravovať len kvalifikovaný personál. Nesprávne opravy môžu zapríčiniť vážne riziká.
- Zariadenie nerozoberajte.
- Žiadnym spôsobom neupravujte ani neprispôbujte žiadne komponenty.
- Používajte výlučne príslušenstvo a náhradné diely odporúčané výrobcom.
- Zariadenie nepoužívajte vo vlhkých podmienkach ani ho neponárajte do žiadnych kvapalín. Skladujte ho na suchom mieste.
- Pred každým čistením alebo údržbou a po každom použití zariadenie vypnite a odpojte od zdroja napájania.



#### VÝSTRAHA! Nebezpečenstvo poranenia

Batérie môžu obsahovať agresívne alebo žieravé kyseliny. Zabráňte akémukoľvek kontaktu tela s kvapalinou batérií. Ak sa vaša pokožka dostane do kontaktu s kyselinou batérie, zasiahnutú časť tela dôkladne umyte vodou. Pri zraneniach spôsobených kyselinou bezpodmienečne vyhľadajte lekára.



#### VÝSTRAHA! Nebezpečenstvo ohrozenia zdravia

- Batérie neotvárajte ani ich nepoškodujte a tiež nedovoľte, aby sa dostali do životného prostredia, pretože obsahujú toxické a ekologicky škodlivé ťažké kovy.
- Toto zariadenie smú používať deti od 8 rokov a osoby so zníženými psychickými, zmyslovými alebo mentálnymi schopnosťami a vedomosťami, keď sú pod dozorom alebo keď boli poučené o bezpečnom používaní zariadenia a chápu, aké riziká z toho vyplývajú.
- **Elektrické zariadenia nie sú detské hračky.** Zariadenie vždy uchovávajte a používajte mimo dosahu veľmi malých detí.
- Dohliadnite na to, aby sa deti nehrali so zariadením.
- Čistenie a bežnú údržbu nesmú vykonávať deti bez dozoru.



#### POZOR! Nebezpečenstvo poškodenia

- Pred uvedením do prevádzky porovnajte, či sa údaje o napätí na typovom štítku zhodujú s existujúcim zdrojom napätia.
- Zabezpečte, aby ostatné objekty **nemohli** spôsobiť skrat na kontaktoch zariadenia.
- Zabezpečte, aby sa červená a čierna svorka **nikdy** vzájomne nedotkli.
- Nepoužívajte káble ako rukoväť.

### Bezpečnosť pri prevádzke zariadenia



#### UPOZORNENIE! Nebezpečenstvo výbuchu

- Zariadenie **neprevádzkujte** v nasledujúcich podmienkach:
  - v slanom, vlhkom alebo mokrom prostredí
  - v blízkosti agresívnych výparov
  - v prostredí so horľavými materiálmi

v priestoroch, v ktorých hrozí nebezpečenstvo výbuchu plynu alebo prachu

- Nikdy sa nepokúšajte nabíjať zamrznuté alebo poškodené akumulátory. Akumulátorovú jednotku umiestnite na miesto, kde nemrzne, a počkajte, kým sa neprispôsobí okolitej teplote.
- Neumiestňujte zariadenie do blízkosti zdrojov tepla (ohrievače, priame slnečné žiarenie, plynové rúry atď.).
- V blízkosti akumulátorovej jednotky nefajčte, nepoužívajte otvorený plameň ani nespôsobujte iskrenie.
- Zariadenie nenechávajte bez dozoru, keď sa používa.



#### **UPOZORNENIE! Nebezpečenstvo úrazu elektrickým prúdom**

- Pred spustením zariadenia skontrolujte, či sú napájací kábel a zástrčka suché a na zástrčke nie sú viditeľné známky korózie alebo nečistoty.
- Pri práci na elektrických systémoch musí byť v blízkosti niekto, kto vám v prípade núdze pomôže.
- Káble uložte tak, aby sa nepoškodili ostrými hranami a okrajmi, dverami alebo kapotou motora. Káble **neukladajte** ostro zalomené. Privreté káble môžu byť príčinou životu nebezpečných poranení.
- Neodpájajte žiadne káble, pokiaľ je zariadenie ešte v prevádzke.



#### **UPOZORNENIE! Nebezpečenstvo požiaru**

- Zariadenie nenechajte padnúť, neudierajte doň ani naň nevyvíjajte nadmernú silu, aby nedošlo k poškodeniu vonkajších a vnútorných častí.
- Zariadenie neumiestňujte do blízkosti horľavých materiálov.



#### **UPOZORNENIE! Nebezpečenstvo poranenia**

Pri umiestňovaní zariadenia skontrolujte, či sú všetky káble vhodne upevnené, aby sa zabránilo akémukoľvek nebezpečenstvu zakopnutia.



#### **POZOR! Nebezpečenstvo poškodenia**

- Zabezpečte, aby vstupy a výstupy vzduchu zariadenia neboli zakryté.
- Zabezpečte dobré vetranie.
- Zariadenie umiestnite na suchom mieste, ktoré je chránené pred striekajúcou vodou.
- Konektor nikdy nevyťahujte zo zásuvky za kábel.
- Pri skladovaní kábel voľne stočte, pevné stiahnutie môže poškodiť kábel a vnútorné časti.
- Zabráňte hlbokému vybitiu zariadenia.

## 4 Rozsah dodávky

Počet	Opis
1	Prenosná akumulátorová jednotka
1	Nabíjací kábel (USB-C do USB-C)
1	Nabíjací kábel do automobilu (koncovka zapalovača cigariet do DC5525)
1	Krátky návod na obsluhu
1	Návod na obsluhu (iba digitálny)

## 5 Používanie v súlade s určením

Prenosná akumulátorová jednotka je určená na nabíjanie digitálnych mobilných zariadení (napr. mobilných telefónov, tabletov, notebookov, fotoaparátov atď.) alebo na prevádzku 12 V zariadení (napr. vzduchových kompresorov, chladiacich boxov a iných vonkajších zariadení) a na použitie ako baterka.

Prenosná akumulátorová jednotka je vhodná na vonkajšie použitie, napr. pri turistike.

Prenosná akumulátorová jednotka **nie je** vhodná na:

- paralelné prepojenie s inými prenosnými akumulátorovými jednotkami,
- komerčné použitie.

Tento výrobok je vhodný iba na určené použitie a použitie v súlade s týmto návodom.

Tento návod obsahuje informácie, ktoré sú nevyhnutné pre správnu inštaláciu a/alebo obsluhu výrobku. Chybná inštalácia a/alebo nesprávna obsluha či údržba bude mať za následok neuspokojivý výkon a možnú poruchu.

Výrobca nenesie žiadnu zodpovednosť za akékoľvek poranenia či škody na výrobku spôsobené:

- nesprávnou inštaláciou alebo pripojením vrátane nadmerného napätia
- nesprávnou údržbou alebo použitím iných ako originálnych náhradných dielov poskytnutých výrobcom
- Zmeny produktu bez výslovného povolenia výrobcu
- Použitie na iné účely než na účely opísané v návode

Firma Dometic si vyhradzuje právo na zmenu vzhľadu a technických parametrov výrobku.

## 6 Technický opis

### Všeobecný opis

Akumulátorová jednotka je vybavená lítium-železofosfátovým akumulátorom a integrovanou LED baterkou.

Digitálne mobilné zariadenia možno nabíjať na jednom z dvoch výstupov USB (**2** a **4**, obr. **1** na strane 134). Okrem toho možno zariadenie použiť na prevádzku 12 V zariadení prostredníctvom výstupu jednosmerného prúdu (pripojenie pre nabíjací adaptér do auta, **5**, obr. **1** na strane 134).

Prenosnú akumulátorovú jednotku možno nabíjať cez vstup USB-C (**2**, obr. **1** na strane 134) alebo vstup DC (**6**, obr. **1** na strane 134).

Proces nabíjania a aktuálny stav nabitia sa zobrazuje na indikátore stavu akumulátora (**8**, obr. **1** na strane 134). Indikátor stavu akumulátora sa aktivuje, keď:

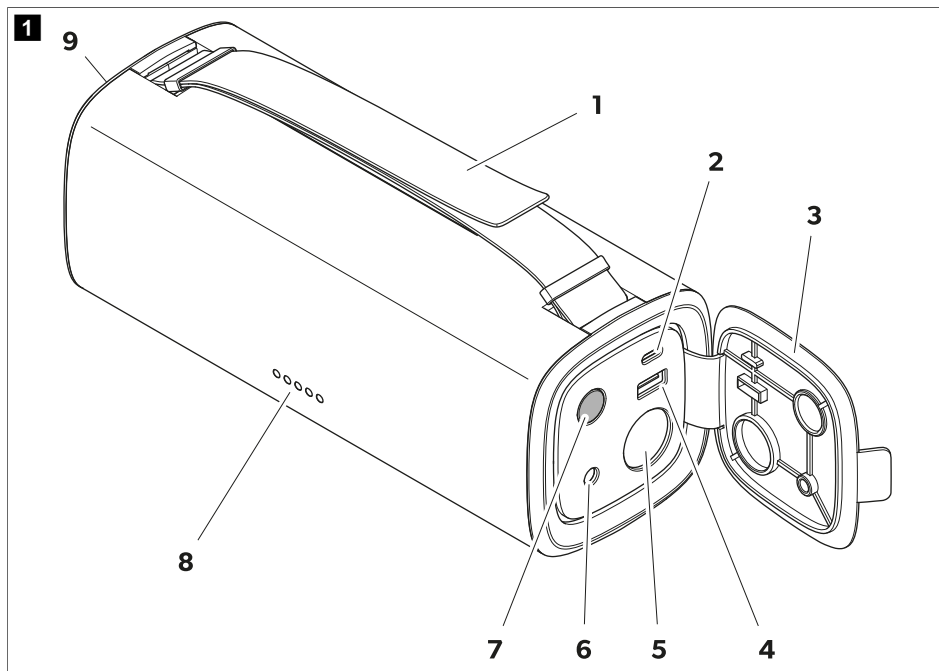
- sa akumulátorová jednotka nabíja,
- je k akumulátorovej jednotke pripojená záťaž,
- je zapnutá baterka.

Prenosná akumulátorová jednotka je vybavená nasledujúcimi ochrannými prvkami:

- Ochrana pred vysokou a nízkou teplotou
- Ochrana proti nadprúdu
- Ochrana pred prepätím a podpätím na vstupoch
- Ochrana pred prepätím na výstupoch

- Ochrana proti skratu
- Ochrana proti prebĳaniu a hlbokému vybitiu

## Opis zariadenia



Č.	Vysvetlenie	Č.	Vysvetlenie
1	Nastaviteľná rukoväť na prenášanie	6	Vstup DC5525(12 V ... 32 V)
2	Vstup/výstup USB-C (5 V/3 A, 9 V/3 A, 12 V/3 A, 15 V/3 A, 20 V/3 A)	7	Tlačidlo zap./vyp.
3	Kryt zariadenia	8	Stavový indikátor LED baterky
4	Výstup USB-A (5 V/2,4 A, 9 V/2 A, 12 V/1,5 A)	9	LED baterka
5	Výstup DC (12 V/15 A)		

## 7 Obsluha



### POZOR! Nebezpečenstvo poškodenia

Po každom použití akumulátorovú jednotku nabite.



**POZNÁMKA** Súčasne je možné nabíjať digitálne mobilné zariadenia, používať 12 V zariadenia a nabíjať akumulátorovú jednotku.

## Pred prvým použitím

- > Pred prvým použitím akumulátorovú jednotku nabite tak, aby bol úplne nabitá (pozrite si kapitolu Nabíjanie a kumulátorovej jednotky na strane 135).

## Nabíjanie akumulátorovej jednotky



### POZOR! Nebezpečenstvo poškodenia

- Zabezpečte dostatočné vetranie a zaistite, aby sa teplo vznikajúce počas nabíjania mohlo z akumulátorovej jednotky odvádzať.
- Napätie otvoreného obvodu (Voc) akumulátora vozidla alebo solárneho modulu nesmie prekročiť 32 V.

Potrebný čas nabíjania akumulátora závisí od zvoleného zdroja nabíjania a nabíjacieho vstupu. Prenosnú akumulátorovú jednotku možno nabíjať až do 60 W cez vstup USB-C alebo až do 100 W cez vstup DC. Pri súčasnom nabíjaní cez vstup USB-C a vstup DC sa nabíjací výkon môže zvýšiť až na 120 W.

Vstup DC podporuje nabíjanie z akumulátorov vozidla aj nabíjanie solárnou energiou.

1. Akumulátorovú jednotku položte na pevnú a tepelne odolnú podložku.
  2. Otvorte kryt zariadenia a získate prístup k pripojeniam a ovládacím prvkom.
  3. Pripojte vhodný zdroj napájania (napr. akumulátor vozidla, solárny panel) k vstupu DC alebo vstupu USB-C akumulátorovej jednotky.
- ✓ Indikátor stavu akumulátora zobrazuje stav nabitia (pozrite si kapitolu Kontrola stavu nabitia na strane 135). Indikátor LED pre ďalšiu vyššiu úroveň nabíjania bliká, kým sa nedosiahne úplná úroveň nabitia.

Nabíjanie sa automaticky zastaví, keď je akumulátor úplne nabitý. Svetlia všetky indikátory LED stavu akumulátora.

4. Po nabíjaní vyberte všetky nabíjacie káble a zatvorte kryt zariadenia.

## Kontrola stavu nabitia

- > Stlačením tlačidla  sa aktivuje a deaktivuje indikátor stavu akumulátora (**8**, obr. **1** na strane 134).



### POZNÁMKA

- Indikátor stavu akumulátora sa automaticky vypne, ak nie je pripojená žiadna záťaž a žiadny nabíjací zdroj.
  - Akonáhle stav nabitia klesne pod 5 %, začne blikáť indikátor LED 1, ktorá signalizuje nízky stav nabitia akumulátora.
- ✓ Indikátor stavu akumulátora signalizuje stav nabitia od 0 % (vybitý) do 100 % (úplne nabitý).

Indikátor stavu akumulátora					Kapacita akumulátora
LED 1	LED 2	LED 3	LED 4	LED 5	
○	○	○	○	○	0 %
●	○	○	○	○	5 ... 20 %
●	●	○	○	○	21 ... 40 %
●	●	●	○	○	41 ... 60 %
●	●	●	●	○	61 ... 80 %

Indikátor stavu akumulátora					Kapacita akumulátora
LED 1	LED 2	LED 3	LED 4	LED 5	
●	●	●	●	●	81 ... 100 %

## Použitie LED baterky





### UPOZORNENIE! Nebezpečenstvo poranenia

Neпоzerajte sa priamo do LED baterky, pretože si môžete poraniť oči.



**POZNÁMKA** Pre baterku sa dajú nastaviť dve farebné teploty: Neutrálna biela (4300 K) a studená biela (6400 K).

1. Otvorte kryt zariadenia a získate prístup k pripojeniam a ovládacím prvkom.
  2. Baterka sa zapína a vypína stlačením a podržaním tlačidla  na 3 s.
- ✓ Indikátor stavu akumulátora svieti.
3. Stlačením tlačidla  sa prepína medzi farebnými teplotami.



**POZNÁMKA** Ak sú pripojené záťaže alebo nabíjacie zdroje, teplota studenej bielej farby nie je k dispozícii a pre baterku sa automaticky nastaví neutrálna biela.

4. Baterku držte za rukoväť na prenášanie. Dá sa nastaviť požadovaná dĺžka rukoväti na prenášanie.
5. Po použití zatvorte kryt zariadenia.

## Nabíjanie digitálnych zariadení cez USB

Výstup USB-C má nabíjací výkon 60 W, výstup USB-A má nabíjací výkon 18 W.



### POZNÁMKA

- Nabíjanie digitálnych mobilných zariadení nie je možné, ak je stav nabitia akumulátorovej jednotky nízky (stav nabitia <5 %).
- Súčasne je možné nabíjať dve mobilné digitálne zariadenia s použitím oboch USB výstupov.

1. Otvorte kryt zariadenia a získate prístup k pripojeniam a ovládacím prvkom.
  2. Vyberte nabíjací kábel s vhodným adaptérom podľa používaného výstupu USB a pripojte akumulátor k digitálnemu zariadeniu.
- ✓ Akumulátorová jednotka automaticky nabíja digitálne zariadenie. Indikátor stavu akumulátora zobrazuje stav zostávajúceho nabitia akumulátora.
3. Po nabíjaní vyberte všetky nabíjacie káble a zatvorte kryt zariadenia.

## Prevádzka 12 V zariadení



### POZOR! Nebezpečenstvo poškodenia

Zabezpečte dostatočné vetranie a zaistíte, aby sa z akumulátorovej jednotky mohlo odvádzat' vznikajúce teplo.





**POZNÁMKA** Prevádzka 12 V zariadení nie je možná, ak je stav nabitia akumulátorovej jednotky nízky (stav nabitia <5 %).

Výstup DC poskytuje mobilné napájanie s nepretržitým výkonom až 150 W.

1. Akumulátorovú jednotku položte na pevnú a tepelne odolnú podložku.
  2. Otvorte kryt zariadenia a získate prístup k pripojeniam a ovládacím prvkom.
  3. Pripojte napájací kábel 12 V zariadenia k výstupu DC akumulátorovej jednotky.
- ✓ 12 V zariadenie sa pri prevádzke automaticky napája prostredníctvom akumulátorovej jednotky. Indikátor stavu akumulátora zobrazuje stav zostávajúceho nabitia akumulátora.
4. Po použití odpojte napájací kábel 12 V zariadenia a zatvorte kryt akumulátorovej jednotky.

## 8 Čistenie a údržba



### **VÝSTRAHA! Nebezpečenstvo úrazu elektrickým prúdom**

Pred každým čistením a údržbou odpojte zariadenie od zdroja napájania.



### **POZOR! Nebezpečenstvo poškodenia**

- Zariadenie nikdy nečistite pod tečúcou vodou alebo dokonca vo vode.
  - Na čistenie nepoužívajte ostré alebo tvrdé predmety, abrazívne čistiace prostriedky alebo bieliadlá, pretože by mohli poškodiť zariadenie.
- > Kameru príležitostne vyčistite mäkkou, navlhčenou utierkou.
- > Pravidelne kontrolujte živé káble alebo vedenia na porušenú izoláciu, zlomenia alebo uvoľnené spoje.

## 9 Skladovanie



### **POZOR! Nebezpečenstvo poškodenia**

- Akumulátorovú jednotku skladujte len úplne nabitú. Uskladnenú akumulátorovú jednotku pravidelne dobíjajte aspoň každých 3 – 6 mesiacov, aj keď sa nepoužíva.
  - Dodržiavajte uvedenú optimálnu teplotu skladovania, pretože dlhodobé skladovanie pri vysokých a nízkych teplotách môže zhoršiť životnosť a výkon akumulátorovej jednotky.
- > Akumulátorovú jednotku skladujte na dobre vetranom a suchom mieste, kde je chránená pred prachom a nečistotami.
- > Pravidelne kontrolujte stav nabitia akumulátorovej jednotky (pozrite si kapitolu Kontrola stavu nabitia na strane 135).

## 10 Odstraňovanie porúch

Porucha	Možná príčina	Návrh riešenia
Prenosná akumulátorová jednotka nefunguje. Tlačidlo (⊕) nereaguje.	Akumulátorová jednotka je hlboko vybitá.	Nabite akumulátorovú jednotku (pozrite si kapitolu Nabíjanie akumulátorovej jednotky na strane 135).
	Porušená izolácia, zlomy alebo uvoľnené spoje na živých kábloch.	<ul style="list-style-type: none"> <li>&gt; Skontrolujte živé káble na porušenú izoláciu, zlomenia alebo uvoľnené spoje.</li> <li>&gt; Ak nevíete nájsť chybu, obráťte sa na autorizovaného servisného technika.</li> </ul>
	Spustená ochrana proti nadprúdu akumulátora. Spustená ochrana proti skratu akumulátora.	<ol style="list-style-type: none"> <li>1. Odstráňte zaťaženie z výstupov USB-C, USB-A a DC.</li> <li>2. Pri opätovnom pripájaní zariadení dodržiavajte maximálne zaťaženie výstupov (pozrite si kapitolu Technické údaje na strane 139).</li> <li>3. Ak sa nabíjanie nespustí okamžite po pripojení zariadení, nabite akumulátor, aby sa znovu aktivoval (pozrite si kapitolu Nabíjanie akumulátorovej jednotky na strane 135).</li> </ol>

## 11 Likvidácia



Recyklácia obalového materiálu: Obalový materiál dávajte podľa možnosti do príslušného recyklovateľného odpadu.



Recyklácia výrobkov s integrovanými batériami, nabíjateľnými batériami alebo svetelnými zdrojmi:

- Ak výrobok obsahuje integrované batérie, nabíjateľné batérie alebo svetelné zdroje, nemusíte ich pred likvidáciou vyberať.
- Keď výrobok chcete definitívne vyradiť z prevádzky, informujte sa v najbližšom recyklačnom stredisku alebo u svojho špecializovaného predajcu o príslušných predpisoch týkajúcich sa likvidácie.
- Výrobok je možné bezplatne zlikvidovať.

## 12 Záruka

Platí zákonom stanovená záručná lehota. Ak je výrobok poškodený, obráťte sa na pobočku výrobcu vo vašej krajine (pozrite si stránku [dometic.com/dealer](http://dometic.com/dealer)) alebo na predajcu.

Ak žiadate o vybavenie opravy alebo nárokov vyplývajúcich zo záruky, musíte priložiť nasledovné podklady:

- kópiu faktúry s dátumom kúpy,
- dôvod reklamácie alebo opis chyby,

Upozorňujeme Vás, že samooprava alebo neodborná oprava môže mať za následok ohrozenie bezpečnosti a zánik záruky.

## 13 Technické údaje

<b>Akumulátorová jednotka</b>	
Typ batérie	Lítium-železo-fosfát/LiFePO4
Menovitá kapacita akumulátora	15 Ah
Menovité napätie akumulátora	12,8 V $\approx$
<b>Výstup USB-A</b>	
Výstupné napätie/menovitý prúd	5 V $\approx$ /2,4 A, 9 V $\approx$ /2 A, 12 V $\approx$ /1,5 A
<b>Výstup/vstup USB-C</b>	
Rozsah nabíjacieho napätia	5 ... 20 V $\approx$
Vstupný prúd	3 A
<b>DC Output</b>	
Výstupné napätie	12 V $\approx$
Menovitý prúd	15 A
<b>Vstup DC</b>	
Rozsah nabíjacieho napätia	12 ... 32 V $\approx$
Maximálny vstupný prúd	5,5 A
<b>LED baterka</b>	
Studená biela	
<ul style="list-style-type: none"> <li>Výkon LED svetla</li> <li>Lumeny</li> </ul>	4,5 W $\pm$ 0,5 W 160 lm $\pm$ 10 lm
Neutrálna biela	
<ul style="list-style-type: none"> <li>Výkon LED svetla</li> <li>Lumeny</li> </ul>	2,5 W $\pm$ 0,5 W 50 lm $\pm$ 10 lm
<b>Všeobecné technické údaje</b>	
Teplota okolia pri prevádzke	-10 °C ... 45 °C
Teplota pri nabíjaní	0 °C ... 45 °C
Teplotný rozsah pri uskladnení	-20 °C ... 60 °C
Maximálna miera samovybíjania pri 25 °C	5 % za mesiac
Vlhkosť vzduchu	$\leq$ 95 %, nekondenzujúca
Typ ochrany	IP 44
Životnosť	2 000 nabíjajúcich cyklov
Rozmery (Š×V×H)	85 × 222 × 85 mm
Hmotnosť	1,8 kg

Test/certifikáty



## Čeština

1	Důležité poznámky.....	141
2	Vysvětlení symbolů.....	141
3	Bezpečnostní pokyny.....	142
4	Obsah dodávky.....	143
5	Určené použití.....	144
6	Technický popis.....	144
7	Použití.....	145
8	Čištění a péče.....	148
9	Skladování.....	148
10	Řešení problémů.....	149
11	Likvidace.....	149
12	Záruka.....	149
13	Technické údaje.....	150

## 1 Důležité poznámky

Pečlivě si prosím přečtěte a dodržujte všechny pokyny, směrnice a varování obsažené v tomto návodu k výrobku, abyste měli jistotu, že výrobek budete vždy správně instalovat, používat a udržívat. Tyto pokyny MUSÍ být uschovány v blízkosti výrobku.

Používáním výrobku tímto potvrzujete, že jste si pečlivě přečetli všechny pokyny, směrnice a varování a že rozumíte podmínkám uvedeným v tomto dokumentu a souhlasíte s nimi. Souhlasíte s používáním tohoto výrobku pouze k určenému účelu a použití a v souladu s pokyny, směrnice a varováními uvedenými v tomto návodu k výrobku a v souladu se všemi příslušnými zákony a předpisy. Pokud si nepřečtete a nebudete dodržovat zde uvedené pokyny a varování, může to vést ke zranění vás i ostatních, poškození vašeho výrobku nebo poškození jiného majetku v okolí. Tento návod k výrobku, včetně pokynů, směrnic a varování a související dokumentace může být předmětem změn a aktualizací. Aktuální informace o výrobku naleznete na adrese [documents.dometic.com](http://documents.dometic.com).

## 2 Vysvětlení symbolů



### VÝSTRAHA!

Označuje nebezpečnou situaci, která, pokud se jí nezabrání, může mít za následek smrt nebo vážné zranění.



### UPOZORNĚNÍ!

Označuje nebezpečnou situaci, která, pokud se jí nezabrání, může mít za následek lehké nebo středně těžké zranění.



### POZOR!

Označuje nebezpečnou situaci, která, pokud se jí nezabrání, může mít za následek majetkové škody.



**POZNÁMKA** Doplnující informace týkající se obsluhy výrobku.

## 3 Bezpečnostní pokyny

### Základní bezpečnost



#### VÝSTRAHA! Nebezpečí usmrcení elektrickým proudem

- V případě, že je přístroj viditelně poškozen, nesmíte ho používat.
- Opravy tohoto zařízení směřjí provádět pouze odborníci. Nesprávné opravy mohou způsobit značné nebezpečí.
- Přístroj nerozebírejte.
- Nijak neupravujte ani nepřízpusobujte žádnou ze součástí.
- Používejte pouze výrobcem doporučené příslušenství a náhradní díly.
- Přístroj nepoužívejte ve vlhkém prostředí ani jej neponořujte do žádné kapaliny. Uchovávejte na suchém místě.
- Před každým čištěním nebo prováděním údržby a po každém použití zařízení vypněte a odpojte jej od zdroje napájení.



#### VÝSTRAHA! Riziko zranění

Baterie mohou obsahovat agresivní a leptavé kyseliny. Zabraňte jakémukoliv tělesnému kontaktu s kapalinou z baterie. Potřísnete-li si kůži kapalinou z baterie, příslušnou část těla si důkladně omyjte vodou. Při úrazu způsobeném kyselinou ihned vyhledejte lékaře.



#### VÝSTRAHA! Nebezpečí ohrožení zdraví

- Baterie neotvírejte, nepoškozujte a nedovolte, aby kontaminovaly životní prostředí, protože obsahují toxické a pro životní prostředí škodlivé těžké kovy.
- Tento přístroj mohou používat děti od 8 let a osoby se sníženými fyzickými, smyslovými nebo duševními schopnostmi nebo s nedostatečnými zkušenostmi a znalostmi, pokud jsou pod dohledem nebo obdržely pokyny týkající se používání přístroje bezpečným způsobem a porozuměly souvisejícím nebezpečím.
- **Elektrické přístroje nejsou hračky pro děti!** Výrobek vždy ukládejte a používejte mimo dosah velmi malých dětí.
- Děti musejí být pod dohledem tak, aby si se zařízením nehrály.
- Čištění a běžnou údržbu nesmějí provádět děti bez dozoru.



#### POZOR! Nebezpečí poškození

- Před uvedením do provozu porovnejte údaj o napětí na typovém štítku se stávajícím zdrojem napájení.
- Zajistěte, aby jiné předměty **nemohly** způsobit zkrat kontaktů přístroje.
- Dávejte pozor, aby **nikdy** nedošlo ke vzájemnému kontaktu záporného a kladného pólu.
- Nepoužívejte kabel jako rukojeť.

### Bezpečné použití spotřebiče



#### UPOZORNĚNÍ! Nebezpečí výbuchu

- Zařízení **nepoužívejte** za následujících podmínek:
  - slané, vlhké nebo mokré prostředí,
  - blízkost agresivních výparů,

blízkost hořlavých materiálů,  
prostředí s nebezpečím výbuchu plynu nebo prachu.

- Nikdy se nepokoušejte nabíjet zmrzlou nebo vadnou baterii. V tomto případě umístíte akumulátor na místo chráněné před mrazem a vyčkejte, dokud se baterie nepřizpůsobí okolní teplotě.
- Zařízení neumísťujte do blízkosti zdrojů tepla (topných těles, přímého slunečního záření, plynových sporáků apod.).
- V blízkosti akumulátoru nekuřte, nepoužívejte otevřený oheň ani nezpůsobujte jiskření.
- Když se přístroj používá, nenechávejte jej bez dozoru.



#### **UPOZORNĚNÍ! Nebezpečí usmrcení elektrickým proudem**

- Před spuštěním zařízení se ujistěte, že jsou napájecí kabel a zástrčka suché a že zástrčka není rezavá nebo znečištěná.
- Při práci na elektrických zařízeních zajistěte, aby byla na blízkou další osoba, která vám může v případě nouze pomoci.
- Instalujte kabely tak, aby nemohly být poškozeny ostrými hranami, dveřmi nebo kapotou. **Neved'te** žádný kabel tak, aby byl silně zalomený. Přivřené kabely mohou mít za následek životu nebezpečné úrazy.
- Neodpojujte žádné kabely, dokud je přístroj ještě v provozu.



#### **UPOZORNĚNÍ! Nebezpečí požáru**

- Aby nedošlo k poškození vnějších ani vnitřních částí, chraňte přístroj před upuštěním, nárazy nebo působením nadměrných sil.
- Zařízení nesmíte instalovat v prostředí s hořlavými materiály.



#### **UPOZORNĚNÍ! Riziko zranění**

Při umísťování zařízení se ujistěte, že všechny kabely jsou řádně zajištěny, aby se předešlo jakémukoli nebezpečí zakopnutí.



#### **POZOR! Nebezpečí poškození**

- Dbejte na to, aby nedošlo k zakrytí vstupů a výstupů vzduchu přístroje.
- Zajistěte dobrou ventilaci.
- Umístěte přístroj na suchém místě chráněném před stříkající vodou.
- Nikdy nevytahujte zástrčku ze zásuvky tahem za kabel.
- Při skladování kabel volně omotejte, těsné omotání může poškodit kabel a vnitřní části.
- Vyvarujte se hlubokého vybití zařízení.

## 4 Obsah dodávky

Množství	Popis
1	Přenosný akumulátor
1	Napájecí kabel (USB-C na USB-C)
1	Napájecí kabel do auta (port zapalovače cigaret na DC5525)
1	Stručný návod k obsluze

Množství	Popis
1	Návod k obsluze (pouze v digitální podobě)

## 5 Určené použití

Přenosný akumulátor je určen pro nabíjení digitálních mobilních zařízení (např. mobilních telefonů, tabletů, notebooků, fotoaparátů apod.) nebo k provozu 12 V zařízení (např. Vzduchových pump, chladících boxů a dalšího venkovního vybavení) a lze jej použít jako svítilnu.

Přenosný akumulátor je vhodný k venkovnímu použití, např. při cestování.

Přenosný akumulátor se **nehodí** pro:

- Paralelní zapojení s dalšími přenosnými akumulátory
- Komerční použití

Tento výrobek je vhodný pouze k určenému účelu a použití v souladu s těmito pokyny.

Tento návod obsahuje informace, které jsou nezbytné k řádné instalaci a/nebo použití výrobku. Nesprávná instalace a/nebo nevhodné použití či údržba povedou k neuspokojivému výkonu a možné závadě.

Výrobce nepřijímá žádnou odpovědnost za jakékoli zranění nebo poškození výrobku vyplývající z následujícího:

- Nesprávné instalace, sestavení nebo připojení včetně nadměrného napětí
- Nesprávná údržba nebo použití jiných náhradních dílů než originálních dílů dodaných výrobcem
- Úpravy výrobku bez výslovného souhlasu výrobce
- Použití k jiným účelům, než jsou popsány v tomto návodu

Společnost Dometic si vyhrazuje právo změnit vzhled a specifikace výrobku.

## 6 Technický popis

### Obecný popis

Akumulátor je vybaven lithium-železo-fosfátovou baterií a vestavěnou LED svítilnou.

Dva výstupy USB (**2** a **4**, obr. **1** na stránce 145) umožňují nabíjení digitálních mobilních zařízení. Kromě toho může být zařízení použito k provozu 12 V zařízení prostřednictvím výstupu DC (připojení pro napájecí adaptér do auta **5**, obr. **1** na stránce 145).

Přenosný akumulátor lze nabíjet přes vstup USB-C (**2**, obr. **1** na stránce 145) nebo vstup DC (**6**, obr. **1** na stránce 145).

Proces nabíjení a aktuální stav nabití jsou zobrazeny indikátorem stavu baterie (**8**, obr. **1** na stránce 145). Indikátor stavu baterie se aktivuje, jakmile:

- je akumulátor připojen ke zdroji napájení;
- je k akumulátoru připojeno zatížení;
- je zapnuta svítilna.

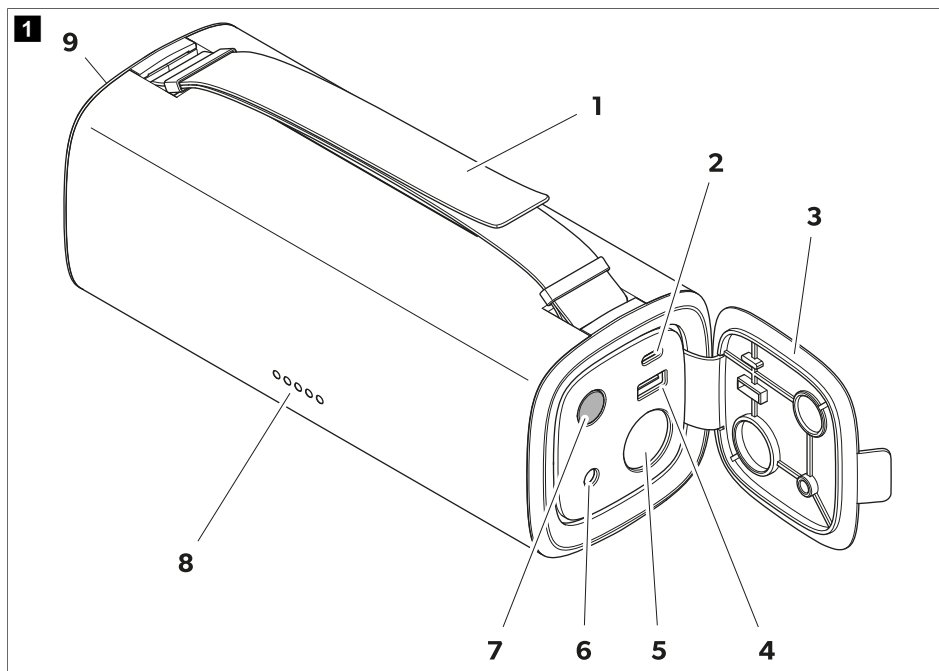
Přenosný akumulátor má následující ochranné mechanismy:

- ochranou proti vysokým a nízkým teplotám,



- nadproudová ochrana,
- Ochrana proti přepětí a podpětí na vstupech
- Ochrana proti přepětí na výstupech
- Ochrana proti zkratu
- Ochrana proti přebití a hlubokému vybití

## Popis přístroje



Č.	Vysvětlení	Č.	Vysvětlení
1	Nastavitelná rukojeť pro přenášení	6	Vstup DC5525 (12 V ... 32 V)
2	Vstup/výstup USB-C (5 V/3 A, 9 V/3 A, 12 V/3 A, 15 V/3 A, 20 V/3 A)	7	Tlačítko zap/vyp
3	Víko zařízení	8	Indikátor stavu LED baterie
4	Výstup USB-A (5 V/2,4 A, 9 V/2 A, 12 V/1,5 A)	9	LED svítilna
5	Výstup DC (12 V/15 A)		

## 7 Použití



### POZOR! Nebezpečí poškození

Nabíjte akumulátor po každém použití.



**POZNÁMKA** Během nabíjení akumulátoru lze nabíjet i digitální mobilní zařízení a 12 V zařízení.

## Před prvním použitím

- > Nabijte akumulátor před prvním použitím do úplného nabití (viz kapitola Nabíjení akumulátoru na stránce 146).

## Nabíjení akumulátoru



### POZOR! Nebezpečí poškození

- Zajistěte dostatečnou ventilaci a umožněte rozptýlení tepla vytvořeného procesem nabíjení akumulátoru.
- Zajistěte, aby napětí otevřeného obvodu baterie vozidla nebo solárního modulu nepřesáhlo 32 V.

Požadovaný čas nabití akumulátoru závisí na vybraném zdroji napájení a vstupu nabíjení. Přenosný akumulátor lze nabít na 60 W přes vstup USB-C nebo na 100 W přes vstup DC. Při současném nabíjení přes vstup USB-C a DC lze výkon nabíjení zvýšit na 120 W.

Vstup DC podporuje nabíjení přes baterie vozidla i pomocí solární energie.

1. Umístěte akumulátor na pevnou a tepluvzdornou základnu.
  2. Otevřete víko zařízení, abyste měli přístup k připojením a ovládacím prvkům.
  3. Připojte vhodný zdroj napájení (např. baterii vozidla nebo solární panel) ke vstupu DC nebo vstupu USB-C akumulátoru.
- ✓ Indikátor stavu baterie ukazuje stav nabití (viz kapitola Kontrola stavu nabití na stránce 146). LED kontrolka pro následující úroveň nabití bude blikat, dokud baterie nebude plně nabitá.

Proces nabíjení se automaticky zastaví, když je akumulátor plně nabitý. Všechny LED kontrolky indikátoru stavu baterie se rozsvítí.

4. Po dobití odpojte všechny nabíjecí kabely a zavřete víko zařízení.

## Kontrola stavu nabití

- > Stisknutím tlačítka aktivujete nebo deaktivujete indikátor stavu baterie (8, obr. 1 na stránce 145).



### POZNÁMKA

- Indikátor stavu baterie se automaticky vypne, když nejsou připojena žádná zařízení nebo zdroj napájení.
- Jakmile stav nabití klesne pod 5 %, začne LED kontrolka 1 blikat, aby upozornila na nízký stav baterie.

- ✓ Indikátor stavu zařízení ukazuje stav nabití mezi 0 % (vybito) a 100 % (plně nabitto).

Indikátor stavu baterie					Kapacita baterie
LED 1	LED 2	LED 3	LED 4	LED 5	
○	○	○	○	○	0 %
●	○	○	○	○	5 ... 20 %
●	●	○	○	○	21 ... 40 %

Indikátor stavu baterie					Kapacita baterie
LED 1	LED 2	LED 3	LED 4	LED 5	
●	●	●	○	○	41 ... 60 %
●	●	●	●	○	61 ... 80 %
●	●	●	●	●	81 ... 100 %

## Použití LED svítilny


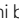


### UPOZORNĚNÍ! Riziko zranění

Nedívejte se přímo do LED svítilny, protože by mohlo dojít k poškození vašeho zraku.



**POZNÁMKA** U svítilny lze nastavit 2 teploty barev: Neutrální bílá (4300 K) a chladná bílá (6400 K).

1. Otevřete víko zařízení, abyste měli přístup k připojením a ovládacím prvkům.
2. Stisknutím a podržením tlačítka  po dobu 3 s můžete svítilnu zapnout nebo vypnout.
- ✓ Indikátor stavu baterie se rozsvítí.
3. Stisknutím tlačítka  přepnete mezi teplotami barev.



**POZNÁMKA** Pokud nejsou připojena žádná zařízení ani zdroje napájení, chladná bílá není k dispozici a svítlna se automaticky nastaví na neutrální bílou.

4. Držte svítilnu za rukojeť. Rukojeť lze nastavit na požadovanou délku.
5. Po skončení používání zavřete víko zařízení.

## Nabíjení digitálních zařízení přes USB

Výstup USB-C má nabíjecí výkon 60 W, zatímco výstup USB-A má nabíjecí výkon 18 W.



### POZNÁMKA

- Nabíjení digitálních mobilních zařízení není možné, pokud je akumulátor ve stavu nízké baterie (stav nabití < 5 %).
- Pomocí dvojice USB výstupů lze nabít dvě mobilní zařízení najednou.

1. Otevřete víko zařízení, abyste měli přístup k připojením a ovládacím prvkům.
2. V závislosti na používaném výstupu USB zvolte nabíjecí kabel s vhodným adaptérem a připojte akumulátor k digitálnímu zařízení.
- ✓ Digitální zařízení se z akumulátoru začne automaticky nabíjet. Indikátor stavu baterie ukazuje zbývajícím stavu nabití akumulátoru.
3. Po dobití odpojte všechny nabíjecí kabely a zavřete víko zařízení.

## Napájení 12 V zařízení



### **POZOR! Nebezpečí poškození**

Zajistěte dostatečnou ventilaci a umožněte rozptýlení tepla z akumulátoru.



**POZNÁMKA** Provoz 12 V zařízení není možný, jakmile se akumulátor ocitne ve stavu nízké baterie (stav nabití < 5 %).

Výstup DC poskytuje mobilní zdroj napájení s nepřetržitým výkonem až 150 W.

1. Umístěte akumulátor na pevnou a tepluvzdornou základnu.
  2. Otevřete víko zařízení, abyste měli přístup k připojením a ovládacím prvkům.
  3. Připojte napájecí kabel 12 V zařízení do výstupu DC akumulátoru.
- ✓ 12 V zařízení bude automaticky napájeno přes akumulátor. Indikátor stavu baterie ukazuje zbývajícím stav nabití akumulátoru.
4. Po skončení používání odpojte kabel napájení 12 V zařízení a zavřete víko zařízení akumulátoru.

## 8 Čištění a péče



### **VÝSTRAHA! Nebezpečí usmrcení elektrickým proudem**

Před každým čištěním a prováděním údržby odpojte přístroj od elektrického napájení.



### **POZOR! Nebezpečí poškození**

- Nikdy nečistěte přístroj pod tekoucí vodou nebo ve vodní lázni.
  - K čištění nepoužívejte žádné ostré nebo tvrdé předměty, čisticí píský nebo bělidlo, protože mohou přístroj poškodit.
- > Příležitostně přístroj vyčistěte měkkou zvlhčenou utěrkou.
- > Pravidelně kontrolujte kabely nebo vodiče pod napětím, zda na nich není patrné poškození izolace, nejsou namožené nebo se neuvolnilo jejich připojení.

## 9 Skladování



### **POZOR! Nebezpečí poškození**

- Akumulátor skladujte jen ve stavu plného nabití. Uložený akumulátor pravidelně nabíjejte a nejméně jednou za 3 až 6 měsíců, i když ji nepoužíváte.
  - Dodržujte uvedenou optimální skladovací teplotu, protože dlouhodobé skladování při vysokých a nízkých teplotách může negativně ovlivnit životnost a provozuschopnost akumulátoru.
- > Akumulátor skladujte na dobře ventilovaném a suchém místě, kde je chráněn před prachem a nečistotami.
- > Pravidelně kontrolujte stav nabití akumulátoru (viz kapitola Kontrola stavu nabití na stránce 146).

## 10 Řešení problémů

Porucha	Možná příčina	Návrh řešení
Akumulátor nefunguje. Zařízení nereaguje na stisknutí tlačítka (⊕).	Akumulátor je hluboce vybitý.	Nabijte akumulátor (viz kapitola Nabíje ní akumulátoru na stránce 146).
	Vadná izolace, přerušené nebo uvolněné připojení kabelů pod napětím.	<ul style="list-style-type: none"> <li>&gt; Pravidelně kontrolujte kabely pod napětím, zda na nich není patrné poškození izolace, zda nejsou nalomené nebo se uvolnilo jejich připojení.</li> <li>&gt; Pokud nemůžete chybu najít, obraťte se na autorizovaného servisního zástupce.</li> </ul>
	Byla spuštěna nadproudová ochrana akumulátoru. Byla spuštěna ochrana proti zkratu akumulátoru.	<ol style="list-style-type: none"> <li>1. Odpojte zatížení z výstupů USB-C, USB-A a DC.</li> <li>2. Při opětovném zapojení zařízení dodržujte maximální zatížení výstupů (viz kapitola Technické údaje na stránce 150).</li> <li>3. Pokud se nabíjení nerestartuje okamžitě po připojení zařízení, nabijte akumulátor, abyste jej znovu aktivovali (viz kapitola Nabíjení akumulátoru na stránce 146).</li> </ol>

## 11 Likvidace



Recyklace obalového materiálu: Kdekoli je to možné, tříděte obalový materiál do příslušných kontejnerů.



Recyklace výrobků s nevyměnitelnými bateriemi, dobíjecími bateriemi nebo světelnými zdroji:

- Pokud výrobek obsahuje nevyměnitelné baterie, dobíjecí baterie nebo světelné zdroje, nemusíte je před likvidací odstraňovat.
- Pokud budete chtít výrobek definitivně zlikvidovat, informace o příslušném postupu v souladu s platnými předpisy pro likvidaci vám sdělí místní recyklační středisko nebo specializovaný prodejce.
- Výrobek lze zlikvidovat bezplatně.

## 12 Záruka

Na výrobek je poskytována záruka v souladu s platnými zákony. Pokud je výrobek vadný, kontaktujte pobočku výrobce ve vaší zemi nebo svého prodejce (viz [dometic.com/dealer](http://dometic.com/dealer)).

K vyřízení opravy nebo záruky nezapomeňte odeslat následující dokumenty:

- kopii účtenky s datem zakoupení,
- uvedení důvodu reklamace nebo popis vady.

Upozorňujeme, že oprava svépomocí nebo neodborná oprava může ohrozit bezpečnost a vést ke ztrátě záruky.

## 13 Technické údaje

<b>Akumulátor</b>	
Typ baterie	Lithium-železo-fosfátová/LiFePO4
Jmenovitá kapacita baterie	15 Ah
Jmenovité napětí baterie	12,8 V <sup>===</sup>
<b>Výstup USB-A</b>	
Výstupní napětí / jmenovitý proud	5 V <sup>===</sup> /2,4 A, 9 V <sup>===</sup> /2 A, 12 V <sup>===</sup> /1,5 A
<b>Výstup/vstup USB-C</b>	
Rozsah nabíjecího napětí	5 ... 20 V <sup>===</sup>
Vstupní proud	3 A
<b>Výstup DC</b>	
Výstupní napětí	12 V <sup>===</sup>
Jmenovitý proud	15 A
<b>DC vstup</b>	
Rozsah nabíjecího napětí	12 ... 32 V <sup>===</sup>
Maximální vstupní proud	5,5 A
<b>LED svítidla</b>	
Chladná bílá	
<ul style="list-style-type: none"> <li>Výkon LED osvětlení</li> <li>Světelný tok</li> </ul>	4,5 W ± 0,5 W 160 lm ± 10 lm
Neutrální bílá	
<ul style="list-style-type: none"> <li>Výkon LED osvětlení</li> <li>Světelný tok</li> </ul>	2,5 W ± 0,5 W 50 lm ± 10 lm
<b>Všeobecné technické údaje</b>	
Okolní teplota za provozu	-10 °C ... 45 °C
Teplota při nabíjení	0 °C ... 45 °C
Teplotní rozsah pro skladování	-20 °C ... 60 °C
Maximální rychlost samovybití při 25 °C	5 % za měsíc
Okolní vlhkost	≤ 95 %, nekondenzující
Typ ochrany	IP 44
Doba životnosti	2 000 nabíjecích cyklů
Rozměry (ŠxVxH)	85 × 222 × 85 mm
Hmotnost	1,8 kg

Zkoušky/certifikáty



## Magyar

1	Fontos információk.....	152
2	Szimbólumok magyarázata.....	152
3	Biztonsági útmutatások.....	153
4	A csomag tartalma.....	154
5	Rendeltetésszerű használat.....	155
6	Műszaki leírás.....	155
7	Üzemeltetés.....	156
8	Tisztítás és karbantartás.....	159
9	Tárolás.....	159
10	Hibakeresés.....	160
11	Ártalmatlanítás.....	160
12	Szavatosság.....	160
13	Műszaki adatok.....	161

## 1 Fontos információk

A termék mindenkoriszakszerű telepítése, használata és karbantartása érdekében kérjük figyelmesen olvassa el az ebben a termék kézikönyvben található utasításokat, irányelveket és figyelmeztetéseket, valamint mindig tartsa be ezeket. Ezt az útmutatót a termék közelében KELL tartani.

A termék használatba vételével Ön kijelenti hogy figyelmesen elolvasta az összes utasítást, irányelvet és figyelmeztetést, valamint megértette és elfogadja az itt leírt szerződési feltételeket. Ön elfogadja, hogy kizárólag a rendeltetésének megfelelő célra és a jelen termék kézikönyvben leírt útmutatásoknak, irányelveknek és figyelmeztetéseknek, valamint a hatályos törvényeknek és szabályozásoknak megfelelően használja ezt a terméket. Az itt leírt utasítások és figyelmeztetések elolvasásának és betartásának elmulasztása saját és mások sérüléséhez, a termék vagy a közelben található más anyagi javak károsodásához vezethet. Ez a termék kézikönyv és a benne található utasítások, irányelvek és figyelmeztetések, valamint a kapcsolódó dokumentációk módosulhatnak és frissülhetnek. Naprakész termékinformációkért látogasson el a következő honlapra: [documents.dometic.com](http://documents.dometic.com).

## 2 Szimbólumok magyarázata



### FIGYELMEZTETÉS!

Veszélyes helyzetet jelöl, amely súlyos sérülést vagy halált okozhat, ha nem kerülik el.



### VIGYÁZAT!

Veszélyes helyzetet jelöl, amely könnyű vagy mérsékelt sérülést okozhat, ha nem kerülik el.



### FIGYELEM!

Olyan helyzetet jelöl, amely vagyoni kárt okozhat, ha nem kerülik el.



**MEGJEGYZÉS** A termék kezelésére vonatkozó kiegészítő információk.



## 3 Biztonsági útmutatások

### Alapvető biztonság



#### FIGYELMEZTETÉS! Áramütés miatti veszély

- Ha a készüléken látható sérülések vannak, akkor a készüléket nem szabad üzembe helyezni.
- A készüléken csak szakember végezhet javítást. A helytelen javítások jelentős veszélyeket okozhatnak.
- Ne szerelje szét a készüléket.
- Semmilyen módon nem módosítsa, vagy ne változtassa meg egyik komponenst sem.
- Kizárólag a gyártó által engedélyezett tartozékokat és cserealkatrészeket használja.
- Ne használja a készüléket nedves körülmények között, és ne merítse bele semmilyen folyadékba. Száraz helyen tárolja.
- Minden tisztítás vagy karbantartás előtt és minden használat után kapcsolja ki a készüléket, és válassa le a tápegységről.



#### FIGYELMEZTETÉS! Sérülés kockázata

Az akkumulátorok agresszív és maró savakat tartalmaznak. Kerülje az akkumulátorfolyadékkal történő bármilyen testi kontaktust. Az akkumulátorfolyadék bőrre kerülése esetén bő vízzel alaposan mossa le a bőrt. Savak által okozott sérülések esetén feltétlenül menjen orvoshoz.



#### FIGYELMEZTETÉS! Egészségkárosodás veszélye

- Ne nyissa fel vagy rongálja meg az akkumulátorokat, és ne engedje, hogy azok a környezetbe kerüljenek, mivel mérgező és környezetkárosító nehézfémeket tartalmaznak.
- A készüléket 8 év feletti gyermekek, valamint korlátozott fizikai, érzékszervi és mentális képességű, illetve megfelelő tapasztalattal és tudással nem rendelkező személyek csak felügyelet mellett, illetve a készülék biztonságos használatát és az abból eredő veszélyeket megértve használhatják.
- **Az elektromos berendezések nem játékszerek.** Úgy tárolja és használja a készüléket, hogy a kisgyermekek ne férhessenek hozzá.
- A gyermekeket felügyelni kell annak érdekében, hogy ne játsszanak a készülékkel.
- A tisztítást és a felhasználói karbantartást felügyelet nélküli gyermekek nem végezhetik.



#### FIGYELEM! Károsodás veszélye

- Üzembe helyezés előtt hasonlítsa össze a feszültségadatokat az adattáblán a meglévő energiaellátással.
- Ügyeljen arra, hogy más tárgyak **ne** okozhassanak rövidzárlatot a készülék érintkezőinél.
- Ügyeljen arra, hogy a negatív és pozitív pólusok **soha ne** érintkezzenek egymással.
- Ne használja a kábeleket fogantyúként.

### Biztonság a készülék üzemeltetése során



#### VIGYÁZAT! Robbanásveszély

- Az alábbi körülmények között **ne** üzemeltesse a készüléket:  
sótartalmú, nedves vagy vizes környezetben  
korrozív hatású gőzök közelében  
éghető anyagok közelében

Olyan területeken, ahol gáz-, vagy porrobbanás történhet.

- Fagyott vagy meghibásodott akkumulátort nem próbáljon meg feltölteni. Ilyen esetben a töltőállomást fagymentes helyen helyezze el, és várjon addig, amíg az át nem vette a környezeti hőmérsékletet.
- Ne helyezze a készüléket hőforrások közelébe (fűtés, erős napsugárzás, gázkazán, stb.).
- Ne dohányozzon, ne használjon nyílt lángot, vagy ne okozzon szikrát a töltőállomás közelében.
- Használat közben soha ne hagyja felügyelet nélkül a készüléket.



#### **VIGYÁZAT! Áramütés miatti veszély**

- A készülék bekapcsolása előtt győződjön meg arról, hogy a tápkábel és a dugasz száraz, nem rozsdás és nincsenek rajta szennyeződések.
- Amikor elektromos rendszereken dolgozik, biztosítsa, hogy legyen valaki a közelben, aki vész helyzetben segítséget nyújthat.
- A vezetékeket úgy vezesse, hogy azokat éles peremek, ajtók vagy motorháztető ne sérthessék meg. **Ne** vezesse a kábelt élesen megtörve. Becsipódott kábelek életveszélyes sérüléseket okozhatnak.
- Ne oldjon le kábeleket, ha a készülék még üzemel.



#### **VIGYÁZAT! Tűzveszély**

- A külső és belső alkatrészek sérülésének elkerülése érdekében ne ejtse le, ne üsse meg, és ne fejtse ki túlzott erőt a készülékre.
- A készüléket tilos tűzveszélyes anyagok közelében használni.



#### **VIGYÁZAT! Sérülés kockázata**

A készülék elhelyezésekor a botlásveszély minden formájának elkerülése érdekében gondoskodjon a kábelek megfelelő rögzítéséről.



#### **FIGYELEM! Károsodás veszélye**

- Ügyeljen arra, hogy a készülék levegőbevezető és kivezető nyílásai ne legyenek elfedve.
- Gondoskodjon a megfelelő szellőzésről.
- A készüléket száraz és fröccsenő víz ellen védett helyen állítsa fel.
- Soha ne húzza ki a csatlakozódugót a kábelnél fogva az aljzatból.
- Tároláskor lazán tekerje fel a kábelt, a szoros feltekerés károsíthatja a kábelt és a belső alkatrészeket.
- Kerülje a készülék mélykiszülését.

## **4 A csomag tartalma**

<b>Mennyiség</b>	<b>Leírás</b>
1	Hordozható töltőállomás
1	Töltőkábel (USB-C – USB-C)
1	Autós töltőkábel (szivargyújtó csatlakozó – DC5525)
1	Rövid üzemeltetési útmutató
1	Használati utasítás (csak digitálisan)

## 5 Rendeltetészerű használat

A hordozható töltőállomás digitális mobil eszközök (pl. mobiltelefonok, táblagépek, laptopok, fényképezőgépek stb.) töltésére vagy 12 V-os készülékek (pl. pumpák, hűtődobozok és egyéb kültéri berendezések) működtetésére szolgál, valamint lámpaként is használható.

A hordozható töltőállomás alkalmas kültéri használatra, pl. túrázásra.

A hordozható töltőállomás a következő célokra **nem** alkalmas:

- Párhuzamos összekapcsolás más hordozható töltőállomásokkal
- Kereskedelmi célú használatra

Ez a termék az itt leírt utasításoknak megfelelő rendeltetészerű használatra alkalmas.

Ez a kézikönyv olyan információkat nyújt, amelyek a termék szakszerű telepítéséhez és/vagy üzemeltetéséhez szükségesek. A hibás telepítés és/vagy a szakszerűtlen üzemeltetés vagy karbantartás elégtelen teljesítményhez és potenciálisan meghibásodáshoz vezethet.

A gyártó nem vállal felelősséget a termék olyan károsodásáért, vagy sérülésekért, amelyek a következőkre vezethetők vissza:

- Hibás beszerelés, összeszerelés vagy csatlakoztatás, ideértve a túlfeszültséget is
- Helytelen karbantartás, vagy a gyártó által szállított eredeti cserealkatrészekről eltérő cserealkatrészek használata
- A termék kifejezett gyártói engedély nélküli módosítása
- Az útmutatóban leírt céloktól eltérő felhasználás

A Dometic fenntartja a termék megjelenésének és specifikációjának módosítására vonatkozó jogát.

## 6 Műszaki leírás

### Általános leírás

A töltőállomás lítium-vasfoszfát akkumulátorral és beépített LED-es lámpával rendelkezik.

A digitális mobil eszközök töltésére két USB kimenet áll rendelkezésre (2 és 4, . ábra 1 156. oldal). Ezenkívül a készülék 12 V-os készülékek számára képes áramellátást biztosítani az egyenáramú kimeneten keresztül (csatlakoztatás autós töltőadapterrel, 5, . ábra 1 156. oldal).

A hordozható töltőállomás az USB-C-bemeneten (2, . ábra 1 156. oldal) vagy az egyenáramú bemeneten (6, . ábra 1 156. oldal) keresztül tölthető.

A töltési folyamatot és az aktuális töltöttségi állapotot az akkumulátor-állapotjelző mutatja (8, . ábra 1 156. oldal). Az akkumulátor-állapotjelző azonnal működésbe lép, amikor:

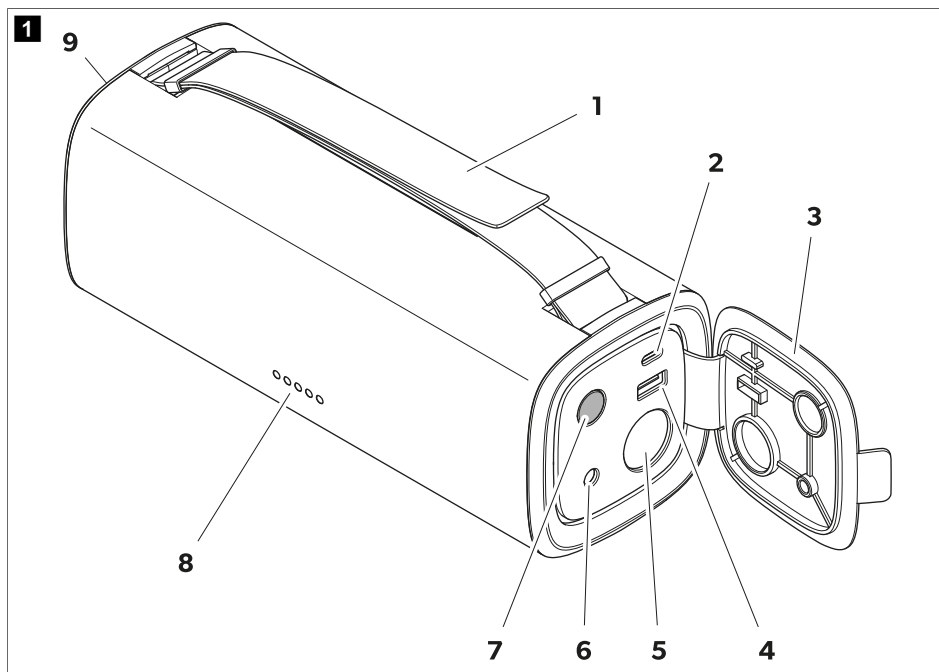
- A töltőállomás töltődik.
- Fogysztót csatlakoztatnak a töltőállomáshoz.
- Bekapcsolják a lámpát.

A hordozható töltőállomás a következő védelmi mechanizmusokkal rendelkezik:

- Magas és alacsony hőmérséklet elleni védelem
- Túláramvédelem

- Túlfeszültség és alulfeszültség elleni védelem a bemeneteken
- Túlfeszültség elleni védelem a kimeneteken
- rövidzárlat elleni védelem
- Túltöltés és mélykisülés elleni védelem

## A készülék leírása



Sz.	Magyarázat	Sz.	Magyarázat
1	Állítható hordozófogantyú	6	DC5525-bemenet (12 V ... 32 V)
2	USB-C-bemenet/kimenet (5 V/3 A, 9 V/3 A, 12 V/3 A, 15 V/3 A, 20 V/3 A)	7	Be / ki gomb
3	A készülék fedele	8	LED-es akkumulátor-állapotjelző
4	USB-A-kimenet (5 V/2,4 A, 9 V/2 A, 12 V/1,5 A)	9	LED-es lámpa
5	Egyenáramú kimenet (12 V/15 A)		

## 7 Üzemeltetés



### FIGYELEM! Károsodás veszélye

Minden használat után töltsse fel a töltőállomást.



**MEGJEGYZÉS** A digitális mobil eszközök töltése, 12 V-os készülékek működtetése és a töltőállomás töltése egyidejűleg is lehetséges.

## Az első használat előtt

- > Az első használat előtt tölts fel teljesen a töltőállomást (lásd a következő fejezetet: A töltőállomás töltése 157. oldal).

## A töltőállomás töltése



### FIGYELEM! Károsodás veszélye

- Gondoskodjon megfelelő szellőzésről, és biztosítsa, hogy a töltési folyamat során keletkező hő eltávozhasson a töltőállomásból.
- Győződjön meg arról, hogy a jármű akkumulátorának vagy a napelemmodulnak a terheletlen áramköri feszültsége (Voc) nem haladja meg a 32 V értéket.

A töltőállomás szükséges töltési ideje a választott töltési forrástól és töltési bemenettől függ. A töltőállomás az USB-C-bemeneten át maximum 60 W, az egyenáramú bemeneten át pedig maximum 100 W teljesítménnyel tölthető. Az USB-C- és az egyenáramú bemeneten át történő egyidejű töltés esetén a töltési teljesítmény maximum 120 W lehet.

Az egyenáramú bemenet a járműakkumulátorral és a napenergiával történő töltést egyaránt támogatja.

1. Helyezze a töltőállomást szilárd és hőálló felületre.
  2. Nyissa ki a készülékfedelelet, hogy hozzáférjen a csatlakozókhoz és a kezelőszervekhez.
  3. Csatlakoztasson egy megfelelő áramforrást (pl. járműakkumulátort, napelemet) a töltőállomás egyenáramú bemenetéhez vagy USB-C-bemenetéhez.
- ✓ Az akkumulátor-állapotjelző mutatni kezdi a töltöttséget (lásd a következő fejezetet: A töltöttségi állapot ellenőrzése 157. oldal). A következő, magasabb töltöttségi szinthez tartozó LED a teljes töltöttségi szint eléréséig villog.

A töltési folyamat automatikusan leáll, amit a töltőállomás teljesen feltöltődött. Ilyenkor az akkumulátor-állapotjelző összes LED-je világít.

4. A töltés után válassza le az összes töltőkábelt, és csukja be a készülékfedelelet.

## A töltöttségi állapot ellenőrzése

- > A gombbal kapcsolhatja be és ki az akkumulátor-állapotjelzőt (8. ábra 156. oldal).



### MEGJEGYZÉS

- Az akkumulátor-állapotjelző automatikusan kikapcsol, ha nincs csatlakoztatva fogyasztó vagy tápforrás.
- Amikor a töltöttség 5 % alá csökken, az 1. LED villogni kezd, jelezve az akkumulátor lemerüléshez közeli állapotát.

- ✓ Az akkumulátor-állapotjelző 0 % (lemerült) és 100 % (teljesen feltöltve) között jelzi a töltöttséget.

Akkumulátor-állapotjelző					Akkumulátorkapacitás
1. LED	2. LED	3. LED	4. LED	5. LED	
○	○	○	○	○	0 %

Akkumulátor-állapotjelző					Akkumulátorkapacitás
1. LED	2. LED	3. LED	4. LED	5. LED	
●	○	○	○	○	5 ... 20 %
●	●	○	○	○	21 ... 40 %
●	●	●	○	○	41 ... 60 %
●	●	●	●	○	61 ... 80 %
●	●	●	●	●	81 ... 100 %

## A LED-es lámpa használata





### VIGYÁZAT! Sérülés kockázata

Ne nézzen bele közvetlenül a LED-es lámpa fényébe, mert ez károsíthatja a szemét.



**MEGJEGYZÉS** A lámpa 2 színhőmérsékletre állítható be: Semleges fehérre (4300 K) és hideg fehérre (6400 K).

1. Nyissa ki a készülékfedelelet, hogy hozzáférjen a csatlakozókhoz és a kezelőszervekhez.
2. A lámpa bekapcsolásához tartsa nyomva a  gombot 3 s-ig.
- ✓ Világítani kezd az akkumulátor-állapotjelző.
3. A színhőmérsékletek között a  gombbal válthat.



**MEGJEGYZÉS** Ha fogyasztó vagy tápforrás van csatlakoztatva, a hideg fehér színhőmérséklet nem választható ki, és a lámpa automatikusan semleges fehér fényre kapcsol.

4. A lámpát a hordozófogantyúnál fogva viheti magával. A hordozófogantyú a kívánt hosszra állítható.
5. A használat befejeztével csukja be a készülékfedelelet.

## Digitális eszközök töltése az USB-porton keresztül

Az USB-C-kimenet 60 W, az USB-A-kimenet pedig 18 W töltési teljesítményt biztosít.



### MEGJEGYZÉS

- A digitális mobilkészülékek töltése nem lehetséges, ha a töltőállomás töltöttsége alacsony (a töltöttségi szint < 5 %).
- Két digitális mobilkészüléket lehet egyszerre tölteni mindkét USB-kimenet használatával.

1. Nyissa ki a készülékfedelelet, hogy hozzáférjen a csatlakozókhoz és a kezelőszervekhez.
2. Válassza ki a megfelelő adapterrel rendelkező töltőkábelt a használni kívánt USB-kimenettől függően, és csatlakoztassa a digitális eszközt a töltőállomáshoz.
- ✓ A töltőállomás automatikusan tölteni kezdi a digitális eszközt. Az akkumulátor-állapotjelző mutatja a töltőállomás fennmaradó töltöttségét.
3. A töltés után válassza le az összes töltőkábelt, és csukja be a készülékfedelelet.

## 12 V-os eszközök üzemeltetése



### FIGYELEM! Károsodás veszélye

Gondoskodjon megfelelő szellőzésről, és biztosítsa, hogy a keletkező hő eltávozhasson a töltőállomásból.



**MEGJEGYZÉS** A 12 V-os készülékek működtetése nem lehetséges, ha a töltőállomás töltöttsége alacsony (a töltöttségi szint < 5 %).

Az egyenáramú kimenet maximum 150 W teljesítmény folyamatos leadására képes hordozható tápegységként.

1. Helyezze a töltőállomást szilárd és hőálló felületre.
2. Nyissa ki a készülékfedelelet, hogy hozzáférjen a csatlakozókhoz és a kezelőszervekhez.
3. Csatlakoztassa a 12 V-os készülék tápkábelét a töltőállomás egyenáramú kimenetéhez.
- ✓ A töltőállomás automatikusan biztosítja a működéshez szükséges tápellátást a 12 V-os készülék számára. Az akkumulátor-állapotjelző mutatja a töltőállomás fennmaradó töltöttségét.
4. A használatot követően válassza le a 12 V-os készülék tápkábelét, és csukja be a töltőállomás készülékfedelét.

## 8 Tisztítás és karbantartás



### FIGYELMEZTETÉS! Áramütés miatti veszély

Minden tisztítás és karbantartás előtt húzza ki a készüléket az aljzattól



### FIGYELEM! Károsodás veszélye

- Soha ne tisztítsa a készüléket csapvíz alatt vagy mosogatóvízben.
- A tisztításhoz ne használjon éles vagy kemény tárgyakat, dörzsölő hatású tisztítószereket vagy fehérítőt, mert ezek károsíthatják a készüléket.

- > Alkalmanként tisztítsa meg a készüléket nedves, puha kendővel.
- > Rendszeresen ellenőrizze a feszültség alatt álló kábelek vagy vezetékek szigetelési hibáit, töréseit vagy kilazult csatlakozásait.


## 9 Tárolás



### FIGYELEM! Károsodás veszélye

- A töltőállomást csak teljesen feltöltött állapotban tárolja. Rendszeresen, legalább 3–6 havonta tölts fel a töltőállomást, még akkor is, ha nem használja.
  - Tartsa be a megadott optimális tárolási hőmérsékletet, mivel a magas és alacsony hőmérsékleten történő hosszú idejű tárolás ronthatja a töltőállomás élettartamát és teljesítményét.
- > A töltőállomást jól szellőző, száraz, portól és szennyeződésektől védett helyen tárolja.
  - > Rendszeresen ellenőrizze a töltőállomás töltöttségét (lásd a következő fejezetet: A töltöttségi állapot ellenőrzése 157. oldal).

## 10 Hibakeresés

Hiba	Lehetséges ok	Megoldási javaslat
A töltőállomás nem működik. A  gomb nem reagál.	A töltőállomás a mélykisülés állapotába került.	Töltse fel a töltőállomást (lásd a következő fejezetet: A töltőállomás töltése 157. oldal).
	Szigetelési hibák, szakadások vagy kilazult csatlakozások a feszültség alatt lévő kábeleken.	<ul style="list-style-type: none"> <li>&gt; Ellenőrizze a feszültség alatt álló kábelek szigetelési hibáit, töréseit vagy kilazult csatlakozásait.</li> <li>&gt; Ha nem találja a hibát, forduljon egy hivatalos szervizhez.</li> </ul>
	A töltőállomás túláramvédelme működésbe lépett. A töltőállomás rövidzárlat elleni védelme működésbe lépett.	<ol style="list-style-type: none"> <li>1. Válasszon le minden fogyasztót az USB-C-, az USB-A- és az egyenáramú kimenetekről.</li> <li>2. Vegye figyelembe a kimenetek maximális terhelhetőségét (lásd a következő fejezetet: Műszaki adatok 161. oldal), amikor az eszközt ismét csatlakoztatja.</li> <li>3. Ha a töltés nem indul újra azonnal az eszközök csatlakoztatása után, töltse fel a töltőállomást az újraaktiválásához (lásd a következő fejezetet: A töltőállomás töltése 157. oldal).</li> </ol>

## 11 Ártalmatlanítás



Csomagolóanyagok újrahasznosítása: A csomagolóanyagot lehetőleg a megfelelő újrahasznosítható hulladékokhoz tegye.



Nem cserélhető elemeket, akkumulátorokat vagy fényforrásokat tartalmazó termékek újrahasznosítása:

- Ha a termék nem cserélhető elemeket, akkumulátorokat vagy fényforrásokat tartalmaz, azokat nem kell eltávolítani az ártalmatlanítás előtt.
- A termék végleges üzemén kívül helyezése esetén tájékozódjon a legközelebbi újrahasznosító központban vagy szakkereskedőjénél a vonatkozó ártalmatlanítási előírásokról.
- A termék ingyenesen ártalmatlanítható.

## 12 Szavatosság

A termékre a törvény szerinti szavatossági időszak érvényes. Amennyiben a termék meghibásodott, lépjen kapcsolatba a gyártó helyi képviselőjével (lásd: [dometic.com/dealer](http://dometic.com/dealer)) vagy a kereskedővel.

A javításhoz, illetve a garancia adminisztrációhoz a következő dokumentumokat kell mellékelnie a termék beküldésekor:




- A számla vásárlási dátummal rendelkező másolatát
- A reklamáció okát vagy a hibát tartalmazó leírást

Vegye figyelembe, hogy az önkezelő javítás vagy a nem szakszerű javítás biztonsági következményekkel járhat, és érvénytelenítheti a szavatosságot.

## 13 Műszaki adatok

<b>Akkumulátor</b>	
Akkumulátortípus	lítium-vas-foszfát/LiFePO4
Névleges akkumulátor-kapacitás	15 Ah
Névleges akkumulátor-feszültség	12,8 V <sub>nom</sub>
<b>USB-A kimenet</b>	
Kimeneti feszültség/névleges áramerősség	5 V <sub>nom</sub> /2,4 A, 9 V <sub>nom</sub> /2 A, 12 V <sub>nom</sub> /1,5 A
<b>USB-C kimenet/bemenet</b>	
Töltési feszültség tartomány	5 ... 20 V <sub>nom</sub>
Bemeneti áramerősség	3 A
<b>DC-kimenet</b>	
Kimeneti feszültség	12 V <sub>nom</sub>
Névleges áram	15 A
<b>DC bemenet</b>	
Töltési feszültség tartomány	12 ... 32 V <sub>nom</sub>
Maximális bemeneti áram	5,5 A
<b>LED-es lámpa</b>	
Hideg fehér	
<ul style="list-style-type: none"> <li>• LED lámpa teljesítménye</li> <li>• Lumen</li> </ul>	4,5 W ± 0,5 W 160 lm ± 10 lm
Semleges fehér	
<ul style="list-style-type: none"> <li>• LED lámpa teljesítménye</li> <li>• Lumen</li> </ul>	2,5 W ± 0,5 W 50 lm ± 10 lm
<b>Általános műszaki adatok</b>	
Környezeti hőmérséklet, üzem	-10 °C ... 45 °C
Töltési hőmérséklet	0 °C ... 45 °C
Tárolási hőmérséklet-tartomány	-20 °C ... 60 °C
Legnagyobb önkisülési sebesség 25 °C hőmérsékleten	5 % havonta
Környezeti páratartalom	≤ 95 %, nem kondenzálódó
Védelmi típus	IP 44
Élettartam	2000 töltési ciklus

Méreték (SzéxMaxMé)	85 × 222 × 85 mm
Súly	1,8 kg
Vizsgálat / tanúsítványok	

## Hrvatski

1	Važne napomene.....	163
2	Objašnjenje simbola.....	163
3	Sigurnosne upute.....	164
4	Opseg isporuke.....	165
5	Namjena.....	166
6	Tehnički opis.....	166
7	Rad.....	167
8	Čišćenje i održavanje.....	170
9	Spremanje.....	170
10	Uklanjanje smetnji.....	170
11	Odlaganje u otpad.....	171
12	Jamstvo.....	171
13	Tehnički podaci.....	171

## 1 Važne napomene

Pažljivo pročitajte ove upute i poštujujte sve upute, smjernice i upozorenja sadržane u ovim uputama kako biste u svakom trenutku osigurali pravilnu instalaciju, uporabu i održavanje proizvoda. Ove upute MORAJU ostati u blizini ovog proizvoda.

Uporabom proizvoda potvrđujete da ste pažljivo pročitali sve upute, smjernice i upozorenja te da razumijete i pristajete poštovati ovdje navedene uvjete i odredbe. Pristajete koristiti se ovim proizvodom samo za predviđenu svrhu i namjenu te u skladu s uputama, smjernicama i upozorenjima navedenima u ovom priručniku za proizvod, kao i u skladu sa svim važećim zakonima i propisima. Ako ne pročitate i ne poštujujte ovdje navedene upute i upozorenja, tada to može dovesti do ozljeđivanja vas i drugih osoba, do oštećenja proizvoda ili druge imovine u blizini. Ovaj priručnik za proizvod, uključujući i upute, smjernice i upozorenja, te povezanu dokumentaciju može biti podložan promjenama i ažuriranjima. Za najnovije podatke o proizvodu posjetite [documents.dometic.com](http://documents.dometic.com).

## 2 Objašnjenje simbola



### **UPOZORENJE!**

Naznačuje opasnu situaciju, koja bi, ako se ne izbjegne, mogla rezultirati smrću ili teškim ozljedama.



### **OPREZ!**

Naznačuje opasnu situaciju, koja bi, ako se ne izbjegne, mogla rezultirati lakšim ili umjerenim ozljedama.



### **POZOR!**

Naznačuje situaciju, koja, ako se ne izbjegne, može rezultirati materijalnom štetom.



**UPUTA** Dodatne informacije za rukovanje proizvodom.

## 3 Sigurnosne upute

### Opća sigurnost



#### UPOZORENJE! Opasnost od strujnog udara

- Nemojte koristiti ovaj uređaj ako na njemu ima vidljivih oštećenja.
- Uređaj smije popravljati samo kvalificirano osoblje. Nepropisno izvedeni popravci mogu značajno povećati opasnosti.
- Nemojte rastavljati uređaj.
- Nemojte modificirati ili prilagođavati nijednu komponentu na bilo koji način.
- Koristite samo dodatni pribor i rezervne dijelove koje preporučuje proizvođač.
- Nemojte koristiti uređaj u mokrim uvjetima ili ga uranjati u bilo kakvu tekućinu. Čuvajte na suhom mjestu.
- Prije svakog čišćenja ili održavanja te nakon svake upotrebe uređaj isključite i iskopčajte iz izvora napajanja.



#### UPOZORENJE! Opasnost od ozljeda

Akumulatori sadrže agresivne i nagrizajuće kiseline. Pazite da tekućina akumulatora ne dođe u kontakt s Vašim tijelom. Ako koža dođe u kontakt s tekućinom akumulatora, temeljito operite taj dio tijela vodom. Ako se ozlijedite kiselinama, odmah se obratite liječniku.



#### UPOZORENJE! Opasnost za zdravlje

- Baterije ne smijete otvarati ni oštećivati niti ih bacati u prirodu jer sadrže otrovne teške metale koji štete okolišu.
- Ovaj uređaj smiju koristiti djeca od 8 godina i starija te osobe sa smanjenim fizičkim, senzornim ili mentalnim sposobnostima ili osobe s nedovoljnim iskustvom i znanjem ako su pod nadzorom ili ako su dobili upute o sigurnoj uporabi uređaja te razumiju opasnosti koje se pri tome javljaju.
- **Električni uređaji nisu igračke.** Uvijek čuvajte uređaj izvan dohvata male djece.
- Djeca moraju biti pod nadzorom kako bi se osiguralo da se neće igrati s uređajem.
- Djeca ne smiju provoditi čišćenje i korisničko održavanje bez nadzora.



#### POZOR! Opasnost od oštećenja

- Prije prvog puštanja u rad provjerite odgovara li specificirani napon na tipskoj pločici naponu navedenom na izvoru napajanja.
- Uvjerite se da drugi predmeti **ne mogu** uzrokovati kratki spoj na kontaktima uređaja.
- Pobrinite se za to da negativni i pozitivni polovi **nikada** ne dođu u kontakt.
- Kabele nemojte upotrebljavati kao ručku.

### Sigurnost pri radu uređaja



#### OPREZ! Opasnost od eksplozije

- **Nemojte** upotrebljavati uređaj u sljedećim uvjetima:
  - U slanoj, mokroj ili vlažnoj okolini
  - U blizini korozivnih isparavanja
  - U blizini zapaljivih materijala
  - U područjima gdje prijeti opasnost od eksplozija plina ili prašine

- Nikada nemojte pokušavati puniti smrznuti ili neispravni akumulator. Paket baterija smjestite u područje u kojem ne može doći do smrzavanja i pričekajte da se aklimatizira na okolnu temperaturu.
- Nemojte smještati uređaj u blizini izvora topline (grijalice, izravna sunčeva svjetlost, plinske pećnice itd.).
- U blizini paketa baterija nemojte pušiti, koristiti otvoreni plamen ni uzrokovati iskre.
- Uređaj ne ostavljajte bez nadzora dok je u upotrebi.



#### **OPREZI! Opasnost od strujnog udara**

- Prije pokretanja uređaja provjerite jesu li kabel za napajanje i utikač suhi te nema li na utikaču hrđe ili nečistoće.
- Kada radite na električnim sustavima, uz vas uvijek mora biti netko tko vam u hitnom slučaju može pomoći.
- Kabele postavite tako da ih ne mogu oštetiti oštri rubovi, vrata ili poklopac motora. Kabele **nemojte** postaviti tako da budu jako savinuti. Prignječeni kabele mogu dovesti do teške ozljede.
- Nemojte razdvajati kabele dok je uređaj još uvijek u uporabi.



#### **OPREZI! Opasnost od požara**

- Kako biste izbjegli oštećenje vanjskih i unutrašnjih dijelova, uređaj ne smijete pustiti da padne, udarati ga ni primjenjivati na njega prekomjernu silu.
- Uređaj nemojte stavljati blizu zapaljivih materijala.



#### **OPREZI! Opasnost od ozljeda**

Prilikom postavljanja uređaja provjerite jesu li svi kabele pravilno fiksirani kako bi se izbjegla opasnost od spoticanja.



#### **POZOR! Opasnost od oštećenja**

- Uvjerite se da ulazi i izlazi zraka uređaja nisu pokriveni.
- Pobrinite se za dobru ventilaciju.
- Postavite uređaj na suho mjesto gdje je zaštićen od prskanja vode.
- Nikada ne izvlačite utikač iz utičnice povlačenjem kabela.
- Kada spremate uređaj, kabel omotajte labavo. Ako ga previše zategnete, možete oštetiti kabel i unutrašnje dijelove.
- Izbjegavajte dubinsko pražnjenje uređaja.

## 4 Opseg isporuke

Količina	Opis
1	Prijenosni paket baterija
1	Kabel za punjenje (USB-C u USB-C)
1	Kabel za punjenje u automobilu (utičnica upaljača u DC5525)
1	Kratke upute za rukovanje
1	Upute za rukovanje (samo digitalne)

## 5 Namjena

Prijenosni paket baterija upotrebljava se za punjenje digitalnih mobilnih uređaja (npr. mobilnih telefona, tableta, prijenosnih računala, kamera itd.), rad uređaja na 12 V (npr. zračnih pumpi, rashladnih kutija i druge opreme za upotrebu na otvorenom) te kao svjetiljka.

Prijenosni paket baterija prikladan je za upotrebu na otvorenom, npr. za izlete u prirodi.

Prijenosni paket baterija **nije** prikladan za

- paralelno povezivanje s drugim prijenosnim paketima baterija
- komercijalnu upotrebu

Ovaj je proizvod prikladan samo za predviđenu namjenu i primjenu u skladu s ovim uputama.

Ove upute donose informacije neophodne za pravilnu instalaciju i/ili rad proizvoda. Loša instalacija i/ili nepravilan rad ili održavanje rezultirat će nezadovoljavajućom uspješnošću i mogućim kvarom.

Proizvođač ne preuzima nikakvu odgovornost za bilo kakve ozljede ili oštećenja proizvoda koje nastanu kao rezultat:

- nepravilnog sklapanja, montaže ili priključivanja, uključujući i previsok napon
- nepravilnog održavanja ili uporabe nekih drugih rezervnih dijelova osim originalnih rezervnih dijelova koje isporučuje proizvođač
- izmjena na proizvodu bez izričitog dopuštenja proizvođača
- uporabe u svrhe koje nisu opisane u ovim uputama

Dometic pridržava pravo na izmjene izgleda i specifikacija proizvoda.

## 6 Tehnički opis

### Opći opis

Paket baterija opremljen je litij-željezo-fosfatnom baterijom i ugrađenom LED svjetiljkom.

Digitalne mobilne uređaje možete puniti iz jednog od dva USB izlaza (**2** i **4**, sl. **1** na stranici 167). Uređaj je usto moguće upotrebljavati za rad 12 V uređaja putem izlaza istosmjerne struje (priključak za adapter za punjenje u automobilu, **5**, sl. **1** na stranici 167).

Prijenosni paket baterija moguće je puniti putem ulaza USB-C (**2**, sl. **1** na stranici 167) ili ulaza istosmjerne struje (**6**, sl. **1** na stranici 167).

Postupak punjenja i trenutno stanje napunjenosti prikazuje indikator statusa baterija (**8**, sl. **1** na stranici 167). Indikator statusa baterija aktivira se:

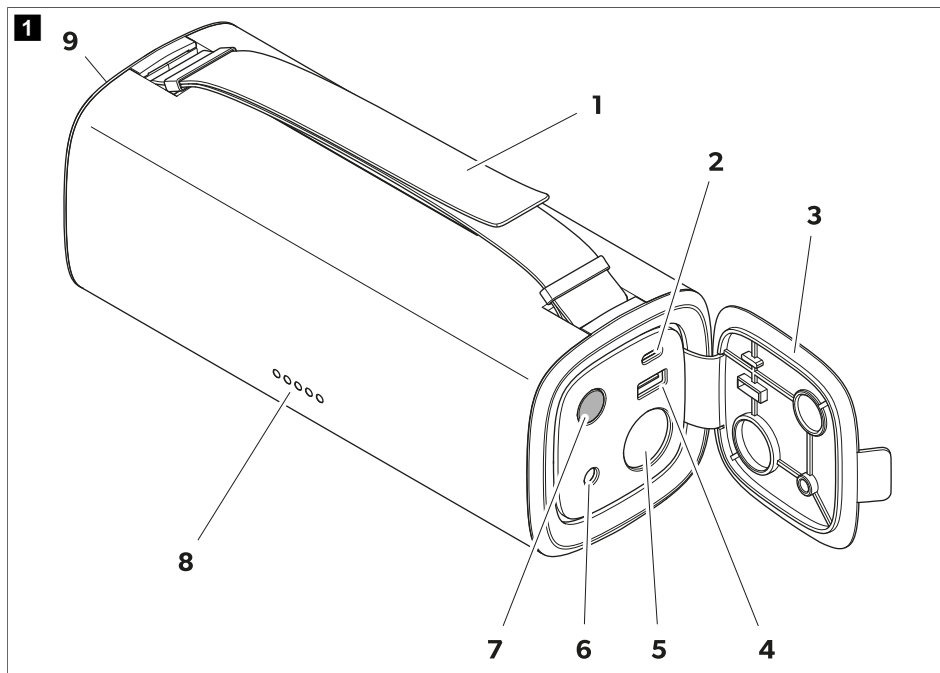
- Kada se puni paket baterija.
- Kada je na paket baterija priključeno trošilo.
- Kada je uključena svjetiljka.

Prijenosni paket baterija ima sljedeće zaštitne mehanizme:

- zaštitu od visoke i niske temperature
- zaštitu od nadstruje
- zaštitu od prenapona i podnapona na izlazima
- zaštitu od prenapona na izlazima

- zaštitu od kratkog spoja
- zaštitu od prepunjenja i dubokog pražnjenja

## Opis uređaja



Br.	Objašnjenje	Br.	Objašnjenje
1	Podesiva ručka za prenošenje	6	Ulaz DC5525 (12 V ... 32 V)
2	Ulaz/izlaz USB-C (5 V/3 A, 9 V/3 A, 12 V/3 A, 15 V/3 A, 20 V/3 A)	7	Tipka za uključivanje/isključivanje
3	Poklopac uređaja	8	LED indikator statusa baterija
4	Izlaz USB-A (5 V/2,4 A, 9 V/2 A, 12 V/1,5 A)	9	LED svjetiljka
5	Izlaz istosmjerne struje (12 V/15 A)		

## 7 Rad



### **POZOR! Opasnost od oštećenja**

Paket baterija napunite nakon svake upotrebe.



**UPUTA** Moguće je istovremeno puniti digitalne mobilne uređaje, upotrebljavati uređaje koji rade na 12 V te puniti paket baterija.

## Prije prve uporabe

- > Prije prve upotrebe paket baterija napunite do kraja (pogledajte odjeljak Punjenje paketa baterija na stranici 168).

## Punjenje paketa baterija



### POZOR! Opasnost od oštećenja

- Osigurajte dostatno prozračivanje i pripazite da se vrućina koja nastane prilikom punjenja može raspršiti iz paketa baterija.
- Osigurajte da mirni napon ćelije (VoC) akumulatora vozila ili solarnog modula ne premaši 32 V.

Vrijeme potrebno za punjenje paketa baterija ovisi o odabranom izvoru punjenja i ulazu punjenja. Prijenosni paket baterija moguće je napuniti do 60 W putem ulaza USB-C ili do 100 W putem ulaza za istosmjernu struju. Istovremenim punjenjem putem ulaza USB-C i ulaza za istosmjernu struju snagu punjenja možete povećati do 120 W.


Ulaz za istosmjernu struju podržava punjenje iz akumulatora vozila i punjenje solarnom energijom.

1. Paket baterija stavite na čvrstu podlogu otpornu na vrućinu.
  2. Otvorite poklopac uređaja kako biste pristupili priključcima i upravljačkim komandama.
  3. Na ulaz za istosmjernu struju ili USB-C ulaz paketa baterija priključite prikladan izvor napajanja (npr. akumulator vozila ili solarni panel).
- ✓ Indikator statusa baterija prikazuje stanje napunjenosti (pogledajte odjeljak Provjera stanja napunjenosti na stranici 168). LED za sljedeću višu razinu napunjenosti treperi sve dok se ne dosegne puna razina napunjenosti.

Kada se paket baterija napni do kraja, postupak punjenja automatski se zaustavlja. Osvijetljeni su svi LED indikatori statusa baterija.

4. Nakon punjenja uklonite sve kabele za punjenje i zatvorite poklopac uređaja.

## Provjera stanja napunjenosti

- > Pritisnite tipku  kako biste aktivirali ili deaktivirali indikator statusa baterija (8, sl. 1 na stranici 167).



### UPUTA

- Indikator statusa baterija automatski se isključuje ako nije priključeno trošilo ni izvor punjenja.
  - Čim stanje punjenja padne ispod 5 %, LED 1 počinje treperiti kao znak za nisku napunjenost baterija.
- ✓ Indikator statusa baterija prikazuje stanje napunjenosti od 0 % (ispražnjeno) do 100 % (potpuno napunjeno).

Indikator statusa baterija					Kapacitet baterija
LED 1	LED 2	LED 3	LED 4	LED 5	
○	○	○	○	○	0 %
●	○	○	○	○	5 ... 20 %
●	●	○	○	○	21 ... 40 %
●	●	●	○	○	41 ... 60 %
●	●	●	●	○	61 ... 80 %
●	●	●	●	●	81 ... 100 %



## Upotreba LED svjetiljke





### OPREZ! Opasnost od ozljeda

Nemojte gledati izravno u LED svjetiljku jer bi vam mogla ozlijediti oči.



**UPUTA** Svjetiljku možete podesiti na dvije temperature boje: neutralno bijela (pri 4300 K) i hladno bijela (pri 6400 K).

1. Otvorite poklopac uređaja kako biste pristupili priključcima i upravljačkim komandama.
2. Pritisnite i zadržite tipku  na 3 s kako biste uključili ili isključili svjetiljku.
- ✓ Svjetli indikator statusa baterija.
3. Pritisnite tipku  kako biste promijeniti temperaturu boje.



**UPUTA** Ako su priključena trošila ili izvori punjenja, hladno bijela temperatura boje nije dostupna i svjetiljka se automatski postavlja na neutralno bijelu.

4. Svjetiljku držite za ručku za prenošenje. Ručku za prenošenje možete podesiti na potrebnu duljinu.
5. Nakon upotrebe zatvorite poklopac uređaja.

## Punjenje digitalnih uređaja putem USB-a

Izlaz USB-C ima snagu punjenja od 60 W, a izlaz USB-A snagu punjenja od 18 W.



### UPUTA

- Punjenje digitalnih mobilnih uređaja nije moguće ako je paket baterija u statusu niske napunjenosti (napunjenost < 5 %).
- Moguće je istovremeno puniti dva digitalna mobilna uređaja putem oba USB izlaza.

1. Otvorite poklopac uređaja kako biste pristupili priključcima i upravljačkim komandama.
2. Odaberite kabel za punjenje s prikladnim adapterom ovisno o USB izlazu koji će se upotrebljavati pa paket baterija povežite s digitalnim uređajem.
- ✓ Digitalni uređaj automatski se puni putem paketa baterija. Indikator statusa baterija prikazuje stanje preostale napunjenosti paketa baterija.
3. Nakon punjenja uklonite sve kabele za punjenje i zatvorite poklopac uređaja.

## Upotreba uređaja koji rade na 12 V



### POZOR! Opasnost od oštećenja

Osigurajte dostatno prozračivanje i pripazite da se vrućina koja nastane može raspršiti iz paketa baterija.



**UPUTA** Upotreba uređaja koji rade na 12 V nije moguće ako je paket baterija u statusu niske napunjenosti (napunjenost < 5 %).

Izlaz istosmjerne struje nudi mobilni izvor napajanja s do 150 W neprekidne energije.

1. Paket baterija stavite na čvrstu podlogu otpornu na vrućinu.
2. Otvorite poklopac uređaja kako biste pristupili priključcima i upravljačkim komandama.

3. Kabel za napajanje uređaja koji radi na 12 V priključite u izlaz istosmjerne struje na paketu baterija.
- ✓ Uređaj koji radi na 12 V automatski se napaja energijom potrebnom za funkcioniranje iz paketa baterija. Indikator statusa baterija prikazuje stanje preostale napunjenosti paketa baterija.
4. Nakon upotrebe iskopčajte kabel za napajanje uređaja koji radi na 12 V i zatvorite poklopac paketa baterija.

## 8 Čišćenje i održavanje



### **UPOZORENJE! Opasnost od strujnog udara**

Iskopčajte uređaj od napajanja prije svakog čišćenja i održavanja.



### **POZOR! Opasnost od oštećenja**

- Nikad ne perite uređaj pod mlazom tekuće vode ni u vodi pripremljenoj za pranje posuđa.
  - Za čišćenje nemojte upotrebljavati oštre ni tvrde predmete, abrazivna sredstva za čišćenje ni izbjeljivač jer oni mogu oštetiti uređaj.
- > Po potrebi očistite uređaj mekanom i vlažnom krpom.
- > Redovito provjeravajte nema li na kabelima ili vodovima pod naponom oštećenja izolacije, pukotina ili labavih spojeva.


## 9 Spremanje



### **POZOR! Opasnost od oštećenja**

- Paket baterija spremite samo kada je potpuno napunjen. Spremljeni paket baterija redovito ponovno napunite najmanje svakih 3 – 6 mjeseci, čak i ako se ne upotrebljava.
  - Pazite na navedenu optimalnu temperaturu čuvanja jer dugotrajno čuvanje pri visokim i niskim temperaturama može ugroziti vijek trajanja i performanse.
- > Paket baterija čuvajte u dobro prozračenom, suhom mjestu gdje će biti zaštićen od prašine i prljavštine.
- > Redovito provjeravajte stanje napunjenosti paketa baterija (pogledajte odjeljak *Provjera stanja napunjenosti* na stranici 168).

## 10 Uklanjanje smetnji

Smetnja	Mogući uzrok	Rješenje
Paket baterija ne funkcionira. Gumb  ne reagira.	Paket baterija dubinski je ispražnjen.	Napunite paket baterija (pogledajte odjeljak <i>Punjenje paketa baterija</i> na stranici 168).
	Oštećenja izolacije, prekidi ili labavi spojevi kabela pod naponom.	<ul style="list-style-type: none"> <li>&gt; Pregledajte nema li na kabelima pod naponom oštećenja izolacije, pukotina ili labavih spojeva.</li> <li>&gt; Ako ne možete pronaći grešku, obratite se ovlaštenom servisu.</li> </ul>

Smetnja	Mogući uzrok	Rješenje
	Aktivirana je zaštita paketa baterija od nadstruje. Aktivirana je zaštita paketa baterija od kratkog spoja.	<ol style="list-style-type: none"> <li>1. Uklonite trošila s izlaza USB-C i USB-A te izlaza istosmjernje struje.</li> <li>2. Prilikom ponovnog priključivanja uređaja pridržavajte se maksimalnih opterećenja izlaza (pogledajte odjeljak Tehnički podaci na stranici 171).</li> <li>3. Ako se punjenje ne nastavi odmah nakon ponovnog priključivanja uređaja, napunite paket baterija kako biste ga ponovno aktivirali (pogledajte odjeljak Punjenje paketa baterija na stranici 168).</li> </ol>

## 11 Odlaganje u otpad



Recikliranje ambalaže: Odložite ambalažu u odgovarajuće kante za reciklažu otpada gdje god je to moguće.



Recikliranje proizvoda s jednokratnim baterijama, punjivim baterijama ili izvorima svjetla:

- Ako proizvod sadrži jednokratne baterije, punjive baterije ili izvore svjetla, ne morate ih uklanjati prije odlaganja u otpad.
- Ako proizvod želite konačno odložiti u otpad, zatražite od svog lokalnog reciklažnog centra ili specijaliziranog trgovca pojedinosti o tomu kako to učiniti u skladu s primjenjivim propisima o odlaganju u otpad.
- Proizvod se može besplatno odložiti u otpad.

## 12 Jamstvo

Primjenjuje se zakonom propisano jamstveno razdoblje. Ako je proizvod neispravan, obratite se podružnici proizvođača u svojoj državi (pogledajte [dometic.com/dealer](http://dometic.com/dealer)) ili svojem trgovcu na malo.


Za potrebe popravaka i obrade jamstva pri slanju uređaja priložite sljedeće dokumente:

- presliku računa s datumom kupnje
- razlog reklamacije ili opis kvara

Obratite pozornost da samostalni ili nestručni popravak može imati negativne posljedice na sigurnost i uzrokovati gubitak jamstva.

## 13 Tehnički podaci

Paket baterija	
Vrsta akumulatora	Litij-željezo-fosfat / LiFePO4

Nazivni kapacitet baterije	15 Ah
Nazivni napon baterije	12,8 V <sup>nom</sup>
<b>Izlaz USB-A</b>	
Izlazni napon / nazivna struja	5 V <sup>nom</sup> /2,4 A, 9 V <sup>nom</sup> /2 A, 12 V <sup>nom</sup> /1,5 A
<b>Izlaz/ulaz USB-C</b>	
Raspon napona punjenja	5 ... 20 V <sup>nom</sup>
Ulazna struja	3 A
<b>DC izlaz</b>	
Izlazni napon	12 V <sup>nom</sup>
Dimenzionirana struja	15 A
<b>DC ulaz</b>	
Raspon napona punjenja	12 ... 32 V <sup>nom</sup>
Maksimalna ulazna struja	5,5 A
<b>LED svjetiljka</b>	
Hladno bijela	
<ul style="list-style-type: none"> <li>• snaga LED osvjetljenja</li> <li>• lumen</li> </ul>	<p>4,5 W ± 0,5 W</p> <p>160 lm ± 10 lm</p>
Neutralno bijela	
<ul style="list-style-type: none"> <li>• snaga LED osvjetljenja</li> <li>• lumen</li> </ul>	<p>2,5 W ± 0,5 W</p> <p>50 lm ± 10 lm</p>
<b>Opći tehnički podaci</b>	
Okolna temperatura za rad	-10 °C ... 45 °C
Temperatura punjenja	0 °C ... 45 °C
Raspon temperature skladištenja	-20 °C ... 60 °C
Maksimalna brzina samopražnjenja pri 25 °C	5 % na mjesec
Okolna vlaga	≤ 95 %, nekondenzirajuća
Tip zaštite	IP 44
Radni vijek	2000 ciklusa punjenja
Dimenzije (Š x V x D)	85 × 222 × 85 mm
Težina	1,8 kg
Ispitivanje / certifikati	

## Türkçe

1	Önemli notlar.....	173
2	Sembollerin açıklanması.....	173
3	Güvenlik uyarıları.....	174
4	Teslimat kapsamı.....	175
5	Amacına Uygun Kullanım.....	176
6	Teknik açıklama.....	176
7	Kullanım.....	177
8	Temizlik ve bakım.....	180
9	Depolama.....	180
10	Arızaların Giderilmesi.....	180
11	Atık İmhası.....	181
12	Garanti.....	181
13	Teknik Bilgiler.....	181

## 1 Önemli notlar

Bu ürünü doğru monte ettiğinizden ve ürünün daima kullanıma hazır olduğundan emin olmak için, lütfen tüm talimatları ve bu ürün kılavuzunda verilen kılavuzları ve uyarıları dikkatlice okuyunuz. Bu talimatlar bu ürün ile birlikte SAKLANMALIDIR.

Bu ürünü kullandığınızda tüm talimatları, kılavuzları ve uyarıları dikkatlice okuduğunuzu ve anladığınızı ve hükümlere ve koşullara bu sözleşmede yer alıyormuş gibi uyacağınıza onay verirsiniz. Bu ürünü sadece amacına ve uygulamaya uygun ve talimatlara, kılavuzlara ve uyarılara uygun bu ürün kılavuzu ile geçerli yasalara ve yönetmeliklere uygun olarak kullanacağınızı kabul ediyorsunuz. Talimatların ve uyarıların burada verildiği gibi okunmaması veya bunlara uyulmaması sonucu kendiniz ve diğer insanlar yaralanabilir veya ürününüz veya yakınında bulunan diğer mallar hasar görebilir. Talimatlar, kılavuzlar ve uyarılar da dahil, bu ürün kılavuzu ve buna ait olan dokümanlarda değişiklikler ve güncellemeler yapılabilir. Güncel ürün bilgileri için lütfen [documents.dometic.com](http://documents.dometic.com) adresini ziyaret edin.

## 2 Sembollerin açıklanması



### UYARI!

Önlenmediğinde, can kaybı veya ağır bir yaralanmaya neden olabilecek tehlikeli bir durumu gösterir.



### DİKKAT!

Önlenmediğinde, hafif veya orta derecede bir yaralanmaya neden olabilecek tehlikeli bir durumu gösterir.



### İKAZ!

Önlenmediğinde, maddi hasara neden olabilecek bir durumu gösterir.



**NOT** Ürünün kullanılması ile ilgili ek bilgiler.

## 3 Güvenlik uyarıları

### Genel güvenlik



#### UYARI! Elektrik çarpması tehlikesi

- Cihazda gözle görülebilir hasar varsa cihazı çalıştırmayın.
- Cihaz sadece kalifiye personel tarafından onarılmalıdır. Doğru yapılmayan onarımlar mühim tehlikelere sebep olabilir.
- Cihazı parçalarına ayırmayın.
- Bileşenlerin hiçbirinde hiçbir şekilde değişiklik veya uyarlama yapmayın.
- Sadece üretici tarafından tavsiye edilen aksesuar ve yedek parçaları kullanın.
- Cihazı ıslak koşullarda kullanmayın veya herhangi bir sıvıya daldırmayın. Kuru bir yerde saklayın.
- Her temizlik veya bakımdan önce ve her kullanımdan sonra cihazı kapatın ve güç kaynağından ayırın.



#### UYARI! Yaralanma riski

Aküler agresif ve yakıcı asitler içerir. Akü sıvısının vücudunuzla temas etmesini önleyin. Cildiniz akü sıvısıyla temas ederse, vücudunuzun o kısmını su kullanarak iyice yıkayın. Asitlerden dolayı herhangi bir yaralanma yaşarsanız, derhal bir doktora başvurun.



#### UYARI! Sağlık için tehlike

- Zehirli ve çevreye zararlı ağır metaller içerdiklerinden aküleri açmayın veya zarar vermeyin ya da çevreye karışmalarına izin vermeyin.
- Bu cihaz, gözetim altında olmaları veya cihazın güvenli bir şekilde kullanımıyla ilgili talimatların verilmesi ve tehlikeleri anlamaları halinde, 8 yaş ve üzeri çocuklar ve fiziksel, duyuşal veya zihinsel yetenekleri kısıtlı veya deneyim ve bilgi eksikliği olan kişiler tarafından kullanılabilir.
- **Elektronik cihazlar çocuk oyuncacı değildir!** Cihazı, küçük çocukların erişemeyeceği bir yerde saklayın ve kullanın.
- Bu cihazla oynamadıklarından emin olmak için, çocuklar daima gözetlenmelidir.
- Temizlik ve kullanıcı bakımı gözetimsiz olarak çocuklar tarafından yapılmamalıdır.



#### İKAZ! Hasar tehlikesi

- Başlatmadan önce, veri plakasındaki gerilim ile güç kaynağının geriliminin aynı olup olmadığını kontrol edin.
- Diğer nesnelerin cihazın kontaklarında bir kısa devreye sebep **olmayacağından** emin olun.
- Eksi ve artı kutupların birbirine **asla** temas etmemesine dikkat edin.
- Kabloyu tutamak olarak kullanmayın.

### Cihazı çalıştırırken güvenlik



#### DİKKAT! Patlama tehlikesi

- Cihazı aşağıdaki koşullarda **çalıştırmayın**:  
Tuzlu, ıslak veya nemli ortamlarda  
Aşındırıcı dumanların yakınında  
Yanıcı maddelerin yakınında  
Gaz veya toz patlaması riski olan alanlarda

- Asla donmuş veya hasarlı bir aküyü şarj etmeye çalışmayın. Akü paketini buzlanma olmayan bir alana yerleştirin ve akü ortam sıcaklığına alışana kadar bekleyin.
- Cihazı, açık ateş veya diğer ısı kaynaklarının (ısıtıcılar, doğrudan güneş ışını, gaz fırını vb.) yakınına yerleştirmeyin.
- Akü paketinin yakınında sigara içmeyin, açık alev kullanmayın veya kıvılcım oluşturmayın.
- Cihazı kullanırken gözetimsiz bırakmayın.



#### **DİKKAT! Elektrik çarpması tehlikesi**

- Cihazı çalıştırmadan önce güç kaynağı kablosunun ve fişin kuru olduğundan ve fişte pas veya kir olmadığından emin olun.
- Elektrik sistemleri üzerinde çalışırken, acil durumlarda size yardımcı olabilecek birinin yakınızdaki olduğundan emin olun.
- Kabloları keskin kenarlar, kapılar veya kaput nedeniyle zarar görmeyecek şekilde yerleştirin. Kabloları çok bükülmüş şekilde **döşemeyin**. Ezilmiş kablolar ciddi yaralanmalara neden olabilir.
- Cihaz kullanılırken hiçbir kabloyu bağlantısından ayırmayın.



#### **DİKKAT! Yangın tehlikesi**

- Harici ve dahili parçaların hasar görmesini önlemek için cihazı düşürmeyin, çarpmayın veya cihaza aşırı güç uygulamayın.
- Cihazı yanıcı maddelerin yakınına yerleştirmeyin.



#### **DİKKAT! Yaralanma riski**

Cihazı konumlandırırken, herhangi bir takılarak düşme tehlikesini önlemek için tüm kabloların uygun şekilde sabitlendiğinden emin olun.



#### **İKAZ! Hasar tehlikesi**

- Cihazın hava giriş ve çıkışlarının kapalı olmadığından emin olun.
- İyi bir havalandırma sağlayın.
- Cihazı, su sıçramasına karşı korunan kuru bir yere kurun.
- Fişi prizden çıkartmak için asla kabloyu kullanmayın.
- Saklarken kabloyu gevşek bir şekilde sarın, sıkı sarma kabloya ve iç kısmına zarar verebilir.
- Cihazın derin deşarj olmasını önleyin.

## 4 Teslimat kapsamı

Miktar	Adı
1	Taşınabilir akü paketi
1	Şarj kablosu (USB-C'den USB-C'ye)
1	Araç şarj kablosu (çakmak bağlantı noktasından DC5525'e)
1	Kısa kullanım kılavuzu
1	Kullanım kılavuzu (yalnızca dijital)

## 5 Amacına Uygun Kullanım

Taşınabilir akü paketi, dijital mobil cihazları (örn. cep telefonları, tabletler, dizüstü bilgisayarlar, kameralar vb.) şarj etmek veya 12 V cihazları (örn. hava pompaları, soğutma kutuları ve diğer dış mekan ekipmanları) çalıştırmak ve el feneri olarak kullanım için tasarlanmıştır.

Taşınabilir akü paketi, örneğin gezi gibi dış mekan kullanımı için uygundur.

Taşınabilir akü paketi aşağıdakiler için **uygun** değildir

- Diğer taşınabilir akü paketleri ile paralel bağlantı
- Ticari kullanım

Bu ürün sadece amacına uygun ve bu talimata göre kullanılmalıdır.

Bu kılavuzda ürünün doğru olarak monte edilmesi ve/veya kullanılması için gerekli bilgiler verilmektedir. Doğru yapılmayan montaj veya bakım performansının yetersiz olmasına ve olası bozukluklara neden olabilir.

Üretici, aşağıdaki durumların neden olduğu yaralanmalardan veya ürün hasarlarından sorumlu değildir:

- Aşırı voltaj da dahil olmak üzere hatalı kurulum, montaj veya bağlantı
- Yanlış bakım veya üretici tarafından sağlanan orijinal yedek parçalardan başka yedek parçalar kullanılması
- Üreticisinden açıkça izin almadan cihazda değişiklikler yapılması
- Bu kılavuzda tanımlananların dışında bir amaçlar için kullanıldığında

Dometic ürünün görünümünde ve ürün özelliklerinde değişiklik yapma hakkını saklı tutar.

## 6 Teknik açıklama

### Genel açıklama

Akü paketi bir lityum demir fosfat akü ve entegre edilmiş bir LED el feneri ile donatılmıştır.

Dijital mobil cihazlar iki USB çıkışından (2 ve 4, şekil 1 sayfa 177) biriyle şarj edilebilir. Ayrıca cihaz DC çıkışı üzerinden 12 V cihazları çalıştırmak için kullanılabilir (araç şarj adaptörü için bağlantı, 5, şekil 1 sayfa 177).

Taşınabilir akü paketi USB-C girişi (2, şekil 1 sayfa 177) veya DC girişi (6, şekil 1 sayfa 177) üzerinden şarj edilebilir.

Şarj işlemi ve mevcut şarj durumu akü durum göstergesi (8, şekil 1 sayfa 177) ile görüntülenir. Akü durum göstergesi şu durumlarda etkinleştirilir:

- Akü paketi şarj edilirken.
- Akü paketine bir yük bağlandığında.
- El feneri açıldığında.

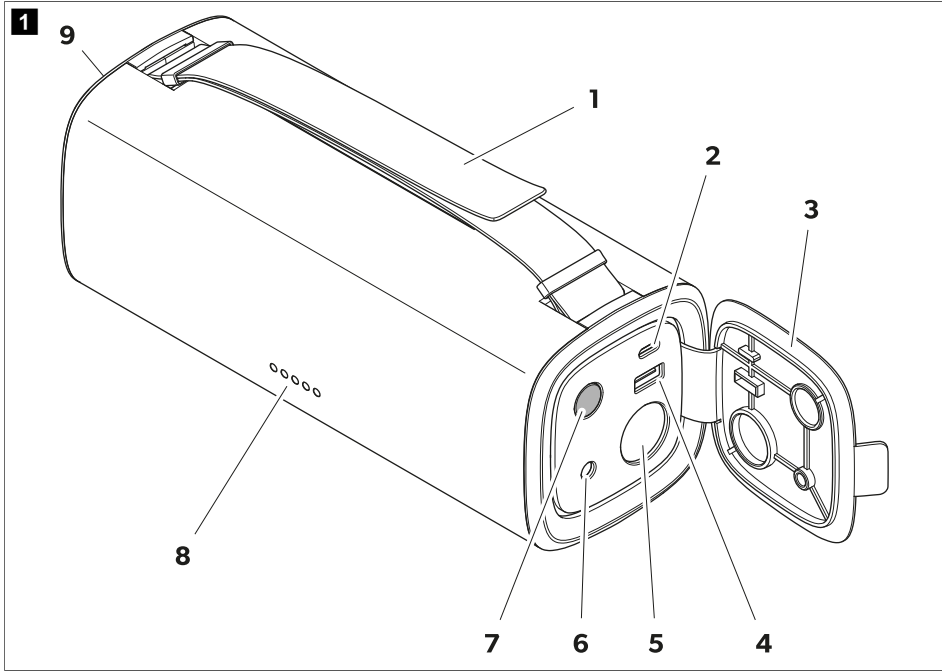
Taşınabilir akü paketi aşağıdaki koruyucu sistemlere sahiptir:

- Yüksek ve düşük sıcaklık koruması
- Aşırı akım koruması
- Girişlerde aşırı voltaj ve düşük voltaj koruması
- Çıkışlarda aşırı voltaj koruması
- Kısa devre koruması



- Aşırı şarj ve derin deşarj koruması

## Cihaz açıklaması



No.	Açıklama	No.	Açıklama
1	Ayarlanabilir taşıma kolu	6	DC5525 giriş (12 V ... 32 V)
2	USB-C giriş/ çıkış (5 V/3 A, 9 V/3 A, 12 V/3 A, 15 V/3 A, 20 V/3 A)	7	Açma/Kapama düğmesi
3	Cihaz kapağı	8	LED akü durum göstergesi
4	USB-A çıkış (5 V/2,4 A, 9 V/2 A, 12 V/1,5 A)	9	LED el feneri
5	DC çıkış (12 V/15 A)		

## 7 Kullanım



### İKAZ! Hasar tehlikesi

Her kullanımdan sonra akü paketini şarj edin.



**NOT** Aynı anda dijital mobil cihazları şarj etmek, 12 V cihazları çalıştırmak ve akü paketini şarj etmek mümkündür.

## İlk kullanım öncesi

- > İlk kullanımdan önce akü paketini tamamen şarj olana kadar şarj edin (bkz. Akü paketinin şarj edilmesi sayfa 178 bölümü).

## Akü paketinin şarj edilmesi



### İKAZ! Hasar tehlikesi

- Yeterli havalandırma sağlayın ve şarj işlemi sırasında oluşan ısının akü paketinden dağıtılabilirdiğinden emin olun.
- Araç aküsünün veya solar modülün açık devre voltajının 32 V değerini aşmadığından emin olun.

Akü paketinin gerekli şarj süresi, seçilen şarj kaynağına ve şarj girişine bağlıdır. Taşınabilir akü paketi USB-C girişi üzerinden 60 W'a kadar veya DC girişi üzerinden 100 W'a kadar şarj edilebilir. USB-C girişi ve DC girişi üzerinden aynı anda şarj ederken şarj gücü 120 W'a kadar artırılabilir.

DC girişi hem araç aküleriyle hem de güneş enerjisiyle şarjı destekler.

1. Akü paketini sağlam ve ısıya dayanıklı bir zemine koyun.
  2. Bağlantılara ve kontrollere erişmek için cihaz kapağını açın.
  3. Akü paketinin DC girişine veya USB-C girişine uygun bir güç kaynağı (örn. araç aküsü, güneş paneli) bağlayın.
- ✓ Akü durum göstergesi şarj durumunu gösterir (bkz. Şarj durumunun kontrol edilmesi sayfa 178 bölümü). Tam şarj seviyesine ulaşılan kadar bir sonraki yüksek şarj seviyesinin LED'i yanıp söner.

Akü paketi tamamen şarj olduğunda şarj işlemi otomatik olarak durur. Akü durum göstergesinin tüm LED'leri yanar.

4. Şarj ettikten sonra tüm şarj kablolarını çıkarın ve cihazın kapağını kapatın.

## Şarj durumunun kontrol edilmesi

- > Akü durum göstergesini (8, şekil 1 sayfa 177) etkinleştirmek veya devre dışı bırakmak için  düğmesine basın.



### NOT

- Yük ve şarj kaynağı bağlı değilse akü durum göstergesi otomatik olarak kapanır.
- Şarj durumu 5 %'in altına düştüğünde, LED 1 düşük akü durumunu göstermek için yanıp sönmeye başlar.

- ✓ Akü durum göstergesi 0 % (boşalmış) ve 100 % (tam dolu) arasında şarj durumunu gösterir.

Akü durum göstergesi					Akü kapasitesi
LED 1	LED 2	LED 3	LED 4	LED 5	
○	○	○	○	○	0 %
●	○	○	○	○	5 ... 20 %
●	●	○	○	○	21 ... 40 %
●	●	●	○	○	41 ... 60 %
●	●	●	●	○	61 ... 80 %
●	●	●	●	●	81 ... 100 %

## LED el fenerinin kullanımı





### **DİKKAT! Yaralanma riski**

Gözlere zarar verebileceğinden dolayı doğrudan LED el fenerine bakmaktan kaçının.



**NOT** El feneri 2 renk sıcaklığına ayarlanabilir: Nötr beyaz (4300 K'de) ve soğuk beyaz (6400 K'de).

1. Bağlantılara ve kontrollere erişmek için cihaz kapağını açın.
2. El fenerini açmak veya kapatmak için  düğmesini 3 s boyunca basılı tutun.
- ✓ Akü durum göstergesi yanar.
3. Renk sıcaklıkları arasında geçiş yapmak için  düğmesine basın.



**NOT** Yükler veya şarj kaynakları bağlıysa, soğuk beyaz renk sıcaklığı kullanılamaz ve el feneri otomatik olarak nötr beyaza ayarlanır.

4. El fenerini taşıma kolundan tutun. Taşıma kolu istenilen uzunluğa ayarlanabilir.
5. Kullandıktan sonra cihazın kapağını kapatın.

## Dijital cihazları USB üzerinden şarj etme

USB-C çıkışı 60 W şarj gücüne, USB-A çıkışı ise 18 W şarj gücüne sahiptir.



### **NOT**

- Akü paketi düşük akü durumundaysa (akü durumu < 5 %) dijital mobil cihazların şarj edilmesi mümkün değildir.
- Her iki USB çıkışı kullanılarak aynı anda iki dijital mobil cihaz şarj edilebilir.

1. Bağlantılara ve kontrollere erişmek için cihaz kapağını açın.
2. Kullanılacak USB çıkışına bağlı olarak uygun adaptörlü bir şarj kablosu seçin ve akü paketini dijital cihaza bağlayın.
- ✓ Dijital cihaz, akü paketi üzerinden otomatik olarak şarj edilir. Akü durum göstergesi akü paketinin kalan şarj durumunu gösterir.
3. Şarj ettikten sonra tüm şarj kablolarını çıkarın ve cihazın kapağını kapatın.

## 12 V cihazların çalıştırılması



### **İKAZ! Hasar tehlikesi**

Yeterli havalandırma sağlayın ve oluşan ısının akü paketinden dağıtılabilirdiğinden emin olun.



**NOT** Akü paketi düşük akü durumunda (şarj durumu < 5 %) olduğu anda 12 V cihazların çalıştırılması mümkün değildir.

DC çıkışı, 150 W değerine kadar sürekli güce sahip mobil güç kaynağı sağlar.

1. Akü paketini sağlam ve ısıya dayanıklı bir zemine koyun.
2. Bağlantılara ve kontrollere erişmek için cihaz kapağını açın.

3. 12 V cihazın güç kablosunu akü paketinin DC çıkışına bağlayın.
- ✓ 12 V cihaz, akü paketi üzerinden otomatik olarak çalışma gücü ile beslenir. Akü durum göstergesi akü paketinin kalan şarj durumunu gösterir.
4. Kullanımdan sonra, 12 V cihazın güç kablosunu bağlantısından ayırın ve akü paketinin cihaz kapağını kapatın.

## 8 Temizlik ve bakım



### UYARI! Elektrik çarpması tehlikesi

Her temizlik ve bakım işleminden önce cihazın fişini güç kaynağından ayırın.



### İKAZ! Hasar tehlikesi

- Cihazı kesinlikle akan su altında veya bulaşık suyu ile yıkamayın.
- Cihaza zarar verebileceği için temizlik sırasında keskin ya da sert nesnelere, aşındırıcı temizlik maddeleri veya çamaşır suyu kullanmayın.

- > Cihazı ara sıra yumuşak, nemli bir bezle temizleyin.
- > Akım taşıyan kabloları veya hatları düzenli olarak yalıtım hataları, kopmalar veya gevşek bağlantılar bakımından kontrol edin.

## 9 Depolama



### İKAZ! Hasar tehlikesi

- Akü paketini sadece tam şarjlı olarak depolayın. Depolanan akü paketini düzenli olarak ve en az 3-6 ayda bir, kullanılmadığında bile şarj edin.
- Yüksek ve düşük sıcaklıklarda uzun süreli depolama akü paketinin kullanım ömrünü ve performansını olumsuz etkileyebileceğinden, belirtilen optimum depolama sıcaklığına uyun.

- > Akü paketini iyi havalandırılan, kuru, toz ve kirden korunan bir yerde saklayın.
- > Akü paketinin şarj durumunu düzenli olarak kontrol edin (bkz. Şarj durumunun kontrol edilmesi sayfa 178 bölümü).

## 10 Arızaların Giderilmesi

Sorun	Neden	Çare
Akü paketi çalışmıyor. (⊕) düğmesi yanıt vermiyor.	Akü paketi tamamen boşalmış.	Akü paketini şarj edin (bkz. Akü paketinin şarj edilmesi sayfa 178 bölümü).
	Akım taşıyan kablolarda yalıtım arızaları, kopukluklar veya gevşek bağlantılar.	<ul style="list-style-type: none"> <li>&gt; Akım taşıyan kablolarda yalıtım arızaları, kopmalar veya gevşek bağlantılar olup olmadığını kontrol edin.</li> <li>&gt; Bir hata bulamazsanız, yetkili servis personeliyle iletişime geçin.</li> </ul>

Sorun	Neden	Çare
	Akü paketinin aşırı akım koruması tetiklendi. Akü paketinin kısa devre koruması tetiklendi.	<ol style="list-style-type: none"> <li>1. USB-C, USB-A ve DC çıkışlarındaki yükleri çıkarın.</li> <li>2. Cihazları yeniden bağlarken çıkışların maksimum yüküne dikkat edin (bkz. Teknik Bilgiler sayfa 181 bölümü).</li> <li>3. Cihazları bağladıktan hemen sonra şarj işlemi yeniden başlamazsa, yeniden etkinleştirmek için akü paketini şarj edin (bkz. Akü paketinin şarj edilmesi sayfa 178 bölümü).</li> </ol>

## 11 Atık İmhası



Ambalaj malzemesi geri dönüşümü: Ambalaj malzemesini mümkünse ilgili geri dönüşüm atık sistemine kazandırın.



Değiştirilemeyen piller, şarj edilebilir piller veya ışık kaynakları içeren ürünlerin geri dönüştürülmesi:

- Ürün, değiştirilemeyen piller, şarj edilebilir piller veya ışık kaynakları içeriyorsa, bunları bertaraf etmeden önce çıkarmanıza gerek yoktur.
- Bu ürünü nihai olarak imha etmek istiyorsanız, bu işlemin geçerli imha yönetmeliklerine göre nasıl yapılacağı hakkında ayrıntılı bilgi için yerel geri dönüşüm merkezine veya uzman satıcınıza danışın.
- Ürün ücretsiz olarak imha edilebilir.

## 12 Garanti

Yasal garanti süresi geçerlidir. Üründe hasar varsa üreticinin ülkenizdeki şubesi (bkz. [dometic.com/dealer](http://dometic.com/dealer)) veya satıcınıza iletişime geçin.


Onarım ve garanti işlemleri için, cihazı aşağıdaki dokümanlarla birlikte gönderin:

- Satın alma tarihini içeren faturanın bir kopyası
- Talebinizin nedeni veya hatanın açıklanması

Kendi kendine onarımın veya profesyonel olmayan onarımın güvenlikle ilgili sonuçları olabileceğini ve garantiye geçersiz kılabileceğini unutmayın.

## 13 Teknik Bilgiler

Akü paketi	
Akü tipi	Lityum demir fosfat/LiFePO <sub>4</sub>
Nominal akü kapasitesi	15 Ah
Nominal akü voltajı	12,8 V <sub>nom</sub>

<b>USB-A çıkışı</b>	
Çıkış gerilimi / nominal akım	5 V <sub>DC</sub> /2,4 A, 9 V <sub>DC</sub> /2 A, 12 V <sub>DC</sub> /1,5 A
<b>USB-C çıkış / giriş</b>	
Şarj etme voltaj aralığı	5 ... 20 V <sub>DC</sub>
Giriş akımı	3 A
<b>DC çıkışı</b>	
Çıkış voltajı	12 V <sub>DC</sub>
Anma akımı	15 A
<b>DC girişi</b>	
Şarj etme voltaj aralığı	12 ... 32 V <sub>DC</sub>
Maksimum giriş akımı	5,5 A
<b>LED el feneri</b>	
Soğuk beyaz	
<ul style="list-style-type: none"> <li>LED aydınlatma gücü</li> <li>Lümen</li> </ul>	<p>4,5 W ± 0,5 W</p> <p>160 lm ± 10 lm</p>
Nötr beyaz	
<ul style="list-style-type: none"> <li>LED aydınlatma gücü</li> <li>Lümen</li> </ul>	<p>2,5 W ± 0,5 W</p> <p>50 lm ± 10 lm</p>
<b>Genel teknik veriler</b>	
İşletim için ortam sıcaklığı	-10 °C ... 45 °C
Şarj etme sıcaklığı	0 °C ... 45 °C
Depolama sıcaklığı aralığı	-20 °C ... 60 °C
25 °C'de maksimum kendi kendine deşarj oranı	Aylık 5 %
Ortam nemi	≤ 95 %, yoğuşmasız
Koruma sınıfı	IP 44
Kullanım ömrü	2000 şarj etme döngüsü
Boyutlar (GxYxD)	85 × 222 × 85 mm
Ağırlık	1,8 kg
Test/sertifika	

## Slovenščina

1	Pomembna obvestila.....	183
2	Razlaga simbolov.....	183
3	Varnostni napotki.....	184
4	Obseg dobave.....	185
5	Predvidena uporaba.....	186
6	Tehnični opis.....	186
7	Uporaba.....	187
8	Čiščenje in vzdrževanje.....	190
9	Shranjevanje.....	190
10	Odp ravljanje težav.....	190
11	Odstranjevanje.....	191
12	Garancija.....	191
13	Tehnični podatki.....	191

## 1 Pomembna obvestila

Pozorno preberite in upoštevajte vsa navodila, smernice in opozorila iz tega priročnika, da zagotovite pravilno vgradnjo, uporabo in vzdrževanje izdelka. Ta navodila MORATE hraniti skupaj z izdelkom.

Z uporabo izdelka potrjujete, da ste pozorno prebrali vsa navodila, smernice in opozorila ter razumete in upoštevate vsa določila ter pogoje v tem dokumentu. Strinjate se, da boste izdelek uporabljali samo za predvideni namen uporabe in v skladu z navodili, smernicami in opozorili v tem priročniku ter v skladu z vsemi veljavnimi zakoni in predpisi. Če navodil in opozoril v nadaljevanju ne preberete in ne upoštevate, boste morda poškodovali izdelek ali povzročili materialno škodo v bližini. Prizadjemo si pravico do sprememb in posodobitev priročnika, vključno z navodili, smernicami in opozorili ter povezano dokumentacijo. Za najnovejše informacije o izdelku obiščite [documents.dometi.com](http://documents.dometi.com).

## 2 Razlaga simbolov



### **OPOZORILO!**

Označuje nevarno situacijo, ki lahko povzroči smrt ali hude poškodbe, če ni preprečena.



### **POZOR!**

Označuje nevarno situacijo, ki lahko povzroči lažje ali zmerne poškodbe, če ni preprečena.



### **OBVESTILO!**

Označuje nevarno situacijo, ki lahko povzroči materialno škodo, če ni preprečena.



**NASVET** Dodatne informacije za upravljanje izdelka.

## 3 Varnostni napotki

### Osnovna varnost



#### OPOZORILO! Nevarnost električnega udara

- Če na napravi opazite vidne znake poškodb, je ne uporabljajte.
- Napravo sme popravljati samo usposobljeno osebje. Nepravilna popravila lahko povzročijo velika tveganja.
- Naprave ne razstavlajte.
- Na noben način ne spreminjajte ali prilagajajte nobene komponente.
- Uporabljajte samo dodatke in rezervne dele, ki jih priporoča proizvajalec.
- Naprave ne uporabljajte v mokrih pogojih ali je ne potaplajte v tekočine. Hranite na suhem mestu.
- Izklopite napravo in jo odklopite iz napajanja, preden se lotite čiščenja ali vzdrževanja in po vsaki uporabi.



#### OPOZORILO! Nevarnost poškodb

Baterije vsebujejo agresivne in jedke kisline. Baterijska tekočina ne sme priti v stik s telesom. Če pride vaša koža v stik z baterijsko tekočino, ta del telesa temeljito sperite z vodo. Če utrpite poškodbe zaradi kislin, takoj obiščite zdravnika.



#### OPOZORILO! Nevarnost za zdravje

- Baterij ne odpirajte, ne poškodujte in ne dovolite, da pridejo v okolje, saj vsebujejo strupene in okolijsko škodljive težke kovine.
- To napravo smejo uporabljati otroci, ki so starejši od 8 let, in osebe z zmanjšanimi fizičnimi, zaznavnimi ali duševnimi sposobnostmi ali s pomanjkljivimi izkušnjami in znanjem, če so nadzorovani ali so prejeli navodila glede varne uporabe naprave in razumejo s tem povezana tveganja.
- **Električne naprave niso otroške igrače.** Napravo zato uporabljajte in shranjujte izven dosega otrok.
- Otroke je treba nadzorovati in tako zagotoviti, da se z napravo ne bodo igrali.
- Otroci ne smejo brez nadzora izvajati čiščenja in vzdrževalnih del.



#### OBVESTILO! Nevarnost poškodb

- Pred zagonom preverite, ali se podatki o napetosti na podatkovni ploščici ujemajo s podatki na napajanju.
- Zagotovite, da drugi predmeti **ne** morejo povzročiti kratkega stika na kontaktih naprave.
- Negativni in pozitivni pol se **ne smeta** nikoli stikati.
- Kablov ne uporabljajte za nošenje.

### Varnost pri delovanju naprave



#### POZOR! Nevarnost eksplozije

- Naprave **ne** uporabljajte v naslednjih pogojih:
  - v slanih, mokrih ali vlažnih okoljih,
  - v bližini korozivnih hlapov,
  - v bližini vnetljivih materialov,
  - na območjih, kjer obstaja nevarnost eksplozije plina ali prahu.



- Nikoli ne skušajte polniti zamrznjene ali poškodovane baterije. Baterijo odložite na območje brez zmrzovanja in počakajte, da se ogreje na prostorsko temperaturo.
- Naprave ne namestite v bližino toplotnih virov (grelcev, neposredne sončne svetlobe, plinskih peči itd.).
- V bližini baterije je prepovedano kaditi, uporabljati odprt ogenj ali povzročati iskre.
- Naprave med uporabo ne puščajte brez nadzora.



#### **POZOR! Nevarnost električnega udara**

- Pred zagonom naprave preverite, ali sta napajalni kabel in vtič suha ter na vtiču ni rje ali umazanije.
- Ko delate na električnih sistemih, mora biti v bližini vedno nekdo, ki vam lahko pomaga v nujnih primerih.
- Kable speljite tako, da jih ostri robovi, vrata ali pokrov ne morejo poškodovati. Kabel mora biti speljan tako, da **ni** močno upognjen. Zaradi stisnjenih kablov lahko pride do hudih poškodb.
- Ne odklapljajte kablov, ko je naprava še v uporabi.



#### **POZOR! Nevarnost požara**

- Napravo zaščitite pred padci in udarci ter ne uporabljajte prekomerne sile, da ne poškodujete njenih zunanjih in notranjih delov.
- Naprave ne postavljajte v bližino vnetljivih materialov.



#### **POZOR! Nevarnost poškodb**

Pri postavljanju naprave se prepričajte, da so vsi kabli ustrezno pritrjeni, da preprečite kakršnokoli nevarnost spotikanja.



#### **OBVESTILO! Nevarnost poškodb**

- Zagotovite, da dovodi in izpusti za zrak na napravi ne bodo zakriti.
- Zagotovite dobro prezračevanje.
- Napravo postavite v suh prostor, kjer je zaščitena pred škropljenjem vode.
- Vtiča iz vtičnice nikoli ne vlecite tako, da držite za kabel.
- Pred shranjevanjem kabel ohlapno ovijte, saj se pri tesnem ovijanju lahko poškoduje kabel in notranji deli.
- Preprečite globoko izpraznitev naprave.

## 4 Obseg dobave

Količina	Opis
1	Prenosna baterija
1	Polnilni kabel (USB-C v USB-C)
1	Avtomobilski polnilni kabel (vtičnica vžigalnika za cigarete v DC5525)
1	Kratka navodila za uporabo
1	Navodila za uporabo (samo digitalna)

## 5 Predvidena uporaba

Prenosna baterija je predvidena za polnjenje digitalnih mobilnih naprav (npr. mobilnih telefonov, tablic, prenosnih računalnikov, fotoaparotov idr.) ali za napajanje 12 V-naprav (npr. zračnih črpalk, hladilnih skrinj in druge opreme za uporabo na prostem), uporabljate pa jo lahko tudi kot svetilko.

Prenosna baterija je primerna za uporabo na prostem, npr. na potovanju.

Prenosna baterija **ni** primerna za:

- vzporedno priključitev v kombinaciji z drugimi prenosnimi baterijami;
- komercialno uporabo.

Ta izdelek je primeren samo za predvideni namen in uporabo v skladu s temi navodili.

V tem priročniku so navedene informacije, ki jih je treba upoštevati za pravilno vgradnjo in/ali delovanje izdelka. Aparat zaradi slabe vgradnje in/ali nepravilne uporabe oziroma vzdrževanja ne bo dobro deloval in se lahko pokvari.

Proizvajalec ne sprejema nobene odgovornosti za telesne poškodbe ali poškodbe izdelka, do katerih pride zaradi:

- napačne namestitve, sestave ali priklopa, vključno s previsoko napetostjo;
- neustreznih vzdrževalnih del ali uporabe neoriginalnih nadomestnih delov, ki jih ni dobavil proizvajalec;
- sprememb izdelka brez izrecnega dovoljenja proizvajalca;
- uporabe za namene, ki niso opisani v navodilih.

Družba Dometic si pridržuje pravico do spremembe videza in specifikacij izdelka.

## 6 Tehnični opis

### Splošni opis

Ta baterija ima baterijo litij-železovega fosfata in vgrajeno LED-svetilko.

Digitalne mobilne naprave je mogoče polniti na enem od dveh izhodov USB (**2 in 4**, sl. **1** na strani 187). Z napravo je mogoče tudi napajati 12 V naprave prek izhoda za enosmerni tok (priključek za avtomobilski polnilnik, **5**, sl. **1** na strani 187).

Prenosno baterijo je mogoče polniti prek vhoda USB-C (**2**, sl. **1** na strani 187) ali vhoda za enosmerni tok (**6**, sl. **1** na strani 187).

Indikator stanja baterije prikazuje postopek polnjenja in trenutno stanje napoljenosti (**8**, sl. **1** na strani 187). Indikator stanja baterije se aktivira:

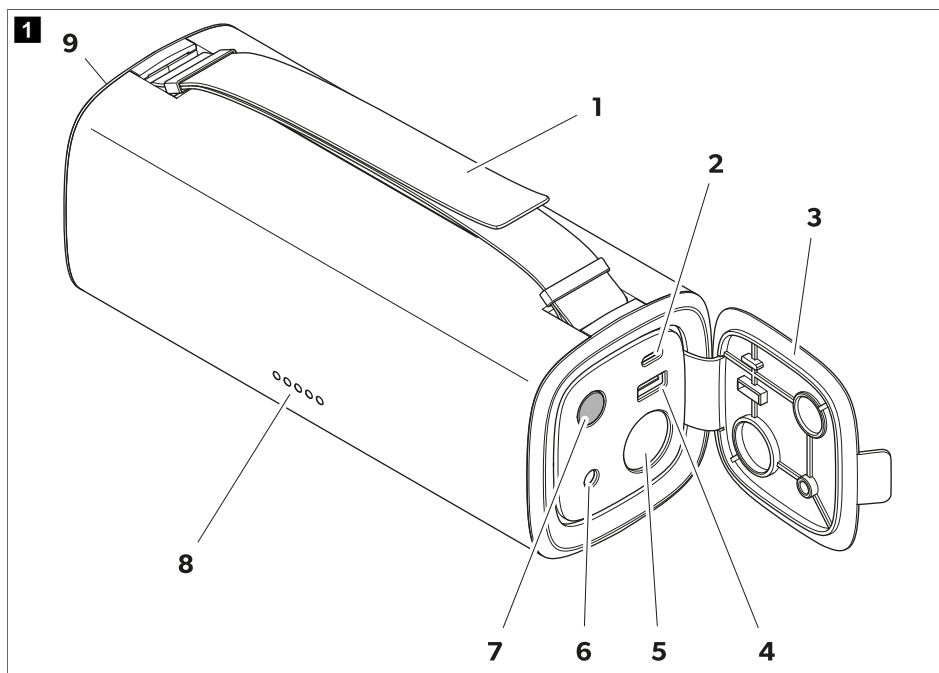
- ko se baterija polni;
- ko na baterijo priključite porabnika;
- ko vklopite svetilko.

Prenosna baterija ima te zaščitne mehanizme:

- zaščita pred visokimi in nizkimi temperaturami,
- nadtokovna zaščita,
- prenapetostna in podnapetostna zaščita na vseh vhodih,
- prenapetostna zaščita na izhodih,

- zaščita pred kratkim stikom,
- zaščita pred prenapoljenostjo in globokim praznjenjem.

## Opis naprave



Št.	Razlaga	Št.	Razlaga
1	Nastavljiv nosilni ročaj	6	Vhod DC5525 (12 V ... 32 V)
2	Vhod/izhod USB-C (5 V/3 A, 9 V/3 A, 12 V/3 A, 15 V/3 A, 20 V/3 A)	7	Gumb za vklop/izklop
3	Pokrov naprave	8	LED-indikator stanja baterije
4	Izhod USB-A (5 V/2,4 A, 9 V/2 A, 12 V/1,5 A)	9	LED-svetilka
5	Izhod za enosmerni tok (12 V/15 A)		

## 7 Uporaba



### OBVESTILO! Nevarnost poškodb

Baterijo po vsaki uporabi napolnite.



**NASVET** Istočasno lahko polnite mobilne naprave, napajate 12 V naprave in polnite baterijo.

## Pred prvo uporabo

- > Baterijo pred prvo uporabo napolnite do konca (glejte poglavje Polnjenje baterije na strani 188).

## Polnjenje baterije



### OBVESTILO! Nevarnost poškodb

- Poskrbite za ustrezno prezračevanje, da se bo lahko toplota, ki nastaja pri polnjenju, odvajala od baterije.
- Napetost odprtega tokokroga (Voc) na akumulatorju vozila ali fotonapetostnem modulu ne presega 32 V.

Čas, ki ga potrebuje baterija, da se napolni, je odvisen od izbranega vira polnjenja in vhoda za polnjenje. Prenosna baterije je prek vhoda USB-C mogoče napolniti do 60 W, prek vhoda za enosmerni tok pa do 100 W. Ko polnjenje istočasno poteka prek vhoda USB-C in vhoda za enosmerni tok, je mogoče moč polnjenja povečati na največ 120 W.

Vhod na enosmerni tok omogoča polnjenje z akumulatorjem vozila in polnjenje s sončno energijo.

1. Baterijo postavite na trdno podlago, odporno na toploto.
  2. Odprite pokrov naprave, da boste imeli dostop do priključkov in upravljalnih elementov.
  3. Vhod za enosmerni tok oz. vhod USB-C na bateriji priključite v ustrezen vir napajanja (npr. v akumulator vozila, fotonapetostni modul).
- ✓ Indikator stanja baterije prikazuje stanje napoljenosti (glejte poglavje Preverjanje stanja napoljenosti na strani 188). LED-lučka za višjo raven polnjenja utripa, dokler se naprava ne napolni do konca.

Polnjenje se samodejno prekine, ko se baterija napolni do konca. Svetijo vse LED-lučke indikatorja stanja baterije.

4. Ko se polnjenje konča, odstranite vse polnilne kable in zaprite pokrov naprave.

## Preverjanje stanja napoljenosti

- > Pritisnite gumb , da aktivirate oz. deaktivirate indikator stanja baterije (**8**, sl. **1** na strani 187).



### NASVET

- Indikator stanja baterije se samodejno izklopi, če porabnik in vir napajanja nista priključena.
- Ko stanje napoljenosti pade pod 5 %, LED-lučka 1 začne utripati, kar pomeni, da je baterija skoraj prazna.

- ✓ Indikator stanja baterije prikazuje stanje napoljenosti med 0 % (prazno) in 100 % (napolnjeno do konca).

Indikator stanja baterije					Zmogljivost baterije
LED 1	LED 2	LED 3	LED 4	LED 5	
○	○	○	○	○	0 %
●	○	○	○	○	5 ... 20 %
●	●	○	○	○	21 ... 40 %
●	●	●	○	○	41 ... 60 %
●	●	●	●	○	61 ... 80 %
●	●	●	●	●	81 ... 100 %

## Uporaba LED-svetilke





### **POZOR! Nevarnost poškodb**

Ne glejte neposredno v LED-svetilko, saj si lahko poškodujete oči.



**NASVET** Za svetilko je mogoče nastaviti 2 barvni temperaturi: Nevtralno bela (pri 4300 K) in hladno bela (pri 6400 K).

1. Odprite pokrov naprave, da boste imeli dostop do priključkov in upravljalnih elementov.
  2. Pritisnite gumb  in ga pridržite za 3 s, da vklopite oz. izklopite svetilko.
- ✓ Indikator stanja baterije sveti.
3. Pritisnite gumb , da nastavite eno ali drugo barvno temperaturo.



**NASVET** Če so priključeni porabniki ali viri napajanja, hladno bela barvna temperatura ni na voljo, barvna temperatura svetilke pa se samodejno nastavi na nevtralno belo.

4. Svetilko držite za nosilni ročaj. Nosilni ročaj je mogoče nastaviti na ustrezno dolžino.
5. Pokrov naprave po uporabi zaprite.

## Polnjenje digitalnih naprav prek USB-ja

Izhod USB-C ima moč polnjenja 60 W, izhod USB-A pa 18 W.



### **NASVET**

- Digitalnih mobilnih naprav ni mogoče polniti, če je baterija skoraj prazna (stanje napolnjenosti < 5 %).
- Dve digitalni mobilni napravi lahko hkrati polnite z obema izhodoma USB.

1. Odprite pokrov naprave, da boste imeli dostop do priključkov in upravljalnih elementov.
  2. Izberite polnilni kabel, katerega adapter ustreza izhodu USB, ki bo v uporabi, in priključite baterijo na digitalno napravo.
- ✓ Digitalna naprava se samodejno polni iz baterije. Indikator stanja baterije prikazuje preostalo stanje napolnjenosti baterije.
3. Ko se polnjenje konča, odstranite vse polnilne kable in zaprite pokrov naprave.

## Napajanje 12-V naprav



### **OBVESTILO! Nevarnost poškodb**

Poskrbite za ustrezno prezračevanje, da se bo lahko nastala toplota odvajala od baterije.



**NASVET** 12 V-naprav ni mogoče napajati, če je baterija skoraj prazna (stanje napolnjenosti < 5 %).

Izhod za enosmerni tok lahko dovaja do 150 W neprekinjenega napajanja.

1. Baterijo postavite na trdno podlago, odporno na toploto.
2. Odprite pokrov naprave, da boste imeli dostop do priključkov in upravljalnih elementov.

3. Električni kabel 12 V-naprave priključite v izhod za enosmerni tok na bateriji.
- ✓ V 12 V-napravo se za napajanje samodejno dovaja električna energija iz baterije. Indikator stanja baterije prikazuje preostalo stanje napoljenosti baterije.
4. Električni kabel 12 V-naprave po uporabi odklopite in zaprite pokrov na bateriji.

## 8 Čiščenje in vzdrževanje



### OPOZORILO! Nevarnost električnega udara

Pred čiščenjem in vzdrževanjem odklopite napravo iz napajanja.



### OBVESTILO! Nevarnost poškodb

- Naprave ne čistite pod tekočo vodo ali v vodi za pomivanje posode.
  - Za čiščenje ne uporabljajte trdih predmetov, grobih čistilnih sredstev ali belila, saj lahko poškodujete napravo.
- > Napravo občasno očistite z mehko, vlažno krpo.
- > Redno preverjajte, ali je izolacija kablov ali vodov pod napetostjo poškodovana oz. ali so kablji oz. vodi pretrgani ali slabo priključeni.


## 9 Shranjevanje



### OBVESTILO! Nevarnost poškodb

- Baterijo obvezno hranite napolnjeno. Shranjeno baterijo redno znova napolnite vsakih 3–6 mesecev, tudi če je ne uporabljate.
  - Upoštevajte navedeno optimalno temperaturo shranjevanja, saj lahko dolgotrajno shranjevanje pri visokih in nizkih temperaturah skrajša življenjsko dobo in poslabša zmogljivost baterije.
- > Baterijo hranite v dobro prezračevanem in suhem prostoru, kjer je zaščiten pred prahom in umazanijo.
- > Redno preverjajte stanje napoljenosti baterije (glejte poglavje Preverjanje stanja napoljenosti na strani 188).

## 10 Odpravljanje težav

Motnja	Možni vzrok	Rešitev
Baterija ne deluje. Gumb  se ne odziva.	Baterija je povsem izpraznjena.	Napolnite baterijo (glejte poglavje Polnjenje baterije na strani 188).
	Napake na izolaciji, zlomi ali ohlapne povezave kablov pod napetostjo.	<ul style="list-style-type: none"> <li>&gt; Preverite, ali je izolacija kablov pod napetostjo poškodovana oz. ali so kablji pretrgani ali slabo priključeni.</li> <li>&gt; Če ne morete najti težave, se obrnite na pooblaščenega serviserja.</li> </ul>

Motnja	Možni vzrok	Rešitev
	Sprožila se je nadtokovna zaščita baterije. Sprožila se je zaščita pred kratkim stikom baterije.	<ol style="list-style-type: none"> <li>Odklopite porabnike iz izhodov USB-C in USB-A ter izhodna za enosmerni tok.</li> <li>Upoštevajte največjo obremenitev izhodov (glejte poglavje Tehnični podatki na strani 191), ko boste naprave znova priklopili.</li> <li>Če se polnjenje takoj ne začne znova, potem ko priklopite naprave, napolnite baterijo, da jo znova aktivirate (glejte poglavje Polnjenje baterije na strani 188).</li> </ol>

## 11 Odstranjevanje



Recikliranje embalažnega materiala: Embalažni material odstranite v primerne zabojnike za recikliranje odpadkov, če je to mogoče.



Recikliranje izdelkov z vgrajenimi baterijami, baterijami za ponovno polnjenje ali svetlobnimi viri:

- Če ima izdelek vgrajene baterije, baterije za ponovno polnjenje ali svetlobne vire, jih pred odstranjevanjem ni treba odstraniti.
- Ko boste želeli izdelek dokončno odstraniti, se o odstranjevanju v skladu z veljavnimi predpisi pozanimajte pri lokalnem centru za zbiranje odpadkov ali specializiranem prodajalcu.
- Izdelek je mogoče brezplačno odstraniti.

## 12 Garancija

Velja zakonsko določeni garancijski rok. Če je izdelek pokvarjen, se obrnite na podružnico proizvajalca v svoji državi (glejte [dometic.com/dealer](http://dometic.com/dealer)) ali na prodajalca.


Za obravnavanje zahtevkov popravil oz. garancijskih zahtevkov morate skupaj z aparatom poslati naslednjo dokumentacijo:

- kopijo računa z datumom nakupa,
- razlog za reklamacijo ali opis napake.

Upoštevajte, da lahko imajo lastnoročna ali neprofesionalna popravila varnostne posledice in lahko razveljavijo garancijo.

## 13 Tehnični podatki

Baterija	
Vrsta baterije	Litij-železov fosfat/LiFePO4
Nazivna kapaciteta baterije	15 Ah

Nazivna napetost baterije	12,8 V <sup>===</sup>
<b>Izhod USB-A</b>	
Izhodna napetost/nazivni tok	5 V <sup>===</sup> /2,4 A, 9 V <sup>===</sup> /2 A, 12 V <sup>===</sup> /1,5 A
<b>Vhod/izhod USB-C</b>	
Območje polnilne napetosti	5 ... 20 V <sup>===</sup>
Vhodni tok	3 A
<b>DC izhod</b>	
Izhodna napetost	12 V <sup>===</sup>
Naznačen tok	15 A
<b>Vhod DC</b>	
Območje polnilne napetosti	12 ... 32 V <sup>===</sup>
Največji vhodni tok	5,5 A
<b>LED-svetilka</b>	
Hladno bela	
<ul style="list-style-type: none"> <li>Moč LED</li> <li>lumni</li> </ul>	<p>4,5 W ± 0,5 W</p> <p>160 lm ± 10 lm</p>
Nevtralno bela	
<ul style="list-style-type: none"> <li>Moč LED</li> <li>lumni</li> </ul>	<p>2,5 W ± 0,5 W</p> <p>50 lm ± 10 lm</p>
<b>Splošni tehnični podatki</b>	
Temperatura okolice za delovanje	-10 °C ... 45 °C
Temperatura polnjenja	0 °C ... 45 °C
Območje temperature skladiščenja	-20 °C ... 60 °C
Največja stopnja samopraznjenja pri 25 °C	5 % na mesec
Vlažnost okolice	≤ 95 %, brez kondenziranja
Vrsta zaščite	IP 44
Življenjska doba	2000 ciklov polnjenja
Mere (ŠxVxG)	85 × 222 × 85 mm
Masa	1,8 kg
Preizkus/certifikati	



## Română

1	Observații importante.....	193
2	Explicația simbolurilor.....	193
3	Instrucțiuni de siguranță.....	194
4	Domeniul de livrare.....	195
5	Domeniul de utilizare.....	196
6	Descriere tehnică.....	196
7	Utilizarea.....	198
8	Curățarea și întreținerea.....	200
9	Stocarea.....	200
10	Remedierea defectăunilor.....	201
11	Eliminarea.....	201
12	Garanție.....	201
13	Date tehnice.....	202

## 1 Observații importante

Cititi cu atenție și respectați toate instrucțiunile, indicațiile și avertismentele incluse în acest manual de produs pentru a vă asigura că instalați, utilizați și întrețineți produsul în permanență. Aceste instrucțiuni TREBUIE păstrate cu acest produs.

Prin utilizarea produsului, confirmați că ați citit cu atenție toate instrucțiunile, indicațiile și avertismentele și că înțelegeți și sunteți de acord să respectați termenii și condițiile stabilite. Sunteți de acord să utilizați acest produs numai pentru scopul și aplicația prevăzute și în conformitate cu instrucțiunile, indicațiile și avertismentele prezentate în acest manual de produs, precum și în conformitate cu toate legile și reglementările aplicabile. Nerespectarea instrucțiunilor și avertismentelor prezentate aici poate duce la vătămarea personală a utilizatorului sau a altora, la deteriorarea produsului sau a altor bunuri din apropiere. Acest manual al produsului, inclusiv instrucțiunile, indicațiile și avertismentele și documentația aferentă pot fi supuse modificărilor și actualizărilor. Pentru informații actualizate despre produs, vă rugăm să vizitați [documents.dometic.com](http://documents.dometic.com).

## 2 Explicația simbolurilor



### AVERTIZARE!

Indică o situație periculoasă care, dacă nu este evitată, poate provoca moartea sau răni grave.



### PRECAUȚIE!

Indică o situație periculoasă care, dacă nu este evitată, poate provoca răni minore sau medii.



### ATENȚIE!

Indică o situație care, dacă nu este evitată, poate duce la pagube materiale.



**INDICAȚIE** Informații complementare privind operarea produsului.

## 3 Instrucțiuni de siguranță

### Informații generale de siguranță



#### AVERTIZARE! Pericol de electrocutare

- În cazul în care prezintă defecțiuni vizibile, nu este permisă punerea aparatului acestuia în funcțiune.
- Dispozitivul poate fi reparat doar de către personal calificat. Reparațiile necorespunzătoare pot duce la riscuri considerabile.
- Nu dezasamblați dispozitivul.
- Nu modificați sau adaptați nicio componentă în niciun fel.
- Folosiți doar accesorii și piese de schimb care au fost recomandate de producător.
- Nu folosiți dispozitivul în condiții de umezeală și nu îl scufundați în niciun lichid. A se depozita într-un loc uscat.
- Opriti dispozitivul și deconectați-l de la sursa de alimentare înainte de curățare sau întreținere și după fiecare utilizare.



#### AVERTIZARE! Risc de vătămare

Bateriile conțin acizi agresivi și caustici. Evitați contactul lichidului de baterie cu corpul dvs. Dacă pielea dvs. intră în contact cu lichidul de baterie, spălați temeinic cu apă acea parte a corpului. Dacă suferiți răni de la acizi, contactați imediat un medic.



#### AVERTIZARE! Pericol pentru sănătate

- Nu deschideți și nu deteriorați bateriile; nu permiteți ca acestea să ajungă în mediu, deoarece conțin metale grele toxice și care dăunează mediului.
- Acest aparat poate fi utilizat de copiii cu vârsta de peste 8 ani și de către persoane cu capacități fizice, senzoriale sau mentale reduse sau de către persoane lipsite de experiență și cunoștințe dacă acestea au fost supravegheate și instruite cu privire la utilizarea aparatului în condiții de siguranță și înțeleg riscurile pe care le implică.
- **Aparatele electrice nu reprezintă jucării pentru copii!** Păstrați și folosiți întotdeauna dispozitivul la distanță de copii mici.
- Copiii trebuie supravegheați pentru a nu se juca cu aparatul.
- Curățarea și operațiunile de întreținere nu trebuie efectuate de copii fără supraveghere.



#### ATENȚIE! Pericol de defectare

- Înainte de pornire, asigurați-vă că indicația tensiunii de pe eticheta de tip coincide cu cea a sursei de alimentare.
- Asigurați-vă că alte obiecte **nu pot** provoca un scurtcircuit la contactele dispozitivului.
- Asigurați-vă că polii negativi și pozitivi nu intră **niciodată** în contact.
- Nu folosiți cablurile pe post de mâner.

### Securitatea la exploatarea aparatului



#### PRECAUȚIE! Pericol de explozie

- **Nu** folosiți dispozitivul în următoarele condiții:
  - în medii sărate, ude sau umede
  - în apropierea aburilor corozivi

în apropierea materialelor combustibile  
în zone în care există risc de explozie de gaze sau pulberi

- Nu încercați niciodată să încărcați o baterie înghețată sau defectă. Amplasați acumulatorul într-o zonă fără îngheț și așteptați până când bateria s-a aclimatizat la temperatura ambiantă.
- Nu amplasați dispozitivul lângă surse de căldură (încălzitoare, lumina directă a soarelui, cuptoare cu gaz etc.).
- Nu fumați, nu folosiți o flacăra deschisă și nu provocați scânteii în apropierea acumulatorului.
- Nu lăsați dispozitivul nesupravegheat când este în uz.



#### **PRECAUȚIE! Pericol de electrocutare**

- Înainte de a porni dispozitivul, asigurați-vă că cablul de alimentare și fișa sunt uscate și fișa nu prezintă rugină sau murdărie.
- Când lucrați la sisteme electrice, asigurați-vă că există cineva în apropiere care poate ajuta în caz de urgență.
- Dispuneți cablurile astfel încât să nu poată fi deteriorate de muchii ascuțite, uși sau capotă. **Nu** dispuneți niciun cablu astfel încât să fie puternic îndoit. Cablurile strivite pot duce la vătămări corporale grave.
- Nu deconectați niciun cablu atunci când dispozitivul este încă în uz.



#### **PRECAUȚIE! Pericol de incendiu**

- Nu scăpați, nu loviți și nu aplicați forță excesivă asupra dispozitivului, pentru a evita deteriorarea componentelor externe și interne.
- Nu așezați dispozitivul în apropierea materialelor inflamabile.



#### **PRECAUȚIE! Risc de vătămare**

Când amplasați dispozitivul, asigurați-vă că toate cablurile sunt fixate corespunzător pentru a evita orice formă de pericol de împiedicare.



#### **ATENȚIE! Pericol de defectare**

- Asigurați-vă că admisile și evacuările de aer ale dispozitivului nu sunt acoperite.
- Asigurați o bună aerisire.
- Instalați dispozitivul într-un loc uscat, unde este protejat împotriva stropilor de apă.
- Nu scoateți niciodată ștecherul din priză ținând de cablu.
- Strângeți cablul larg în vederea depozitării; dacă este prea strâns, cablul sau componentele interne se pot deteriora.
- Evitați descărcarea profundă a dispozitivului.

## **4 Domeniul de livrare**

<b>Numărul</b>	<b>Denumire</b>
1	Acumulator portabil
1	Cablul de încărcare (USB-C la USB-C)
1	Cablul de încărcare auto (mufă tip brichetă la DC5525)
1	Manual scurt de utilizare

Numărul	Denumire
1	Manual de utilizare (doar digital)

## 5 Domeniul de utilizare

Acumulatorul portabil este destinat încărcării dispozitivelor mobile digitale (de ex., telefoane mobile, tablete, laptopuri, aparate foto) sau acționării dispozitivelor de 12 V (de ex., pompe de aer, cutii frigorifice și alte echipamente de exterior) și utilizării ca lanternă.

Acumulatorul portabil este adecvat pentru utilizare la exterior, de ex., în turism.

Acumulatorul portabil **nu** este adecvat pentru

- Conexiune în paralel cu alți acumulatori portabili
- Utilizare comercială

Acest produs este potrivit numai pentru scopul și utilizarea prevăzute în conformitate cu aceste instrucțiuni.

Acest manual oferă informații necesare pentru instalarea și/sau utilizarea corectă a produsului. Instalarea defectuoasă și/sau utilizarea sau întreținerea necorespunzătoare vor avea ca rezultat performanțe nesatisfăcătoare și o posibilă defectare.

Producătorul nu își asumă nicio răspundere pentru orice vătămare sau deteriorare a produsului - rezultate din:

- Instalarea, asamblarea sau conectarea incorectă, inclusiv supratensiunea
- Întreținerea sau utilizarea incorectă a pieselor de schimb, altele decât piesele de schimb originale furnizate de producător
- Modificări aduse produsului fără aprobarea explicită din partea producătorului
- Utilizarea în alte scopuri decât cele descrise în manual

Dometic își rezervă dreptul de a modifica aspectul și specificațiile produsului.

## 6 Descriere tehnică

### Descriere generală

Acumulatorul este echipat cu o baterie litiu fier fosfat și cu o lanternă LED integrată.

Dispozitivele mobile digitale pot fi încărcate printr-una dintre cele două ieșiri USB (2 și 4, fig. 1 pagină 197). În plus, dispozitivul poate fi folosit pentru a acționa dispozitive de 12 V prin ieșirea c.c. (conexiune pentru adaptor de încărcare auto, 5, fig. 1 pagină 197).

Acumulatorul portabil poate fi încărcat prin intrarea USB-C (2, fig. 1 pagină 197) sau intrarea c.c. (6, fig. 1 pagină 197).

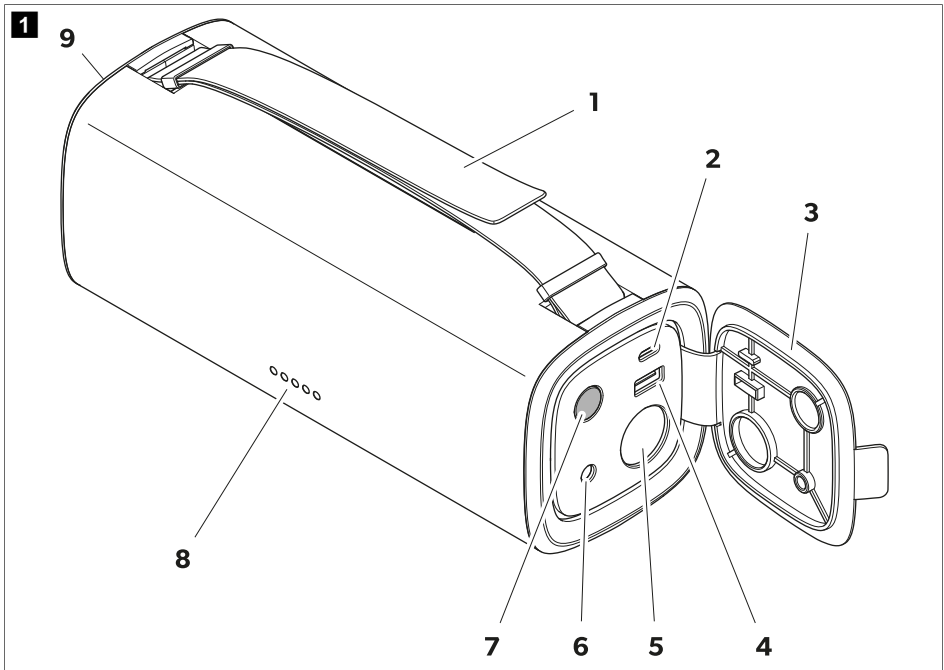
Procesul de încărcare și nivelul de încărcare actual sunt afișate de indicatorul de stare al bateriei (8, fig. 1 pagină 197). Indicatorul de stare al bateriei este activat imediat ce:

- Acumulatorul este încărcat.
- Un consumator este conectat la acumulator.
- Lanterna este aprinsă.

Acumulatorul portabil dispune de următoarele mecanisme de protecție:

- Protecție la temperaturi ridicate și scăzute
- Protecție la supracurent
- Protecție la supratensiune și subtensiune la nivelul intrărilor
- Protecție la supratensiune la nivelul ieșirilor
- protecție la scurtcircuit
- Protecție la supraîncărcare și descărcare profundă

## Descrierea dispozitivului



Poz.	Explicare	Poz.	Explicare
1	Mâner de transport reglabil	6	Intrare DC5525 (12 V ... 32 V)
2	Intrare/ieșire USB-C (5 V/3 A, 9 V/3 A, 12 V/3 A, 15 V/3 A, 20 V/3 A)	7	Buton pornit/oprit
3	Capac dispozitiv	8	Indicator de stare LED al bateriei
4	Ieșire USB-A (5 V/2,4 A, 9 V/2 A, 12 V/1,5 A)	9	Lanternă LED
5	Ieșire c.c. (12 V/15 A)		

## 7 Utilizarea



### ATENȚIE! Pericol de defectare

Încărcați acumulatorul după fiecare utilizare.



**INDICAȚIE** Încărcarea dispozitivelor mobile digitale, acționarea 12 V dispozitivelor și încărcarea acumulatorului sunt posibile simultan.

### Înainte de prima utilizare

- > Înainte de prima utilizare, încărcați acumulatorul până când este încărcat complet (consultați capitolul Încărcarea acumulatorului pagină 198).

### Încărcarea acumulatorului



### ATENȚIE! Pericol de defectare

- Asigurați o aerisire suficientă și asigurați-vă că căldura generată în timpul procesului de încărcare poate fi disipată din acumulator.
- Asigurați-vă că tensiunea de circuit deschis (Voc) a bateriei vehiculului sau a modului fotovoltaic nu depășește 32 V.

Timpul de încărcare necesar al acumulatorului depinde de sursa de încărcare și de intrarea de încărcare selectate. Acumulatorul portabil poate fi încărcat până la 60 W prin intrarea USB-C sau până la 100 W prin intrarea c.c. La încărcarea simultană prin intrarea USB-C și intrarea c.c., puterea de încărcare poate fi crescută până la 120 W.


Intrarea c.c. acceptă atât încărcarea prin bateriile vehiculului, cât și prin energie fotovoltaică.

1. Așezați acumulatorul pe o bază fermă și rezistentă la căldură.
  2. Deschideți capacul dispozitivului pentru a accesa conexiunile și comenzile.
  3. Conectați o sursă de energie adecvată (de ex., bateria vehiculului, panou fotovoltaic) la intrarea c.c. sau la intrarea USB-C a acumulatorului.
- ✓ Indicatorul de stare al bateriei indică nivelul de încărcare (consultați capitolul Verificarea nivelului de încărcare pagină 198). LED-ul pentru următorul nivel de încărcare superior clipește până când este atins nivelul complet de încărcare.

Procesul de încărcare se oprește automat când acumulatorul este complet încărcat. Toate LED-urile indicatorului de stare al bateriei sunt aprinse.

4. După încărcare, deconectați toate cablurile de încărcare și închideți capacul dispozitivului.

### Verificarea nivelului de încărcare

- > Apăsăți butonul  pentru a activa sau dezactiva indicatorul de stare al bateriei (8, fig. 1 pagină 197).



### INDICAȚIE

- Indicatorul de stare al bateriei se stinge automat dacă nu este conectat niciun consumator și nu este conectată nicio sursă de încărcare.
- Imediat ce nivelul de încărcare scade sub 5 %, LED-ul 1 începe să clipească pentru a indica nivelul scăzut de încărcare al bateriei.

- ✓ Indicatorul de stare al bateriei indică nivelul de încărcare între 0 % (descărcată) și 100 % (încărcată complet).

Indicator de stare al bateriei					Capacitatea bateriei
LED 1	LED 2	LED 3	LED 4	LED 5	
○	○	○	○	○	0 %
●	○	○	○	○	5 ... 20 %
●	●	○	○	○	21 ... 40 %
●	●	●	○	○	41 ... 60 %
●	●	●	●	○	61 ... 80 %
●	●	●	●	●	81 ... 100 %

## Folosirea lanternei LED





### PRECAUȚIE! Risc de vătămare

Evitați să priviți direct în lanterna LED, deoarece acest lucru poate dăuna ochilor.



**INDICAȚIE** Lanterna este reglabilă în 2 temperaturi de culoare: Alb neutru (la 4300 K) și alb rece (la 6400 K).

1. Deschideți capacul dispozitivului pentru a accesa conexiunile și comenzile.
2. Apăsăți și mențineți apăsat butonul  timp de 3 s pentru a aprinde sau a stinge lanterna.
- ✓ Indicatorul de stare al bateriei este aprins.
3. Apăsăți butonul  pentru a comuta între temperaturile de culoare.



**INDICAȚIE** Dacă sunt conectați consumatori sau sunt conectate surse de încărcare, temperatura de culoare alb rece nu este disponibilă și lanterna este setată automat la alb neutru.

4. Țineți lanterna de mânerul de transport. Mânerul de transport poate fi reglat la lungimea necesară.
5. După utilizare, închideți capacul dispozitivului.

## Tensiuni de încărcare prin USB

Ieșirea USB-C are o putere de încărcare de 60 W, iar ieșirea USB-A are o putere de încărcare de 18 W.



### INDICAȚIE

- Încărcarea dispozitivelor mobile digitale nu este posibilă dacă acumulatorul are un nivel scăzut de încărcare (nivel de încărcare < 5 %).
- Pot fi încărcate simultan două dispozitive mobile digitale, folosind ambele ieșiri USB.

1. Deschideți capacul dispozitivului pentru a accesa conexiunile și comenzile.
2. Selectați un cablu de încărcare cu un adaptor adecvat, în funcție de ieșirea USB pe care o veți folosi, și conectați acumulatorul la dispozitivul digital.
- ✓ Dispozitivul digital este încărcat automat de către acumulator. Indicatorul de stare al bateriei indică nivelul de încărcare rămas al acumulatorului.
3. După încărcare, deconectați toate cablurile de încărcare și închideți capacul dispozitivului.

## Acționarea dispozitivelor de 12 V



### ATENȚIE! Pericol de defectare

Asigurați o aerisire suficientă și asigurați-vă că căldura generată poate fi disipată din acumulator.



**INDICAȚIE** Acționarea dispozitivelor de 12 V nu este posibilă atunci când acumulatorul ajunge la un nivel scăzut de încărcare (nivel de încărcare < 5 %).

leșirea c.c. asigură o sursă de alimentare mobilă cu până la 150 W de putere continuă.

1. Așezați acumulatorul pe o bază fermă și rezistentă la căldură.
  2. Deschideți capacul dispozitivului pentru a accesa conexiunile și comenzile.
  3. Conectați cablul de alimentare al dispozitivului de 12 V la ieșirea c.c. a acumulatorului.
- ✓ Dispozitivul de 12 V este alimentat automat de acumulator cu energia necesară funcționării. Indicatorul de stare al bateriei indică nivelul de încărcare rămas al acumulatorului.
4. După utilizare, deconectați cablul de alimentare al dispozitivului de 12 V și închideți capacul acumulatorului.

## 8 Curățarea și întreținerea



### AVERTIZARE! Pericol de electrocutare

Deconectați dispozitivul de la sursa de alimentare înainte de fiecare curățare și întreținere.



### ATENȚIE! Pericol de defectare

- Nu curățați niciodată dispozitivul sub apă de la robinet sau în mașina de spălat vase.
- La curățare, nu folosiți obiecte ascuțite sau dure, agenți de curățare abrazivi sau înălbitor, deoarece acestea pot deteriora dispozitivul.

- > Curățați ocazional dispozitivul cu o cârpă moale umedă.
- > Verificați regulat cablurile sau liniile sub tensiune pentru a detecta deficiențe de izolare, fisuri sau conexiuni slăbite.

## 9 Stocarea




### ATENȚIE! Pericol de defectare

- Depozitați acumulatorul doar complet încărcat. Reîncărcați regulat acumulatorul depozitat cel puțin la fiecare 3-6 luni, chiar și atunci când nu îl folosiți.
- Respectați temperatura de depozitare optimă specificată, deoarece depozitarea pe termen lung la temperaturi ridicate și scăzute poate afecta durata de viață și performanțele acumulatorului.

- > Depozitați acumulatorul într-un loc bine aerisit, uscat, protejat de praf și murdărie.
- > Verificați regulat nivelul de încărcare al acumulatorului (consultați capitolul Verificarea nivelului de încărcare pagină 198).



## 10 Remedierea defecțiunilor

Avarie	Cauză posibilă	Soluție
Acumulatorul nu funcționează. Butonul  nu răspunde.	Acumulatorul este descărcat profund.	Încărcați acumulatorul (consultați capitolul Încărcarea acumulatorului pagină 198).
	Deficiențe de izolare, întreruperi sau conexiuni slăbite la cablurile sub tensiune.	<ul style="list-style-type: none"> <li>&gt; Verificați cablurile sub tensiune pentru a detecta deficiențe de izolare, întreruperi sau conexiuni slăbite.</li> <li>&gt; Dacă nu descoperiți nicio problemă, contactați un agent de service autorizat.</li> </ul>
	Protecția la supracurent a acumulatorului a fost declanșată. Protecția la scurtcircuit a acumulatorului a fost declanșată.	<ol style="list-style-type: none"> <li>1. Deconectați consumatorii de la ieșirile USB-C, USB-A și c.c.</li> <li>2. Respectați sarcina maximă a ieșirilor (consultați capitolul Date tehnice pagină 202) atunci când reconectați dispozitivele.</li> <li>3. Dacă încărcarea nu repornește imediat după conectarea dispozitivelor, încărcați acumulatorul pentru a-l reactiva (consultați capitolul Încărcarea acumulatorului pagină 198).</li> </ol>

## 11 Eliminarea



Reciclarea materialelor de ambalare: Depuneți materialul de ambalare pe cât posibil în containerele corespunzătoare de reciclare.



Reciclarea produselor cu baterii neînlocuibile, acumulatori sau surse de lumină:

- În cazul în care produsul conține baterii neînlocuibile, acumulatori sau surse de lumină, nu trebuie să le îndepărtați înainte de a le elimina.
- Dacă doriți să eliminați în final produsul, adresați-vă centrului local de reciclare sau distribuitorului pentru detalii despre cum să faceți acest lucru în conformitate cu reglementările privind eliminarea aplicabile.
- Produsul poate fi eliminat gratuit.

## 12 Garanție

Se aplică termenul de garanție legal. În cazul în care produsul este defect, contactați reprezentanța producătorului din țara dvs. (consultați [dometic.com/dealer](http://dometic.com/dealer)) sau comerciantul.

Pentru operații de reparație și în baza garanției, trebuie să trimiteți și următoarele documente:


- O copie a facturii cu data cumpărării

- Un motiv de reclamație sau o descriere a defecțiunii.

Rețineți că repararea prin mijloace proprii sau reparațiile neprofesionale pot avea consecințe asupra securității și pot anula garanția.

## 13 Date tehnice

<b>Acumulator</b>	
Tip baterie	Litiu fier fosfat/LiFePO <sub>4</sub>
Capacitate nominală a bateriei	15 Ah
Tensiune nominală a bateriei	12,8 V <sub>nom</sub>
<b>Ieșire USB-A</b>	
Tensiune de ieșire/curent nominal	5 V <sub>nom</sub> /2,4 A, 9 V <sub>nom</sub> /2 A, 12 V <sub>nom</sub> /1,5 A
<b>Ieșire/intrare USB-C</b>	
Domeniul tensiunii de încărcare	5 ... 20 V <sub>nom</sub>
Curent de intrare	3 A
<b>Ieșire DC</b>	
Tensiune de ieșire	12 V <sub>nom</sub>
Intensitate nominală a curentului	15 A
<b>Intrare DC</b>	
Domeniul tensiunii de încărcare	12 ... 32 V <sub>nom</sub>
Curent de intrare maxim	5,5 A
<b>Lanternă LED</b>	
Alb rece	
<ul style="list-style-type: none"> <li>• Putere de iluminare LED</li> <li>• Lumen</li> </ul>	<p>4,5 W ± 0,5 W</p> <p>160 lm ± 10 lm</p>
Alb neutru	
<ul style="list-style-type: none"> <li>• Putere de iluminare LED</li> <li>• Lumen</li> </ul>	<p>2,5 W ± 0,5 W</p> <p>50 lm ± 10 lm</p>
<b>Date tehnice generale</b>	
Temperatura ambiantă pentru funcționare	-10 °C ... 45 °C
Temperatură de încărcare	0 °C ... 45 °C
Interval de temperatură de depozitare	-20 °C ... 60 °C
Rată maximă de autodescărcare la 25 °C	5 % pe lună
Umiditate ambiantă	≤ 95 %, fără condens
Tip de protecție	IP 44
Durată de viață	2000 de cicluri de încărcare
Dimensiuni (lxHxA)	85 × 222 × 85 mm

Greutate	1,8 kg
Test/certificate	

## Български език

1	Важни бележки.....	204
2	Обяснение на символите.....	204
3	Инструкции за безопасност.....	205
4	Обхват на доставката.....	206
5	Използване по предназначение.....	207
6	Техническо описание.....	207
7	Работа.....	209
8	Почистване и поддръжка.....	211
9	Съхранение.....	212
10	Отстраняване на неизправности.....	212
11	Изхвърляне.....	212
12	Гаранция.....	213
13	Технически данни.....	213

## 1 Важни бележки

Моля, прочетете внимателно тези инструкции и спазвайте всички указания, напътствия и предупреждения, включени в настоящото ръководство, за да сте сигурни, че монтирате, използвате и поддържате правилно този продукт. Тези инструкции ТРЯБВА да се съхраняват с продукта.

Като използвате продукта, Вие потвърждавате, че сте прочели внимателно всички указания, напътствия и предупреждения и че разбирате и приемате да спазвате сроковете и условията, съдържащи се в тях. Вие се съгласявате да използвате този продукт само по предназначение и в съответствие с указанията, инструкциите и предупрежденията, описани в ръководството на продукта, както и в съответствие с всички приложими закони и разпоредби. Ако не прочетете и не спазвате инструкциите и предупрежденията, това може да доведе до наранявания за вас или за други хора, щети по продукта или щети по други предмети в близост до него. Това ръководство на продукта, включително указанията, инструкциите и предупрежденията и другата документация, подлежи на промяна и обновяване. За актуална информация за продукта, моля, посетете [documents.domestic.com](http://documents.domestic.com).

## 2 Обяснение на символите



### ПРЕДУПРЕЖДЕНИЕ!

Показва опасна ситуация която, ако не бъде избегната, може да доведе до смърт или тежко нараняване.



### ВНИМАНИЕ!

Показва опасна ситуация която, ако не бъде избегната, може да доведе до леко или средно нараняване.



### ВНИМАНИЕ!

Показва ситуация която, ако не бъде избегната, ще доведе до щети по имуществото.



**УКАЗАНИЕ** Допълнителна информация за боравенето с продукта.

## 3 Инструкции за безопасност

### Обща безопасност



#### **ПРЕДУПРЕЖДЕНИЕ! Опасност от електрически удар**

- Не работете с уреда, ако е видимо увреден.
- Устройството може да бъде ремонтирано само от квалифициран персонал. Неправилни ремонти могат да доведат до значителни опасности.
- Не разглобявайте устройството.
- Не модифицирайте и не адаптирайте никой от компонентите по какъвто и да е начин.
- Използвайте само аксесоари и резервни части, препоръчани от производителя.
- Не използвайте устройството при мокри условия и не го потапяйте в течност. Съхранявайте на сухо място.
- Изключвайте устройството и го изключвайте от захранването преди всяко почистване или поддръжка и след всяка употреба.



#### **ПРЕДУПРЕЖДЕНИЕ! Риск от нараняване**

Батериите съдържат агресивни и каустични киселини. Избягвайте контакт на акумулаторна течност с тялото си. Ако кожата ви влезе в контакт с акумулаторна течност, измийте добре тази част от тялото ви с вода. Ако имате някакви наранявания от киселини, незабавно се свържете с лекар.



#### **ПРЕДУПРЕЖДЕНИЕ! Опасност за здравето**

- Не отваряйте и не повреждайте батериите и не им позволявайте да навлязат в околната среда, тъй като съдържат токсични и вредни за околната среда тежки метали.
- Този уред може да се използва от деца над 8 годишна възраст и от лица с ограничени физически, сензорни или умствени способности или лица без опит и познания, ако те са били предварително инструктирани за безопасното използване на уреда и разбират потенциалните опасности.
- **Електрическите уреди не са детска играчка!** Винаги съхранявайте и използвайте устройството далеч от досега на много малки деца.
- Деца трябва да са под наблюдение, за да е сигурно, че не си играят с уреда.
- Почистване и поддръжка не трябва да се извършва от деца без наблюдение.



#### **ВНИМАНИЕ! Опасност от повреда**

- Преди стартиране проверете дали спецификацията на напрежението на табелката с данни е същата като тази на захранването.
- Уверете се, че други обекти **не могат** да причинят късо съединение при контактите на устройството.
- Уверете се, че отрицателните и положителните полюси **никога** не влизат в контакт.
- Не използвайте кабелите като дръжка.

### Безопасност при работа на уреда



#### **ВНИМАНИЕ! Опасност от експлозия**

- **Не** работете с устройството при следните условия:  
В солена, мокра или влажна среда

- В близост до корозивни изпарения
- В близост до запалими материали
- На места, където има опасност от експлозия на газ или прах

- Никога не се опитвайте да заредите замразен или дефектен акумулатор. Поставете акумулаторния пакет в зона без замръзване и изчакайте, докато акумулаторът се аклиматизира към околната температура.
- Не монтирайте устройството в близост до източници на топлина (отопление, пряка слънчева светлина, газови фурни и др.).
- Не пушете, не използвайте открит пламък или не предизвиквайте искри в близост до акумулаторния пакет.
- Не оставяйте устройството без надзор, когато се използва.



#### **ВНИМАНИЕ! Опасност от електрически удар**

- Преди да стартирате устройството, уверете се, че захранващият кабел и щепселът са сухи и щепселът не е ръждясал или замърсен.
- Когато работите по електрически системи, уверете се, че има някой наблизо, който може да ви помогне в извънредни ситуации.
- Поставете кабелите така, че да не могат да бъдат повредени от остри ръбове, врати или от капак. **Не** прегъвайте кабелите прекалено силно. Смачкан кабел може да доведе до сериозно нараняване.
- Не разкачвайте кабели, когато устройството все още се използва.



#### **ВНИМАНИЕ! Опасност от пожар**

- Не изпускайте, не удряйте и не прилагайте прекомерна сила върху устройството, за да избегнете повреда на външни и вътрешни части.
- Не поставяйте устройството в близост до силно запалими материали.



#### **ВНИМАНИЕ! Риск от нараняване**

При позициониране на устройството се уверете, че всички кабели са подходящо обезопасени, за да се избегне всякаква форма на опасност от преместване.



#### **ВНИМАНИЕ! Опасност от повреда**

- Уверете се, че входните и изходните отвори за въздух на устройството не са покрити.
- Осигурете добра вентилация.
- Поставете устройството на сухо място, където е защитено от пръски вода.
- Никога не откачайте контакта, като дърпате кабела.
- При съхранение навийте кабела хлабаво, прегъването може да повреди кабела и вътрешните части.
- Избягвайте дълбоко разреждане на устройството.

## **4 Обхват на доставката**

Количество	Описание
1	Преносим акумулаторен пакет
1	Кабел за зареждане (USB-C към USB-C)

Количество	Описание
1	Кабел за зареждане на автомобил (порт за запалка към DC5525)
1	Кратко ръководство за работа
1	Инструкция за експлоатация (само цифрово)

## 5 Използване по предназначение

Преносимият акумулаторен пакет е предназначен за зареждане на цифрови мобилни устройства (напр. мобилни телефони, планшети, лаптопи, фотоапарати, и т.н.) или за работа с 12 V устройства (напр. въздушни помпи, хладилни чанти и друго външно оборудване) и може да се използва като фенерче.

Преносимият акумулаторен пакет е подходящ за употреба на открито, например за пътувания на дълги разстояния с туристическа цел.

Преносимият акумулаторен пакет **не** е подходящ за

- Паралелна връзка с други преносими акумулаторни пакети
- търговска употреба.

Този продукт е подходящ само за предвидената цел и приложение съгласно настоящите инструкции.

Това ръководство предоставя информация, необходима за правилната инсталация и/или експлоатация на продукта. Лошо инсталиране и/или неправилна употреба и поддръжка ще доведат до незадоволителна работа и евентуално до повреди.

Производителят не носи отговорност за наранявания и повреди по продукта, причинени от:

- Неправилен монтаж, сглобяване или свързване, включително твърде високо напрежение
- Неправилна поддръжка или използване на резервни части, различни от оригиналните, предоставяни от производителя
- Изменения на продукта без изрично разрешение от производителя
- Използване за цели, различни от описаните в това ръководство

Dometic си запазва правото да променя външния вид и спецификациите на продукта.

## 6 Техническо описание

### Общо описание

Акумулаторният пакет е оборудван с литиево-желязо-фосфатна батерия и вградено LED фенерче.

Цифровите мобилни устройства могат да се зареждат на един от двата USB изхода (**2** и **4**, фиг. **1** на страница 208). Освен това устройството може да се използва за управление на 12 V устройства чрез DC изход (връзка за адаптер за зареждане на автомобил **5**, фиг. **1** на страница 208).

Преносимият акумулаторен пакет може да се зарежда чрез USB-C вход (**2**, фиг. **1** на страница 208) или DC вход (**6**), фиг. **1** на страница 208.

Процесът на зареждане и текущото състояние на зареждане се показват от индикатора за състоянието на акумулатора (**8**, фиг. **1** на страница 208). Индикаторът за състоянието на акумулатора се активира веднага щом:

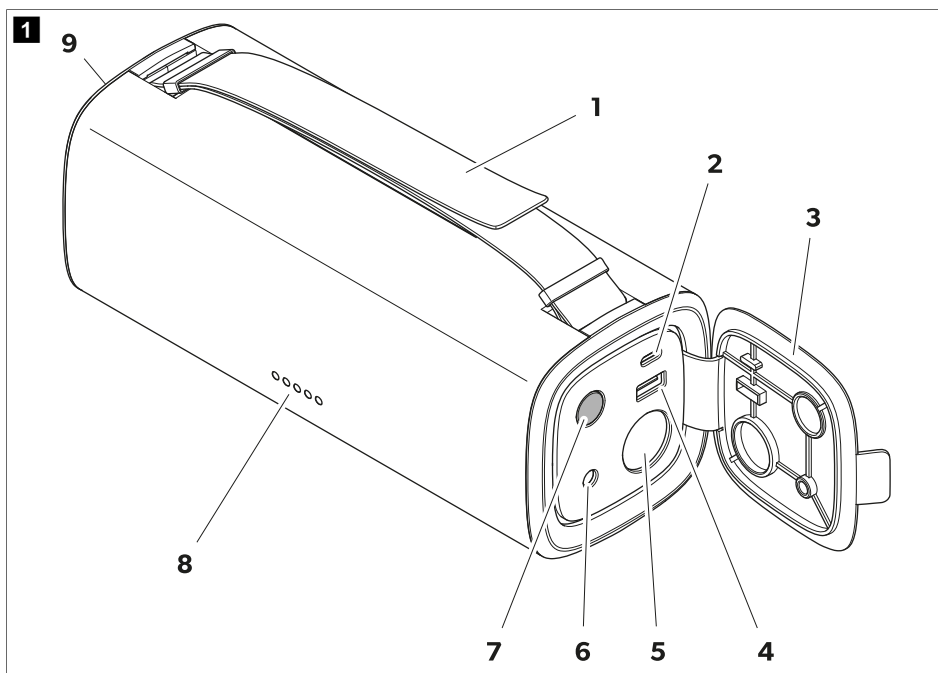
- Акумулаторният пакет се зарежда.

- Към акумулаторния пакет е свързано друго устройство.
- Фенерчето е включено.

Преносимият акумулаторен пакет има следните защитни механизми:

- Защита при висока и ниска температура
- Защита от свръхток
- Защита от пренапрежение и ниско напрежение при входовете
- Защита от пренапрежение при изходите
- Защита от късо съединение
- Защита от претоварване и дълбоко разреждане

## Описание на уреда



№	Обяснение	№	Обяснение
1	Регулируема дръжка за носене	6	DC5525 вход (12 V ... 32 V)
2	USB-C вход/изход (5 V/3 A, 9 V/3 A, 12 V/3 A, 15 V/3 A, 20 V/3 A)	7	Бутон за включване/изключване
3	Капак на устройството	8	LED индикатор за състоянието на акумулатора
4	USB-A изход (5 V/2,4 A, 9 V/2 A, 12 V/1,5 A)	9	LED фенерче
5	DC изход (12 V/15 A)		



## 7 Работа



### **ВНИМАНИЕ! Опасност от повреда**

Зареждайте акумулаторния пакет след всяка употреба.



**УКАЗАНИЕ** Зареждането на цифрови мобилни устройства, работата с 12 V устройства и зареждането на акумулаторния пакет са възможни едновременно.

### Преди първата употреба

- Заредете акумулаторния пакет преди първата употреба, докато не се зареди напълно (вж. глава Зареждане на акумулаторния пакет на страница 209).

### Зареждане на акумулаторния пакет



### **ВНИМАНИЕ! Опасност от повреда**

- Осигурете достатъчна вентилация и се уверете, че топлината, генерирана по време на процеса на зареждане, може да се разсее от акумулатора.
- Уверете се, че напрежението на отворена верига (Voc) на акумулатора на автомобила или соларния модул не превишава 32 V.

Необходимото време за зареждане на акумулаторния пакет зависи от избора на източник на зареждане и вход за зареждане. Преносимият акумулаторен пакет може да се зарежда до 60 W чрез USB-C входа или до 100 W чрез DC входа. При едновременно зареждане чрез USB-C вход и DC вход мощността на зареждане може да се увеличи до 120 W.


Входът за постоянен ток поддържа както зареждане от акумулатори на превозни средства, така и зареждане от слънчева енергия.

- Поставете акумулаторния пакет върху твърда и топлоустойчива основа.
- Отворете капака на устройството, за да получите достъп до връзките и контролите.
- Свържете подходящ източник на захранване (напр. акумулатор на превозно средство, соларен панел) към входа за постоянен ток или USB-C входа на акумулаторния пакет.
- Индикаторът за състоянието на акумулатора показва нивото на зареждане (вж. глава Проверка на състоянието на зареждане на страница 209). Светодиодът за следващото по-високо ниво на зареждане мига, докато се достигне пълното ниво на зареждане.

Процесът на зареждане спира автоматично, когато акумулаторният пакет е напълно зареден. Всички светодиоди на индикатора за състоянието на акумулатора светят.

- След зареждане отстранете всички кабели за зареждане и затворете капака на устройството.

### Проверка на състоянието на зареждане

- Натиснете бутона , за да активирате или деактивирате индикатора за състояние на акумулатора (8, фиг. 1 на страница 208).

**УКАЗАНИЕ**

- Индикаторът за състоянието на акумулатора се изключва автоматично, ако към него няма свързано устройство и не е свързан източник на зареждане.
- Веднага след като състоянието на зареждане падне под 5 %, светодиодът 1 започва да мига, за да покаже ниско състояние на акумулатора.

✓ Индикаторът за състоянието на акумулатора показва състоянието на заряда между 0 % (разреден) и 100 % (напълно зареден).

Индикатор за състоянието на акумулатора					Капацитет на акумулатора
LED 1	LED 2	LED 3	LED 4	LED 5	
○	○	○	○	○	0 %
●	○	○	○	○	5 ... 20 %
●	●	○	○	○	21 ... 40 %
●	●	●	○	○	41 ... 60 %
●	●	●	●	○	61 ... 80 %
●	●	●	●	●	81 ... 100 %

**Използване на LED фенерчето****ВНИМАНИЕ! Риск от нараняване**

Избягвайте да гледате директно в LED фенерчето, тъй като това може да увреди очите ви.



**УКАЗАНИЕ** Фенерчето се регулира при 2 цветни температури: Неутрална бяла светлина (при 4300 K) и студена бяла светлина (при 6400 K).

1. Отворете капака на устройството, за да получите достъп до връзките и контролите.
2. Натиснете и задръжте бутона 3 s, за да включите или изключите фенерчето.
- ✓ Индикаторът за състоянието на акумулатора свети.
3. Натиснете бутона , за да превключите между цветните температури.



**УКАЗАНИЕ** Ако са свързани устройства или източници на зареждане, цветната температура на неутралната бяла светлина не е налична и фенерчето автоматично се настройва на неутрална бяла светлина.

4. Дръжте фенерчето за дръжката за носене. Дръжката за носене може да се регулира до необходимата дължина.
5. След употреба затворете капака на устройството.

**Зареждане на цифрови устройства чрез USB**

USB-C изходът има мощност на зареждане от 60 W, USB-A изходът има мощност на зареждане от 18 W.

**УКАЗАНИЕ**

- Зареждането на цифрови мобилни устройства не е възможно, ако акумулаторният комплект е с нисък заряд на батерията (състояние на зареждане < 5 %).
- Две цифрови мобилни устройства могат да се зареждат едновременно с помощта на двата USB изхода.

1. Отворете капака на устройството, за да получите достъп до връзките и контролите.
2. Изберете кабел за зареждане с подходящ адаптер в зависимост от USB изхода, който ще се използва, и свържете акумулаторния пакет към цифровото устройство.
- ✓ Цифровото устройство се зарежда автоматично чрез акумулаторния комплект. Индикаторът за състоянието на акумулатора показва оставащото състояние на зареждане на акумулаторния пакет.
3. След зареждане отстранете всички кабели за зареждане и затворете капака на устройството.

**Зареждане на 12 V устройства****ВНИМАНИЕ! Опасност от повреда**

Осигурете достатъчна вентилация и се уверете, че генерираната топлина може да се разсее от акумулатора.



**УКАЗАНИЕ** Зареждането на 12 V устройствата не е възможно, щом като акумулаторният пакет е с нисък заряд на батерията (състояние на зареждане < 5 %).

DC изходът осигурява мобилно захранване с до 150 W непрекъсната мощност.

1. Поставете акумулаторния пакет върху твърда и топлоустойчива основа.
2. Отворете капака на устройството, за да получите достъп до връзките и контролите.
3. Свържете захранващия кабел на 12 V устройството към DC изхода на акумулаторния пакет.
- ✓ 12 V устройство се захранва автоматично с мощност за работа чрез акумулаторния пакет. Индикаторът за състоянието на акумулатора показва оставащото състояние на зареждане на акумулаторния пакет.
4. След употреба изключете захранващия кабел на 12 V устройство и затворете капака на устройството на акумулаторния пакет.

**8 Почистване и поддръжка****ПРЕДУПРЕЖДЕНИЕ! Опасност от електрически удар**

Изключвайте уреда от захранването преди всяко почистване и поддръжка.

**ВНИМАНИЕ! Опасност от повреда**

- Никога не почиствайте устройството под течаща вода или в съд с вода.
- Не използвайте остри или твърди предмети, абразивни почистващи препарати или белина по време на почистване, тъй като те могат да повредят устройството.

- > Периодично почиствайте устройството с мека, влажна кърпа.
- > Редовно проверявайте кабелите или линиите под напрежение за дефекти в изолацията, прекъсвания или разхлабени връзки.


## 9 Съхранение



### ВНИМАНИЕ! Опасност от повреда

- Съхранявайте акумулаторния пакет напълно зареден. Презареждайте съхранявания акумулаторен пакет редовно и поне на всеки 3 – 6 месеца дори когато не се използва.
  - Спазвайте посочената оптимална температура за съхранение, тъй като дългосрочното съхранение при високи и ниски температури може да влоши експлоатационния живот и работата на акумулаторния пакет.
- > Съхранявайте акумулаторния пакет на добре проветриво и сухо място, където е защитено от прах и мръсотия.
- > Редовно проверявайте състоянието на зареждане на акумулаторния пакет (вж. глава Проверка на състояние то на зареждане на страница 209).

## 10 Отстраняване на неизправности

проблем	причина	Решение
Акумулаторният пакет не работи. Бутонът  не отговаря.	Акумулаторният пакет е дълбоко разреден.	Заредете акумулаторния пакет (вж. глава Зареждане на акумулаторния пакет на страница 209).
	Неизправности в изолацията, прекъсвания или разхлабени връзки при кабелите под напрежение.	<ul style="list-style-type: none"> <li>&gt; Проверете кабелите под напрежение за дефекти в изолацията, прекъсвания или разхлабени връзки.</li> <li>&gt; Ако не можете да намерите грешка, свържете се с оторизиран сервизен агент.</li> </ul>
	Задействана защита от свръхток на акумулаторния пакет. Задействана защита от късо съединение на акумулаторния пакет.	<ol style="list-style-type: none"> <li>1. Отстранете свързаните устройства към USB-C, USB-A и DC изходите.</li> <li>2. Спазвайте максималното натоварване на изходите (вж. глава Технически данни на страница 213) при повторно свързване на устройствата.</li> <li>3. Ако зареждането не се рестартира веднага след свързване на устройствата, заредете акумулаторния пакет, за да го активирате отново (вж. глава Зареждане на акумулаторния пакет на страница 209).</li> </ol>

## 11 Изхвърляне



Рециклиране на опаковъчния материал: По възможност предайте опаковката за рециклиране.



Продукти за рециклиране с незаменяеми батерии, презареждаеми батерии или източници на светлина:

- Ако продуктът съдържа незаменяеми батерии, презареждаеми батерии или източници на светлина, не е необходимо да ги отстранявате, преди да изхвърлите продукта.
- Ако искате окончателно да изхвърлите продукта, попитайте местния център за рециклиране или специализиран дилър за подробности как това да се извърши в съответствие с валидните предписания.
- Продуктът може да бъде изхвърлен безплатно.

## 12 Гаранция

Важи гаранционният срок, определен от закона. Ако продуктът е дефектен, моля, свържете се с клона на производителя във вашата страна (вижте [dometic.com/dealer](http://dometic.com/dealer)) или с вашия търговец на дребно.

За обработка на гаранцията и ремонта, моля приложете следните документи при изпращането на уреда:

- Копие от фактурата с дата на покупката
- Причина за претенцията или описание на дефекта

Отбележете, че саморъчен или непрофесионален ремонт може има последствия за безопасността и да анулира гаранцията.

## 13 Технически данни

<b>Акумулаторен пакет</b>	
Тип на батерията	Литиево-железен фосфат/LiFePO <sub>4</sub>
Номинален капацитет на акумулатора	15 Ah
Номинално напрежение на акумулатора	12,8 V <sub>nom</sub>
<b>USB-A изход</b>	
Изходно напрежение/номинален ток	5 V <sub>nom</sub> /2,4 A, 9 V <sub>nom</sub> /2 A, 12 V <sub>nom</sub> /1,5 A
<b>USB-C изход/вход</b>	
Диапазон на зарядно напрежение	5 ... 20 V <sub>nom</sub>
Входен ток	3 A
<b>DC изход</b>	
Изходно напрежение	12 V <sub>nom</sub>
Номинален ток	15 A
<b>DC вход</b>	
Диапазон на зарядно напрежение	12 ... 32 V <sub>nom</sub>
Максимален входящ ток	5,5 A
<b>LED фенерче</b>	
Студена бяла светлина	

<ul style="list-style-type: none"> <li>• Мощност на LED осветлението</li> <li>• Лумени</li> </ul>	<p>4,5 W ± 0,5 W</p> <p>160 lm ± 10 lm</p>
<p>Неутрална бяла светлина</p> <ul style="list-style-type: none"> <li>• Мощност на LED осветлението</li> <li>• Лумени</li> </ul>	<p>2,5 W ± 0,5 W</p> <p>50 lm ± 10 lm</p>
<b>Общи технически данни</b>	
Околна температура за работа	-10 °C ... 45 °C
Температура при заряд	0 °C ... 45 °C
Температурен диапазон на съхранение	-20 °C ... 60 °C
Максимален коефициент на саморазреждане при 25 °C	5 % на месец
Влажност на околната среда	≤ 95 %, без кондензация
Тип защита	IP 44
Експлоатационен живот	2000 цикъла на зареждане
Размери (Ш x В x Д)	85 x 222 x 85 mm
Тегло	1,8 kg
Изпитвания/сертификати	

## Eesti keel

1	Olulised märkused.....	215
2	Sümbolite selgitus.....	215
3	Ohutusjuhised.....	216
4	Tärnepakki.....	217
5	Kasutusotstarve.....	218
6	Tehniline kirjeldus.....	218
7	Kasutamine.....	219
8	Puhastamine ja hooldamine.....	222
9	Hoidmine.....	222
10	Tõrkeotsing.....	222
11	Kõrvaldamine.....	223
12	Garantii.....	223
13	Tehnilised andmed.....	223

## 1 Olulised märkused

Lugege see juhend tähelepanelikult läbi ja järgige kõiki selles esitatud juhiseid, suuniseid ja hoiatusi, et tagada alati toote õigesti paigaldamine, kasutamine ning hooldamine. See juhend PEAB jääma selle toote juurde.

Toote kasutamisega kinnitate, et olete kõik juhised, suunised ja hoiatused tähelepanelikult läbi lugunud ning mõistate ja nõustute järgima nendes sätestatud tingimusi. Nõustute kasutama seda toodet üksnes ettenähtud eesmärgil ja otstarbel ning kooskõlas kasutusjuhendis sätestatud juhiste, suuniste ja hoiatustega, samuti kooskõlas kõigi kohaldatavate õigusaktide ja eeskirjadega. Siin sätestatud juhiste ja hoiatuste lugemise ja järgimise eiramine võib põhjustada vigastusi teile ja kolmandatele isikutele, kahjustada teie toodet või läheduses asuvat muud vara. Toote kasutusjuhendit, sh juhiseid, suuniseid ja hoiatusi, ning seotud dokumente võidakse muuta ja uuendada. Värskeima tooteteabe leiate veebisaidilt [documents.dometic.com](http://documents.dometic.com).

## 2 Sümbolite selgitus



### HOIATUS!

viitab ohtlikule olukorrale, mis eiramise korral võib lõppeda surma või raske vigastusega.



### ETTEVAATUST!

viitab ohtlikule olukorrale, mis eiramise korral võib lõppeda kerge või keskmise vigastusega.



### TÄHELEPANU!

Viitab ohtlikule olukorrale, mis eiramise korral võib lõppeda varalise kahjuga.



**MÄRKUS** Lisateave toote käitamiseks.

## 3 Ohutusjuhised

### Üldine ohutus



#### HOIATUS! Elektrilöögi oht

- Kui seadmel on nähtavaid kahjustusi, ei tohi seda kasutada.
- Seadet võivad remontida ainult kvalifitseeritud isikud. Valesti tehtud parandused võivad seadme kasutamise ohtlikuks muuta.
- Ärge võtke seadet lahti.
- Ärge muutke ega kohandage ühtki komponenti mis tahes viisil.
- Kasutage ainult tootja soovitatud tarvikuid ja varuosi.
- Ärge kasutage seadet märgadest tingimustes ega kastke seda mis tahes vedelikku. Hoidke seadet kuivas kohas.
- Enne iga puhastamist või hooldust ja pärast iga kasutamist lülitage seade välja ning lahutage vooluvõrgust.



#### HOIATUS! Vigastusoht

Akud sisaldavad agressiivseid ja söövitavaid happeid. Vältige akuvedeliku sattumist nahale. Kui akuvedelik satub nahale, loputage seda kehaosa veega põhjalikult. Kui hape põhjustab mis tahes kehavigastusi, võtke viivitamatult ühendust arstiga.



#### HOIATUS! Terviseoht

- Ärge avage ega kahjustage akusid ega laske neil keskkonda sattuda, kuna need sisaldavad mürgiseid ja keskkonnale kahjulikke raskmetalle.
- Seda seadet võivad kasutada alates 8-aastasest lapsed ning piiratud füüsiliste, sensoorsete või vaimsete võimetega või vajalike kogemuste ja teadmisteta isikud järelevalve all või pärast seda, kui neid on õpetatud seadet ohutult kasutama ja nad mõistavad seadme kasutamisega kaasnevat ohte.
- **Elektriseadmed ei ole mänguasjad.** Alati hoidke seade väikelaste käeulatuses eemal.
- Lapsi tuleb valvata, et oleks kindel, et nad seadmega ei mängi.
- Lapsed ei tohi seadet ilma järelevalveta puhastada ega hooldada.



#### TÄHELEPANU! Kahjustuste oht

- Enne käivitamist kontrollige, kas andmeplaadile märgitud pingenäitajad kattuvad toiteallika andmetega.
- Veenduge, et teised esemed **ei saaks** seadme kontaktidel lühist põhjustada.
- Veenduge, et miinus- ja plusspoolus **kunagi** kokku ei puutuks.
- Ärge kasutage kaableid käepidemena.

### Seadme ohutu käitamine



#### ETTEVAATUST! Plahvatusoht

- Seadet **ei** tohi kasutada järgmistel tingimustel.
  - Soolases, mürjas või niiskes keskkonnas
  - Korrosiivse auru läheduses
  - Tuleohtlike materjalide läheduses
  - Piirkondades, kus on gaasi- või tolmuplahvatusoht



- Ärge püüdke laadida külmunud või defektset akut. Pange akukomplekt külmumiskindlasse kohta ja oodake, kuni aku temperatuur on ümbritseva temperatuuriga ühtlustunud.
- Ärge asetage seadet lahtise leegi või muude soojusallikate (radiaator, otsene päikeseikiirgus, gaasi-ahi jne) lähedusse.
- Akukomplekti lähedal ei tohi suitsetada, kasutada lahtist leeki ega tekitada sädemeid.
- Ärge jätke seadet kasutamise ajal järelevalveta.



#### ETTEVAATUST! Elektrilöögi oht

- Enne seadme käivitamist veenduge et toitekaabel ja pistik oleksid kuivad ning pistik ei oleks roostes ega must.
- Elektrisüsteemide kallal töötamisel veenduge, et läheduses oleks keegi, kes saaks teid hädaolukorras aidata.
- Paigaldage kaablid nii, et teravad servad, ukсед või luuk ei saaks neid kahjustada. **Ärge** paigutage ühtegi kaablit nii, et see oleks tugevalt kokku murtud. Muljutud kaablid võivad raskeid vigastusi põhjustada.
- Ärge lahutage ühtki kaablit, kui seade on veel kasutusel.



#### ETTEVAATUST! Tuleoht

- Väliste ja sisemiste osade kahjustamise vältimiseks ärge kukutage seadet maha, pöürutage seda ega rakendage sellele liigset jõudu.
- Ärge asetage seadet tuleohtlike materjalide lähedusse.



#### ETTEVAATUST! Vigastusoht

Seadme paigutamisel tuleb komistusohu vältimiseks jälgida, et kõik kaablid oleks sobivalt kinnitatud.



#### TÄHELEPANU! Kahjustuste oht

- Veenduge, et seadme õhu sisse- ja väljalaskeavad poleks kaetud.
- Tagage hea ventilatsioon.
- Seadke seade kuiva kohta, kus see on veepritsmete eest kaitstud.
- Ärge tõmmake pistikut välja seda kaablist sikutades.
- Hoiustamisel keerake kaabel lõdvalt ringikujuliselt, tihe pakkimine võib kaablit ja sisemisi osi kahjustada.
- Vältige seadme täielikku tühjenemist.

## 4 Tarnepakk

Kogus	Tähistus
1	Kaasaskantav akukomplekt
1	Laadimiskaabel (USB-C ja USB-C)
1	Auto laadimiskaabel (sigaretisüütaja port ja DC5525)
1	Lühike kasutusjuhend
1	Kasutusjuhend (ainult digitaalne)

## 5 Kasutusotstarve

Kaasaskantav akukomplekt on mõeldud digitaalsete mobiilseadmete (nt mobiiltelefonid, tahvelarvutid, sülearvutid, kaamerad jne) laadimiseks või 12 V seadmetega (nt õhupumbad, jahutuskastid ja muud välisseadmed) ja taskulambi-  
na kasutamiseks.

Kaasaskantav akukomplekt sobib kasutamiseks välitingimustes, nt reisiril olles.

Akulaadija **ei** sobi:

- teiste kaasaskantavate akukomplektidega paralleelselt ühendamiseks,
- äriotstarbel

See toode sobib kasutamiseks üksnes ettenähtud otstarbel ja käesolevas kasutusjuhendis toodud valdkonnas.

Käesolev juhend sisaldab teavet, mis on vajalik toote korrektseks paigaldamiseks ja/või kasutamiseks. Halva paigalduse ja/või valesti kasutamise või hooldamise korral halvenevad tööomadused ja võib tekkida rike.

Tootja ei võta vastutust mis tahes kahju või tootekahjustuse eest, mis on tingitud mõnest järgmisest asjaolust:

- valesti paigaldamine, kokkupanek või ühendamine, sh liigpinge;
- valesti hooldamine või tootja poolt ette nähtud originaalvaruosadest erinevate varuosade kasutamine;
- tootel ilma tootja selge loata tehtud muudatused;
- kasutamine otstarbel, mida ei ole kasutusjuhendis kirjeldatud.

Dometic jätab endale õiguse muuta toote välimust ja tehnilisi näitajaid.

## 6 Tehniline kirjeldus

### Üldine kirjeldus

Akukomplekt on varustatud liitium-raud-fosfaatkuga ja sisseehitatud LED-taskulambiga.

Digitaalseid mobiilseadmeid saab laadida ühega kahest USB-väljundist (**2** ja **4**, joon. **1** leheküljel 219). Lisaks saab seadet kasutada 12 V seadmete kasutamiseks DC-väljundi kaudu (auto laadimisadapteri ühendus, **5**, joon. **1** leheküljel 219).

Kaasaskantavat akukomplekti saab laadida USB-C sisendi (**2**, joon. **1** leheküljel 219) või DC-sisendi (**6**, joon. **1** leheküljel 219) kaudu.

Laadimisprotsessi ja laadimise hetkeolekut kuvab aku olekunäidik (**8**, joon. **1** leheküljel 219). Aku olekunäidik aktiveeritakse kohe, kui aset leiab järgnev.

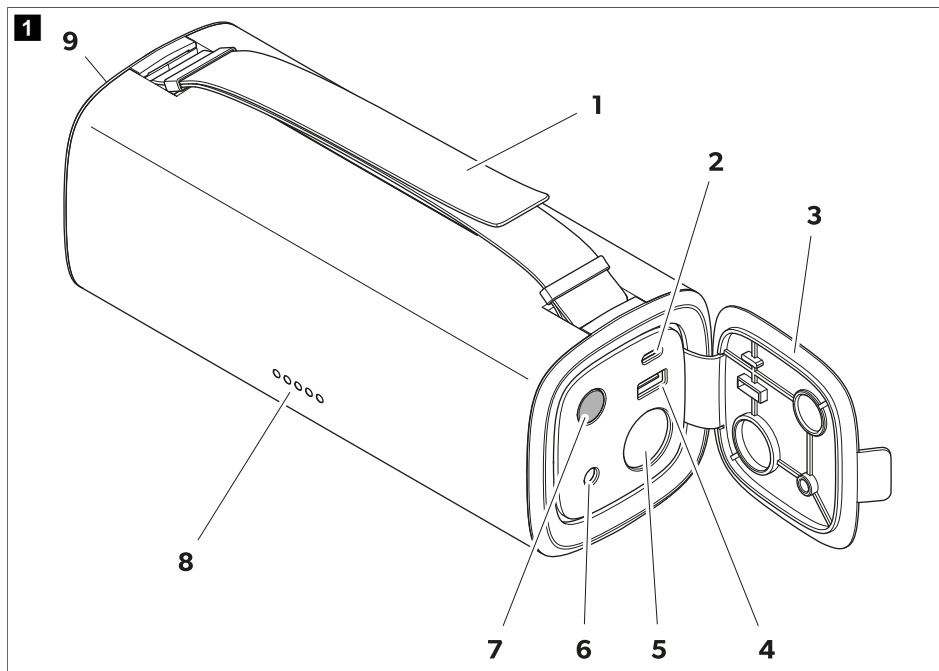
- Akukomplekti laetakse.
- Laeng on akukomplektiga ühendatud.
- Taskulamp on sisse lülitatud.

Kaasaskantaval akukomplektil on järgmised kaitsemehhanismid:

- kõrge ja madala temperatuuri kaitse;
- ülevoolukaitse;
- sisendite ülepinge- ja alapingekaitse;
- ülepingekaitse väljunditel;

- lühisekaitse;
- ülelaadimise ja täieliku tühjenemise kaitse.

## Seadme kirjeldus



Nr	Selgitus	Nr	Selgitus
1	Reguleeritav kandmise käepide	6	DC5525 sisend (12 V ... 32 V)
2	USB-C sisend/väljund (5 V/3 A, 9 V/3 A, 12 V/3 A, 15 V/3 A, 20 V/3 A)	7	Sisse-/väljalülitamise nupp
3	Seadme kaas	8	LED-aku olekunäidik
4	USB-A väljund (5 V/2,4 A, 9 V/2 A, 12 V/1,5 A)	9	LED-taskulamp
5	DC-väljund (12 V/15 A)		

## 7 Kasutamine



### TÄHELEPANU! Kahjustuste oht

Laadige akukomplekti pärast iga kasutuskorda.



**MÄRKUS** Samaaegne digitaalsete mobiiliseadmete, 12 V seadmete kasutamine ja akukomplekti laadimine on võimalik.

## Enne esmakordset kasutamist

- > Enne esmakasutust laadige akukomplekti, kuni see on täiesti täis (vt peatükki Akukomplekti laadimine leheküljel 220).

## Akukomplekti laadimine



### TÄHELEPANU! Kahjustuste oht

- Tagage piisav ventilatsioon ja veenduge, et laadimisprotsessi käigus tekkinud soojus saaks akukomplektist hajuda.
- Veenduge, et sõiduki aku või päikesemooduli avatud vooluahela pinge (VOC) ei ületaks 32 V.

Akukomplekti nõutav laadimisaja on erinev valitud laadimisallikast ja -sisendist. Kaasaskantavat akukomplekti saab laadida kuni 60 W USB-C sisendi või kuni 100 W DC-sisendi kaudu. USB-C sisendi ja DC-sisendi kaudu samaaegsel laadimisel võib laadimisvõimsuse suurendada kuni 120 W.

DC-sisend toetab nii sõiduki akude laadimist kui ka päikeseenergiaga laadimist.

1. Pange akukomplekt kindlale ja kuumakindlale alusele.
  2. Ühenduste ja juhtseadistele juurdepääsemiseks avage seadme kaas.
  3. Ühendage sobiv toiteallikas (nt sõiduki aku, päikesepaneel) akukomplekti DC-sisendiga või USB-C sisendiga.
- ✓ Aku olekunäidik näitab aku laetuse olekut (vt eatükki Laetuse oleku kontrollimine leheküljel 220). Järgmise kõrgema laadimistaseme LED-tuli vilgub, kuni saavutatakse täielikult laetuse tase.

Laadimine peatub automaatselt, kui akukomplekt on täis laetud. Kõik aku olekunäidiku LED-tuled põlevad.

4. Pärast laadimist eemaldage kõik laadimiskaablid ja sulgege seadme kaas.

## Laetuse oleku kontrollimine

- > Aku olekunäidiku aktiveerimiseks või inaktiveerimiseks vajutage nuppu  (8, joon. 1 leheküljel 219).



### MÄRKUS

- Kui laadimist ei toimu ja laadimisallikas pole ühendatud, lülitub aku olekunäidik automaatselt välja.
- Kohe, kui laetuse olek langeb alla 5 %, hakkab LED-tuli 1 vilkuma, näidates aku tühjenemist.

- ✓ Aku olekunäidik näitab laetuse olekut vahemikus 0 % (tühjenenud) ja 100 % (täielikult laetud).

Aku olekunäidik					Aku mahutavus
LED 1	LED 2	LED 3	LED 4	LED 5	
○	○	○	○	○	0 %
●	○	○	○	○	5 ... 20 %
●	●	○	○	○	21 ... 40 %
●	●	●	○	○	41 ... 60 %
●	●	●	●	○	61 ... 80 %
●	●	●	●	●	81 ... 100 %

## LED-taskulambi kasutamine





### ETTEVAATUST! Vigastusohht

Ärge vaadake otse LED-taskulambi valgusesse, kuna see võib silmi kahjustada.



**MÄRKUS** Taskulamp on reguleeritav kahel värvitemperatuuril: neutraalne valge (4300 K juures) ja külmvalge (6400 K juures).

1. Ühenduste ja juhtseadistele juurdepääsemiseks avage seadme kaas.
  2. Vajutage nuppu  ja hoidke seda 3 s, et lülitada taskulamp sisse või välja.
- ✓ Aku olekunäidik põleb.
3. Vajutage nuppu , et vahetada värvitemperatuuride vahel.



**MÄRKUS** Kui laengud või laadimisallikad on ühendatud, ei ole külmvalge värvuse temperatuur saadaval ja taskulamp seadistatakse automaatselt neutraalsele valgele.

4. Hoidke taskulampi kandmise käepidemest. Kandmise käepidet saab reguleerida soovitud pikkusele.
5. Pärast kasutamist sulgege seadme kaas.

## Digitalseadmete laadimine USB kaudu

USB-C väljundi laadimisvõimsus on 60 W, USB-A väljundi laadimisvõimsus on 18 W.



### MÄRKUS

- Digitaalsete mobiilseadmete laadimine ei ole võimalik, kui akukomplekti aku on tühjenemas (laetuse olek < 5 %).
- Mõlemat USB-väljundit kasutades saab korraga laadida kahte digitaalset mobiilseadet.

1. Ühenduste ja juhtseadistele juurdepääsemiseks avage seadme kaas.
  2. Valige olenevalt kasutatavast USB-väljundist sobiva adapteriga laadimiskaabel ja ühendage akukomplekt digitaalseadmega.
- ✓ Digitaalseadet laetakse akukomplekti kaudu automaatselt. Aku olekunäidik näitab akukomplekti järelejäänud laetuse taset.
3. Pärast laadimist eemaldage kõik laadimiskaablid ja sulgege seadme kaas.

## 12 V seadmete kasutamine



### TÄHELEPANU! Kahjustuste oht

Tagage piisav ventilatsioon ja veenduge, et tekkinud soojus saaks akukomplektist hajuda.



**MÄRKUS** 12 V seadmete kasutamine ei ole võimalik kohe, kui akukomplekti aku on tühjenemas (laetuse olek < 5 %).

DC-väljund pakub mobiilset toiteallikat kuni 150 W pidevtoitega.

1. Pange akukomplekt kindlale ja kuumakindlale alusele.
2. Ühenduste ja juhtseadistele juurdepääsemiseks avage seadme kaas.

3. Ühendage 12 V seadme toitekaabel akukomplekti DC-väljundiga.
- ✓ 12 V seade saab automaatselt akukomplekti aku kaudu kasutamiseks toidet. Aku olekunäidik näitab akukomplekti järelejäänud laetuse taset.
4. Pärast kasutamist lahutage 12 V seadme toitekaabel ja sulgege akukomplekti seadme kaas.

## 8 Puhastamine ja hooldamine



### HOIATUS! Elektrilöögi oht

Enne puhastamist ja hooldamist lahutage kõik seadme toiteühendused.



### TÄHELEPANU! Kahjustuste oht

- Ärge kunagi puhastage seadet voolava vee all või seebivees.
  - Ärge kasutage puhastamiseks teravaid ega kõvu esemeid, abrasiivseid puhastusvahendeid ega pleegitusvahendit, sest need võivad seadet kahjustada.
- > Aeg-ajalt puhastage seadet pehme, niiske lapiga.
- > Kontrollige elektrikaableid ja -juhtmeid regulaarselt isolatsioonidefektide, katkiste kohtade või lahtiste ühenduste tuvastamiseks.


## 9 Hoidmine



### TÄHELEPANU! Kahjustuste oht

- Hoidke akukomplekt ainult täislaetuna. Laadige hoiustatud akukomplekti regulaarselt ja vähemalt iga 3–6 kuu tagant, isegi kui seda ei kasutata.
  - Jälgige ettenähtud optimaalset hoiustamistemperatuuri, sest pikaajaline hoiustamine kõrgel ja madalal temperatuuril võib kahjustada akukomplekti tööiga ja jõudlust.
- > Hoidke akukomplekti hästi ventileeritud kuivas kohas, kus see on tolmu ja mustuse eest kaitstud.
- > Kontrollige regulaarselt akukomplekti laetust (vt peatükki Laetuse oleku kontrollimine leheküljel 220).

## 10 Törkeotsing

Probleem	Põhjus	Abinõu
Akukomplekt ei tööta. Nupp  ei reageeri.	Akukomplekt on täielikult tühjenenud.	Laadige akukomplekti (vt peatükki Aku komplekti laadimine leheküljel 220).
	Elektrikaablite isolatsioonidefektid, katkemine või lahtised ühendused.	<ul style="list-style-type: none"> <li>&gt; Kontrollige elektrikaableid isolatsioonidefektide, katkiste kohtade või lahtiste ühenduste tuvastamiseks.</li> <li>&gt; Kui te viga ei leia, võtke ühendust volitatud hooldustehnikuga.</li> </ul>
	Aktiveerus akukomplekti ülevoolukaitse.	1. Eemaldage USB-C, USB-A ja DC väljunditelt laengud.

Probleem	Põhjus	Abinõu
	Aktiveerus akukomplekti lühisekaitse.	<ol style="list-style-type: none"> <li>Järgige seadmete uuesti ühendamisel väljundite maksimaalset laengut (vt peatükki Tehnilised andmed leheküljel 223).</li> <li>Kui laadimine ei käivitu kohe pärast seadmete ühendamist, laadige akukomplekti selle uuesti aktiveerimiseks (vt peatükki Akukomplekti laadimine leheküljel 220).</li> </ol>

## 11 Kõrvaldamine



Pakkematerjali ringlussevõtt. Kui võimalik, pange pakkematerjal vastavasse ringlussevõetava prügi kasti.



Integreeritud akude, tavaliste akude ja valgusallikatega toodete ringlussevõtt.

- Kui toode sisaldab integreeritud akusid, tavalisi akusid või valgusallikaid, siis neid ei pea enne jäätmekäitluse andmist eemaldama.
- Kui soovite toote utiliseerida, küsige oma kohalikust jäätmekäitlusettevõttest või -spetsialistilt üksikasjaliku, kuidas seda kehtivate jäätmekäitluseeskirjade järgi teha.
- Toote saab jäätmekäitluse anda tasuta.

## 12 Garantii

Kehtib seadusega ettenähtud garantii. Kui toode on defektne, võtke ühendust tootja kohaliku filiaaliga (vt [dome.tic.com/dealer](http://dome.tic.com/dealer)) või edasimüüjaga.


Remondi- ja garantiitööde töötlemiseks lisage palun alljärgnevad dokumendid, kui seadme meile saadate:

- ostukuupäevaga arve koopia;
- kaebuse põhjus või vea kirjeldus.

Pange tähele, et kui parandate ise või lasete mittekutselisel parandajal seda teha, võib see ohutust mõjutada ja garantii kehtetuks muuta.

## 13 Tehnilised andmed

<b>Akukomplekt</b>	
Aku tüüp	Liitium-raud-fosfaat/LiFePO <sub>4</sub>
Aku nimimaht	15 Ah
Aku nimipinge	12,8 V <sub>nom</sub>
<b>USB-A väljund</b>	
Väljundpinge/nimivool	5 V <sub>nom</sub> /2,4 A, 9 V <sub>nom</sub> /2 A, 12 V <sub>nom</sub> /1,5 A

<b>USB-C väljund/sisend</b>	
Laadimise pingevahemik	5 ... 20 V $\overline{=}$
Sisendvool	3 A
<b>DC-väljund</b>	
Väljundpinge	12 V $\overline{=}$
Nimivool	15 A
<b>DC-sisend</b>	
Laadimise pingevahemik	12 ... 32 V $\overline{=}$
Maksimaalne sisendvool	5,5 A
<b>LED-taskulamp</b>	
Külmvalge	
<ul style="list-style-type: none"> <li>LED-valgusti toide</li> <li>Lumen</li> </ul>	4,5 W $\pm$ 0,5 W 160 lm $\pm$ 10 lm
Neutraalne valge	
<ul style="list-style-type: none"> <li>LED-valgusti toide</li> <li>Lumen</li> </ul>	2,5 W $\pm$ 0,5 W 50 lm $\pm$ 10 lm
<b>Üldised tehnilised andmed</b>	
Ümbritsev temperatuur töötamisel	-10 °C ... 45 °C
Laadimistemperatuur	0 °C ... 45 °C
Hoiustamistemperatuurivahemik:	-20 °C ... 60 °C
Maksimaalne isetühjenemise kiirus temperatuuril 25 °C	5 % kuus
Ümbritsev niiskus	$\leq$ 95 %, mittekondenseeruv
Kaitsetüüp	IP 44
Kasutusiga	2000 laadimistsüklit
Mõõtmed (L $\times$ K $\times$ S)	85 $\times$ 222 $\times$ 85 mm
Kaal	1,8 kg
Test/sertifikaadid	



## Ελληνικά

1	Σημαντικές σημειώσεις.....	225
2	Επεξήγηση των συμβόλων.....	225
3	Υποδείξεις ασφαλείας.....	226
4	Περιεχόμενα συσκευασίας.....	228
5	Προβλεπόμενη χρήση.....	228
6	Τεχνική περιγραφή.....	229
7	Λειτουργία.....	230
8	Καθαρισμός και φροντίδα.....	233
9	Αποθήκευση.....	234
10	Αντιμέτωπιση βλαβών.....	234
11	Απόρριψη.....	235
12	Εγγύηση.....	235
13	Τεχνικά χαρακτηριστικά.....	235

## 1 Σημαντικές σημειώσεις

Παρακαλούμε να διαβάσετε προσεκτικά αυτές τις οδηγίες και να ακολουθήσετε όλες τις οδηγίες, τους κανονισμούς και τις προειδοποιήσεις που περιλαμβάνονται στο εγχειρίδιο αυτού του προϊόντος, έτσι ώστε να διασφαλίζεται πάντοτε η σωστή εγκατάσταση, χρήση και συντήρηση του προϊόντος. Αυτές οι οδηγίες ΠΡΕΠΕΙ πάντοτε να συνοδεύουν το προϊόν.

Με τη χρήση του προϊόντος επιβεβαιώνετε δια του παρόντος ότι έχετε διαβάσει προσεκτικά όλες τις οδηγίες, τους κανονισμούς και τις προειδοποιήσεις καθώς και ότι έχετε κατανοήσει και συμφωνείτε να τηρήσετε τους όρους και τις προϋποθέσεις που ορίζονται στο παρόν έγγραφο. Συμφωνείτε να χρησιμοποιείτε αυτό το προϊόν μόνο για τον προβλεπόμενο σκοπό και την προβλεπόμενη χρήση, πάντοτε σύμφωνα με τις οδηγίες, τους κανονισμούς και τις προειδοποιήσεις που ορίζονται στο παρόν εγχειρίδιο προϊόντος καθώς και σύμφωνα με όλους τους ισχύοντες νόμους και κανονισμούς. Σε περίπτωση μη ανάγνωσης και τήρησης των οδηγιών και των προειδοποιήσεων που ορίζονται στο παρόν έγγραφο, ενδέχεται να προκληθούν τραυματισμοί σε εσάς τον ίδιο και σε τρίτους, ζημιά στο προϊόν σας ή υλικές ζημιές σε άλλες ιδιοκτησίες στο άμεσο περιβάλλον. Αυτό το εγχειρίδιο προϊόντος, συμπεριλαμβανομένων των οδηγιών, των κανονισμών, των προειδοποιήσεων και των σχετικών εγγράφων, ενδέχεται να υποβληθεί σε τροποποιήσεις και ενημερώσεις. Για ενημερωμένες πληροφορίες για το προϊόν, επισκεφθείτε την ηλεκτρονική διεύθυνση [documents.dometic.com](http://documents.dometic.com).

## 2 Επεξήγηση των συμβόλων



### ΠΡΟΕΙΔΟΠΟΙΗΣΗ!

Καταδεικνύει μια επικίνδυνη κατάσταση, η οποία εάν δεν αποτραπεί, μπορεί να προκληθεί θανατηφόρο ατύχημα ή σοβαρός τραυματισμός.



### ΠΡΟΦΥΛΑΞΗ!

Καταδεικνύει μια επικίνδυνη κατάσταση, η οποία εάν δεν αποτραπεί, μπορεί να προκληθεί μικρή ή μέτρια σοβαρότητα τραυματισμός.



### ΠΡΟΣΟΧΗ!

Καταδεικνύει μια κατάσταση, η οποία εάν δεν αποτραπεί, μπορεί να προκληθούν υλικές ζημιές.



**ΥΠΟΔΕΙΞΗ** Συμπληρωματικά στοιχεία για τον χειρισμό του προϊόντος.

## 3 Υποδείξεις ασφαλείας

### Βασική ασφάλεια



#### ΠΡΟΕΙΔΟΠΟΙΗΣΗ! Κίνδυνος ηλεκτροπληξίας

- Μην θέσετε σε λειτουργία τη συσκευή, εάν παρουσιάζει εμφανείς ζημιές.
- Η επισκευή της συσκευής επιτρέπεται να εκτελείται μόνο από εξειδικευμένο προσωπικό. Σε περίπτωση μη ενδεδειγμένων επισκευών ενδέχεται να προκύψουν σοβαροί κίνδυνοι.
- Μην αποσυναρμολογείτε τη συσκευή.
- Μην τροποποιείτε ή προσαρμόζετε κανένα επιμέρους εξάρτημα με οποιονδήποτε τρόπο.
- Πρέπει να χρησιμοποιείτε μόνο παρελκόμενα και ανταλλακτικά που συνιστώνται από τον κατασκευαστή.
- Μην χρησιμοποιείτε τη συσκευή σε υγρές συνθήκες και μην την βυθίζετε σε υγρά. Αποθηκεύστε την σε χώρους χωρίς υγρασία.
- Πρέπει να απενεργοποιείτε τη συσκευή και να την αποσυνδέετε από την παροχή ρεύματος πριν από κάθε εργασία καθαρισμού ή συντήρησης και μετά από κάθε χρήση.



#### ΠΡΟΕΙΔΟΠΟΙΗΣΗ! Κίνδυνος τραυματισμού

Οι μπαταρίες περιέχουν δραστικά και καυστικά οξέα. Αποφύγετε την επαφή του υγρού μπαταρίας με το σώμα σας. Εάν το δέρμα σας έρθει σε επαφή με υγρό μπαταρίας, πλύνετε αυτό το μέρος του σώματός σας σχολαστικά με άφθονο νερό. Εάν υποστείτε τραυματισμούς από οξέα, επικοινωνήστε αμέσως με έναν γιατρό.



#### ΠΡΟΕΙΔΟΠΟΙΗΣΗ! Κίνδυνος για την υγεία

- Μην ανοίγετε τις μπαταρίες, μην τους προκαλείτε ζημιά και μην τις αφήνετε να περάσουν στο περιβάλλον, γιατί περιέχουν τοξικά και περιβαλλοντικά επιβλαβή βαρέα μέταλλα.
- Αυτή η συσκευή μπορεί να χρησιμοποιηθεί από παιδιά ηλικίας 8 ετών και επάνω καθώς και άτομα με μειωμένες φυσικές, αισθητηριακές ή πνευματικές ικανότητες ή με έλλειψη εμπειρίας και γνώσεων, εάν επιτηρούνται ή τους έχουν δοθεί οδηγίες σχετικά με τη χρήση της συσκευής με ασφαλή τρόπο και κατανοούν τους σχετικούς κινδύνους.
- **Οι ηλεκτρικές συσκευές δεν είναι παιχνίδια.** Η συσκευή πρέπει πάντοτε να φυλάσσεται και να χρησιμοποιείται μακριά από παιδιά πολύ μικρής ηλικίας.
- Τα παιδιά πρέπει να επιτηρούνται, για να διασφαλίζεται ότι δεν παίζουν με τη συσκευή.
- Ο καθαρισμός και η συντήρηση χρήστη δεν επιτρέπεται να πραγματοποιούνται από παιδιά χωρίς επιτήρηση.



#### ΠΡΟΣΟΧΗ! Κίνδυνος πρόκλησης ζημιάς

- Πριν από τη θέση σε λειτουργία, βεβαιωθείτε ότι η προδιαγραφη τάσης στην πινακίδα τύπου είναι ίδια με την υπάρχουσα τροφοδοσία ηλεκτρικού ρεύματος.
- Βεβαιωθείτε ότι **δεν μπορεί** να προκληθεί βραχυκύκλωμα στις επαφές της συσκευής από άλλα αντικείμενα.

- Βεβαιωθείτε ότι οι αρνητικοί και οι θετικοί πόλοι δεν έρχονται **ποτέ** σε επαφή μεταξύ τους.
- Μην χρησιμοποιείτε τα καλώδια ως λαβή.

## Ασφαλής λειτουργία της συσκευής



### ΠΡΟΦΥΛΑΞΗ! Κίνδυνος έκρηξης

- Μην χρησιμοποιείτε τη συσκευή στις παρακάτω συνθήκες:  
Σε αλμυρά ή υγρά περιβάλλοντα καθώς και σε περιβάλλοντα με αυξημένη υγρασία  
Κοντά σε διαβρωτικές αναθυμιάσεις  
Κοντά σε εύφλεκτα υλικά  
Σε περιοχές που υπάρχει κίνδυνος έκρηξης λόγω αερίων ή σκόνης
- Μην επιχειρείτε ποτέ να φορτίσετε μια παγωμένη ή ελαττωματική μπαταρία. Τοποθετήστε την μπαταρία σε ένα σημείο όπου δεν επικρατούν συνθήκες παγετού και περιμένετε μέχρι να εγκλιματιστεί η μπαταρία στη θερμοκρασία του περιβάλλοντος.
- Μην τοποθετείτε τη συσκευή κοντά σε πηγές θερμότητας (θερμάστρες, άμεση ηλιακή ακτινοβολία, φούρνους αερίου κ.λπ.).
- Μην καπνίζετε, μην χρησιμοποιείτε ακάλυπτη φλόγα και μην προκαλείτε σπινθήρες κοντά στο πακέτο μπαταριών.
- Μην αφήνετε τη συσκευή χωρίς επιτήρηση, όταν χρησιμοποιείται.



### ΠΡΟΦΥΛΑΞΗ! Κίνδυνος ηλεκτροπληξίας

- Προτού θέσετε σε λειτουργία τη συσκευή, βεβαιωθείτε ότι το καλώδιο παροχής ρεύματος και το φις είναι στεγνά και ότι το φις δεν έχει πάνω του σκουριά ή βρομιά.
- Όταν εκτελείτε εργασίες σε ηλεκτρικά συστήματα, πρέπει να εξασφαλίζετε ότι υπάρχει κάποιος κοντά σας, που μπορεί να σας βοηθήσει σε περιπτώσεις έκτακτης ανάγκης.
- Τοποθετήστε κατάλληλα τα καλώδια, ώστε να μην υπάρχει κίνδυνος να υποστούν ζημιά από κοφτερές ακμές, πόρτες ή το καπό. Μην τσακίζετε υπερβολικά κανένα καλώδιο κατά την τοποθέτησή. Τα καλώδια που έχουν υποστεί σύνθλιψη μπορεί να αποτελέσουν αιτία σοβαρών τραυματισμών.
- Μην αποσυνδέετε κανένα καλώδιο, όταν η συσκευή είναι σε λειτουργία.



### ΠΡΟΦΥΛΑΞΗ! Κίνδυνος πυρκαγιάς

- Για να αποφύγετε την πρόκληση ζημιάς στα εξωτερικά και εσωτερικά εξαρτήματα, μην ρίχνετε τη συσκευή κάτω, μην τη χτυπάτε και μην ασκείτε πάνω της υπερβολική δύναμη.
- Μην τοποθετείτε τη συσκευή κοντά σε εύφλεκτα υλικά.



### ΠΡΟΦΥΛΑΞΗ! Κίνδυνος τραυματισμού

Όταν τοποθετείτε τη συσκευή, πρέπει να βεβαιώνετε ότι όλα τα καλώδια έχουν στερεωθεί κατάλληλα, ώστε να μην υπάρχει κανένας κίνδυνος να σκοντάψει κανείς σε αυτά.



### ΠΡΟΣΟΧΗ! Κίνδυνος πρόκλησης ζημιάς

- Βεβαιωθείτε ότι οι είσοδοι και έξοδοι αέρα της συσκευής δεν είναι καλυμμένες.
- Διασφαλίστε τον καλό εξαερισμό.
- Τοποθετήστε τη συσκευή σε ένα στεγνό σημείο, στο οποίο είναι προστατευμένη από τυχόν εκτοξευόμενα νερά.
- Μην τραβάτε το φις από το καλώδιο σύνδεσης για να το αποσυνδέσετε από την πρίζα.

- Κατά την αποθήκευση, πρέπει να τυλίγετε χαλαρά το καλώδιο. Εάν τυλίξετε το καλώδιο σφικτά, μπορεί να προκληθεί ζημιά σε αυτό και στα εσωτερικά εξαρτήματα.
- Αποφύγετε τη βαθιά αποφόρτιση της συσκευής.

## 4 Περιεχόμενα συσκευασίας

Ποσότητα	Περιγραφή
1	Φορητό πακέτο μπαταριών
1	Καλώδιο φόρτισης (USB-C σε USB-C)
1	Καλώδιο φόρτισης για το αυτοκίνητο (θύρα αναπητήρα σε DC5525)
1	Συνοπτικό εγχειρίδιο χρήσης
1	Οδηγίες χειρισμού (μόνο σε ψηφιακή μορφή)

## 5 Προβλεπόμενη χρήση

Το φορητό πακέτο μπαταριών προορίζεται για φόρτιση ψηφιακών κινητών συσκευών (π.χ., κινητά τηλέφωνα, tablet, φορητοί υπολογιστές, κάμερες κ.λπ.) ή για τη λειτουργία συσκευών 12 V (π.χ., αεραντλίες, φορητά ψυγεία και άλλος υπαίθριος εξοπλισμός), καθώς και για χρήση ως φακός.

Το φορητό πακέτο μπαταριών είναι κατάλληλο για χρήση στην ύπαιθρο, π.χ. σε περηνγήσεις.

Το φορητό πακέτο μπαταριών **δεν** είναι κατάλληλο για

- Παράλληλη σύνδεση με άλλα φορητά πακέτα μπαταριών
- Επαγγελματική χρήση

Αυτό το προϊόν είναι κατάλληλο μόνο για τον προβλεπόμενο σκοπό και την προβλεπόμενη χρήση σύμφωνα με αυτές τις οδηγίες.

Αυτό το εγχειρίδιο παρέχει πληροφορίες που είναι απαραίτητες για τη σωστή εγκατάσταση και χρήση του προϊόντος. Τυχόν μη ενδεδειγμένη εγκατάσταση, χρήση ή/και συντήρηση θα έχει ως συνέπεια την ανεπαρκή απόδοση και ενδεχομένως την πρόκληση βλάβης.

Ο κατασκευαστής δεν αποδέχεται καμία ευθύνη για τυχόν τραυματισμούς ή ζημιές στο προϊόν, που οφείλονται σε:

- Λανθασμένη τοποθέτηση, συναρμολόγηση ή σύνδεση, συμπεριλαμβανομένης της υπερβολικά υψηλής τάσης
- Λανθασμένη συντήρηση ή χρήση μη αυθεντικών ανταλλακτικών εξαρτημάτων, που δεν προέρχονται από τον κατασκευαστή
- Μετατροπές στο προϊόν χωρίς τη ρητή άδεια του κατασκευαστή
- Χρήση για σκοπούς διαφορετικούς από αυτούς που περιγράφονται σε αυτό το εγχειρίδιο

Η Dometic διατηρεί το δικαίωμα αλλαγής της εμφάνισης και των προδιαγραφών του προϊόντος.

## 6 Τεχνική περιγραφή

### Γενική περιγραφή

Το πακέτο μπαταριών διαθέτει μπαταρία φωσφορικού σιδήρου λιθίου και ενσωματωμένο φακό LED.

Σε μία από τις δύο εξόδους USB (**2** και **4**, σχ. **1** στη σελίδα 230) μπορούν να φορτιστούν ψηφιακές κινητές συσκευές. Επιπλέον, η συσκευή μπορεί να χρησιμοποιηθεί για τη λειτουργία συσκευών 12 V μέσω της εξόδου DC (σύνδεση προσαρμογέα φόρτισης για αυτοκίνητο, **5**, σχ. **1** στη σελίδα 230).

Η φόρτιση του φορητού πακέτου μπαταριών μπορεί να γίνεται μέσω της εισόδου USB-C (**2**, σχ. **1** στη σελίδα 230) ή μέσω της εισόδου DC (**6**, σχ. **1** στη σελίδα 230).

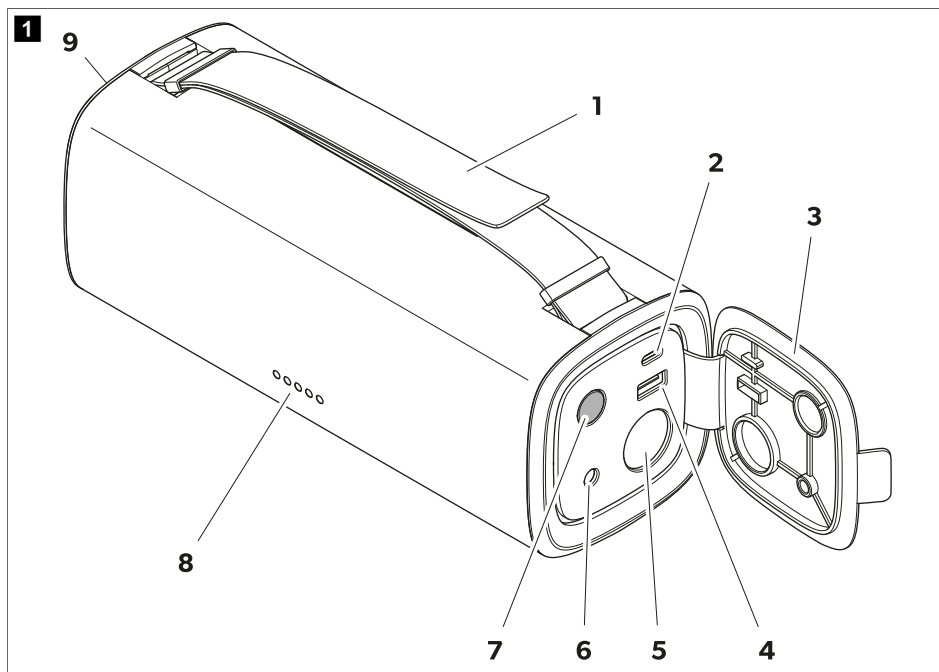
Η διαδικασία φόρτισης και η τρέχουσα κατάσταση φόρτισης παρουσιάζονται μέσω του δείκτη κατάστασης μπαταρίας (**8**, σχ. **1** στη σελίδα 230). Ο δείκτης κατάστασης μπαταρίας ενεργοποιείται όταν:

- Γίνεται φόρτιση του πακέτου μπαταριών.
- Συνδέεται ένα φορτίο στο πακέτο μπαταριών.
- Τίθεται σε λειτουργία ο φακός.

Το φορητό πακέτο μπαταριών διαθέτει τους ακόλουθους μηχανισμούς προστασίας:

- Προστασία από υψηλές και χαμηλές θερμοκρασίες
- Προστασία από υπερένταση ρεύματος
- Προστασία από υπερβολικά υψηλή και υπερβολικά χαμηλή τάση στις εισόδους
- Προστασία από υπερβολικά υψηλή τάση στις εξόδους
- Προστασία βραχυκυκλώματος
- Προστασία από υπερφόρτιση και βαθιά αποφόρτιση

## Περιγραφή της συσκευής



Αρ.	Επεξήγηση	Αρ.	Επεξήγηση
1	Ρυθμιζόμενη λαβή μεταφοράς	6	Είσοδος DC5525 (12 V ... 32 V)
2	Είσοδος / έξοδος USB-C (5 V/3 A, 9 V/3 A, 12 V/3 A, 15 V/3 A, 20 V/3 A)	7	Πλήκτρο On/Off
3	Καπάκι συσκευής	8	Δείκτης LED κατάστασης μπαταρίας
4	Έξοδος USB-A (5 V/2,4 A, 9 V/2 A, 12 V/1,5 A)	9	Φακός LED
5	Έξοδος DC (12 V/15 A)		

## 7 Λειτουργία



### ΠΡΟΣΟΧΗ! Κίνδυνος πρόκλησης ζημιάς

Πρέπει να φορτίζετε το πακέτο μπαταριών μετά από κάθε χρήση.



**ΥΠΟΔΕΙΞΗ** Η φόρτιση ψηφιακών κινητών συσκευών, η λειτουργία συσκευών 12 V και η φόρτιση του πακέτου μπαταριών μπορούν να γίνουν ταυτόχρονα.

## Πριν από την πρώτη χρήση

- > Φορτίστε το πακέτο μπαταριών πριν από την πρώτη χρήση μέχρι να επιτευχθεί πλήρης φόρτιση (βλ. κεφάλαιο Φόρτιση του πακέτου μπαταριών στη σελίδα 231).

## Φόρτιση του πακέτου μπαταριών



### ΠΡΟΣΟΧΗ! Κίνδυνος πρόκλησης ζημιάς

- Προβλέψτε για την ύπαρξη επαρκούς εξαερισμού και εξασφαλίστε ότι η θερμότητα που παράγεται κατά τη διάρκεια της διαδικασίας φόρτισης μπορεί να αποβάλλεται από το πακέτο μπαταριών.
- Βεβαιωθείτε ότι η τάση ανοικτού κυκλώματος (Voc) της μπαταρίας του οχήματος ή του ηλιακού πάνελ δεν υπερβαίνει τα 32 V.

Ο απαιτούμενος χρόνος φόρτισης του πακέτου μπαταριών εξαρτάται από την πηγή φόρτισης και την είσοδο φόρτισης που έχει επιλεγεί. Το φορητό πακέτο μπαταριών μπορεί να φορτιστεί έως το 60 W μέσω της εισόδου USB-C ή έως το 100 W μέσω της εισόδου DC. Όταν γίνεται φόρτιση ταυτόχρονα μέσω της εισόδου USB-C και της εισόδου DC, η ισχύς φόρτισης μπορεί να αυξηθεί έως τα 120 W.


Η είσοδος DC υποστηρίζει φόρτιση και μέσω των μπαταριών των οχημάτων και μέσω της ηλιακής ισχύος.

1. Τοποθετήστε το πακέτο μπαταριών σε μια ακλόνητη και ανθεκτική στη θερμότητα βάση.
  2. Ανοίξτε το καπάκι της συσκευής για να αποκτήσετε πρόσβαση στις συνδέσεις και τα στοιχεία ελέγχου.
  3. Συνδέστε μια κατάλληλη πηγή ρεύματος (π.χ., μπαταρία οχήματος, ηλιακό πάνελ) στην είσοδο DC ή στην είσοδο USB-C του πακέτου μπαταριών.
- ✓ Ο δείκτης κατάστασης μπαταρίας υποδεικνύει την κατάσταση φόρτισης (βλ. κεφάλαιο Έλεγχος της κατάστασης φόρτισης στη σελίδα 231). Η λυχνία LED για την επόμενη υψηλότερη στάθμη φόρτισης αναβοσβήνει μέχρι να επιτευχθεί η στάθμη πλήρους φόρτισης.

Η διαδικασία φόρτισης σταματά αυτόματα όταν φορτιστεί πλήρως το πακέτο μπαταριών. Όλες οι λυχνίες LED του δείκτη κατάστασης μπαταρίας είναι αναμμένες.

4. Μετά από τη φόρτιση, αφαιρέστε όλα τα καλώδια φόρτισης και κλείστε το καπάκι της συσκευής.

## Έλεγχος της κατάστασης φόρτισης

- > Πατήστε το κουμπί  για να ενεργοποιήσετε ή να απενεργοποιήσετε τον δείκτη κατάστασης μπαταρίας (8, σχ. 1 στη σελίδα 230).



### ΥΠΟΔΕΙΞΗ

- Ο δείκτης κατάστασης μπαταρίας απενεργοποιείται αυτόματα εάν δεν συνδεθεί κανένα φορτίο και καμία πηγή φόρτισης.
  - Μόλις η κατάσταση φόρτισης μειωθεί κάτω από 5 %, η λυχνία LED 1 αρχίζει να αναβοσβήνει για να υποδείξει χαμηλή κατάσταση φόρτισης της μπαταρίας.
- ✓ Ο δείκτης κατάστασης μπαταρίας υποδεικνύει την κατάσταση φόρτισης μεταξύ 0 % (αποφορτισμένη) και 100 % (πλήρως φορτισμένη).

Δείκτης κατάστασης μπαταρίας					Χωρητικότητα μπαταρίας
LED 1	LED 2	LED 3	LED 4	LED 5	
○	○	○	○	○	0 %
●	○	○	○	○	5 ... 20 %
●	●	○	○	○	21 ... 40 %
●	●	●	○	○	41 ... 60 %
●	●	●	●	○	61 ... 80 %
●	●	●	●	●	81 ... 100 %

## Χρήση του φακού LED

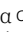



### ΠΡΟΦΥΛΑΞΗ! Κίνδυνος τραυματισμού

Αποφεύγετε να κοιτάζετε απευθείας προς τον φακό LED, γιατί μπορεί να προκληθεί βλάβη στα μάτια.



**ΥΠΟΔΕΙΞΗ** Ο φακός ρυθμίζεται σε 2 θερμοκρασίες χρώματος: Ουδέτερο λευκό (στα 4300 K) και ψυχρό λευκό (στα 6400 K).

1. Ανοίξτε το καπάκι της συσκευής για να αποκτήσετε πρόσβαση στις συνδέσεις και τα στοιχεία ελέγχου.
2. Για να ανάψετε ή να σβήσετε τον φακό, πατήστε παρατεταμένα το κουμπί  για 3 s.  
✓ Ανάβει ο δείκτης κατάστασης μπαταρίας.
3. Πατήστε το κουμπί  για εναλλαγή μεταξύ των θερμοκρασιών χρώματος.



**ΥΠΟΔΕΙΞΗ** Εάν συνδεθούν φορτία ή πηγές φόρτισης, η θερμοκρασία ψυχρού λευκού δεν είναι διαθέσιμη και ο φακός ρυθμίζεται αυτόματα στο ουδέτερο λευκό.

4. Κρατήστε τον φακό από τη λαβή μεταφοράς. Η λαβή μεταφοράς ρυθμίζεται στο απαιτούμενο μήκος.
5. Μετά από τη χρήση, κλείστε το καπάκι της συσκευής.

## Φόρτιση ψηφιακών συσκευών μέσω USB

Η έξοδος USB-C διαθέτει ισχύ φόρτισης 60 W, ενώ η έξοδος USB-A διαθέτει ισχύ φόρτισης 18 W.



### ΥΠΟΔΕΙΞΗ

- Η φόρτιση ψηφιακών κινητών συσκευών δεν είναι εφικτή εάν το πακέτο μπαταριών είναι σε κατάσταση χαμηλής στάθμης μπαταρίας (κατάσταση φόρτισης < 5 %).
- Υπάρχει δυνατότητα ταυτόχρονης φόρτισης δύο ψηφιακών κινητών συσκευών μέσω των δύο εξόδων USB.

1. Ανοίξτε το καπάκι της συσκευής για να αποκτήσετε πρόσβαση στις συνδέσεις και τα στοιχεία ελέγχου.



2. Επιλέξτε ένα καλώδιο φόρτισης με κατάλληλο προσαρμογέα ανάλογα με την έξοδο USB που θα χρησιμοποιηθεί και συνδέστε το πακέτο μπαταριών στην ψηφιακή συσκευή.
- ✓ Η ψηφιακή συσκευή φορτίζεται αυτόματα μέσω του πακέτου μπαταριών. Ο δείκτης κατάστασης μπαταρίας υποδεικνύει την απομένουσα κατάσταση φόρτισης στο πακέτο μπαταριών.
3. Μετά από τη φόρτιση, αφαιρέστε όλα τα καλώδια φόρτισης και κλείστε το καπάκι της συσκευής.

## Λειτουργία συσκευών 12 V



### ΠΡΟΣΟΧΗ! Κίνδυνος πρόκλησης ζημιάς

Προβλέψτε για την ύπαρξη επαρκούς εξαερισμού και εξασφαλίστε ότι η παραγόμενη θερμότητα μπορεί να αποβάλλεται από το πακέτο μπαταριών.



**ΥΠΟΔΕΙΞΗ** Η λειτουργία συσκευών 12 V δεν είναι εφικτή μόλις το πακέτο μπαταριών φτάσει σε κατάσταση χαμηλής στάθμης μπαταρίας (κατάσταση φόρτισης < 5 %).

Η έξοδος DC παρέχει μια κινητή παροχή ρεύματος με συνεχή ισχύ έως 150 W.

1. Τοποθετήστε το πακέτο μπαταριών σε μια ακλόνητη και ανθεκτική στη θερμότητα βάση.
2. Ανοίξτε το καπάκι της συσκευής για να αποκτήσετε πρόσβαση στις συνδέσεις και τα στοιχεία ελέγχου.
3. Συνδέστε το καλώδιο ρεύματος της συσκευής 12 V στην έξοδο DC του πακέτου μπαταριών.
- ✓ Η συσκευή 12 V τροφοδοτείται αυτόματα με ρεύμα για τη λειτουργία της από το πακέτο μπαταριών. Ο δείκτης κατάστασης μπαταρίας υποδεικνύει την απομένουσα κατάσταση φόρτισης στο πακέτο μπαταριών.
4. Μετά από τη χρήση, αποσυνδέστε το καλώδιο ρεύματος της συσκευής 12 V και κλείστε το καπάκι του πακέτου μπαταριών.

## 8 Καθαρισμός και φροντίδα



### ΠΡΟΕΙΔΟΠΟΙΗΣΗ! Κίνδυνος ηλεκτροπληξίας

Πριν από κάθε εργασία καθαρισμού και συντήρησης, πρέπει να αποσυνδέετε τη συσκευή από την παροχή ρεύματος.



### ΠΡΟΣΟΧΗ! Κίνδυνος πρόκλησης ζημιάς

- Μην καθαρίζετε ποτέ τη συσκευή κάτω από τρεχούμενο νερό ή μέσα σε σαμπουάδα.
  - Για τον καθαρισμό, μην χρησιμοποιείτε αιχμηρά ή σκληρά αντικείμενα, μέσα καθαρισμού που προκαλούν εκτριβή ή λευκαντικά, γιατί μπορεί να προκαλέσουν ζημιά στη συσκευή.
- > Καθαρίστε περιστασιακά τη συσκευή με ένα μαλακό, υγρό πανί.
  - > Ελέγχετε τακτικά τα ρευματοφόρα καλώδια ή τις ρευματοφόρες γραμμές για βλάβες μόνωσης, σημεία θραύσης ή λασκαρισμένες συνδέσεις.

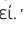
## 9 Αποθήκευση



### ΠΡΟΣΟΧΗ! Κίνδυνος πρόκλησης ζημιάς

- Το πακέτο μπαταριών πρέπει να αποθηκεύεται μόνο πλήρως φορτισμένο. Πρέπει να επαναφορτίζετε το αποθηκευμένο πακέτο μπαταριών τακτικά και τουλάχιστον κάθε 3 – 6 μήνες, ακόμα κι όταν δεν χρησιμοποιείται.
  - Πρέπει να τηρείτε την προβλεπόμενη βέλτιστη θερμοκρασία αποθήκευσης, καθώς η μακροχρόνια αποθήκευση σε υψηλές και χαμηλές θερμοκρασίες μπορεί να μειώσει τη διάρκεια ζωής και την απόδοση του πακέτου μπαταριών.
- > Αποθηκεύστε το πακέτο μπαταριών σε καλά εξαεριζόμενο χώρο χωρίς υγρασία, όπου θα είναι προστατευμένο από τη σκόνη και τη βρομιά.
- > Φροντίστε να ελέγχετε τακτικά την κατάσταση φόρτισης του πακέτου μπαταριών (βλ. κεφάλαιο Έλεγχος της κατάστασης φόρτισης στη σελίδα 231).

## 10 Αντιμετώπιση βλαβών

πρόβλημα	Αιτία	Προτεινόμενη θεραπεία
Το πακέτο μπαταριών δεν λειτουργεί. Το κουμπί  δεν αντιδρά.	Το πακέτο μπαταριών έχει υποστεί βαθιά αποφόρτιση.	Φορτίστε το πακέτο μπαταριών (βλ. κεφάλαιο Φόρτιση του πακέτου μπαταριών στη σελίδα 231).
	Βλάβες στη μόνωση, θραύσεις ή χαλαρές συνδέσεις στα ρευματοφόρα καλώδια.	<ul style="list-style-type: none"> <li>&gt; Ελέγξτε τα ρευματοφόρα καλώδια για βλάβες μόνωσης, σημεία θραύσης ή λασκαρισμένες συνδέσεις.</li> <li>&gt; Εάν δεν μπορείτε να εντοπίσετε κάποιο πρόβλημα, επικοινωνήστε με έναν εξουσιοδοτημένο τεχνικό του τμήματος εξυπηρέτησης πελατών.</li> </ul>
	Ενεργοποιήθηκε η προστασία από υπερένταση ρεύματος στο πακέτο μπαταριών. Ενεργοποιήθηκε η προστασία από βραχυκύκλωμα στο πακέτο μπαταριών.	<ol style="list-style-type: none"> <li>1. Αφαιρέστε τα φορτία από τις εξόδους USB-C, USB-A και DC.</li> <li>2. Μην υπερβαίνετε το μέγιστο φορτίο στις εξόδους (βλ. κεφάλαιο Τεχνικά χαρακτηριστικά στη σελίδα 235) κατά την επανασύνδεση των συσκευών.</li> <li>3. Εάν η φόρτιση δεν ξεκινήσει ανά αμέσως μετά από τη σύνδεση των συσκευών, φορτίστε το πακέτο μπαταριών για να το επανενεργοποιήσετε (βλ. κεφάλαιο Φόρτιση του πακέτου μπαταριών στη σελίδα 231).</li> </ol>

## 11 Απόρριψη



Ανακύκλωση των υλικών συσκευασίας: Εάν είναι εφικτό, απορρίψτε τα υλικά συσκευασίας στους αντίστοιχους κάδους ανακύκλωσης.



Ανακύκλωση προϊόντων με μη αντικαθιστώμενες μπαταρίες, επαναφορτιζόμενες μπαταρίες ή φωτεινές πηγές:

- Εάν το προϊόν περιέχει μη αντικαθιστώμενες μπαταρίες, επαναφορτιζόμενες μπαταρίες ή φωτεινές πηγές, δεν χρειάζεται να τις αφαιρέσετε πριν από την απόρριψή του.
- Εάν επιθυμείτε την τελική απόρριψη του προϊόντος, ζητήστε από το τοπικό κέντρο ανακύκλωσης ή έναν εξειδικευμένο αντιπρόσωπο λεπτομερείς πληροφορίες για τη σχετική διαδικασία σύμφωνα με τους ισχύοντες κανονισμούς διάθεσης απορριμμάτων.
- Το προϊόν μπορεί να απορριφθεί δωρεάν.

## 12 Εγγύηση

Ισχύει η νόμιμη διάρκεια εγγύησης. Εάν το προϊόν είναι ελαττωματικό, επικοινωνήστε με τον αντιπρόσωπο του κατασκευαστή στη χώρα σας (βλ. [dometic.com/dealer](http://dometic.com/dealer)) ή στο κατάστημα αγοράς.


Για τυχόν επισκευή ή αξίωση κάλυψης από την εγγύηση, παρακαλούμε να αποστείλετε επίσης τα παρακάτω έγγραφα μαζί με τη συσκευή:

- Ένα αντίγραφο της απόδειξης αγοράς με την ημερομηνία αγοράς
- Τον λόγο για την αξίωση κάλυψης από την εγγύηση ή μια περιγραφή του σφάλματος

Λάβετε υπόψη ότι τυχόν επισκευή από εσάς τον ίδιο ή μη επαγγελματική επισκευή ενδέχεται να έχει συνέπειες ασφαλείας καθώς και να αποτελέσει αιτία ακύρωσης της εγγύησης.

## 13 Τεχνικά χαρακτηριστικά

<b>Πακέτο μπαταριών</b>	
Τύπος μπαταρίας	Φωσφορικού σιδήρου λιθίου/LiFePO4
Ονομαστική χωρητικότητα μπαταρίας	15 Ah
Ονομαστική τάση μπαταρίας	12,8 V <sub>nom</sub>
<b>Έξοδος USB-A</b>	
Τάση/ονομαστική ένταση ρεύματος εξόδου	5 V <sub>nom</sub> /2,4 A, 9 V <sub>nom</sub> /2 A, 12 V <sub>nom</sub> /1,5 A
<b>Έξοδος/είσοδος USB-C</b>	
Εύρος τάσεων φόρτισης	5 ... 20 V <sub>nom</sub>
Ένταση ρεύματος εισόδου	3 A
<b>Έξοδος DC</b>	
Τάση εξόδου	12 V <sub>nom</sub>
Μέγ. επιτρεπόμενη ένταση ρεύματος	15 A
<b>Είσοδος DC</b>	

Εύρος τάσεων φόρτισης	12 ... 32 V $\overline{\text{DC}}$
Μέγιστη ένταση ρεύματος εισόδου	5,5 A
<b>Φακός LED</b>	
Ψυχρό λευκό	
<ul style="list-style-type: none"> <li>• Ισχύς φωτισμού LED</li> <li>• Lumen</li> </ul>	<p>4,5 W <math>\pm</math> 0,5 W</p> <p>160 lm <math>\pm</math> 10 lm</p>
Ουδέτερο λευκό	
<ul style="list-style-type: none"> <li>• Ισχύς φωτισμού LED</li> <li>• Lumen</li> </ul>	<p>2,5 W <math>\pm</math> 0,5 W</p> <p>50 lm <math>\pm</math> 10 lm</p>
<b>Γενικά τεχνικά στοιχεία</b>	
Θερμοκρασία περιβάλλοντος για τη λειτουργία	-10 °C ... 45 °C
Θερμοκρασία φόρτισης	0 °C ... 45 °C
Περιοχή θερμοκρασίας αποθήκευσης	-20 °C ... 60 °C
Μέγιστη αυτοεκφόρτιση στους 25 °C	5 % ανά μήνα
Υγρασία περιβάλλοντος	$\leq$ 95 %, χωρίς υγροποίηση υδρατμών
Τύπος προστασίας	IP 44
Διάρκεια ζωής	2000 κύκλοι φόρτισης
Διαστάσεις (ΠxΥxΒ)	85 x 222 x 85 mm
Βάρος	1,8 kg
Έλεγχοι / πιστοποιητικά	

## Lietuvių k.

1	Svarbios pastabos.....	237
2	Simbolių paaiškinimas.....	237
3	Saugos instrukcijos.....	238
4	Pristatoma komplektacija.....	239
5	Paskirtis.....	240
6	Techninis aprašymas.....	240
7	Naudojimas.....	241
8	Valymas ir priežiūra.....	244
9	Laikymas.....	244
10	Gedimų nustatymas ir šalinimas.....	244
11	Utilizavimas.....	245
12	Garantija.....	245
13	Techniniai duomenys.....	246

## 1 Svarbios pastabos

Atidžiai perskaitykite šią instrukciją ir sekite visas instrukcijas, nurodymus ir perspėjimus, pateiktus šiame gaminio vadove, ir griežtai jų laikykitės, kad užtikrintumėte, jog šis gaminis visada bus įrengtas, naudojamas ir prižiūrimas tinkamai. Ši instrukcija PRIVALO likti šalia šio gaminio.

Naudodamiesi šiuo gaminiu patvirtinate, kad atidžiai perskaitėte visas instrukcijas, nurodymus ir perspėjimus ir suprantate dokumente išdėstytas sąlygas bei sutinkate jų laikytis. Šį gaminį sutinkate naudoti tik pagal numatytąją paskirtį ir taip, kaip nurodo šioje gaminio instrukcijoje pateiktos instrukcijos, nurodymai ir perspėjimai, taip pat laikydamiesi taikomų teisų ir teisės aktų. Nesusipažinus su šioje instrukcijoje pateiktomis instrukcijomis ir perspėjimais ir jų nesilaikius galite susižaloti patys ir sužaloti kitus asmenis, pažeisti gaminį arba pridaryti žalos kitai netoliese esančiai nuosavybei. Ši gaminio instrukcija, taip pat ir instrukcijos, nurodymai, perspėjimai ir kiti susiję dokumentai, gali būti keičiami ir atnaujinami. Noredami gauti naujausios informacijos apie gaminį, apsilankykite adresu [documents.dometic.com](http://documents.dometic.com).

## 2 Simbolių paaiškinimas



### ISPĖJIMAS!

nurodo pavojingą situaciją, kurios neišvengus gali grėsti mirtinas arba sunkus sužalojimas.



### PERSPĖJIMAS!

nurodo pavojingą situaciją, kurios neišvengus gali grėsti lengvas arba vidutinio sunkumo sužalojimas.



### PRANEŠIMAS!

Nurodo situaciją, kurios neišvengus, gresia materialinė žala.



**PASTABA** Papildoma informacija apie gaminio eksploatavimą.

## 3 Saugos instrukcijos

### Bendroji sauga



#### ĮSPĖJIMAS! Elektros srovės pavojus

- Nenaudokite prietaiso, jei jis pastebimai pažeistas.
- Taisyti prietaisą leidžiama tik kvalifikuotam personalui. Netinkamai remontuojant gali kilti rimtas pavojus.
- Neadykit prietaiso.
- Jokiu būdu nemodifikuokite ir nepadapduokite jokių komponentų.
- Naudokite tik gamintojo rekomenduojamus priedus ir atsargines dalis.
- Nenaudokite prietaiso drėgnomis sąlygomis ir nepamerkite į jokių skystį. Laikykite sausoje vietoje.
- Išjunkite prietaisą ir atjunkite jį nuo maitinimo šaltinio prieš kiekvieną valymą ar priežiūros darbus bei po kiekvieno naudojimo.



#### ĮSPĖJIMAS! Sužalojimų rizika

Akumuliatoriuose yra agresyvių ir edžiųjų rūgščių. Neleiskite akumuliatoriaus skysčiui patekti ant kūno. Jei visgi ant odos patenka akumuliatoriaus skysčio, tą kūno vietą gerai nuplaukite vandeniu. Dėl rūgšties patyrę sužalojimų nedelsiant kreipkitės į gydytoją.



#### ĮSPĖJIMAS! Pavojus sveikatai

- Neatidarykite ir negadinkite akumuliatorių, neišmeskite jų į aplinką, nes juose yra toksiškų ir kenksmingų aplinkai sunkiųjų metalų.
- Šį prietaisą gali naudoti vaikai nuo 8 metų amžiaus ir fizinių, sensorinių arba psichikos sutrikimų turintys arba stokojantys patirties ir žinių asmenys, jeigu jie yra prižiūrimi arba instruktuojami dėl šio prietaiso naudojimo saugiai ir suvokia jo keliamus pavojus.
- **Elektros prietaisai nėra žaislai.** Visada laikykite ir naudokite prietaisą mažiems vaikams nepasiekiamoje vietoje.
- Vaikus reikia prižiūrėti, kad jie nežaistų su prietaisu.
- Vaikams draudžiama šį prietaisą valyti ir atlikti jo techninę priežiūrą be suaugusiųjų priežiūros.



#### PRANEŠIMAS! Žalos pavojus

- Prieš paleisdami įsitinkite, kad tipo etiketėje nurodyta įtampa sutampa su jūsų maitinimo šaltinio įtampa.
- Įsitinkite, kad kiti objektai **negalėtų** sukelti prietaiso kontaktų trumpojo jungimo.
- Užtikrinkite, kad neigiami ir teigiami poliai **niekada** nesusiliestų.
- Nenaudokite kabelių kaip rankenos.

### Saugus prietaiso naudojimas



#### PERSPĖJIMAS! Sprogimo pavojus

- **Nenaudokite** prietaiso esant toliau nurodytoms sąlygoms:  
Sūrioje, šlapioje ar drėgnoje aplinkoje  
šalia išdinančių dūmų;  
šalia degiųjų medžiagų;  
srityse, kuriose kyla dujų ar dulkių sprogimo pavojus.

- Niekada nebandykite įkrauti sušalusio arba sugedusio akumulatoriaus. Laikykite akumulatoriaus bloką neužšalancioje vietoje ir palaukite, kol jis prisitaikys prie aplinkos temperatūros.
- Nestatykite prietaiso arti šilumos šaltinių (šildytuvų, tiesioginės saulės šviesos, dujinių viryklių ir pan.).
- Šalia akumulatoriaus bloko nerūkykite, nenaudokite atviros liepsnos ir venkite kibirkščiavimo.
- Nepalikite prietaiso be priežiūros, kai jis naudojamas.



#### **PERSPĖJIMAS! Elektros srovės pavojus**

- Prieš jungdami prietaisą įsitinkinkite, kad maitinimo kabelis ir kištukas yra sausi, o ant kištuko nėra rūdžių ar nešvarumų.
- Kai dirbate su elektros sistemomis, pasirūpinkite, kad šalia jūsų būtų asmuo, kuris kritiniais atvejais galėtų padėti.
- Kabelius tieskite taip, kad jų negalėtų sugadinti aštrios briaunos, durys ar dangčiai. **Netieskite** jokio kabelio taip, kad jis būtų labai susisukęs. Sutraiškyti kabeliai gali sukelti rimtų sužalojimų.
- Kol naudojate prietaisą, neatjunkite jokių kabelių.



#### **PERSPĖJIMAS! Gaisro pavojus**

- Nemėtykite, nedaužykite ir stipriai nespauskite prietaiso, kad nesugadintumėte išorinių ir vidinių dalių.
- Nedėkite prietaiso šalia degių medžiagų.



#### **PERSPĖJIMAS! Sužalojimų rizika**

Statydami prietaisą į vietą įsitinkinkite, kad visi kabeliai tinkamai pritvirtinti ir išvengsite pavojaus užkliūti.



#### **PRANEŠIMAS! Žalos pavojus**

- Įsitinkinkite, kad prietaiso įsiurbiamo ir išleidžiamo oro angos neuždengtos.
- Užtikrinkite gerą vėdinimą.
- Prietaisą įtaisykite sausoje vietoje, kurioje jis būtų apsaugotas nuo vandens tiškaly.
- Atjungdami kištuką niekada netraukite už laido.
- Sandėliuodami susukite kabelį laisvai; susukus standžiai, gali būti sugadintas kabelis ir vidinės dalys.
- Stenkitės pernelyg neiškrauti prietaiso.

## **4 Pristatoma komplektacija**

<b>Kiekis</b>	<b>Aprašymas</b>
1	Nešiojamasis akumulatoriaus blokas
1	Įkrovimo kabelis (iš USB-C į USB-C)
1	Automobilinis įkrovimo kabelis (iš cigarečių uždegiklio prievado į DC5525)
1	Trumpas naudojimo vadovas
1	Naudojimo vadovas (tik skaitmeninis)

## 5 Paskirtis

Nešiojamasis akumuliatoriaus blokas skirtas įkrauti elektroniniams mobiliams prietaisams (pvz., mobiliams telefonams, planšetiniams ir nešiojamiesiems kompiuteriams, fotoaparatais ir pan.) arba naudoti 12 V prietaisams (pvz., pneumatiniams siurbliams, šaltkrepiams ir kitai lauko įrangai), be to, galima naudoti jį kaip žibintuvėlį.

Nešiojamąjį akumuliatoriaus bloką galima naudoti lauke, pvz., turistaujant.

Nešiojamasis akumuliatoriaus blokas  **nėra** tinkamas

- Lygiagrečiai jungti su kitais nešiojamaisiais akumuliatoriaus blokais
- Komerciniam naudojimui

Šis gaminį galima naudoti tik pagal numatytą paskirtį ir vadovaujantis šiomis instrukcijomis.

Šiame vadove pateikiama informacija, reikalinga tinkamam gaminio įrengimui ir (arba) naudojimui. Dėl prasto įrengimo ir (arba) netinkamo naudojimo būdo ar techninės priežiūros gaminys gali netinkamai veikti ir sugesti.

Gamintojas neprisiims atsakomybės už patirtus sužeidimus ar žalą gaminiui, atsiradusią dėl šių priežasčių:

- Netinkamas montavimas, surinkimas ar prijungimas, įskaitant per aukštą įtampą
- Netinkamos techninės priežiūros arba jeigu buvo naudotos neoriginalios, gamintojo nepateiktos atsarginės dalys
- Gaminio pakeitimai be aiškaus gamintojo leidimo
- Naudojimas kitais tikslais, nei nurodyta šiame vadove

„Dometic“ pasilieka teisę keisti gaminio išvaizdą ir specifikacijas.

## 6 Techninis aprašymas

### Bendras aprašymas

Akumuliatoriaus bloke yra ličio geležies fosfato akumuliatorius ir integruotas LED žibintuvėlis.

Elektroninius mobiliuosius prietaisus galima įkrauti naudojant vieną iš dviejų USB išvesčių (**2** ir **4**, pav. **1** puslapyje 241). Be to, su šiuo prietaisu galima naudoti 12 V prietaisus pro nuolatinės srovės išvestį (jungtis automobiliui įkrovimo adapteriui, **5**, pav. **1** puslapyje 241).

Įkrauti nešiojamąjį akumuliatoriaus bloką galima pro USB-C įvestį (**2**, pav. **1** puslapyje 241) arba nuolatinės srovės įvestį (**6**, pav. **1** puslapyje 241).

Įkrovimo procesas ir dabartinė įkrova rodomi akumuliatoriaus būsenos indikatoriuje (**8**, pav. **1** puslapyje 241). Akumuliatoriaus būsenos indikatorius suaktyvinamas vos tik:

- Pradėjus akumuliatoriaus bloko įkrovimą.
- Prijungus prie akumuliatoriaus bloko apkrovą.
- Įjungus žibintuvėlį.

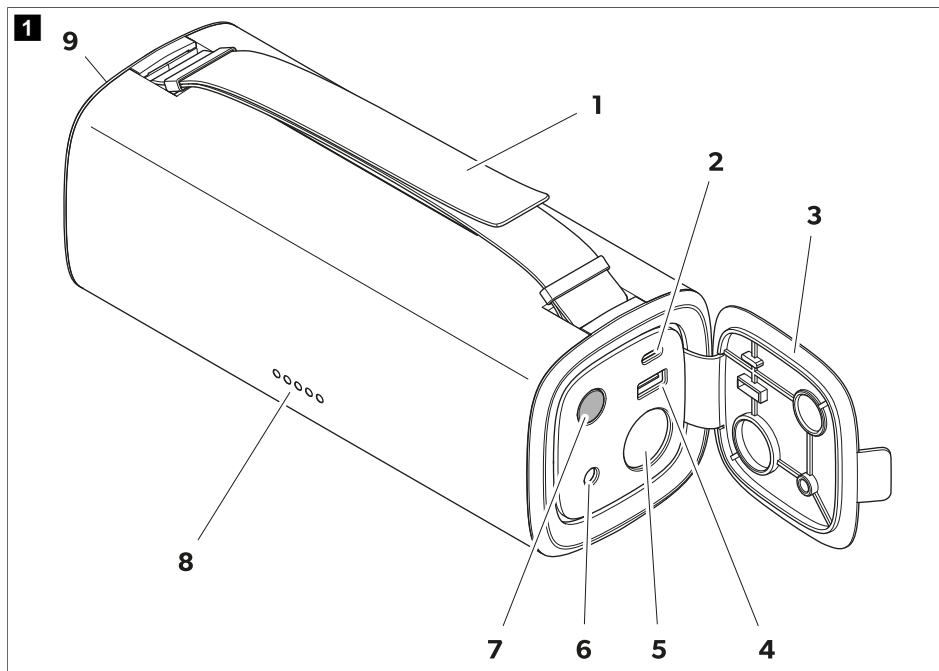
Nešiojamajame akumuliatoriaus bloke yra šie apsaugos mechanizmai:

- Apsauga nuo aukštos ir žemos temperatūros
- Apsauga nuo viršsrovio
- Apsauga nuo per aukštos ir per žemos įtampos įvestyse
- Apsauga nuo viršįtampio išvestyse



- Apsauga nuo trumpojo jungimo
- Apsauga nuo perkrovos ir giliojo iškrovimo

## Prietaiso aprašymas



Nr.	Paiškinimas	Nr.	Paiškinimas
1	Reguliuojama nešiojimo rankena	6	DC5525 įvestis (12 V ... 32 V)
2	USB-C įvestis / išvestis (5 V/3 A, 9 V/3 A, 12 V/3 A, 15 V/3 A, 20 V/3 A)	7	Įjungimo / išjungimo mygtukas
3	Prietaiso dangtelis	8	Akumulatoriaus būsenos LED indikatorius
4	USB-A išvestis (5 V/2,4 A 9 V/2 A, 12 V/1,5 A)	9	LED žibintuvėlis
5	Nuolatinės srovės išvestis (12 V/15 A)		

## 7 Naudojimas



### PRANEŠIMAS! Žalos pavojus

Įkraukite akumulatoriaus bloką po kiekvieno naudojimo.



**PASTABA** Galima įkrauti elektroninius mobiliuosius įrenginius, naudoti 12 V prietaisus ir įkrauti akumulatoriaus bloką vienu metu.

## Prieš pirmąjį naudojimą

- > Prieš pirmąjį naudojimą įkraukite akumuliatoriaus bloką iki pat galo (žr. skyrių Akumuliatoriaus bloko įkrovimas puslapyje 242).

## Akumuliatoriaus bloko įkrovimas



### PRANEŠIMAS! Žalos pavojus

- Pasirūpinkite pakankama ventilacija ir užtikrinkite, kad įkrovimo metu susidariusi šiluma galėtų išsisklaidyti iš akumuliatoriaus bloko.
- Pasirūpinkite, kad transporto priemonės akumuliatoriaus arba saulės modulio atvirosios grandinės įtampa (Voc) neviršytų 32 V.

Reikalingas akumuliatoriaus bloko įkrovimo laikas priklauso nuo pasirinkto įkrovimo šaltinio ir įkrovimo įvesties. Nešiojamajam akumuliatoriaus bloką galima įkrauti iki 60 W naudojant USB-C įvestį arba iki 100 W naudojant nuolatinės srovės įvestį. Įkraunant pro USB-C įvestį ir nuolatinės srovės įvestį vienu metu galima padidinti įkrovimo galią iki 120 W.


Nuolatinės srovės įvestis palaiko įkrovimą iš transporto priemonės akumuliatoriaus ir iš saulės energijos modulio.

1. Padėkite akumuliatoriaus bloką ant tvirto ir karščiui atsparaus pagrindo.
  2. Atidarę prietaiso dangtelį rasite jungtis ir valdiklius.
  3. Prijunkite tinkamą maitinimo šaltinį (pvz., transporto priemonės akumuliatorių, saulės bateriją) prie akumuliatoriaus bloko nuolatinės srovės įvesties arba USB-C įvesties.
- ✓ Akumuliatoriaus būsenos indikatorius rodo įkrovimo būseną (žr. skyrių Įkrovos tikrinimas puslapyje 242). Kito aukštesnio įkrovimo lygio LED mirksi, kol pasiekiamas visiško įkrovimo lygis.

Kai akumuliatoriaus blokas įkraunamas iki galo, įkrovimo procesas automatiškai stabdomas. Švyti visos akumuliatoriaus būsenos indikatorius lemputės.

4. Įkrovę, atjunkite visus įkrovimo kabelius ir uždarykite prietaiso dangtelį.

## Įkrovos tikrinimas

- > Paspausdami mygtuką  galite įjungti arba išjungti akumuliatoriaus būsenos indikatorius (8, pav. 11 puslapyje 241).



### PASTABA

- Akumuliatoriaus būsenos indikatorius automatiškai išsijungia, jei nėra apkrovos ir neprijungtas įkrovimo šaltinis.
- Kai įkrova tampa žemesnė nei 5 %, LED 1 pradeda mirksėti pranešdamas, kad akumuliatorius senka.

- ✓ Akumuliatoriaus būsenos indikatorius rodo įkrovą diapazone nuo 0 % (iškrauta) iki 100 % (visiškai įkrauta).

Akumuliatoriaus būsenos indikatorius					Akumuliatoriaus talpa
LED 1	LED 2	LED 3	LED 4	LED 5	
○	○	○	○	○	0 %
●	○	○	○	○	5 ... 20 %
●	●	○	○	○	21 ... 40 %
●	●	●	○	○	41 ... 60 %

Akumulatoriaus būsenos indikatorius					Akumulatoriaus talpa
LED 1	LED 2	LED 3	LED 4	LED 5	
●	●	●	●	○	61 ... 80 %
●	●	●	●	●	81 ... 100 %

## LED žibintuvėlio naudojimas





### PERSPĖJIMAS! Sužalojimų rizika

Nežiūrėkite tiesiai į LED žibintuvėlį, nes tai gali pakenkti akims.



**PASTABA** Žibintuvėlyje galima nustatyti 2 spalvos temperatūras: neutralią baltą šviesą (4300 K) ir šaltai baltą šviesą (6400 K).

1. Atidarę prietaiso dangtelį rasite jungtis ir valdiklius.
  2. Paspausdami mygtuką  ir palaikydami 3 s įjunkite arba išjunkite žibintuvėlį.
- ✓ Akumulatoriaus būsenos indikatorius švyti.
3. Paspausdami mygtuką  galite perjungti spalvos temperatūrą.



**PASTABA** Jei prijungta apkrovė arba įkrovimo šaltinių, šaltai baltos šviesos naudoti negalima ir žibintuvėlis automatiškai perjungiamas į neutralią baltą šviesą.

4. Laikykite žibintuvėlį už nešiojimo rankenos. Galima nustatyti norimą nešiojimo rankenos ilgį.
5. Baigę naudoti, uždarykite prietaiso dangtelį.

## Elektroninių prietaisų įkrovimas per USB

USB-C išvesties įkrovimo galia yra 60 W, o USB-A išvesties – 18 W.



### PASTABA

- Įkrauti elektroninių mobiliųjų prietaisų negalima, jei akumulatoriaus blokas senka (įkrova < 5 %).
- Vienu metu galima įkrauti du elektroninius mobiliuosius prietaisus naudojant abi USB išvestis.

1. Atidarę prietaiso dangtelį rasite jungtis ir valdiklius.
  2. Pasirinkite įkrovimo kabelį su tinkamu adapteriu priklausomai nuo naudosimos USB išvesties ir prijunkite akumulatoriaus bloką prie elektroninio prietaiso.
- ✓ Elektroninis prietaisas automatiškai įkraunamas iš akumulatoriaus bloko. Akumulatoriaus būsenos indikatorius rodo likusią akumulatoriaus bloko įkrovą.
3. Įkrovę, atjunkite visus įkrovimo kabelius ir uždarykite prietaiso dangtelį.

## 12 V prietaisų naudojimas



### PRANEŠIMAS! Žalos pavojus

Pasirūpinkite pakankama ventilacija ir užtikrinkite, kad susidariusi šiluma galėtų išsisklaidyti iš akumulatoriaus bloko.



**PASTABA** Naudoti 12 V prietaisų neįmanoma, kai akumuliatoriaus bloko įkrova sumažėja (įkrova < 5 %).

Nuolatinės srovės išvestis suteikia mobilųjį maitinimo šaltinį, kurio nuolatinė galia siekia iki 150 W.

1. Padėkite akumuliatoriaus bloką ant tvirto ir karščiui atsparaus pagrindo.
  2. Atidarę prietaiso dangtelį rasite jungtis ir valdiklius.
  3. Prijunkite 12 V prietaiso maitinimo kabelį prie akumuliatoriaus bloko nuolatinės srovės išvesties.
- ✓ 12 V prietaisas automatiškai gauna darbui reikalingą energiją iš akumuliatoriaus bloko. Akumuliatoriaus būsenos indikatorius rodo likusią akumuliatoriaus bloko įkrovą.
4. Baigę naudoti, atjunkite 12 V prietaiso maitinimo kabelį ir uždarykite akumuliatoriaus bloko prietaiso dangtelį.

## 8 Valymas ir priežiūra



### ĮSPĖJIMAS! Elektros srovės pavojus

Atjunkite prietaisą nuo maitinimo tinklo prieš kiekvieną valymą ir techninės priežiūros darbus.



### PRANEŠIMAS! Žalos pavojus

- Niekada nevalykite prietaiso po tekančiu arba nešvariu vandeniu.
  - Valydami nenaudokite aštrių arba kietų daiktų, abrazyvinių valymo priemonių arba baliklio, nes jie gali padaryti prietaisui žalos.
- > Retkarčiais nuvalykite prietaisą minkšta drėgna šluoste.
- > Reguliariai tikrinkite kabelius ar linijas, kuriais teka srovė, ar nėra izoliacijos pažeidimų, lūžių arba atsilaisvintų jungčių.

## 9 Laikymas



### PRANEŠIMAS! Žalos pavojus

- Sandėliuokite akumuliatoriaus bloką tik visiškai įkrovę. Reguliariai ir bent kas 3–6 mėnesius įkraukite akumuliatoriaus bloką, net jei jo nenaudojate.
  - Laikykitės nurodytos optimalios laikymo temperatūros, nes ilgalaikis sandėliavimas aukštoje arba žemoje temperatūroje gali sumažinti akumuliatoriaus bloko tinkamumo naudoti laiką ir efektyvumą.
- > Laikykite akumuliatoriaus bloką gerai ventiliuojamoje, sausoje ir nuo dulkių bei nešvarumų apsaugotoje vietoje.
- > Reguliariai tikrinkite akumuliatoriaus bloko įkrovą (žr. skyrių Įkrovos tikrinimas puslapyje 242).

## 10 Gedimų nustatymas ir šalinimas

Problema	Priežastis	Priemonė
Akumuliatoriaus blokas neveikia. Mygtukas  nereaguoja.	Akumuliatoriaus blokas visiškai iškrautas.	Įkraukite akumuliatoriaus bloką (žr. skyrių Akumuliatoriaus bloko įkrovimas puslapyje 242).

Problema	Priežastis	Priemonė
	Elektros kabelių izoliacijos pažeidimai, trūkimai arba atsilaisvinusios jungtys.	<ul style="list-style-type: none"> <li>&gt; Įsitikinkite, kad kabeliai, kuriais teka srovė, neturėtų izoliacijos pažeidų, pertrūkių arba atsilaisvinusių jungčių.</li> <li>&gt; Jei jų negalite rasti pažeidimo, susisiekite su įgaliotuoju techninės priežiūros atstovu.</li> </ul>
	Suaktyvinta akumulatoriaus bloko apsauga nuo viršsrovio. Suaktyvinta akumulatoriaus bloko apsauga nuo trumpojo jungimo.	<ol style="list-style-type: none"> <li>1. Atjunkite aprovas nuo USB-C, USB-A ir nuolatinės srovės išvesčių.</li> <li>2. Vėl prijungdami prietaisus neviršykite maksimalios išvesčių apkrovos (žr. skyrių Techniniai duomenys puslapyje 246).</li> <li>3. Jei įkrovimas neprisideda vos prijungus prietaisus, įkraukite akumulatoriaus bloką, kad jį suaktyvintumėte (žr. skyrių Akumulatoriaus bloko įkrovimas puslapyje 242).</li> </ol>

## 11 Utilizavimas



Pakavimo medžiagos perdirbimas. Jei įmanoma, pakavimo medžiagą sudėkite į atitinkamas perdirbimo šiukšlinadėzes.



Gaminių, kurių sudėtyje yra nekeičiami akumulatoriai, įkraunami akumulatoriai ir šviesos šaltiniai, perdirbimas:

- Jei gaminio sudėtyje yra nekeičiamų akumuliatorių, įkraunamų akumuliatorių ar šviesos šaltinių, prieš utilizuojant jų išimti nereikia.
- Jei norite utilizuoti gaminį, kreipkitės į vietinį perdirbimo centrą arba specializuotą prekybos atstovą, kuris nurodys, kaip tai padaryti pagal galiojančias atliekų šalinimo taisykles.
- Produktą galima utilizuoti nemokamai.

## 12 Garantija


Taikomas įstatymų nustatytas garantinis laikotarpis. Jei gaminys pažeistas, susisiekite su jūsų šalyje veikiančiu gamintojo filialu (žr. [dometic.com/dealer](http://dometic.com/dealer)) arba prekiautoju.

Jei reikalingas remontas ir garantinis aptarnavimas, pristatydami prietaisą pateikite šiuos dokumentus:

- Kvito kopiją su nurodyta pirkimo data
- Pretenzijos priežastį arba gedimo aprašymą

Atminkite, kad savarankiškas arba neprofesionalus remontas gali turėti pasekmių saugai ir anuliuoti garantiją.

## 13 Techniniai duomenys

<b>Akumulatoriaus blokas</b>	
Akumulatoriaus tipas	Ličio geležies fosfato / LiFePO <sub>4</sub>
Vardinė akumulatoriaus talpa	15 Ah
Vardinė akumulatoriaus įtampa	12,8 V <sub>nom</sub>
<b>USB-A išvestis</b>	
Išėjimo įtampa / vardinė srovė	5 V <sub>nom</sub> /2,4 A, 9 V <sub>nom</sub> /2 A, 12 V <sub>nom</sub> /1,5 A
<b>USB-C išvestis / įvestis</b>	
Įkrovimo įtampos diapazonas	5 ... 20 V <sub>nom</sub>
Įvesties srovė	3 A
<b>DC išvestis</b>	
Išvesties įtampa	12 V <sub>nom</sub>
Nurodytoji srovė	15 A
<b>DC įvestis</b>	
Įkrovimo įtampos diapazonas	12 ... 32 V <sub>nom</sub>
Maksimali įėjimo srovė	5,5 A
<b>LED žibintuvėlis</b>	
Šaltai balta šviesa	
<ul style="list-style-type: none"> <li>LED apšvietimo galia</li> <li>Liumenai</li> </ul>	4,5 W ± 0,5 W 160 lm ± 10 lm
Neutrali balta šviesa	
<ul style="list-style-type: none"> <li>LED apšvietimo galia</li> <li>Liumenai</li> </ul>	2,5 W ± 0,5 W 50 lm ± 10 lm
<b>Bendrieji techniniai duomenys</b>	
Darbinė aplinkos temperatūra	-10 °C ... 45 °C
Įkrovimo temperatūra	0 °C ... 45 °C
Laikymo temperatūros diapazonas	-20 °C ... 60 °C
Maksimalus savaiminio išsikrovimo greitis esant 25 °C	5 % per mėnesį
Aplinkos drėgmė	≤ 95 %, be kondensato
Apsaugos tipas	IP 44
Tinkamumo naudoti laikas	2000 įkrovimo ciklų
Matmenys (P x A x G)	85 x 222 x 85 mm
Svoris	1,8 kg
Bandymas / sertifikatai	

## Latviešu

1	Svarīgas piezīmes.....	247
2	Simbolu skaidrojums.....	247
3	Drošības norādes.....	248
4	Komplektācija.....	249
5	Paredzētais izmantošanas mērķis.....	250
6	Tehniskais apraksts.....	250
7	Ekspluatācija.....	251
8	Tīrīšana un apkope.....	254
9	Uzglabāšana.....	254
10	Problēmu novēršana.....	254
11	Atkritumu pārstrāde.....	255
12	Garantija.....	255
13	Tehniskie dati.....	256

## 1 Svarīgas piezīmes

Lūdzam rūpīgi izlasīt un ņemt vērā visus produkta rokasgrāmatā iekļautos norādījumus, vadlīnijas un brīdinājumus, lai nodrošinātu, ka jūs šo produktu vienmēr uzstādāt, lietojat un apkopjat atbilstoši. Šie norādījumi ir OBLIGĀTI jāsaģlabā kopā ar šo produktu.

Lietojot šo produktu, jūs apstiprināt, ka esat rūpīgi izlasījuši visus norādījumus, vadlīnijas un brīdinājumus, un jūs saprotat un piekrītat ievērot šeit izklāstītos noteikumus un nosacījumus. Jūs piekrītat lietot šo produktu tikai tā paredzētajam mērķim un lietojumam saskaņā ar norādījumiem, vadlīnijām un brīdinājumiem, kas izklāstīti šī produkta rokasgrāmatā, kā arī ievērojot visus piemērojamos normatīvos aktus. Šeit izklāstīto norādījumu un brīdinājumu neizlasīšana un neievērošana var izraisīt traumas sev un citiem, vai radīt bojājumus pašam produktam vai apkārt esošam īpašumam. Informācija šajā produkta rokasgrāmatā, tajā skaitā norādījumi, vadlīnijas, brīdinājumi un saistītā dokumentācija, var tikt mainīta papildināta. Lai iegūtu jaunāko informāciju par produktu, apmeklējiet vietni [documents.dometic.com](http://documents.dometic.com).

## 2 Simbolu skaidrojums



### BRĪDINĀJUMS!

Apzīmē bīstamu situāciju, kas var izraisīt nāvējošus vai nopietnus savainojumus, ja netiks novērsta.



### ESIET PIESARDZĪGI!

Apzīmē bīstamu situāciju, kas var izraisīt vieglus vai vidēji smagus savainojumus, ja netiks novērsta.



### ŅEMĪT VĒRĀ!

Apzīmē bīstamu situāciju, kas var izraisīt materiālu kaitējumu, ja netiks novērsta.



**PIEZĪME** Papildu informācija produkta lietošanai.

## 3 Drošības norādes

### Vispārīga drošība



#### BRĪDINĀJUMS! Nāvējoša elektrošoka risks

- Nelietojiet ierīci, ja tai ir redzami bojājumi.
- Šo ierīci drīkst remontēt tikai kvalificēts speciālists. Nepareizs remonts var izraisīt nopietnu apdraudējumu.
- Neizjauciet ierīci.
- Aizliegts jebkādā veidā modificēt vai pielāgot jebkuras no daļām.
- Izmantojiet tikai ražotāja ieteiktos piederumus un rezerves daļas.
- Neizmantojiet ierīci mitrā vidē un negremdējiet to nekāda veida šķidrumā. Glabājiet sausā vietā.
- Izslēdziet un atvienojiet ierīci no barošanas avota pirms katras tīrīšanas vai apkopes reizes un pēc katras lietošanas reizes.



#### BRĪDINĀJUMS! Traumu risks

Akumulatori satur agresīvas un kodīgas skābes. Nepieļaujiet, ka šķidrums no akumulatora nonāk saskarē ar jūsu ķermeni. Ja uz jūsu ādas tomēr nonāk akumulatora šķidrums, rūpīgi nomazgājiet to ar ūdeni. Ja no skābes gūti jebkādi savainojumi, nekavējoties sazinieties ar ārstu.



#### BRĪDINĀJUMS! Apdraudējums veselībai

- Neatveriet vai nesabojājiet akumulatorus un neļaujiet tiem nonākt vidē, jo tie satur toksiskus un videi kaitīgus smagos metālus.
- Bērni, kas sasnieguši 8 gadu vecumu, un personas ar ierobežotām fiziskām, uztveres vai garīgām spējām vai bez pieredzes un zināšanām šo ierīci drīkst lietot tikai tad, ja šādas personas tiek uzraudzītas vai ir saņēmušas norādījumus par ierīces drošu lietošanu, un ir izpratušas iespējamus riskus.
- **Elektroierīces nav rotaļlietas!** Vienmēr glabājiet un izmantojiet ierīci maziem bērniem nepieejamā vietā.
- Bērni jāuzrauga, lai nepieļautu, ka tie spēlējas ar ierīci.
- Bērni drīkst tīrīt ierīci un veikt tās apkopi tikai pieaugušo uzraudzībā.



#### NEMIET VĒRĀ! Bojājumu risks

- Pirms iedarbināšanas pārlicinieties, ka barošanas avota spriegums atbilst datu plāksnītē norādītajam.
- Nodrošiniet, ka citi priekšmeti ierīces savienojuma vietā **nevar** izraisīt īssavienojumu.
- Negatīvie un pozitīvie poli **nekad** nedrīkst saskarties.
- Neizmantojiet kabelus kā rokturi.

### Droša iekārtas lietošana



#### ESIET PIESARDZĪGI! Sprādzienbīstamība

- Ierīci **aizliegts** izmantot tālāk aprakstītajos apstākļos.
  - Slapjā, mitrā vai sājā vidē
  - Kodīgu tvaiku tuvumā
  - Uzliesmojošu vielu tuvumā
  - Vietās, kur pastāv gāzes un putekļu izraisītu sprādzienu risks



- Nekad nemēģiniet uzlādēt sasalušu vai bojātu akumulatoru. Novietojiet akumulatora bloku kādā nesasalstošā vietā un pagaidiet, kamēr akumulators ir uzsilis līdz apkārtējai temperatūrai.
- Nenovietojiet ierīci karstuma avotu tuvumā (sildītāji, tieši saules stari, gāzes plītis u. c.).
- Nesmēķējiet, neizmantojiet atklātu liesmu un neradiet dzirksteles akumulatora bloka tuvumā.
- Lietošanas laikā neatstājiet ierīci bez uzraudzības.



#### **ESIET PIESARDZĪGĪ! Nāvējoša elektrošoka risks**

- Pirms ierīces ieslēgšanas pārlicinieties, ka barošanas kabelis un kontaktdakša ir sausi un ka uz kontaktdakšas nav netīrumu vai rūsas.
- Darba ar elektrosistēmām laikā nodrošiniet, lai tuvumā būtu kāds, kurš ārkārtas gadījumā varētu jums palīdzēt.
- Novietojiet kabelus tā, lai asas malas, durvis vai transportlīdzekļa pārsegs nevar tos sabojāt. **Nenovietojiet** kabelus tā, ka tie ir ļoti sagriezušies. Saspiesti vadi var izraisīt nopietnas traumas.
- Neatvienojiet vadus, kamēr ierīce tiek izmantota.



#### **ESIET PIESARDZĪGĪ! Ugunsdrošības apdraudējums**

- Lai izvairītos no ārējo un iekšējo daļu bojājumiem, nometiet un nesietiet ierīci un neiedarbojieties uz to ar pārmērīgu spēku.
- Nenovietojiet ierīci viegli uzliesmojošu materiālu tuvumā.



#### **ESIET PIESARDZĪGĪ! Traumu risks**

Novietojiet ierīci tā, lai visi kabeli būtu pareizi nostiprināti un aiz tiem nevarētu aizķerties.



#### **ĻEMĪET VĒRĀ! Bojājumu risks**

- Ierīces gaisa ieplūdes un izplūdes atveres nedrīkst būt aizsegta.
- Nodrošiniet piemērotu ventilāciju.
- Uzstādiet ierīci sausā vietā, kur to nevar apšļakstīt.
- Nekādā gadījumā neatvienojiet kontaktdakšu no kontaktligzdas, velkot aiz vada.
- Uzglabājot kabeli, satiniet to vaļīgi, jo cieša satīšana var sabojāt kabeli un iekšējās daļas.
- Izvairieties no ierīces dziļās izlādes.

## 4 Komplektācija

Daudzums	Apraksts
1	Pārnēsājams akumulatora bloks
1	Uzlādes kabelis (USB-C un USB-C savienojums)
1	Automašīnas uzlādes kabelis (piesmēķētāja porta un DC5525 savienojums)
1	Īsā lietošanas rokasgrāmata
1	Lietošanas rokasgrāmata (tikai digitālā versijā)

## 5 Paredzētais izmantošanas mērķis

Pārnēsājams akumulatora bloks ir paredzēts digitālo mobilo ierīču (piemēram, mobilo tālrunu, planšetdatoru, klēpj datoru, kameru utt.) uzlādēšanai vai 12 V ierīču (piemēram, gaisa sūkņu, dzesēšanas kastu un cita āra aprīkojuma) ekspluatācijai, kā arī izmantošanai par lukturīti.

Pārnēsājams akumulatora bloks ir piemērots lietošanai ārpus telpām, piemēram, tūrismam.

Pārnēsājams akumulatora bloks **nav** piemērots tālāk norādītajiem izmantošanas veidiem.

- Paralēlslēgums ar citiem pārnēsājamiem akumulatora blokiem
- Komerccdarbībai

Šis produkts ir piemērots tikai paredzētajam mērķim un lietojumam saskaņā ar šo instrukciju.

Šajā rokasgrāmatā ir sniegta informācija, kas nepieciešama pareizai produkta uzstādīšanai un/vai lietošanai. Nekvalitatīva uzstādīšana un/vai nepareiza lietošana vai apkope izraisīs neatbilstošu darbību un iespējamus bojājumus.

Ražotājs neuzņemas atbildību par savainojumiem vai produkta bojājumiem, kas radušies šādu iemeslu dēļ:

- nepareiza uzstādīšana, montāža vai pievienošana, tostarp pārmērīgs spriegums;
- nepareiza apkope vai tādu neoriģinālo rezerves daļu, kuras nav piegādājis ražotājs, lietošana;
- produkta modifikācijas, kuras ražotājs nav nepārprotami apstiprinājis;
- lietošana citiem mērķiem, kas nav aprakstīti šajā rokasgrāmatā.

Dometic patur tiesības mainīt produkta ārējo izskatu un specifikācijas.

## 6 Tehniskais apraksts

### Vispārīgs apraksts

Akumulatoru blokam ir litija dzelzs fosfāta akumulators un integrēts LED lukturītis.

Digitālās mobilās ierīces var uzlādēt, pievienojot vienai no divām USB izejām (**2** un **4**, att. **1** lpp. 251). Turklāt šo ierīci var izmantot 12 V ierīču darbināšanai, izmantojot līdzstrāvas izeju (savienojums automašīnas uzlādes adapterim, **5**, att. **1** lpp. 251).

Pārnēsājamo akumulatoru var uzlādēt, izmantojot USB-C ieeju (**2**, att. **1** lpp. 251) vai DC ieeju (**6**, ) att. **1** lpp. 251.

Uzlādes procesu un pašreizējo uzlādes stāvokli parāda akumulatora statusa indikators (**8**, att. **1** lpp. 251). Akumulatora statusa indikators tiek aktivizēts, tiklīdz:

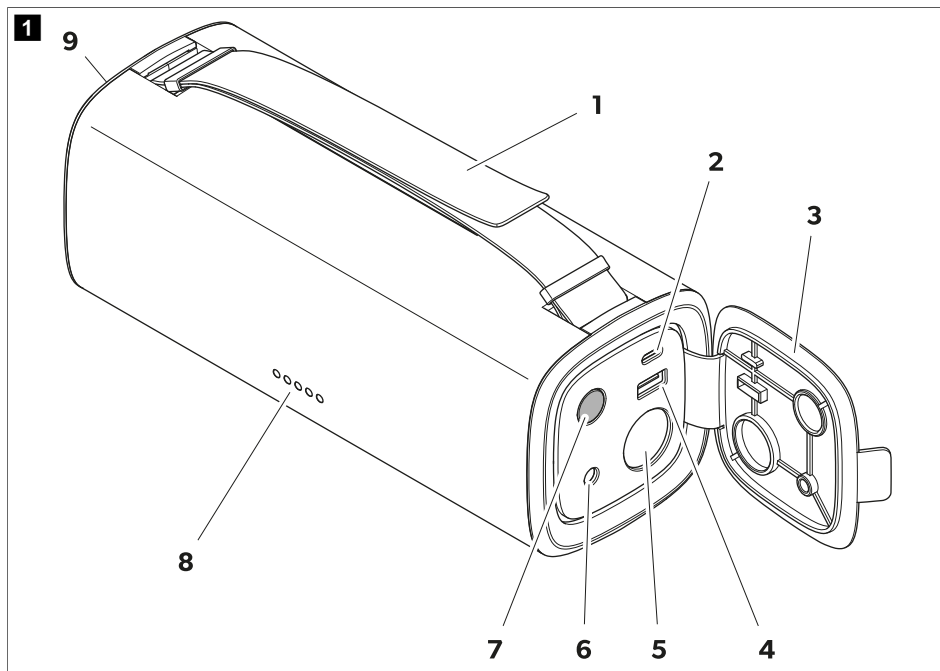
- akumulators tiek uzlādēts;
- akumulators ir savienots ar slodzi;
- lukturītis ir ieslēgts.

Pārnēsājamo akumulatoram ir tālāk norādītie aizsardzības mehānismi.

- Aizsardzība pret augstu un zemu temperatūru
- Aizsardzība pret strāvas pārslodzi
- Aizsardzība pret pārspriegumu un zemspriegumu pie ieejām
- Aizsardzība pret pārspriegumu pie izejām

- Īssavienojuma aizsardzība
- Aizsardzība pret pārlādēšanu un dziļo izlādi

## Ierīces apraksts



Nr.	Skaidrojums	Nr.	Skaidrojums
1	Regulējams rokturis pārnēsāšanai	6	DC5525 ieeja (12 V ... 32 V)
2	USB-C ieeja/izeja (5 V/3 A, / , 9 V3 A 12 V/ ,3 A 15 V3 A 20 V/ , /3 A)	7	Ieslēgšanas/izslēgšanas poga
3	Ierīces vāks	8	LED akumulatora statusa indikators
4	USB-A izeja (5 V/2,4 A, 9 V2 A 12 V/ , /1,5 A)	9	LED lukturītis
5	Līdzstrāvas izeja (12 V/15 A)		

## 7 Eksploatācija



### **NEMIET VĒRĀ! Bojājumu risks**

Uzlādējiet akumulatora bloku pēc katras lietošanas reizes.



**PIEZĪME** Var vienlaikus uzlādēt digitālās mobilās ierīces, izmantot 12 V ierīces un uzlādēt akumulatora bloku.

## Pirms pirmās lietošanas reizes

- > Pirms pirmās lietošanas reizes uzlādējiet akumulatora bloku, līdz tas ir pilnībā uzlādēts (skatiet nodaļu Akumulatora bloka uzlāde lpp. 252).

## Akumulatora bloka uzlāde



### NĒMIET VĒRĀ! Bojājumu risks

- Nodrošiniet pietiekamu ventilāciju un pārļiecinieties, ka uzlādes procesā radīto siltumu var izkļēdēt no akumulatora bloka.
- Nodrošiniet, lai transportlīdzekļa akumulatora vai saules enerģijas moduļa tukšgaitas spriegums (Voc) nepārsniedz 32 V.

Akumulatora bloka uzlādes laiks ir atkarīgs no izvēlēta uzlādes avota un uzlādes ieejas. Pārnēsājamo akumulatora bloku var uzlādēt līdz pat 60 W, izmantojot USB-C ieeju, vai līdz pat 100 W, izmantojot DC ieeju. Vienlaikus uzlādējot pa USB-C ieeju un DC ieeju, uzlādes jaudu var palielināt līdz 120 W.


DC ieeja atbalsta gan uzlādi ar transportlīdzekļa baterijām, gan uzlādi ar saules enerģiju.

1. Novietojiet akumulatora bloku uz stingras un karstumizturīgas pamatnes.
  2. Atveriet ierīces vāku, lai piekļūtu savienojumiem un vadīklām.
  3. Pievienojiet piemērotu barošanas avotu (piemēram, transportlīdzekļa akumulatoru vai saules bateriju paneli) akumulatora bloka DC ieejai vai USB-C ieejai.
- ✓ Akumulatora statusa indikators parāda uzlādes stāvokli (skatiet nodaļu Uzlādes stāvokļa pārbaude lpp. 252). Nākamā augstākā uzlādes līmeņa LED mirgo, līdz tiek sasniegts pilns uzlādes līmenis.

Uzlādes process automātiski apstājas, kad akumulatora bloks ir pilnībā uzlādēts. Deg visas akumulatora statusa indikatora LED.

4. Pēc uzlādes noņemiet visus uzlādes kabeļus un aizveriet ierīces vāku.

## Uzlādes stāvokļa pārbaude

- > Nospiediet  pogu, lai aktivizētu vai deaktivizētu akumulatora statusa indikatoru (8, att. 1 lpp. 251).



### PIEZĪME

- Akumulatora statusa indikators automātiski izslēdzas, ja nav slodzes un nav pievienots uzlādes avots.
- Tiklīdz uzlādes līmenis kļūst mazāks par 5 %, 1. LED sāk mirgot, lai norādītu uz zemu akumulatora uzlādes līmeni.

- ✓ Akumulatora statusa indikators parāda uzlādes stāvokli robežās no 0 % (izlādējies) līdz 100 % (pilnībā uzlādēts).

Akumulatora statusa indikators					Akumulatora kapacitāte
LED 1	LED 2	LED 3	LED 4	LED 5	
○	○	○	○	○	0 %
●	○	○	○	○	5 ... 20 %
●	●	○	○	○	21 ... 40 %
●	●	●	○	○	41 ... 60 %

Akumulatora statusa indikators					Akumulatora kapacitāte
LED 1	LED 2	LED 3	LED 4	LED 5	
●	●	●	●	○	61 ... 80 %
●	●	●	●	●	81 ... 100 %

## LED lukturīša izmantošana





### ESIET PIESARDZĪGI! Traumu risks

Izvairieties skatīties tieši LED lukturīti, jo tas var sabojāt acis.



**PIEZĪME** Lukturītis ir noregulējams 2 krāsu temperatūrās: Neitrāli balts (4300 K) un vēsi balts (6400 K).

1. Atveriet ierīces vāku, lai piekļūtu savienojumiem un vadīklām.
2. Nospiediet un turiet  pogu, lai 3 s ieslēgtu vai izslēgtu lukturīti.
- ✓ Akumulatora statusa indikators deg.
3. Nospiediet  pogu, lai pārslēgtu krāsu temperatūru.



**PIEZĪME** Ja ir pievienota slodze vai uzlādes avoti, vēsās baltās krāsas temperatūra nav pieejama un lukturītis ir automātiski iestatīts ar neitrālu baltu krāsu.

4. Turiet lukturīti aiz pārnēsāšanai paredzētā roktura. Pārnēsāšanas rokturi var pielāgot nepieciešamajā garumā.
5. Pēc lietošanas aizveriet ierīces vāku.

## Digitālo ierīču uzlāde, izmantojot USB

USB-C izejas uzlādes jauda ir 60 W, bet USB-A izejas uzlādes jauda ir 18 W.



### PIEZĪME

- Digitālo mobilo ierīču uzlāde nav iespējama, ja akumulatora bloka uzlādes līmenis ir zems (uzlādes līmenis < 5 %).
- Divas digitālās mobilās ierīces var uzlādēt vienlaicīgi, izmantojot abas USB izejas.

1. Atveriet ierīces vāku, lai piekļūtu savienojumiem un vadīklām.
2. Izvēlieties uzlādes kabeli ar piemērotu adapteri atkarībā no izmantojamās USB izejas un pievienojiet akumulatora bloku digitālajai ierīcei.
- ✓ Digitālā ierīce tiek automātiski uzlādēta, izmantojot akumulatora bloku. Akumulatora statusa indikators parāda atlikušo akumulatora bloka uzlādes līmeni.
3. Pēc uzlādes noņemiet visus uzlādes kabelus un aizveriet ierīces vāku.

## 12 V ierīču izmantošana



### NEMIET VĒRĀ! Bojājumu risks

Nodrošiniet pietiekamu ventilāciju, kā arī nodrošiniet, lai radītais siltums tiktu izkliedēts no akumulatora bloka.



**PIEZĪME** 12 V ierīču izmantošana nav iespējama, kad akumulatora bloka uzlādes līmenis ir zems (uzlādes līmenis < 5 %).

DC izeja nodrošina mobilo barošanas avotu ar līdz pat 150 W nepārtrauktu jaudu.

1. Novietojiet akumulatora bloku uz stingras un karstumizturīgas pamatnes.
  2. Atveriet ierīces vāku, lai piekļūtu savienojumiem un vadīklām.
  3. Pievienojiet 12 V ierīces barošanas kabeli akumulatora bloka līdzstrāvas izejai.
- ✓ 12 V ierīcei tiek automātiski nodrošināta barošana no akumulatora bloka, lai tā varētu darboties. Akumulatora statusa indikators parāda atlikušo akumulatora bloka uzlādes līmeni.
4. Pēc lietošanas atvienojiet 12 V ierīces barošanas kabeli un aizveriet akumulatora bloka ierīces vāku.

## 8 Tīrīšana un apkope



### BRĪDINĀJUMS! Nāvējoša elektrošoka risks

Pirms katras tīrīšanas un apkopes reizes atvienojiet ierīci no barošanas avota.



### NEMIET VĒRĀ! Bojājumu risks

- Ierīci nedrīkst tīrīt tekošā ūdenī vai trauku mazgāšanas mašīnā.
- Tīrīšanai neizmantojiet asus vai cietus priekšmetus, abrazīvus tīrīšanas līdzekļus vai balinātājus, jo tie var sabojāt ierīci.

- > Regulāri tīriet ierīci ar mikstu, mitru drānu.
- > Regulāri pārbaudiet elektroinstalāciju, lai pārliecinātos, ka tai nav izolācijas defektu, pārrāvumu vai valģīgu savienojumu.

## 9 Uzglabāšana



### NEMIET VĒRĀ! Bojājumu risks

- Uzglabājiet tikai pilnīgi uzlādētu akumulatora bloku. Regulāri un vismaz ik pēc 3–6 mēnešiem atkārtoti uzlādējiet uzglabāto akumulatora bloku pat tad, ja tas netiek lietots.
- Ievērojiet norādīto optimālo uzglabāšanas temperatūru, jo ilgstoša uzglabāšana augstā un zemā temperatūrā var samazināt akumulatora bloka darbību un veiktspēju.

- > Uzglabājiet akumulatora bloku labi vēdinātā, sausā vietā, kur tas ir aizsargāts no putekļiem un netīrumiem.
- > Regulāri pārbaudiet akumulatora bloka uzlādes stāvokli (skatiet nodaļu Uzlādes stāvokļa pārbaude lpp. 252).

## 10 Problēmu novēršana

Problēma	Cēlonis	Līdzeklis
Akumulatora bloks nedarbojas. ⓘ po-ga nereaģē.	Akumulatora bloks ir dziļi izlādējies.	Uzlādējiet akumulatora bloku (skatiet nodaļu Akumulatora bloka uzlāde lpp. 252).

Problēma	Cēlonis	Līdzeklis
	Vadiem, pa kuriem plūst strāva, ir bojāta izolācija, pārrāvumi vai vaļīgi savienojumi.	<ul style="list-style-type: none"> <li>&gt; Pārbaudiet, vai vadiem, kuros plūst strāva, nav izolācijas defektu, pārrāvumu vai vaļīgu savienojumu.</li> <li>&gt; Ja neizdodas atrast problēmas cēloni, sazinieties ar pilnvarotu servisa pārstāvi.</li> </ul>
	Aktivizēta akumulatora bloka strāvas pārslodzes aizsardzība. Aktivizēta akumulatora bloka īssavienojuma aizsardzība.	<ol style="list-style-type: none"> <li>1. Likvidējiet slodzi uz USB-C, USB-A un DC izeju.</li> <li>2. Atkārtoti pievienojot ierīces, ņemiet vērā maksimālo izvades jaudu (skat. nodaļu Tehniskie dati lpp. 256).</li> <li>3. Ja uzlāde neatsākas uzreiz pēc ierīču pievienošanas, uzlādējiet akumulatora bloku, lai to atkārtoti aktivizētu (skatiet nodaļu Akumulatora bloka uzlāde lpp. 252).</li> </ol>

## 11 Atkritumu pārstrāde



Iepakojuma materiālu pārstrāde Ja iespējams, iepakojuma materiālus izmetiet atbilstošos atkritumu šķirošanas konteineros.



Produktu pārstrāde, kuri satur iebūvētus akumulatorus, atkārtoti uzlādējamus akumulatorus vai gaismas avotus.

- Ja produktam ir iebūvēts akumulators, atkārtoti uzlādējams akumulators vai gaismas avots, to pirms utilizācijas nav nepieciešams demontēt.
- Ja vēlaties utilizēt nolietoto produktu, sazinieties ar vietējo atkritumu šķirošanas centru vai specializēto izplatītāju, lai noskaidrotu, kā to pareizi izdarīt saskaņā ar spēkā esošajiem atkritumu apsaimniekošanas noteikumiem.
- Produktu iespējams utilizēt bez maksas.

## 12 Garantija


Ir spēkā likumā noteiktais garantijas periods. Produkta bojājumu gadījumā sazinieties ar ražotāja filiāli savā valstī (skatiet [dometic.com/dealer](http://dometic.com/dealer)) vai tirgotāju.

Nosūtot ierīci remontam garantijas ietvaros, pievienojiet šādus dokumentus:

- čeka kopiju, kurā norādīts iegādes datums;
- pretenzijas iesniegšanas iemeslu vai bojājuma aprakstu.

Ņemiet vērā, ka pašrocīgi vai neprofesionāli veikts remonts var radīt drošības riskus, un garantija var tikt anulēta.

## 13 Tehniskie dati

<b>Akumulatora bloks</b>	
Baterijas veids	Litija dzelzs fosfāts / LiFePO4
Akumulatora nominālā kapacitāte	15 Ah
Akumulatora nominālais spriegums	12,8 V <sup>nom</sup>
<b>USB-A izeja</b>	
Izejas spriegums / nominālā strāva	5 V <sup>nom</sup> /2,4 A, 9 V <sup>nom</sup> /2 A, 12 V <sup>nom</sup> /1,5 A
<b>USB-C izeja/ieeja</b>	
Uzlādes sprieguma diapazons	5 ... 20 V <sup>nom</sup>
Ieejas strāva	3 A
<b>DC izeja</b>	
Izejas spriegums	12 V <sup>nom</sup>
Maksimālais strāvas stiprums	15 A
<b>DC ieejas ligzda</b>	
Uzlādes sprieguma diapazons	12 ... 32 V <sup>nom</sup>
Maksimālā ieejas strāva	5,5 A
<b>LED lukturītis</b>	
Vēsi balts	
<ul style="list-style-type: none"> <li>• LED apgaismojuma jauda</li> <li>• Lūmeni</li> </ul>	4,5 W ± 0,5 W 160 lm ± 10 lm
Neitrāli balts	
<ul style="list-style-type: none"> <li>• LED apgaismojuma jauda</li> <li>• Lūmeni</li> </ul>	2,5 W ± 0,5 W 50 lm ± 10 lm
<b>Vispārīgi tehniskie dati</b>	
Darbībai nepieciešamais apkārtējās temperatūras diapazons	-10 °C ... 45 °C
Uzlādes temperatūra	0 °C ... 45 °C
Glabāšanas temperatūras diapazons	-20 °C ... 60 °C
Maksimālais pašizlādes ātrums pie 25 °C	5 % mēnesī
Apkārtējais relatīvais mitrums	≤ 95 %, bez kondensāta
Aizsardzības tips	IP 44
Darbmūžs	2000 uzlādes cikli
Izmēri (plat. x augst. x dziļ.)	85 × 222 × 85 mm
Svars	1,8 kg
Testi/sertifikāti	



## عربي

257	ملاحظات هامة	1
257	شرح الرموز	2
258	إرشادات السلامة	3
259	محتويات التسليم	4
259	الاستخدام المقصود	5
260	الوصف الفني	6
261	الاستخدام	7
264	التنظيف والعناية	8
264	التخزين	9
264	استكشاف الأخطاء وإصلاحها	10
265	التخلص من الجهاز	11
265	الضمان	12
265	البيانات الفنية	13

## 1 ملاحظات هامة

يُرجى قراءة هذه التعليمات، والإرشادات، والتحذيرات الواردة في دليل المنتج المشار إليه واتباعها بعناية للتأكد من تركيب المنتج، واستخدامه، وصيافته بشكل صحيح في جميع الأوقات. يجب أن تظل هذه التعليمات مع هذا المنتج.

باستخدام هذا المنتج، فإنك تؤكد بمقتضى ذلك أنك قد قرأت إخلاء المسؤولية المشار إليها، وكافة التعليمات، والإرشادات، والتحذيرات بعناية وأنك تفهم الشروط والأحكام وتوافق على الالتزام بها على النحو المنصوص عليه هنا. كما توافق على استخدام هذا المنتج فقط للغرض والاستعمال المقصود وفقاً للتعليمات، والإرشادات، والتحذيرات على النحو المنصوص عليه في دليل المنتج المشار إليه وكذلك وفقاً لجميع القوانين واللوائح المعمول بها. قد يؤدي عدم قراءة التعليمات والتحذيرات المنصوص عليها في هذه الوثيقة واتباعها إلى حدوث إصابة لك وللآخرين أو تلف منتجك أو تلف الممتلكات الأخرى الموجودة بالقرب منه. قد يخضع دليل المنتج المشار إليه، بما فيه من تعليمات وإرشادات وتحذيرات، والوثائق ذات الصلة للتغيير والتحديث. للحصول على أحدث معلومات عن المنتج، نُرَجَى زيارة [documents.dometic.com](http://documents.dometic.com).

## 2 شرح الرموز

## تنبيه!



تشير إلى وجود وضع خطير إذا لم يتم تجنبه، يمكن أن يؤدي إلى الوفاة أو حدوث إصابة خطيرة.

## احتراس!



تشير إلى وجود وضع خطير إذا لم يتم تجنبه، يمكن أن يؤدي إلى حدوث إصابات بسيطة أو متوسطة.

## تحذير!



تشير إلى وجود وضع إذا لم يتم تجنبه، يمكن أن يؤدي إلى حدوث تلف الممتلكات.

## ملاحظة! معلومات تكميلية لتشغيل المنتج.



## السلامة العامة

## تنبيه! خطر التعرض إلى الصعق الكهربائي



- لا تقم بتشغيل الجهاز في حالة وجود آثار تلف واضحة به.
- لا يُسمح بإصلاح الجهاز إلا من قِبل فنيين متخصصين. يمكن أن تؤدي الإصلاحات غير السليمة إلى حدوث مخاطر بالغة.
- لا تفكك الجهاز.
- لا تقم بتعديل أو تكييف أي من المكونات بأي شكل من الأشكال.
- استخدم الملحقات وقطع الغيار الموصى بها من الشركة المصنعة فقط.
- لا تستخدم الجهاز في ظروف رطبة أو عمره في أي سائل. التخزين في مكان جاف.
- أوقف تشغيل الجهاز وافصله عن مصدر الطاقة قبل كل عملية تنظيف أو صيانة وبعد كل استخدام.

## تنبيه! خطر حدوث إصابات



قد تحتوي البطاريات على أمحاض كاوية وعائية. تجنب ملامسة سوائل البطارية لجسمك. إذا لامس جلدك سائل البطارية، اغسل المنطقة من جسمك جيداً بالماء. وفي حالة حدوث أي إصابات نتيجة لملامسة الأحماض، اتصل بالطبيب فوراً.

## تنبيه! المخاطر الصحية



- لا تفتح البطاريات أو تتلفها أو تسمح بدخولها إلى البيئة، لأنها تحتوي على معادن ثقيلة سامة وضارة بالبيئة.
- إن الأطفال الذين تبدأ أعمارهم من سن 8 سنوات والأشخاص الذين يعانون من إعاقة جسدية أو حسية أو عقلية أو لديهم نقص بالخبرات، يمكنهم استخدام هذا الجهاز بشرط الإشراف عليهم وإعطائهم التعليمات المتعلقة باستخدام الجهاز بطريقة آمنة وإفهامهم المخاطر التي تنطوي عليها.
- **الأجهزة الكهربائية ليست آمنة للأطفال.** احتفظ بالجهاز واستخدمه دائماً بعيداً عن متناول الأطفال الصغار.
- يجب الإشراف على الأطفال للتأكد من عدم لعبهم بالجهاز.
- لا يُسمح للأطفال القيام بأعمال التنظيف والصيانة دون إشراف.

## تحذير! خطر التلف



- قبل بدء التشغيل، تحقق من أن مواصفات الجهد الكهربائي الموجودة على لوحة البيانات تتطابق مع مواصفات مصدر الطاقة.
- تأكد من أن الأجسام الأخرى لا يمكن أن تسبب تماساً كهربائياً في وصلات الجهاز.
- تأكد من عدم تلامس القطبين السالب والموجب على الإطلاق.
- لا تستخدم الكابلات كمقبض.

## السلامة عند تشغيل الجهاز

## احتراس! خطر الانفجار



- لا تُشغَل الجهاز في الظروف التالية:
  - في بيئات بها نسبة عالية من الملح أو البلب أو الرطوبة
  - بالقرب من أبخرة مسببة للتآكل
  - بالقرب من مواد قابلة للاشتعال
  - في المناطق التي يوجد فيها خطر انفجار الغاز أو الغبار
- تجنب مطلقاً محاولة شحن بطارية متجمدة أو تالفة. ضع مجموعة البطارية في منطقة خالية من الصقيع وانتظر حتى تتكيف البطارية مع درجة الحرارة المحيطة.
- لا تضع الجهاز بالقرب من مصادر الحرارة (السخانات، أشعة الشمس المباشرة، أفران الغاز، إلخ).
- لا تدخن أو تستخدم لهباً مكشوفاً أو تتسبب في توليد شرر بالقرب من مجموعة البطارية.

- لا تترك الجهاز بدون مراقبة عند استخدامه.

#### احتراس! خطر التعرض إلى الصعق الكهربائي



- قبل بدء تشغيل الجهاز، تأكد من جفاف كابل الطاقة والقباس، ومن خلو القابس من أي صداد أو اتساخ.
- عند القيام بأعمال على الأنظمة الكهربائية، تأكد من وجود شخص قريب منك تمكنه المساعدة في حالات الطوارئ.
- يجب تمديد الكابلات بطريقة لا تعرضها للتلف بفعل أي حواف حادة أو أبواب أو أغطية. لا تمد أي كابل بشكل يكون معه ملتويًا بشدة. يمكن أن تؤدي الكابلات التالفة إلى حدوث إصابات خطيرة.
- لا تفصل أي كابلات عندما يكون الجهاز قيد الاستخدام.

#### احتراس! خطر حريق



- لا تعرض الجهاز للسقوط أو للصدمات أو لقوة مفرطة، وذلك لتجنب تلف الأجزاء الخارجية والداخلية.
- لا تضع الجهاز بالقرب من مواد قابلة للاشتعال.

#### احتراس! خطر حدوث إصابات



- عند وضع الجهاز، تأكد من أن كل الكابلات مؤمنة بشكل مناسب، من أجل تجنب أي خطر للتعرض.

#### تحذير! خطر التلف



- تأكد من عدم تغطية مداخل ومخارج الهواء بالجهاز.
- تأكد من وجود تهوية جيدة.
- قم بتركيب الجهاز في مكان جاف، حيثما يكون محميًا من رذاذ المياه.
- تجنب مطلقًا فصل القابس من المقبس عن طريق شده من كابل الطاقة.
- قم بلف الكابل بطريقة فضفاضة عند التخزين، فقد يؤدي لفة بطرقة مشدودة إلى تلف الكابل والأجزاء الداخلية.
- تجنب التفريغ العميق لشحن الجهاز.

## 4 محتويات التسليم

الوصف	الكمية
مجموعة البطارية المحمولة	1
كابل الشحن (USB-C إلى USB-C)	1
كابل الشحن في السيارة (منفذ ولاعة السجائر إلى DC5525)	1
دليل التشغيل المختصر	1
دليل التشغيل (رقمي فقط)	1

## 5 الاستخدام المقصود

تستخدم مجموعة البطارية المحمولة لشحن الأجهزة المحمولة الرقمية (مثل الهواتف المحمولة وأجهزة التابلت وأجهزة الكمبيوتر المحمولة والكاميرات، وما إلى ذلك)، أو تشغيل الأجهزة 12 فولت (مثل مضخات الهواء، وصناديق التبريد، وغيرها من المعدات المستخدمة في الأماكن المفتوحة)، ويمكن استخدامها أيضًا كمصباح كشاف.

مجموعة البطارية المحمولة مناسبة للاستخدام خارج المنزل، مثلًا، في أثناء التجوال.

مجموعة البطارية المحمولة غير مناسبة لـ

- التوصيل على التوازي مع مجموعات بطاريات محمولة أخرى

- الاستخدام التجاري

هذا المنتج مناسب للغرض المقصود منه والاستخدامات التي تتوافق مع هذه التعليمات فقط.

يوفر دليل التشغيل هذا المعلومات الضرورية للتركيب و/أو التشغيل الصحيح للمنتج. سيؤدي سوء التركيب و/أو التشغيل الخاطئ والصيانة غير الصحيحة إلى أداء غير مرضي وعطل محتمل.

لا تتحمل الشركة المصنعة أي مسؤولية عن أي ضرر أو تلف بالمنتج ناتج من:

- عملية تركيب أو تجميع أو توصيل غير صحيحة بما في ذلك الجهد الزائد
- صيانة غير صحيحة أو استخدام قطع غيار غير أصلية وغير مقدمة من الشركة المصنعة
- إجراء تعديلات على المنتج دون حصول على إذن صريح من الشركة المصنعة
- الاستخدام في أغراض أخرى خلاف الأغراض الموضحة في هذا الدليل

تحتفظ شركة Dometic بالحق في تغيير شكل المنتج ومواصفاته.

## 6 الوصف الفني

### الوصف العام

مجموعة البطارية مجهزة ببطارية ليثيوم فوسفات الحديد ومصباح كشاف LED مدمج.

يمكن شحن الأجهزة المحمولة الرقمية في أحد مخرجي (2) USB و(4)، شكل 1 بالصفحة 261). بالإضافة إلى ذلك، يمكن استخدام الجهاز لتشغيل الأجهزة 12 فولت عبر مخرج التيار المستمر (وصلة لمهايئ شحن السيارة، 5، شكل 1 بالصفحة 261).

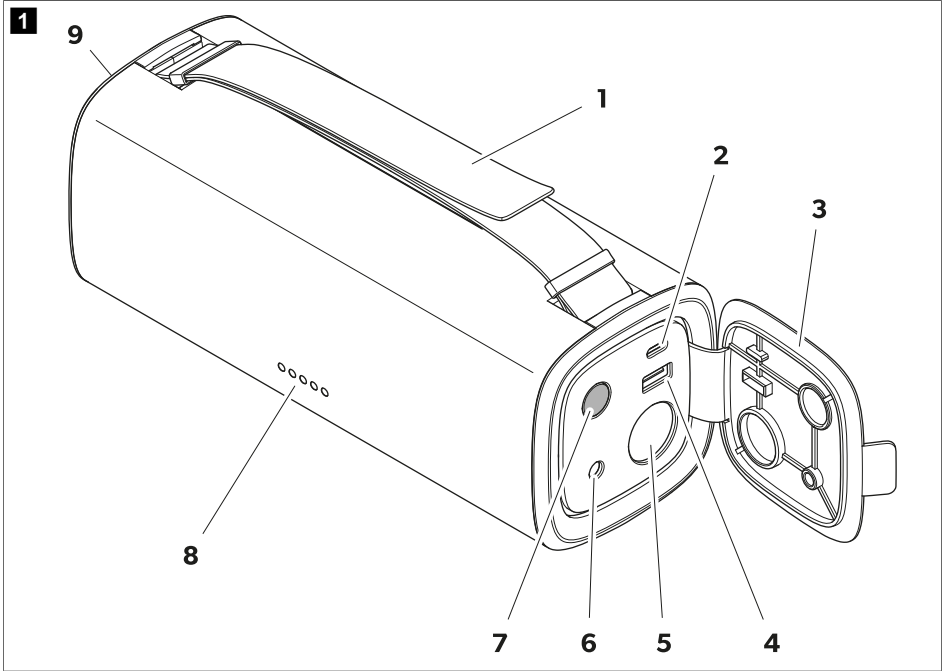
يمكن شحن مجموعة البطارية المحمولة عبر مدخل (2) USB-C، شكل 1 بالصفحة 261) أو مدخل التيار المستمر (6)، شكل 1 بالصفحة 261).

يتم بيان عملية الشحن وحالة الشحن الحالية بواسطة مؤشر حالة البطارية (8)، شكل 1 بالصفحة 261). ينشط مؤشر حالة البطارية في الحالات التالية:

- في أثناء شحن مجموعة البطارية.
- توصيل حمل بمجموعة البطارية.
- تشغيل المصباح الكشاف.

تحتوي مجموعة البطارية المحمولة على الآليات الحماية التالية:

- حماية من درجات الحرارة العالية والمنخفضة
- حماية من التيار الزائد
- حماية من الجهد الزائد والجهد المنخفض عند المداخل
- حماية من الجهد الزائد عند المخارج
- حماية من التماس الكهربائي
- حماية من الشحن الزائد وحماية من التفريغ العميق



الشرح	رقم	الشرح	رقم
مدخل (12 فولت DC5525 فولت ... 32 فولت)	6	مقبض حمل قابل للضبط	1
زر التشغيل/إيقاف التشغيل	7	مدخل/مخرج (5 USB-C فولت/3 أمبير، 9 فولت/3 أمبير، 12 فولت/3 أمبير، 15 فولت/3 أمبير، 20 فولت/3 أمبير)	2
مؤشر حالة البطارية LED	8	غطاء الأجهزة	3
مصباح كشاف LED	9	مخرج (5 USB-A فولت/2.4 أمبير، 9 فولت/2 أمبير، 12 فولت/1.5 أمبير)	4
		مخرج التيار المستمر (12 فولت/15 أمبير)	5

## 7 الاستخدام

**تحذير! خطر التلف**  
اشحن مجموعة البطارية بعد كل استخدام.



**ملاحظة!** يمكن شحن الأجهزة المحمولة الرقمية وتشغيل الأجهزة 12 فولت وشحن مجموعة البطارية في الوقت نفسه.



## قبل أول استخدام

< اشحن مجموعة البطارية قبل أول استخدام حتى تُشحن بالكامل (انظر الفصل شحن مجموعة البطارية بالصفحة 262).

## شحن مجموعة البطارية

### تحذير! خطر التلف




- ينبغي توفير التهوية الكافية والتأكد من تبديد الحرارة المتولدة في أثناء عملية الشحن من مجموعة البطارية.
- تأكد من أن جهد الدائرة المفتوحة لبطارية السيارة أو الوحدة الشمسية لا يتجاوز 32 فولت.

يعتمد وقت الشحن المطلوب لمجموعة البطارية على مصدر الشحن المحدد ومدخل الشحن. يمكن شحن مجموعة البطارية المحمولة حتى 60 وات عبر مدخل USB-C أو حتى 100 وات عبر مدخل التيار المستمر. عند الشحن عبر مدخل USB-C ومدخل التيار المستمر في وقت واحد، تمكن زيادة طاقة الشحن إلى 120 وات.

يدعم مدخل التيار المستمر كلاً من الشحن عبر بطاريات السيارات والشحن عبر الطاقة الشمسية.

1. ضع مجموعة البطارية على قاعدة ثابتة ومقاومة للحرارة.
2. افتح غطاء الأجهزة للوصول إلى التوصيلات وعناصر التحكم.
3. وصل مصدر طاقة مناسب (على سبيل المثال، بطارية سيارة، لوح طاقة شمسية) بمدخل التيار المستمر أو مدخل USB-C بمجموعة البطارية. يظهر مؤشر حالة البطارية حالة الشحن (انظر الفصل التحقق من حالة الشحن بالصفحة 262). يومض مؤشر LED الخاص بمستوى الشحن الأعلى التالي حتى يتم الوصول إلى مستوى الشحن الكامل.
4. تتوقف عملية الشحن تلقائياً عند شحن مجموعة البطارية بالكامل. تضيء كل أضواء LED الخاصة بمؤشر حالة البطارية. بعد الشحن، افصل كل كبلات الشحن وأغلق غطاء الأجهزة.

## التحقق من حالة الشحن

< اضغط على الزر  لتنشيط أو إلغاء تنشيط مؤشر حالة البطارية (8، شكل 1 بالصفحة 261).

### ملاحظة!



- يتوقف مؤشر حالة البطارية تلقائياً إذا لم يتم توصيل أي حمل أو مصدر شحن.
- بمجرد أن تنخفض حالة الشحن إلى أقل من 5 ٪، يبدأ المؤشر LED 1 في الوميض لبيان حالة انخفاض شحن البطارية.

✓ يظهر مؤشر حالة البطارية حالة الشحن بين 0 ٪ (التفريغ) و100 ٪ (الشحن الكامل).

سعة البطارية	مؤشر حالة البطارية				
	LED 5	LED 4	LED 3	LED 2	LED 1
0 ٪	○	○	○	○	○
5 ... 20 ٪	○	○	○	○	●
21 ... 40 ٪	○	○	○	●	●
41 ... 60 ٪	○	○	●	●	●
61 ... 80 ٪	○	●	●	●	●
81 ... 100 ٪	●	●	●	●	●

## استخدام المصباح الكشاف LED

**احتراس! خطر حدوث إصابات**  
تجنب النظر مباشرة إلى المصباح الكشاف LED، لأن هذا قد يضر عينيك.



**ملاحظة!** يمكن ضبط لون إضاءة المصباح الكشاف بدرجتين: أبيض محايد (عند 4300 كلفن) وأبيض بارد (عند 6400 كلفن).



1. افتح غطاء الأجهزة للوصول إلى التوصيلات وعناصر التحكم.
2. اضغط ضغطة طويلة على الزر (⊙) لمدة 3 ثوانٍ لتشغيل المصباح الكشاف أو إيقاف تشغيله.  
✓ مؤشر حالة البطارية مضاء.
3. اضغط على الزر (⊙) للتبديل بين درجتي اللون.

**ملاحظة!** إذا تم توصيل الأحمال أو مصادر الشحن، فلن تعمل درجة اللون الأبيض البارد ويتم ضبط المصباح الكشاف على اللون الأبيض المحايد تلقائيًا.



4. أمسك المصباح الكشاف من مقبض الحمل. يمكن ضبط مقبض الحمل على الطول المطلوب.
5. بعد الاستخدام، أغلق غطاء الأجهزة.

## شحن الأجهزة الرقمية عبر مخرج USB

يعمل مخرج USB-C بقوة شحن 60 وات، ويعمل مخرج USB-A بقوة شحن 18 وات.

### ملاحظة!

- شحن الأجهزة المحمولة الرقمية غير ممكن إذا كانت مجموعة البطارية بحالة شحن منخفضة (حالة الشحن > 5%).
- يمكن شحن جهازين محمولين رقميين في الوقت نفسه باستخدام كلا مخرجي USB.



1. افتح غطاء الأجهزة للوصول إلى التوصيلات وعناصر التحكم.
2. اختر كابل شحن مع مناهي مناسب حسب مخرج USB المراد استخدامه، ووصل مجموعة البطارية بالجهاز الرقمي.  
✓ يتم شحن الجهاز الرقمي تلقائيًا عبر مجموعة البطارية. يُظهر مؤشر حالة البطارية حالة الشحن المتبقية لمجموعة البطارية.
3. بعد الشحن، افصل كل كابلات الشحن وأغلق غطاء الأجهزة.

## تشغيل الأجهزة 12 فولت

### تحذير! خطر التلف

ينبغي توفير التهوية الكافية والتأكد من تبديد الحرارة المتولدة من مجموعة البطارية.



**ملاحظة!** لا يمكن تشغيل الأجهزة 12 فولت وحالة شحن مجموعة البطارية منخفضة (حالة الشحن > 5%).



1. يوفر مخرج التيار المستمر مصدر طاقة متقللاً مع طاقة مستمرة تصل إلى 150 وات.
1. ضع مجموعة البطارية على قاعدة ثابتة ومقاومة للحرارة.
2. افتح غطاء الأجهزة للوصول إلى التوصيلات وعناصر التحكم.
3. وصّل كابل الطاقة الخاص بجهاز 12 فولت بمخرج التيار المستمر في مجموعة البطارية.  
✓ يتم تزويد الجهاز 12 فولت تلقائيًا بالطاقة للتشغيل عبر مجموعة البطارية. يُظهر مؤشر حالة البطارية حالة الشحن المتبقية لمجموعة البطارية.

4. بعد الاستخدام، افصل كابل الطاقة الخاص بالجهاز 12 فولت وأغلق غطاء الأجهزة في مجموعة البطارية.

## 8 التنظيف والعناية

**تنبيه! خطر التعرض إلى الصعق الكهربائي**  
افصل الجهاز عن مصدر الطاقة قبل كل عملية تنظيف وصيانة.



### تحذير! خطر التلف



- تجنب مطلقاً تنظيف الجهاز تحت الماء الجاري أو في مياه التنظيف.
- لا تستخدم أي أجسام حادة أو صلبة أو مواد تنظيف كاشطة أو مبيضة في أثناء التنظيف؛ لأنها قد تلحق أضراراً بالجهاز.

- < نَظِّفْ الجهاز من حين لآخر بقطعة قماش ناعمة ورطبة.
- < افحص الكابلات أو الخطوط الحاملة للتيار بانتظام للتحقق من عدم وجود خلل في العزل، أو انقطاعات، أو توصيلات مفككة.

## 9 التخزين

### تحذير! خطر التلف



- لا تخزن مجموعة البطارية إلا وهي مشحونة بالكامل. اشحن مجموعة البطارية بعد كل استخدام وعلى الأقل كل 3 - 6 أشهر حتى في حال عدم الاستخدام.
- عليك مراعاة درجة حرارة التخزين المثلى المحددة، لأن التخزين طويل الأجل في درجات حرارة عالية ومنخفضة، يمكن أن يُضعف العمر الافتراضي لمجموعة البطارية وأدائها.

- < قم بتخزين مجموعة البطارية في مكان جيد التهوية وجاف تكون فيه محمية من الغبار والأوساخ.
- < تحقق بانتظام من حالة شحن مجموعة البطارية (انظر الفصل التحقق من حالة الشحن بالصفحة 262).

## 10 استكشاف الأخطاء وإصلاحها

المشكلة	السبب المحتمل	الحل
مجموعة البطارية لا تعمل. الزر (⊕) لا يستجيب.	يحدث تفريغ عميق لشحن مجموعة البطارية.	اشحن مجموعة البطارية (انظر الفصل شحن مجموعة البطارية بالصفحة 262).
	خلل في العزل، أو وجود انقطاعات في الدائرة، أو وجود توصيلات مفككة في الكابلات الحاملة للتيار.	<ul style="list-style-type: none"> <li>&lt; افحص الكابلات الحاملة للتيار للتحقق من عدم وجود خلل في العزل، أو انقطاعات، أو توصيلات مفككة.</li> <li>&lt; إذا لم تتمكن من العثور على خطأ، فاتصل بوكيل الخدمة المعتمد.</li> </ul>
	تشغيل الحماية من التيار الزائد في مجموعة البطارية.	1. افصل الأحمال عن مخرج USB-C، وUSB-A، والتيار المستمر.
	تشغيل الحماية من التماس الكهربائي في مجموعة البطارية.	2. لاحظ الحمل الأقصى للمخارج (انظر الفصل البيانات الفنية بالصفحة 265) عند إعادة توصيل الأجهزة.
		3. إذا لم تتم إعادة تشغيل الشحن مباشرة بعد توصيل الأجهزة، فاشحن مجموعة البطارية لإعادة تنشيطها (انظر الفصل



المشكلة	السبب المحتمل	الحل
		شحن مجموعة البطارية بالصفحة (262).

## 11 التخلص من الجهاز

إعادة تدوير مواد التغليف: ضع مواد التغليف في الصناديق المناسبة الخاصة بالنفايات القابلة لإعادة التدوير قدر الإمكان.



إعادة تدوير المنتجات المزودة ببطاريات غير قابلة للاستبدال أو ببطاريات قابلة لإعادة الشحن أو بمصادر الإضاءة:

- إذا كان المنتج يحتوي على أي بطاريات غير قابلة للاستبدال أو بطاريات قابلة لإعادة الشحن أو على مصادر الإضاءة، فلا داعي لإزالتها قبل التخلص منها.
- إذا كنت ترغب في التخلص من المنتج نهائياً، فاطلب من مركز إعادة التدوير المحلي أو التاجر المتخصص الحصول على تفاصيل حول كيفية القيام بذلك وفقاً للوائح التخلص المعمول بها.
- يمكن التخلص من المنتج مجاناً.



## 12 الضمان

يتم تطبيق فترة الضمان القانونية. إذا كان المنتج تالفًا، يُرجى الاتصال بفرع الشركة المصنعة في بلدك (راجع [dometic.com/dealer](http://dometic.com/dealer)) أو بائع التجزئة لديك.

لتنفيذ إجراءات الإصلاح والضمان، يُرجى إرفاق المستندات التالية مع الجهاز:

- نسخة من الفاتورة مع تاريخ الشراء
- سبب الشكوى أو وصف للعطل

عليك الحذر من أن الإصلاح الذاتي أو غير الاحترافي قد يؤدي إلى عواقب تتعلق بالسلامة وإلغاء الضمان.

## 13 البيانات الفنية

مجموعة البطارية	
ليثيوم فوسفات الحديد/LiFePO4	نوع البطارية
15 أمبير ساعة	سعة البطارية المقدرة
12.8 فولت	الجهد المقدر للبطارية
مخرج USB-A	
5 فولت/2.4 أمبير, 9 فولت/2 أمبير, 12 فولت/1.5 أمبير	جهد المخرج/التيار المقدر
مخرج/مدخل USB-C	
5 ... 20 فولت	نطاق جهد الشحن
3 أمبير	تيار المدخل
مخرج التيار المستمر	
12 فولت	جهد المخرج
15 أمبير	التيار المقدر

مدخل التيار المستمر	
12 ... 32 فولت==	نطاق جهد الشحن
5.5 أمبير	الحد الأقصى لتيار المدخل
مصباح كشاف LED	
4.5 وات ± 0.5 وات 160 لومن ± 10 لومن	أبيض بارد طاقة ضوء LED لومن
2.5 وات ± 0.5 وات 50 لومن ± 10 لومن	أبيض محايد طاقة ضوء LED لومن
البيانات الفنية العامة	
10 - درجة مئوية ... 45 درجة مئوية	درجة الحرارة المحيطة للتشغيل
0 درجة مئوية ... 45 درجة مئوية	درجة حرارة الشحن
20 - درجة مئوية ... 60 درجة مئوية	نطاق درجة حرارة التخزين
5 % شهرياً	الحد الأقصى لمعدل التفريغ الذاتي عند 25 درجة مئوية
≥ 95 %، بدون تكثيف	الرطوبة المحيطة
IP 44	نوع الحماية
2000 دورة شحن	العمر الافتراضي للخدمة
85 × 222 × 85 مم	الأبعاد (العرض × الارتفاع × العمق)
1.8 كجم	الوزن
	الاختبار/الشهادات





[dometic.com](https://dometic.com)

---

## **YOUR LOCAL DEALER**

[dometic.com/dealer](https://dometic.com/dealer)

## **YOUR LOCAL SUPPORT**

[dometic.com/contact](https://dometic.com/contact)

## **YOUR LOCAL SALES OFFICE**

[dometic.com/sales-offices](https://dometic.com/sales-offices)

---