

RHINO-RACK®

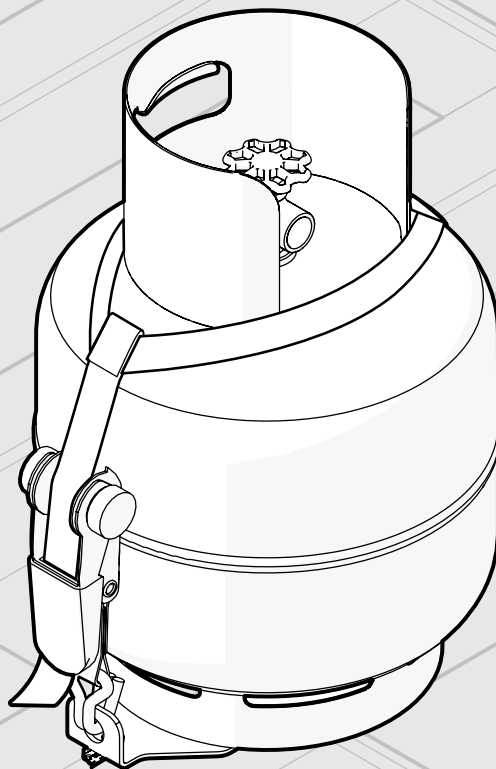
Gas Bottle Holder

61007

Important:

1. Check the Rhino-Rack website to ensure you have the latest issue of these instructions.
2. Please refer to your fitting instruction to ensure that the roof racks are installed in the correct locations.
3. Check the contents of kit before commencing fitment and report any discrepancies.
4. Place these instructions in the vehicle's glove box after installation is complete.
5. These instructions must be followed for warranty to be upheld.

Fit Time: 5 mins



RHINORACK.COM

Doc. No: 520-RFI-00150

Issue No: 01

Issue Date: 18/09/2023

Carrying Capacity

Check the vehicle owners hand book for your vehicle manufacturer's maximum carrying capacity.
Do not exceed the vehicle manufacturer's maximum roof carrying capacity.
The weight of the roof racks, accessories, and gas bottle must be included in the total vehicle roof load.

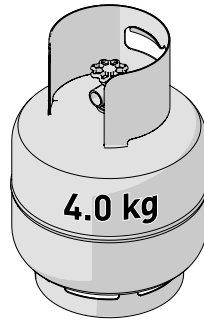
Strap Lashing Capacity: 150.0kg / 330.7lbs

MAX. LOAD RATING 4.0kg / 8.8lbs Gas Cylinder x1*

*Holder is compatible with cylinders of 4kg capacity **ONLY**
Do **NOT** attempt to install cylinders smaller or larger than 4kg capacity

Important

- Do not transport gas in an unapproved cylinder.
- Gas bottles must be stored in an upright position.
- Do not transport with regulators attached.
- Must not be used for lifting.
- Always inspect gas cylinder prior to use.
- Protect from friction and abrasion.
- Do not tie knots in webbing.
- Do not use strap if it is damaged.



*Gas cylinder
not included*

Warning

- Do not attempt to fit the accessory to your vehicle unless you fully understand these fitting instructions. Please direct any questions regarding fitting to the dealer from where the product was purchased.
- Off-road conditions can be much more rigorous. Extreme care must be taken in off road conditions.
- Accessory must be removed when vehicle is put through an automatic car wash.
- Always ensure you fasten your load securely.
- Ensure product is locked before driving.
- It is important that all roof racks and accessories are installed and attached correctly.
- Failure to follow the correct attachments could result in an accident, serious injury or death.
- The driver of the vehicle is responsible for securing the roof racks and accessories, checking the attachments, periodically checking bolt torque and visual inspection of all components for wear damage.
- **Use only non stretch fastening ropes or straps.**

In service maintenance checks

- All bolt connections should be checked after driving a short distance when you first install your roof racks.
- All bolted connections should be checked again at regular intervals (weekly is recommended, depending on road conditions, usage, loads and distances travelled).
- All bolted connections should be checked each time they are re-fitted.
- Off-road conditions are more rigorous. Check all bolted connections and your load more regularly.
- Ensure that your vehicle manufacturer's GVM, and gross axle weights are not exceeded (refer to vehicle owner's manual).

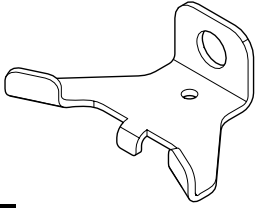
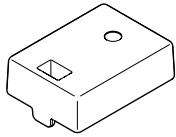
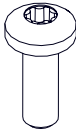

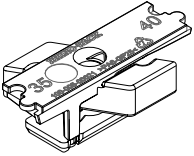
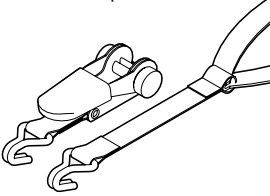
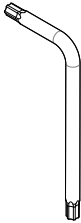

Sensitivity to Crosswinds, Behaviour in Curves and Braking.

Remember that the handling characteristics of your vehicle will change when transporting a load on the roof.
Exercise extreme care when transporting wind-resisting loads; special consideration must be taken into account when braking.

Note for Dealers and Fitters

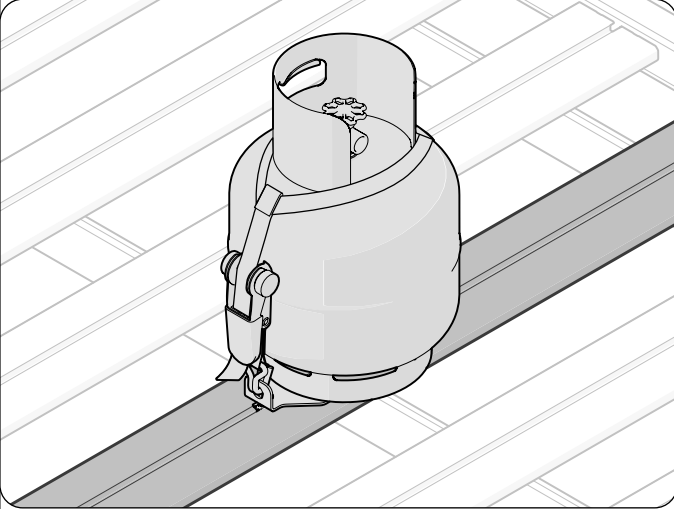
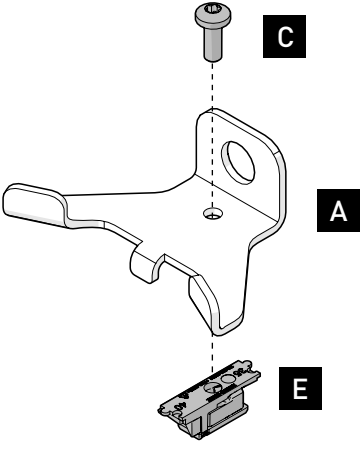
It is your responsibility to ensure these fitting instructions are given to the end user or client. These instructions remain the property of Rhino-Rack Australia Pty. Ltd. and may not be used or changed for any other purpose than intended.

Parts List

<p>Gas Bottle Holder Bracket</p>  <p>A x2</p>	<p>Underbar Spacer</p>  <p>B x2</p>	<p>M6 x 16 Torx Pan Head Screw</p>  <p>C x2</p>	<p>M6 x 30 Torx Pan Head Screw</p>  <p>D x2</p>
<p>Zwifloc</p>  <p>E x2</p>	<p>Gas Bottle Strap</p>  <p>F x1</p>	<p>Torx T30 L-Key</p>  <p>G x1</p>	<p>Instructions</p>  <p>H x1</p>

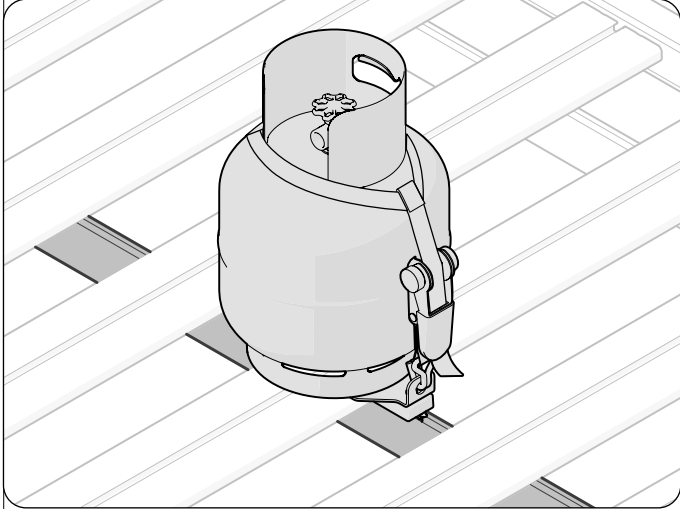
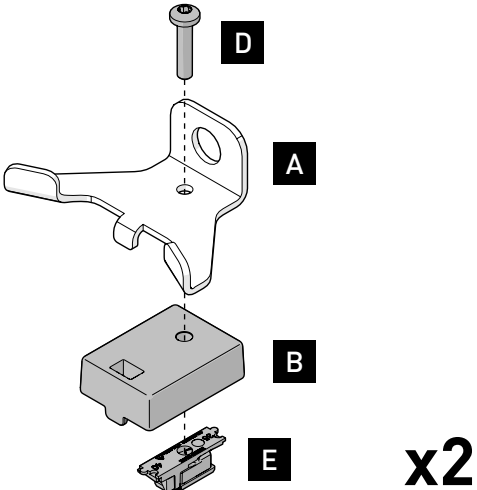
Mounting Options

PLANK MOUNTING

x2

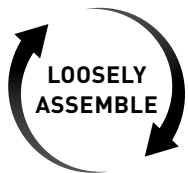
UNDERBAR MOUNTING
(Pioneer Series 6 only)

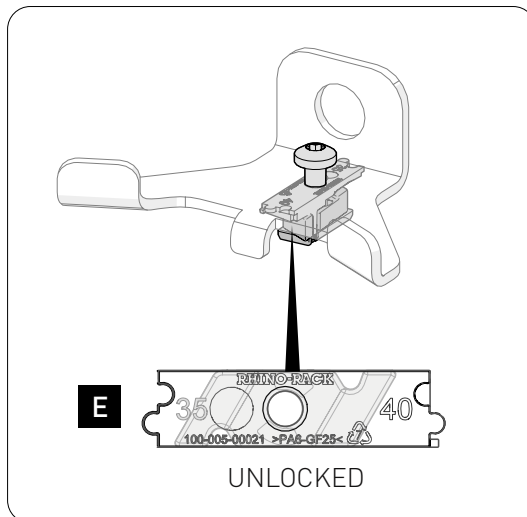
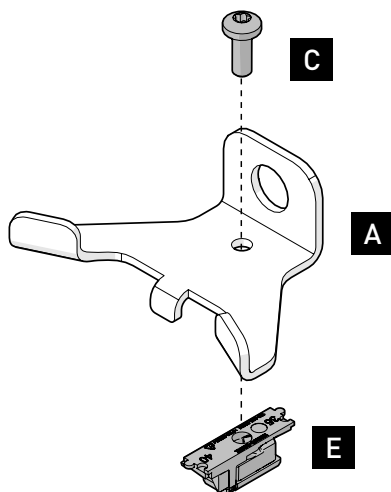
x2

1

Assemble as per your selected Mounting Option on Page 3

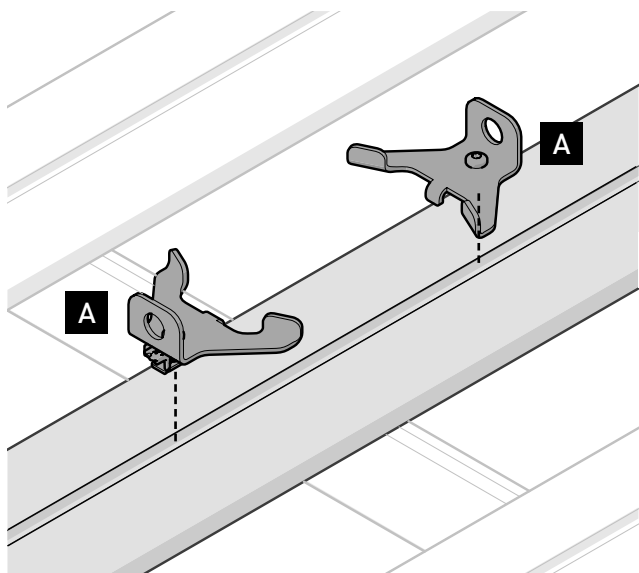


x2



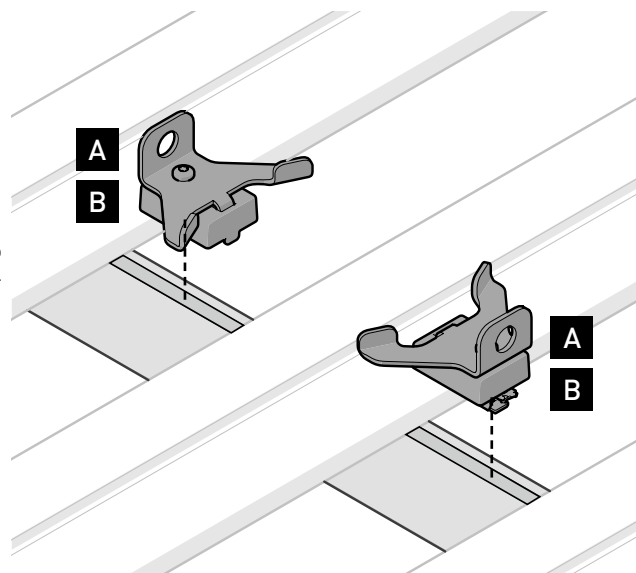
2

PLANK MOUNTING

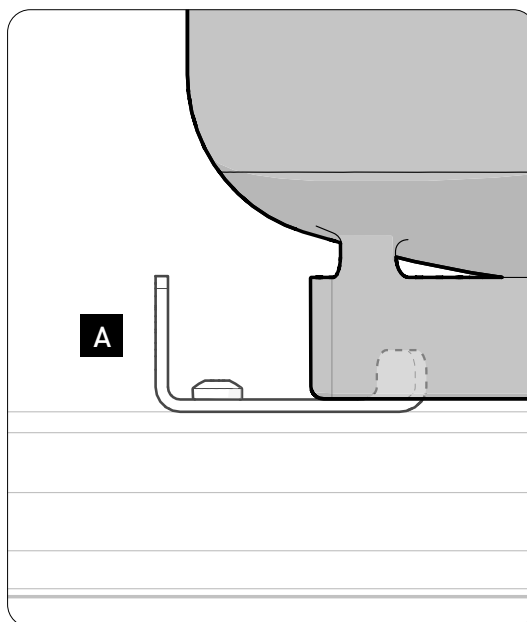
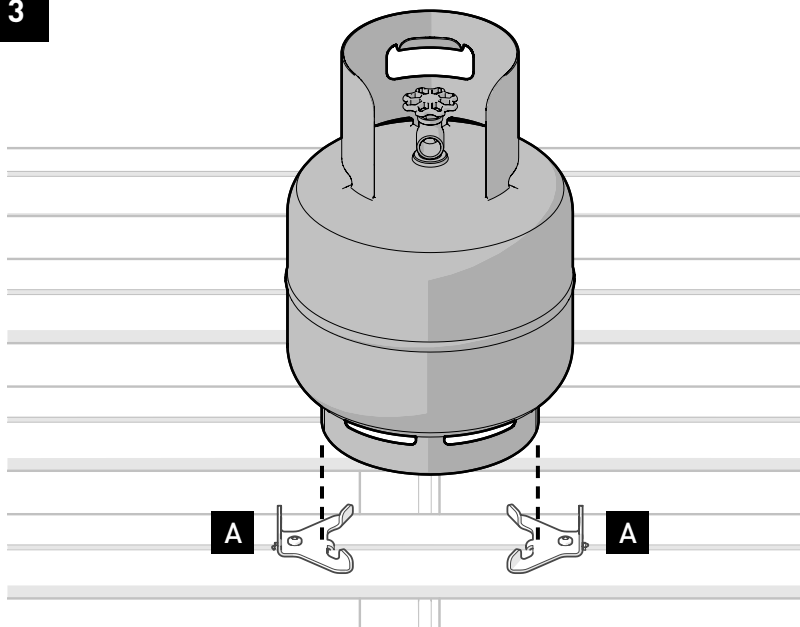


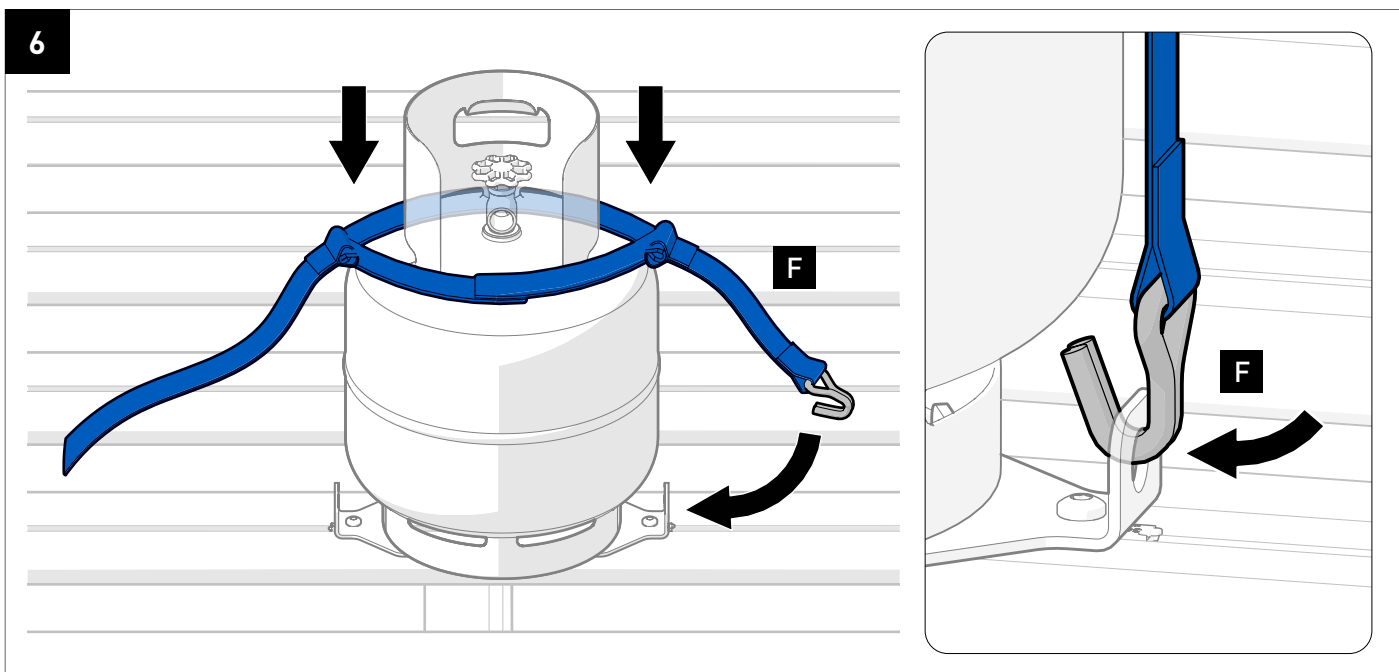
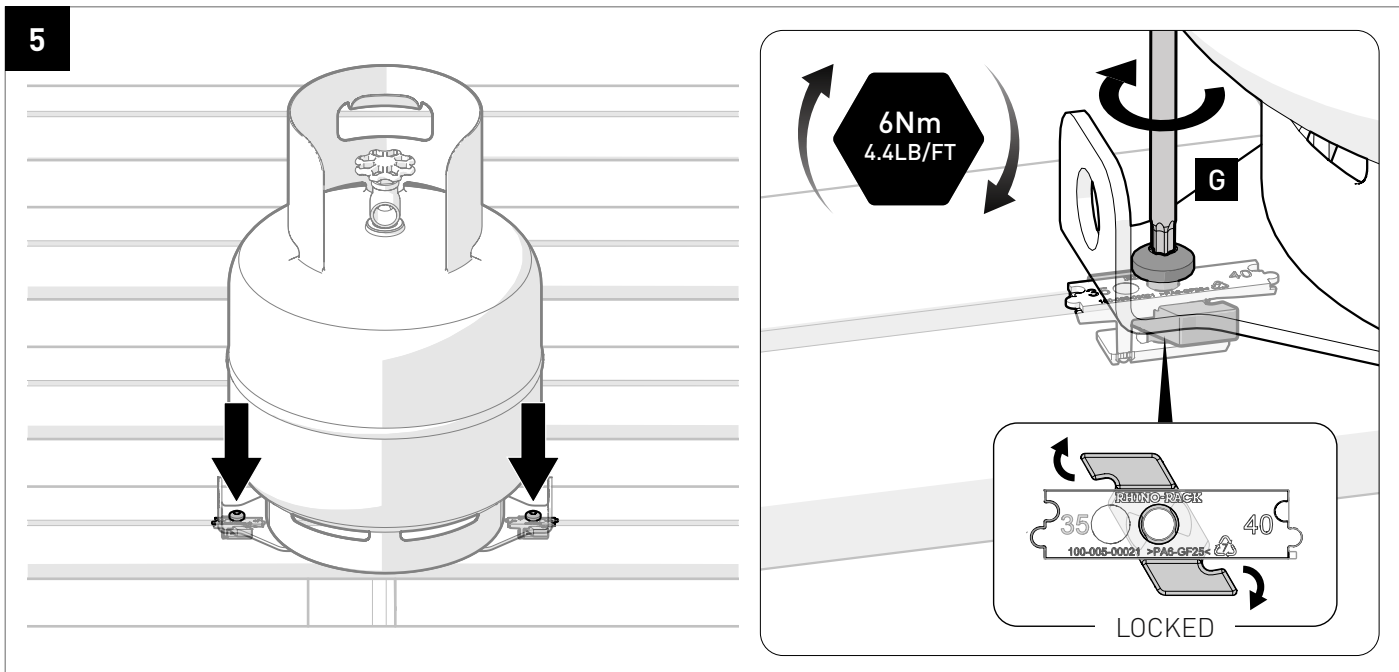
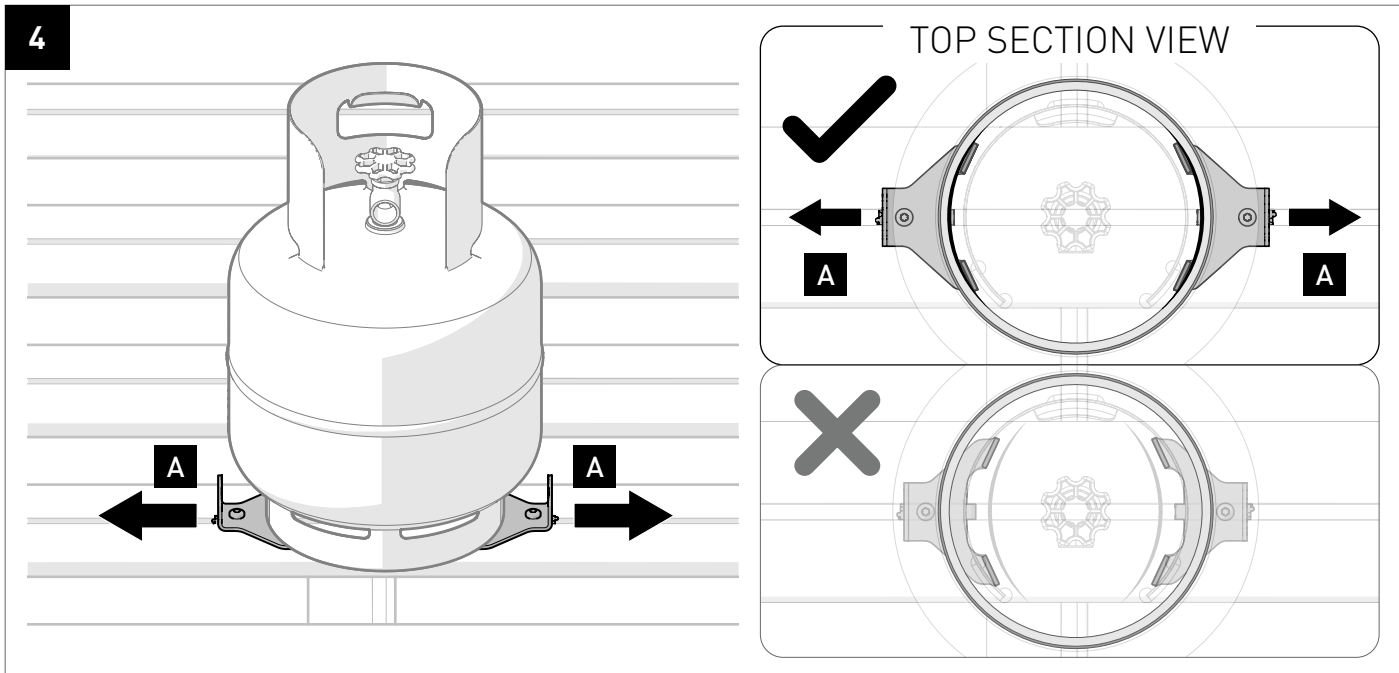
OR

UNDERBAR MOUNTING

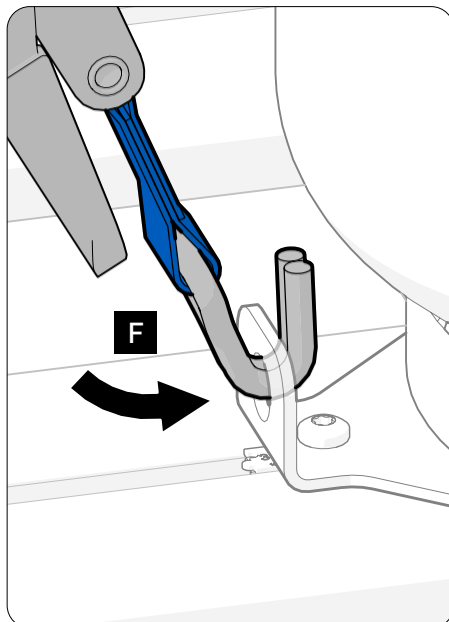
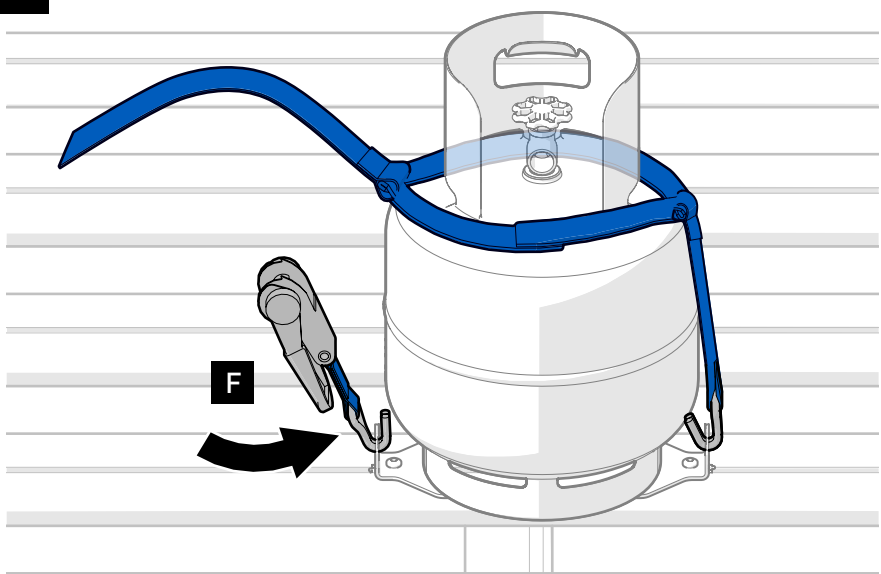


3

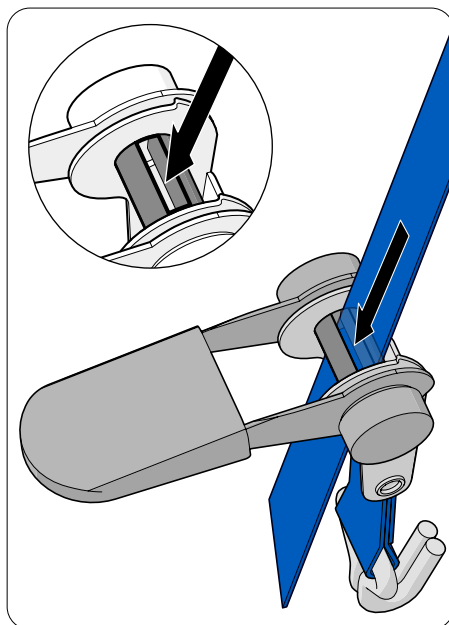
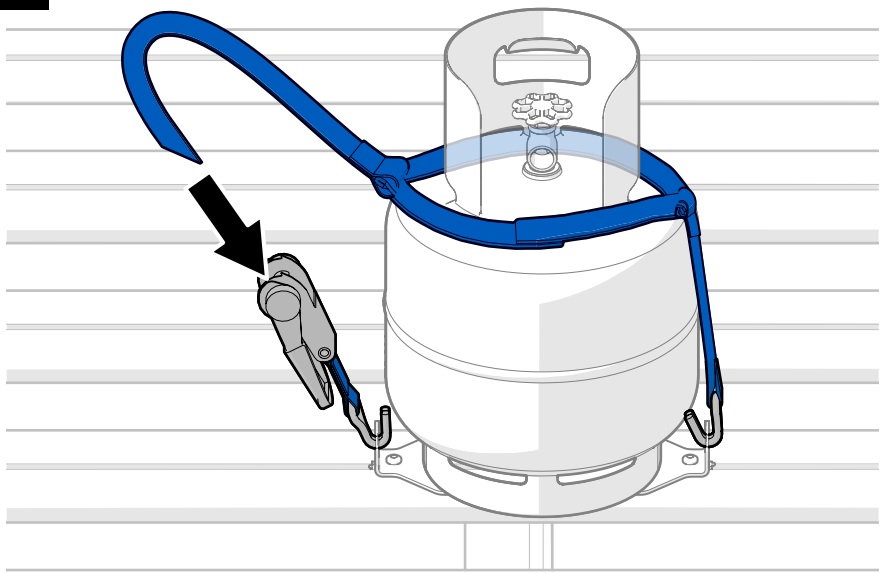




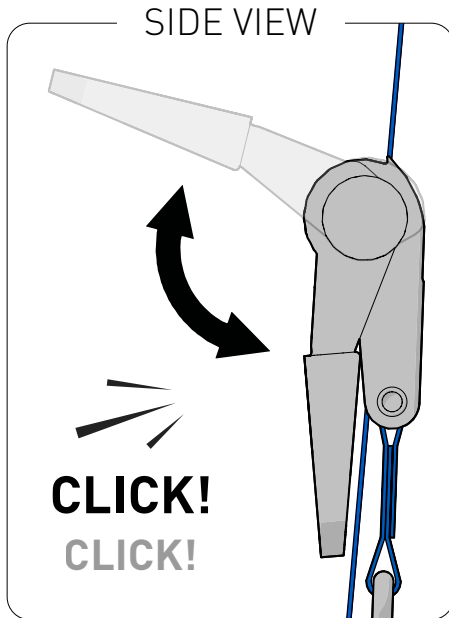
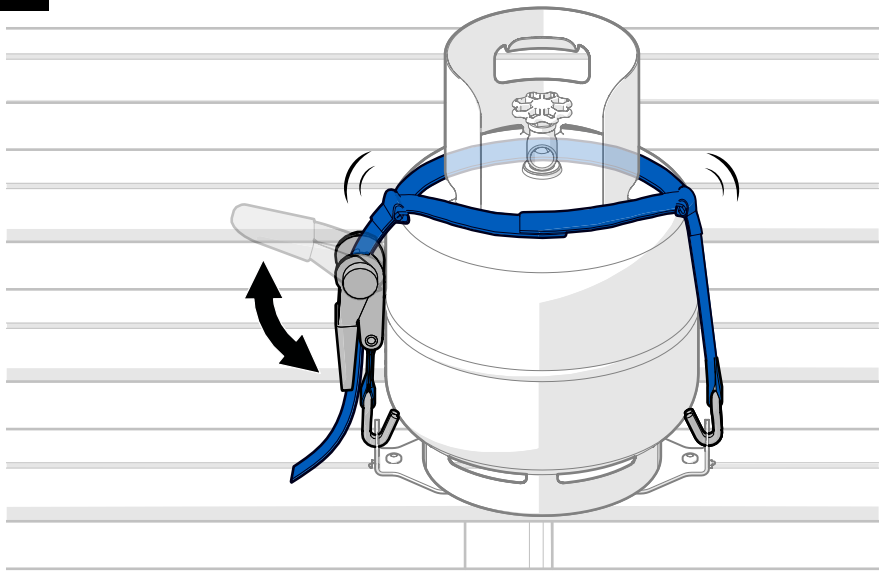
7



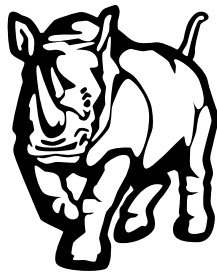
8



9 Tighten until secure



NOTES



RHINO-RACK®

MAKE SPACE FOR ADVENTURE

RHINORACK.COM

Rhino-Rack AUSTRALIA
22A Hanson Pl,
Eastern Creek, NSW, 2766

Rhino-Rack USA
19822 E 22nd Ave,
Aurora, CO, 80011