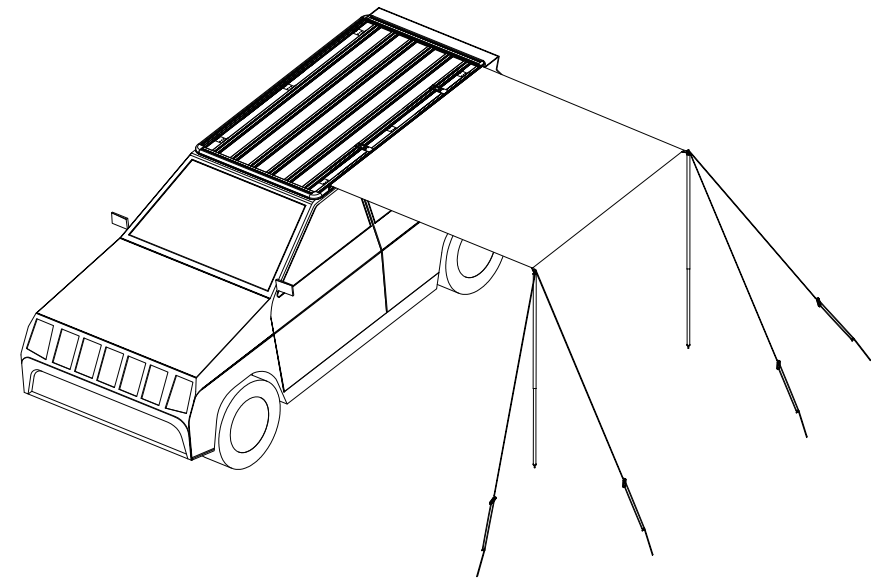


210MM



2 x 2M COMPACT 4WD AWNING



* Vehicle, roof racks, roof basket, rooftop tent are not included.

PLU: 691307
CODE: FDA2020
Manufactured and packaged for
SRGS PTY LTD
ABN 23 113 230 050
6 Coulthards Avenue
Strathpine QLD 4500, Australia
MADE IN CHINA

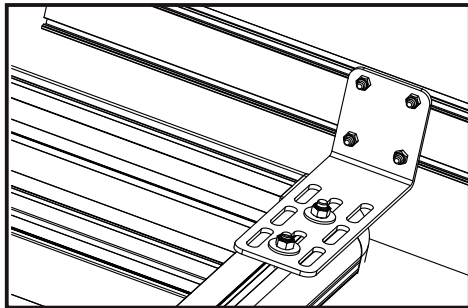
148MM

148MM

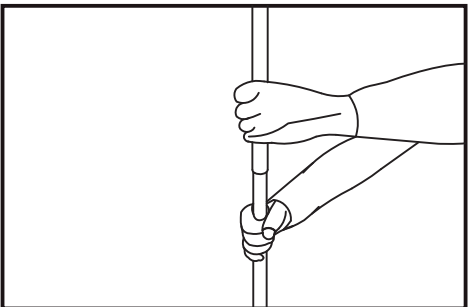
+ PARTS LIST

No.	Part Name	Qty
1	XTM COMPACT AWNING	1
2	Guy Rope	4
3	Peg	4
4	Bracket	2
5	M6 x 20mm Bolt	8
6	M6 Nyloc Nut	8
7	M8 T Slot Bolt	4
8	M8 Nyloc nut	4

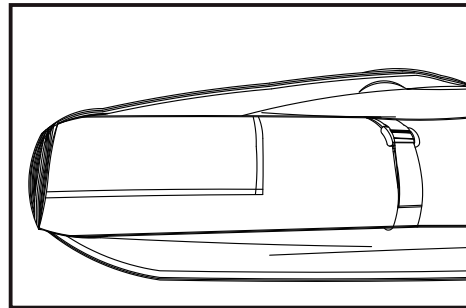
+ SETTING UP FOR USE



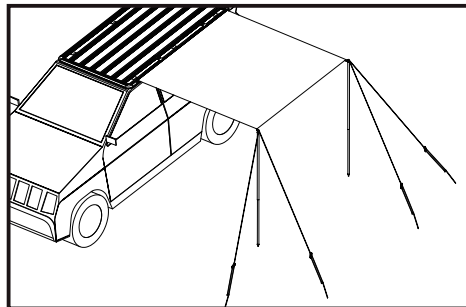
1. Using the supplied "L" brackets, insert the bolt heads into the slots of the roof rack. The bolts supplied may not be compatible with all styles of roof racks. Check you have the correct bolts to suit your roof rack before starting the installation. Attach the short side of the "L" brackets to the back of the awning with the bolts supplied.



3. Put the supplied poles tip spigot through the D ring in the both side of skin. Extend and twist-lock to the correct height.



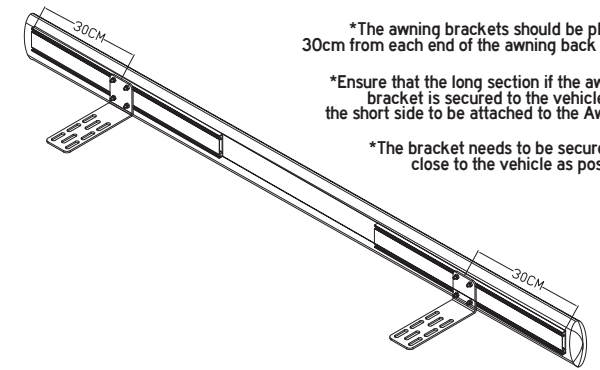
2. Unzip weather resistant cover, release the hook and loop straps and carefully unroll the 4WD Awning.



4. Attach the guy ropes to the top of the front awning upright poles. Peg out the guy ropes and pole bases ensuring the awning remains securely anchored.

NOTE:

In light rain conditions, angle the awning to allow the water to run off. The awning should be dismantled during wind or rain.



*The awning brackets should be placed 30cm from each end of the awning back plate.

*Ensure that the long section of the awning bracket is secured to the vehicle and the short side to be attached to the Awning.

*The bracket needs to be secured as close to the vehicle as possible.

+ PACK UP INSTRUCTIONS

1. Remove the pegs with a claw hammer or peg puller. Do not remove pegs from the ground by pulling on awning base as this may cause damage.
2. To pack away, simply reverse the above steps.
3. Ensure the awning is dry before packing into storage bag.

+ WARNING

Before using the awning for the first time, it is recommended to check all components have been included and you become familiar with the assembly of the awning by reading through the instructions first.

- DO NOT use any form of flame or fuel burning appliances, heaters, candles or matches inside.
- Ensure your site is free from any objects and obstructions by checking the area and clear away any rocks, tree branches or any sharp objects prior to setting up your awning.
- Keep away from any overhead power lines and do not set up under trees where there is the potential for either falling branches or lightning strikes to occur.
- Guyropes need to be used at all times and that the awning should not be used unmonitored or left up unattended.

It is crucial to do this anytime you have the awning up to minimize the impact of unexpected wind gusts.

- Keep children away from the set up area.
- When removing the pegs from the ground, never pull on the awning to remove. This may cause damage to either property or persons. Always pull on the peg itself.

This awning is not designed to be a permanent or semi-permanent structure. It is designed to be used as a portable and temporary structure.

+ CARE AND MAINTENANCE

The following are some helpful tips on how to clean and properly store your awning.

- Clean the awning with a mild solution of soap and water, rinse thoroughly. Dry completely. Do not use bleach or solvents.
- DO NOT spray insecticides or bug repellent directly or near any fabric as there is potential to cause damage to the fabric.
- Always return the awning to the storage bag after use. Be sure the awning is completely dry before storing it.
- Never store the awning wet. If the awning is wet, please take out from storage bag as soon as possible and leave spread out to dry completely before storing away.
- Due to cold air outside and warm air inside, the awning may develop condensation on the inside of the awning. This is a natural event and adequate ventilation will help minimise this.

148MM

148MM

210MM