



12V MINI CONTROL BOX 2.0

Instruction Manual



FRONT



PLU: 691058
Manufactured and packaged for
SGRS PTY LTD
ABN 23 113 230 050
6 Coulthards Avenue,
Strathpine QLD 4500, Australia
MADE IN CHINA

BACK

+ INTRODUCTION

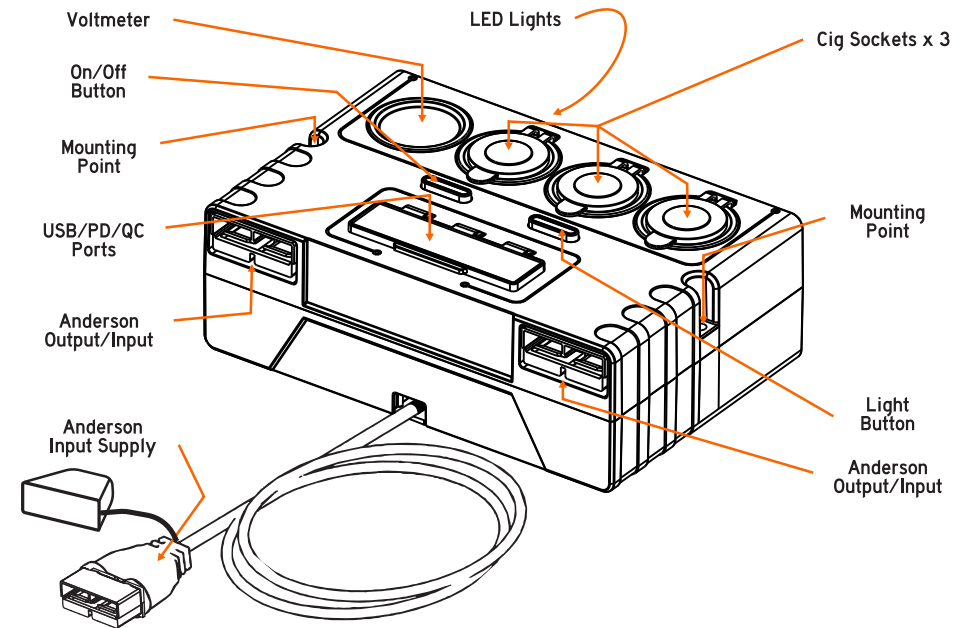
The XTM 12V Mini Control Box is a compact low voltage distribution device with multiple outlets suited to 12 Volt and other low voltage appliances. The XTM 12V Mini Control Box is perfect for use when connecting many devices to one 12 Volt power source as the multiple sockets allow for easy connection. Up to 5 x 12 Volt main devices can be connected and up to 6 x USB devices with a maximum current of 40 Amps. The XTM 12V Mini Control Box has an inbuilt voltmeter for battery voltage monitoring and also an integrated LED interior light with dimming function. The unit can be used as a portable freestanding device or it can be mounted for fixed installation. We hope you enjoy your Mini Control Box, please read the instructions below carefully to get the most out of it.

+ INSTALLATION

The XTM 12V Mini Control Box may be used free standing for portable use. If however you want it permanently mounted follow the steps below:

- Ensure the installation area is a flat surface and accessibility to the unit is not obstructed.
- Ensuring the unit is level use the screws provided to secure. We recommend predrilling the mounted surface first and fastening the screws by hand screwdriver only. Do not over tighten the mounting screws.
- Connect the 12 Volt supply via the input Anderson style connector. This is either a permanent supply from a battery, or it could also be from an Anderson extension cable from a portable battery box when using the unit for portable use. The unit is now ready for use.

+ OVERVIEW



+ OPERATION

Voltmeter and USB Ports

Once installed and connected to a 12 Volt power source the unit is ready to power devices. The On / Off button is used to turn the voltmeter display on and off. All other outputs including the USB/PD/QC and 50A Anderson ports are always ON as soon as the main input supply is connected.

LED Light

To operate the LED light, simply press the Light button to activate the LED light. The brightness of the light can be adjusted in steps. Simply keep pressing the Light button to reach the desired brightness. To turn off the light, keep pressing until the light goes out.

Cig Sockets

All cig sockets are sharing a 10A fuse. There is a spare 10A fuse provided inside the unit.

Anderson Inputs/Outputs

The three input/output Anderson connections share a 40A auto reset circuit breaker. If the combined input/output through the Anderson connections exceed 40A, the circuit breaker will trip, and it will recover once the thermal protection resets.

+ TROUBLESHOOTING

PROBLEM	SOLUTION
1. USB/PD/QC Ports not working / Charging	a) Ensure the unit is at operating voltage 12 Volt +
2. The LED Light button is not working	a) Ensure the unit is at operating voltage 12+ b) Ensure you have pressed the button multiple times to step up the brightness level.
3. There is no power from the cig sockets	a) The internal fuse may have blown. Carefully unscrew the back of the unit, there is one spare red 10A fuse inside which can be used for quick field repair
4. There is no power from the unit at all	a) The unit may be overloaded. There is an auto reset circuit breaker inside. Disconnect all appliances, wait 5 minutes, then check ON modes is working if so try appliances one by one to ensure no short circuits.

+ SPECIFICATIONS

VOLTAGE: 12 Volt DC

CURRENT MAX:

- CIG SOCKETS 30A FUSED (SPARE INSIDE)

- ANDERSON STYLE INPUT/OUTPUTS 40A TOTAL AUTO RESET BREAKER

USB: 4 X 2.1A

USB-C PD: 1 X 18W

QC 3.0: 1 X 18W

BATTERY STATE OF CHARGE GUIDE

12.7 VOLT - 100% 12.5 VOLT - 80%

12.2 VOLT - 50% 10.5 VOLT - FLAT

INPUT CONNECTION

50AMP ANDERSON CONNECTOR 1M 8B&S CABLE

+ WARRANTY

Our product is guaranteed to be free from quality and manufacturing defects for a period of 12 months.

If your product becomes defective during this period, SRGS PTY LTD will offer you either a replacement, credit or refund where a product is faulty; wrongly described; different from the sample shown to you or do not do what they are supposed to do.

This warranty will not cover substantially modified product; misuse or abuse of the product contrary to user instructions or packaging label; change of mind and normal wear and tear. Our goods come with guarantees that cannot be excluded under the Australian Consumer Law. You are entitled to a replacement or refund for a major failure and for compensation for any other reasonably foreseeable loss or damage. You are also entitled to have the goods repaired or replaced if the goods fail to be of acceptable quality and failure does not amount to a major failure.

To claim the warranty, take the product to the front Service Desk of your nearest store of purchase. You will need to show receipt or other proof of purchase. Additional information may be required to process your claim.

Should you not be able to provide proof of purchase with a receipt or bank statement, identification showing name, address and signature may be required to process your claim.

Any expenses relating to the return of your product to the store will normally have to be paid by you. For online store purchases, SRGS PTY LTD will pay for the return freight for any product assessed as having a major failure.

The benefits to the customer given by this warranty are in addition to other rights and remedies of the Australian Consumer Law in relation to the goods or services to which this warranty relates.

This warranty is provided by SRGS PTY LTD, 6 Coulthards Avenue, Strathpine QLD 4500, Australia.

Phone: 1300 880 764.