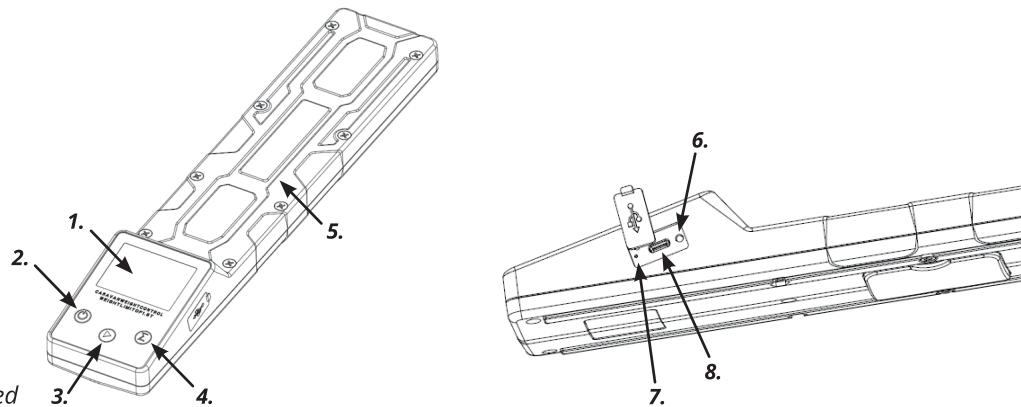


Please read the manual carefully before using this product

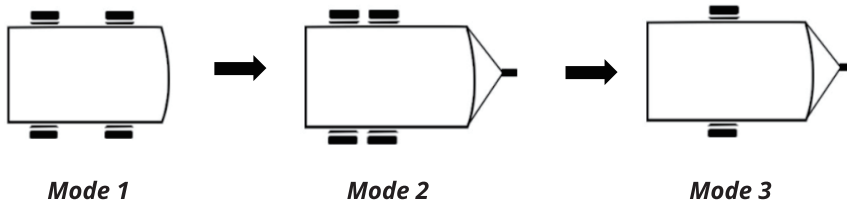
1. Digital display
2. On/off button
3. Mode switch button
4. SUM button
5. The area for load-bearing
6. Charging Indicator
7. Reset switch
8. TYPE-C charging port, Charging cable included



Power ON/OFF Press to switch on and hold for 3 seconds to switch off.

Mode switch:

1. Press on/off button to start
2. Hold the SUM button, then press the Mode Switch button to switch modes
3. There are three modes to choose from, illustrated below



Recommended Usage:

- Position the product approximately 40-50cm away from the tires.
- Start the vehicle, release the brake completely, and avoid pressing the accelerator.
- Drive at a steady pace through the designated area.
- Reverse mode is recommended to use.

Reset switch:

When the display area of the product function fails or the power switch function fails, insert the reset-tool into the 07 hole, start the reset switch, the product will return to the initial 'state'

Specifications:

Size: 360 x 72 x 47 mm
 Weight: 1,28 kg
 Battery Specification: 3,7 V, 600mAh Lithium polymer battery
 Input voltage/current: 5V / 0,6A
 Battery capacity: 15 hours (approximately 60 rounds of use)
 Waterproof grade: IP44

Warning:

1. Don't measure the weight of product over 1500 KG.
2. The control panel must not be compressed by heavy objects.
3. The product should not be immersed in water or be used/stored for long periods of time in a humid environment.
4. When measuring the weight of the object, the accuracy tolerance is 2.5%.
5. Please make sure to use this product on a hard and even surface, and avoid slippery roads.



CE IP44

Please read the manual carefully before using this product

Definition of symbols:

Programme 1	Programme 2	Programme 3
<i>Caravan single axle and trailer</i>	<i>Caravan twin axle and trailer</i>	<i>Motorhome and vehicle</i>
<i>Weight jockey wheel</i>	<i>Weight jockey wheel</i>	<i>Weight right front wheel</i>
<i>Weight right wheel</i>	<i>Weight right wheel</i>	<i>Weight right back wheel</i>
<i>Weight left wheel</i>	<i>Weight left wheel</i>	<i>Weight left front wheel</i>
<i>Total weight</i>	<i>Total weight</i>	<i>Weight left back wheel</i>
		<i>Total weight of left side of vehicle</i>
You have driven too fast over this Weight Control. Reweigh this wheel		<i>Total weight of right side of vehicle</i>
		<i>Total weight of the vehicle</i>
<i>Symbol is blinking</i>		<i>Symbol is lighting up</i>