

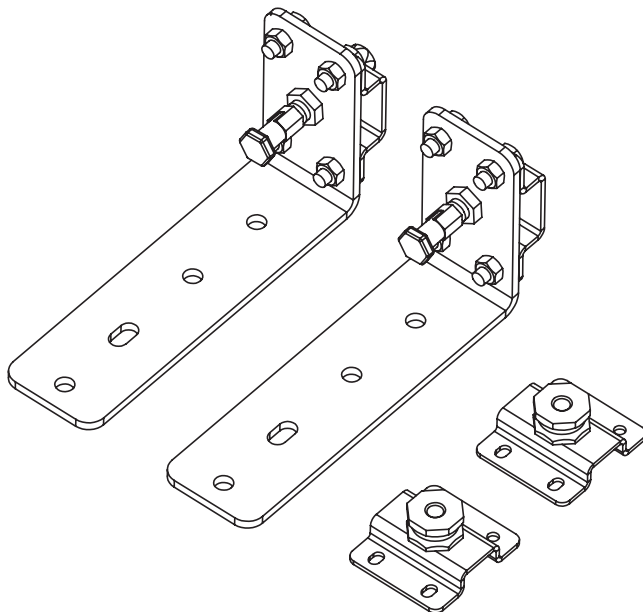


# + AWNING BRACKETS QUICK RELEASE

## Instruction Manual

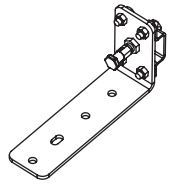
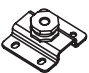
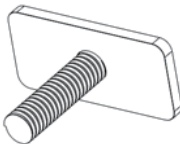


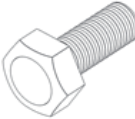

To ensure correct operation, please carefully read the manual before installation.

210MM



148MM

## + PARTS LIST

<b>Bracket A</b> <b>2 PCS</b> 	<b>Bracket B</b> <b>2 PCS</b> 
<b>M8*30mm T Slot bolts</b> <b>4 PCS</b> 	<b>M8 Nyloc Nuts</b> <b>4 PCS</b> 
<b>M8 Washers</b> <b>4 PCS</b> 	<b>M6*20mm Bolts</b> <b>8 PCS</b> 
<b>M6 Nyloc Nuts</b> <b>8 PCS</b> 	

## + WARNING

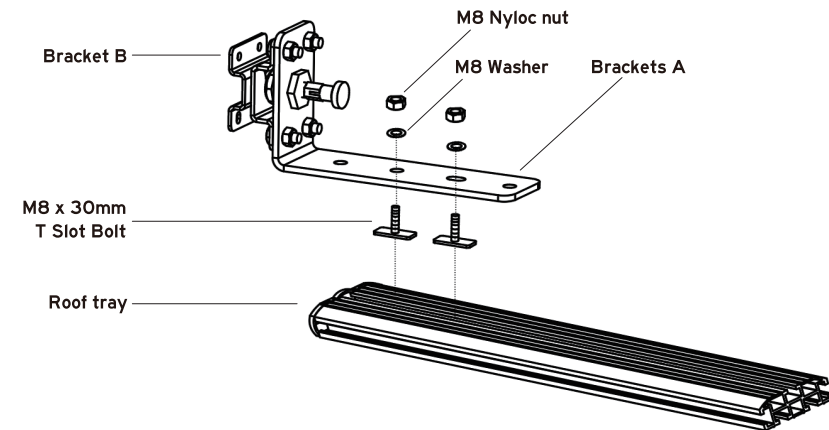
Please read and understand all the following safety information prior to installing and using the awning brackets.

- The awning brackets are designed to fit XTM pullout awnings.
- Ensure that all the mounting brackets are installed correctly as per instructions. Inspect the connections periodically to ensure all bolts and nuts are tight.

## + BRACKETS ASSEMBLY

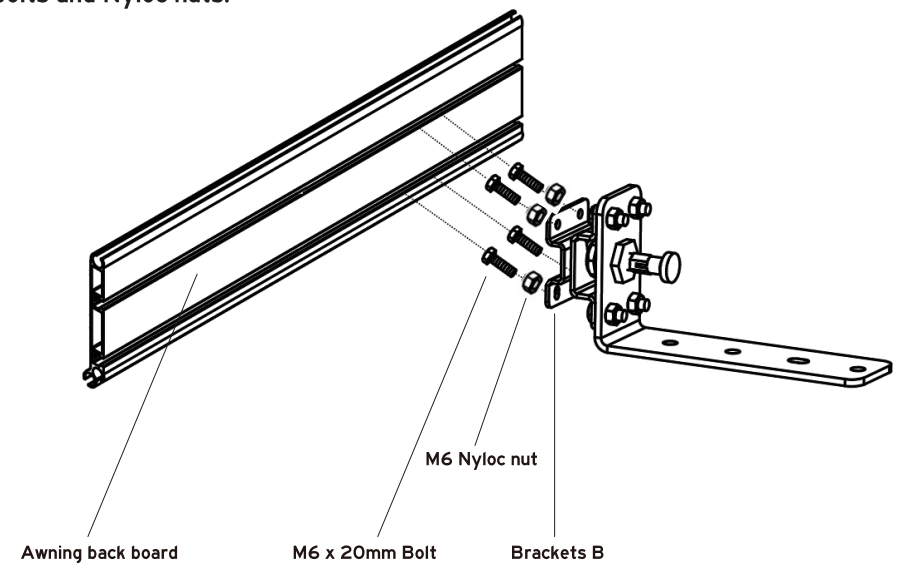
### STEP 1

Using the M8 x 30mm T Slot bolts, washers and Nyloc nuts to assemble the Brackets A on the appropriate position of roof tray.



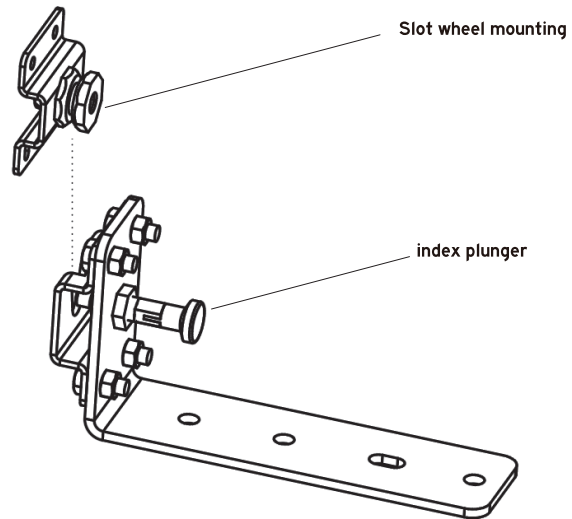
### STEP 2

Attach the Brackets B to the awning board of the awning with the M6 x 20mm bolts and Nyloc nuts.



## + RELEASE AWNING INSTRUCTIONS

1. Pull out index plunger and rotate 90 degrees.
2. Lift the slot wheel mounting up then take it out from the Bracket A.



### Remark:

To attach awning, just simply reverse the above steps.

PLU: 686791  
CODE: QRK02  
Manufactured and packaged for  
SRGS PTY LTD  
ABN 23 113 230 050  
6 Coulthards Avenue,  
Strathpine QLD 4500, Australia  
MADE IN CHINA