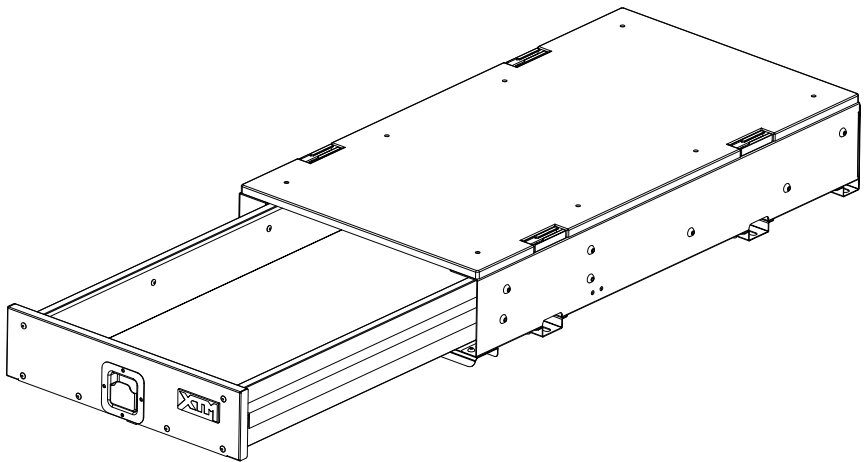


PLU: 683949
CODE: CZ004B-BG
Manufactured and packaged for
SRGS PTY LTD
ABN 23 113 230 050
6 Coulthards Avenue
Strathpine QLD 4500, Australia
MADE IN CHINA

4x4 ACCESSORIES

+ 4WD SINGLE DRAWER X-LITE

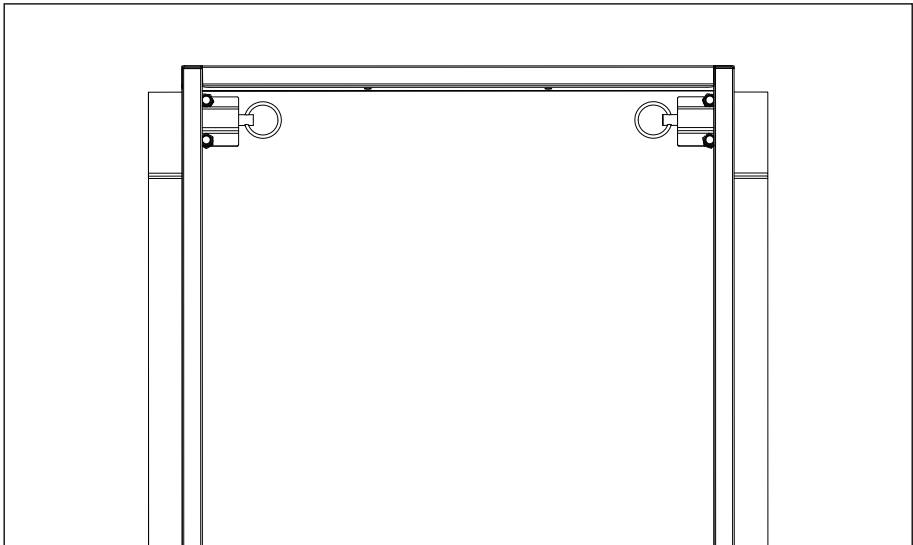
Instruction Manual



+ 4WD SINGLE DRAWER X-LITE-PLU 683949

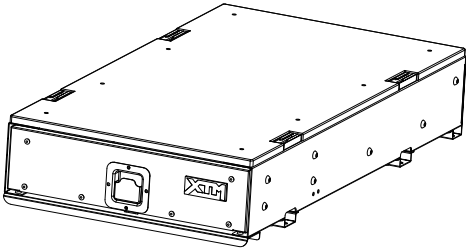
- + Thank you for purchasing the XTM 4WD SINGLE DRAWER X-LITE. Before use, please ensure that the latches inside the drawer will stop on the bumpers inside the drawer casing.

Below is an image of the latches inside the drawer. The drawer tub can be removed by pulling these two latches together.

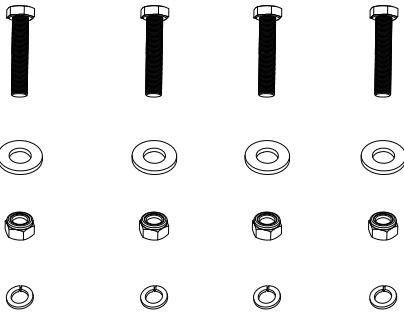


NOTE: Drawer top maximum weight capacity 60kg, tub maximum weight capacity 40kg.

+ PART LIST



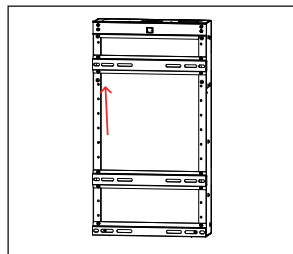
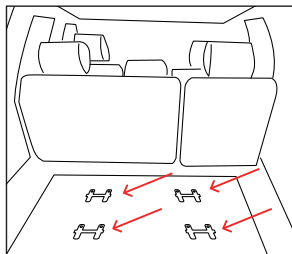
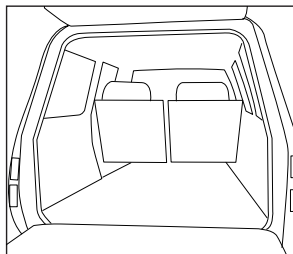
- + Drawer Specifications
- External Size: L88 x W47 x H16cm
- Net Weight: 19kg
- Drawer Pull Out Length: 53cm



- + Mounting Kit
- 4 x M10 x 50mm Bolts
- 4 x M10 Washers
- 4 x M10 Nyloc nuts
- 4 x M10 Spring washers

+ LOCATING MOUNTING SPACE IN CAR

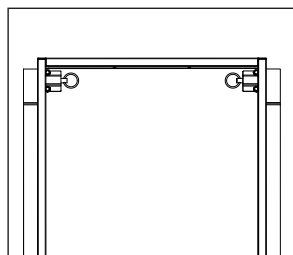
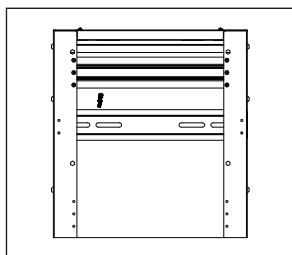
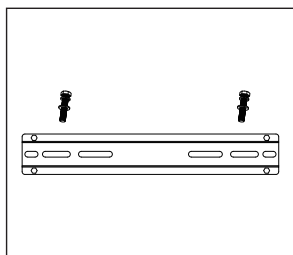
- + **IMPORTANT:** This drawer is designed to mount on a flat surface in the rear of car. Please carefully check the drawer size and make sure it will be able to be attached. For some vehicles, the configuration of the rear floor means a flat plywood board (not supplied) may be required to be added for secure and easy mounting.



- + Before installing the drawer, please check the car owner's handbook or the rear base of your vehicle for anchor point location.

- + If anchor point available, use the chair anchor points to bolt the drawer onto your car.
- + If anchor point not available, a flat plywood board with a minimum of 12mm thickness (not supplied) will be required to be added.

- + Check the size between the chair mounting points and compare with the mounting rail at the bottom of the drawer.
- + Move mounting rail to desired position.



- + Use the M10 bolts, nuts and washers from mounting kit to bolt drawer. Some vehicles may require longer or shorter bolts. Please check your owner's handbook or contact your local vehicle dealer if unable to locate or no anchor points available.

- + To access the bottom mounting rail, loosen the screws on the top panel and carefully remove the top panel. Then gently pull out the drawer tub. After assembly make sure the top panel is screwed back firmly into place.

- + Release the two latches at rear of drawer for ease of removal.

WARNING

CHECK ANCHOR POINTS REGULARLY TO ENSURE DRAWER IS SECURELY ATTACHED. DO NOT ANCHOR CHILD RESTRAINTS TO THE DRAWER. IT IS NOT RECOMMENDED TO LEAVE ANY VALUABLES IN THE DRAWERS.

+ STACKABLE VERTICAL DRAWER OPTION

+ The universal design allows drawers to be stacked. Use your M8 x12mm bolts and washers/nuts (not supplied) and follow the steps below:

