

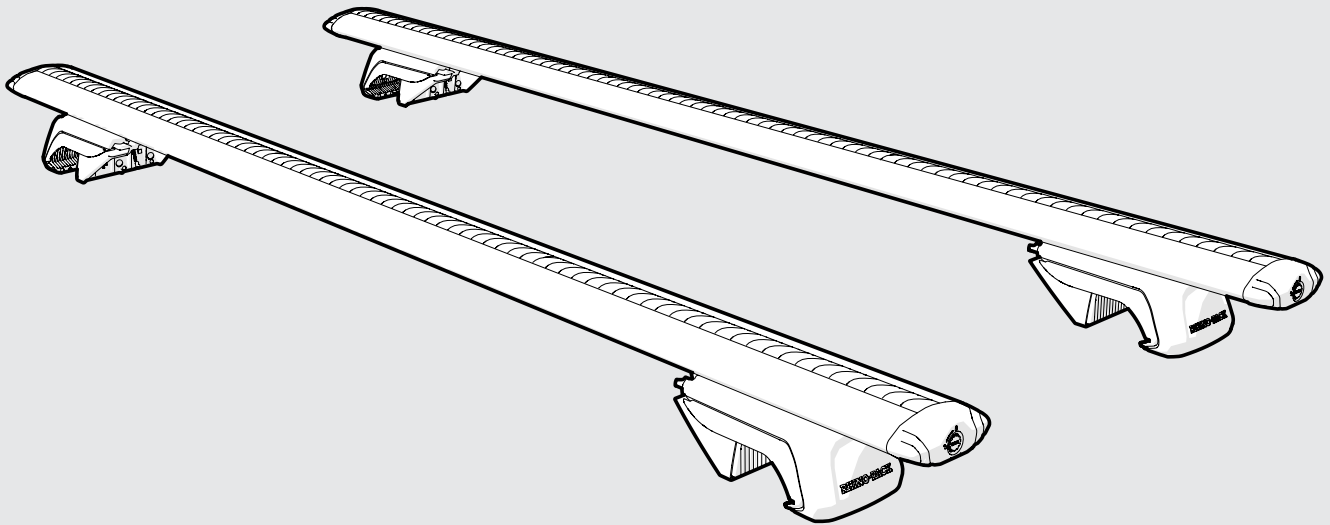
RHINO-RACK®

RX100 Vortex Crossbar Kit RXB1VA118B -150B

Important:

1. Check the Rhino-Rack website to ensure you have the latest issue of these instructions.
2. Please refer to your fitting instruction to ensure that the roof racks are installed in the correct locations.
3. Check the contents of kit before commencing fitment and report any discrepancies.
4. Place these instructions in the vehicle's glove box after installation is complete.
5. These instructions must be followed for warranty to be upheld.

Fit Time: 15 mins

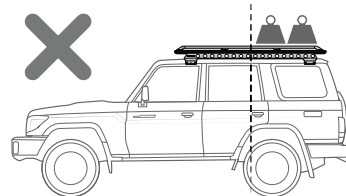
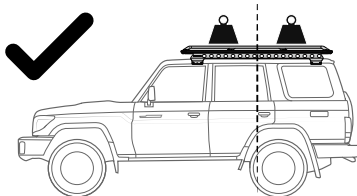
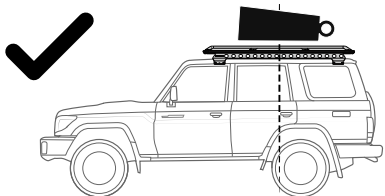
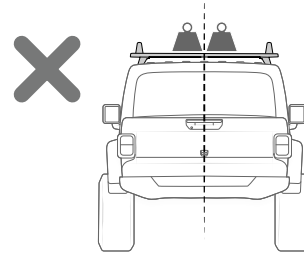
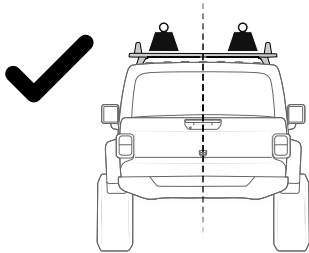
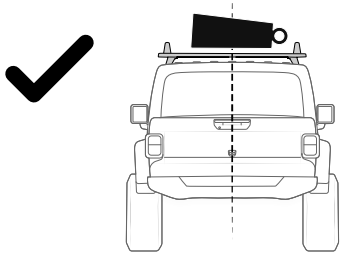


RHINORACK.COM

Doc. No: 520-RFI-00133

Issue No: 01

Issue Date: 02/06/2023

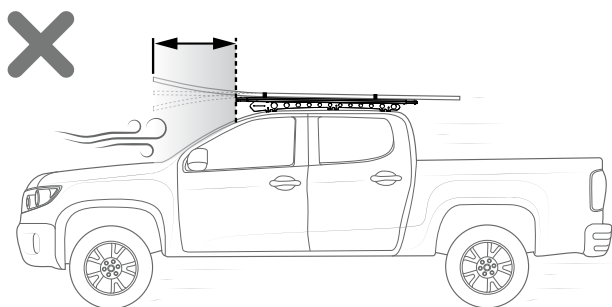
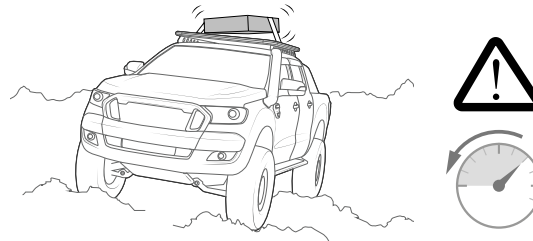
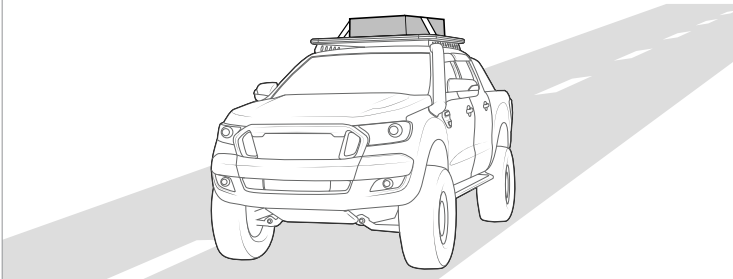


Distribute loads evenly and laterally/longitudinally as low as possible over the span.

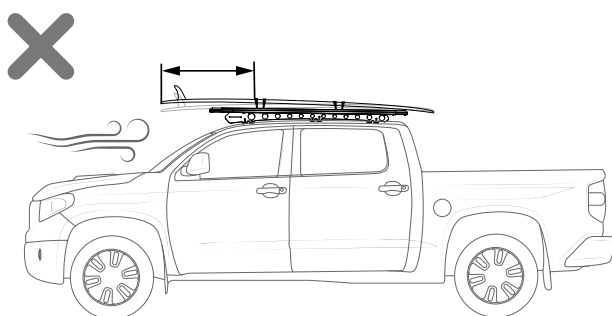
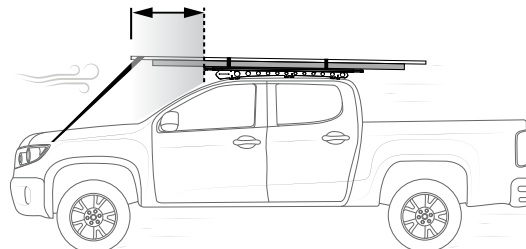
Avoid point loads concentrated at the front or rear.

Exercise extreme care when transporting wind-resistant loads. Special consideration must be taken when cornering and braking.

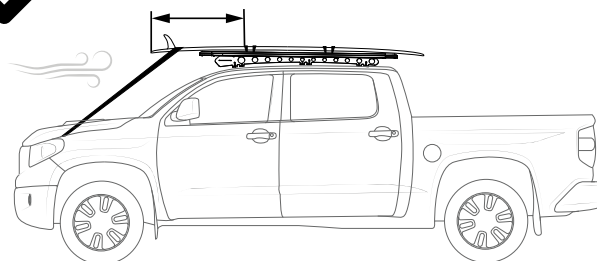
Off-road conditions can be much more rigorous. Extreme care must be taken on any driven path that does not contain a surface protection layer (tar/bitumen).



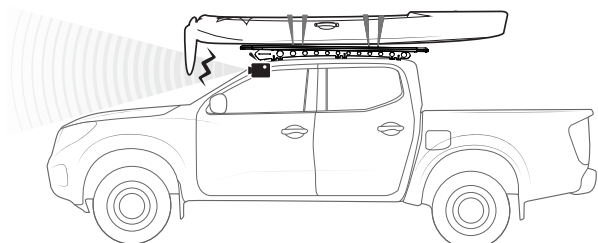
Long flexible loads must attach securely to rigid support and be tied down to the bonnet



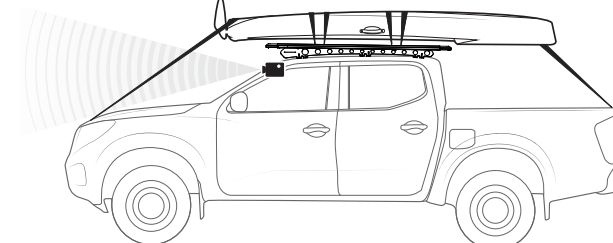
Surfboard Overhang > 600mm / 23 5/8in must be tied to the bonnet



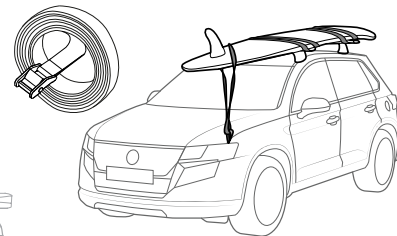
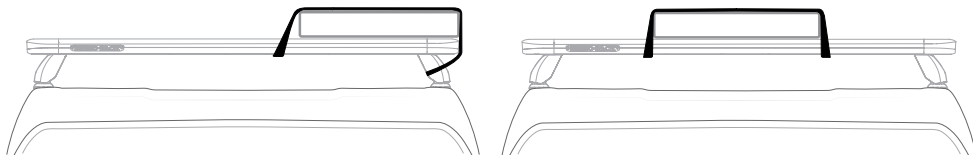
Do NOT obstruct windscreen camera sensors



Warranty for roof rack system will be void if the front of the kayak is not secured to the bonnet

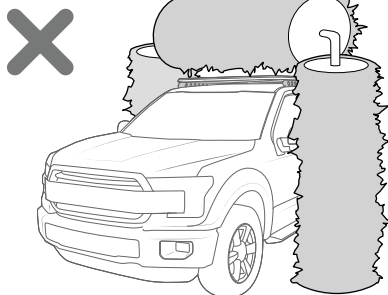
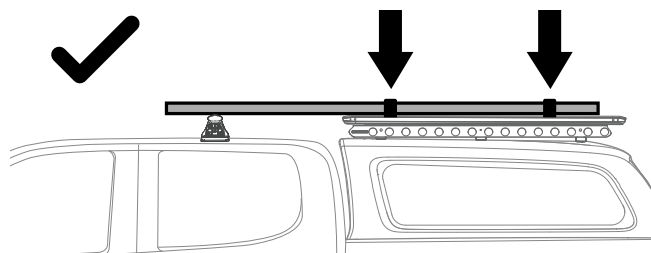
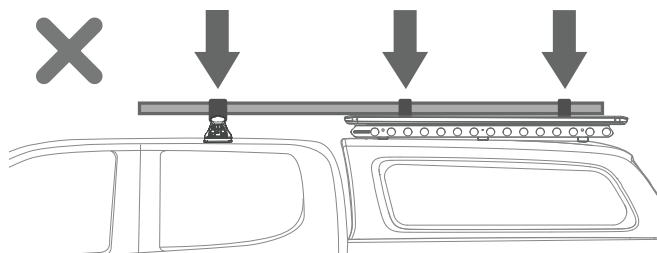


✘ Loads must be tied down to Crossbars, **NOT** around legs



Use only non-stretch fastening ropes or straps to attach cargo to roof racks

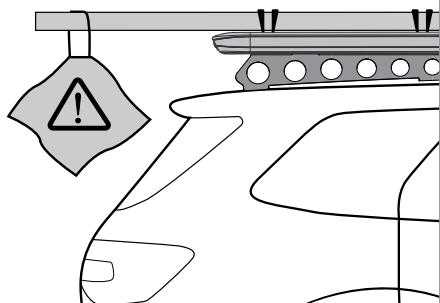
Tub/tray/canopys can move independently from the vehicle cabin. Rigidly fix to either the cabin roof racks **or** the tub/tray/canopy roof racks but not both simultaneously.



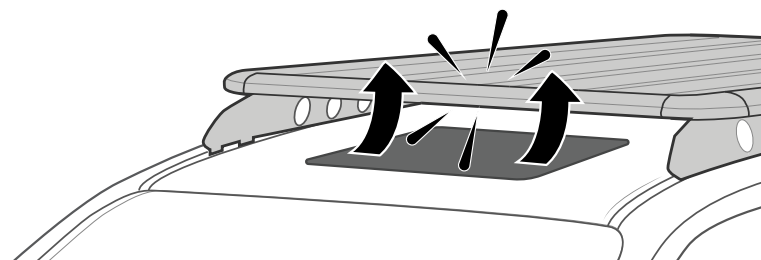
Racks must be removed when vehicle is put through an automatic car wash.



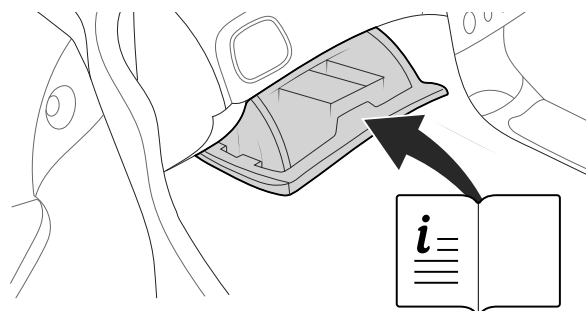
Ensure Ladder is well supported on the ground to support tent. Take extreme caution when climbing heights above 1.2m/4ft.



Ensure sunroof will not collide with roof rack system.



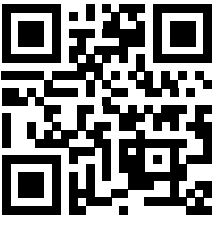
[Youtube.com/Rhinorackaustralia](https://www.youtube.com/Rhinorackaustralia)



Place these instructions in the glove box once installation is complete

Carrying Capacity



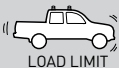

Check the website and the **vehicle owners hand book** for your vehicle manufacturer’s maximum carrying capacity. Load must be evenly distributed over the system.




VISIT THE ONLINE CALCULATOR FOR CURRENT SYSTEM LOAD LIMIT DATA

DYNAMIC LOAD LIMIT (On and Off-road) :

*USE THE VEHICLE MANUFACTURER’S MAXIMUM ROOF ALLOWANCE IF IT IS LOWER THAN THE FIGURE LISTED

 CARGO	 SYSTEM WEIGHT	 LOAD LIMIT	OR	 Max kg
UP TO 95 KG 209 lbs	+ 5 KG 11 lbs	=	UP TO 100 KG 220 lbs	*VEHICLE MANUFACTURER’S ROOF LOAD LIMIT

 **STATIC LOAD LIMIT: UP TO 250KG / 551LBS***



Cargo Load Limit

Total permissible weight allowed on top, and attached to roof racks whilst the vehicle is in motion.



System Weight

Total weight of the roof rack system. (e.g. Crossbars, Backbone, Platform)



Max System Load Capacity

Please ensure you use the vehicle manufacturer’s maximum roof allowance if it is lower than the figure listed in the fitting chart/supplement.



Vehicle Manufacturer’s Load Limit

Total permissible weight attached to the roof of the car. This is inclusive of the weight of the roof rack system.

In service maintenance checks

- All bolt connections should be checked after driving a short distance when you first install your roof racks.
- All bolted connections should be checked again at regular intervals (weekly is recommended, depending on road conditions, usage, loads and distances travelled).
- All bolted connections should be checked each time they are re-fitted.
- Off-road conditions are more rigorous. Check all bolted connections and your load more regularly.
- Ensure that your vehicle manufacturer’s GVM, and gross axle weights are not exceeded (refer to vehicle owner’s manual).

Note for Dealers and Fitters

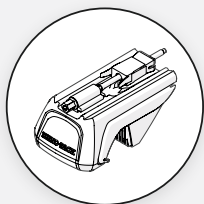
It is your responsibility to ensure these fitting instructions are given to the end user or client. These instructions remain the property of Rhino-Rack Australia Pty. Ltd. and may not be used or changed for any other purpose than intended.

Warranty

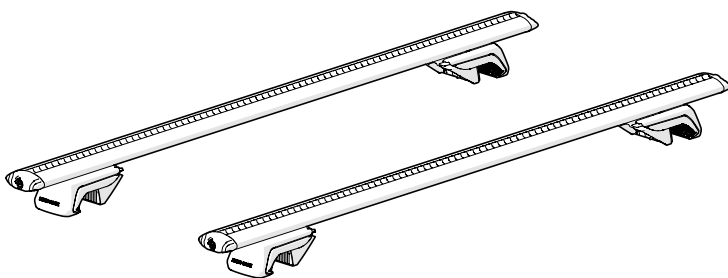
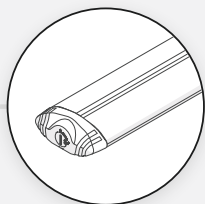
We love creating our products for you and hope you love using them too. For complete peace of mind, register your product at www.rhinorack.com/warranty. This way, we can quickly help you with any future warranty claims. And remember – never to forget to **Make Space For Adventure!**

SYSTEM COMPONENTS

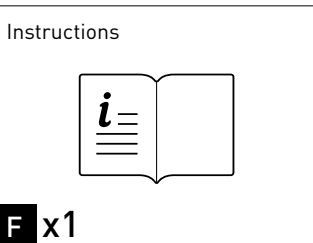
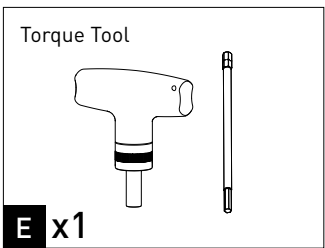
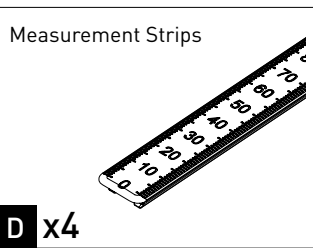
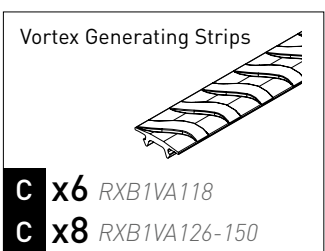
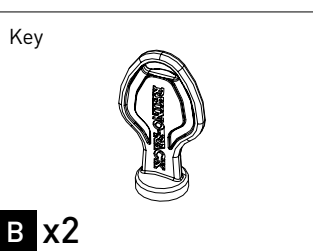
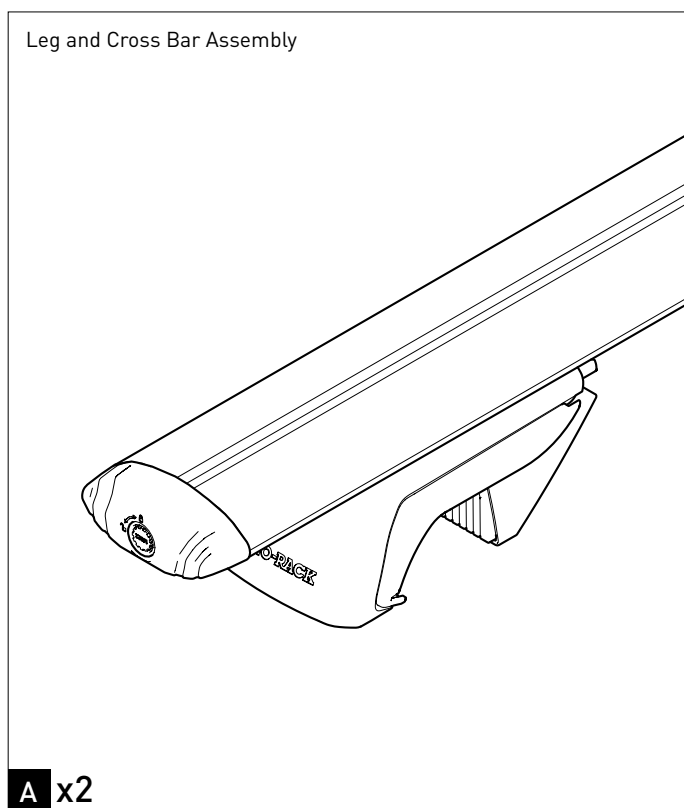
LEGS



BARs



Parts List (Preassembled)



TOOLS REQUIRED:
T1 - Tape Measure
T2 - Marker / Pencil
T3 - Knife or Scissors

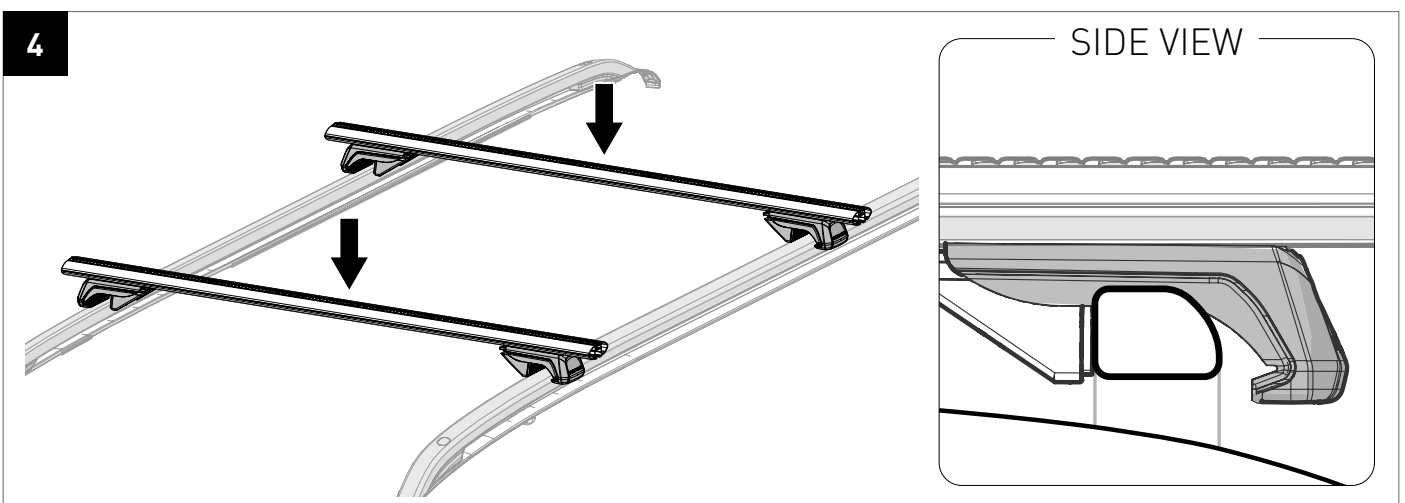
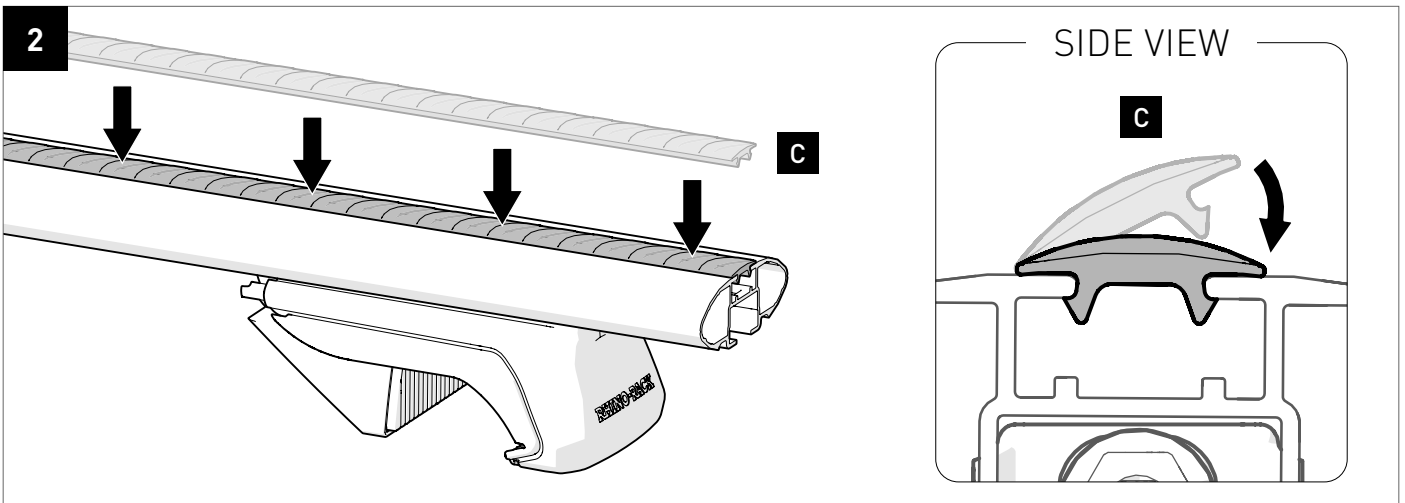
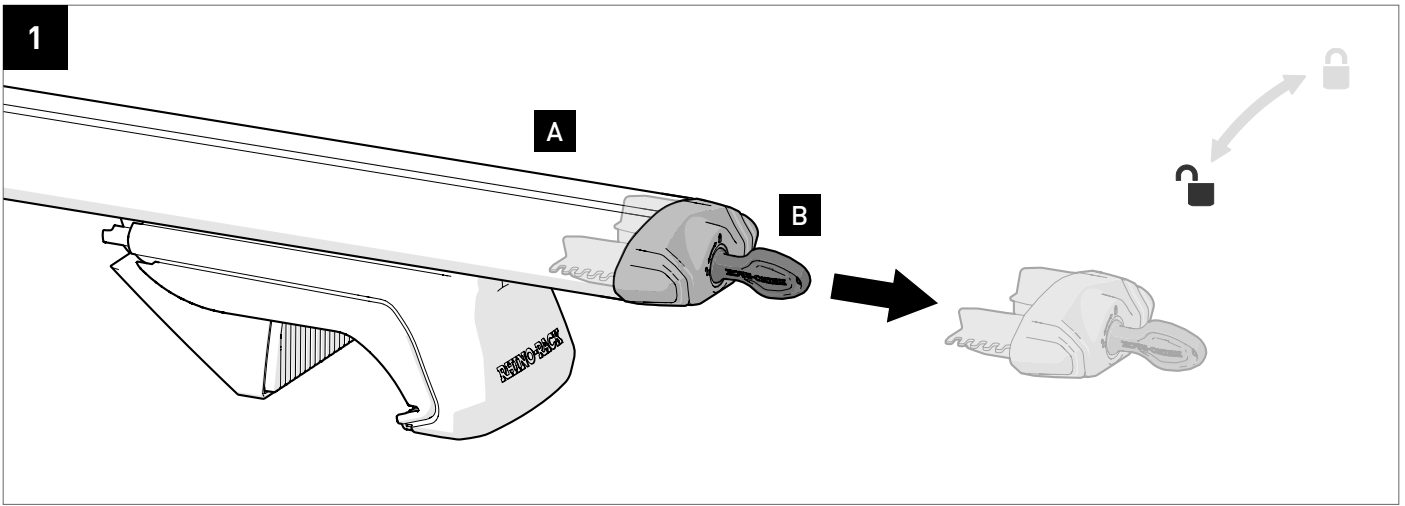
Contents

For **POST 2022** Vehicles complete Steps **1** - **2** and **12** - **20**

(References vehicle-specific Cross Bar Supplement Sheet)

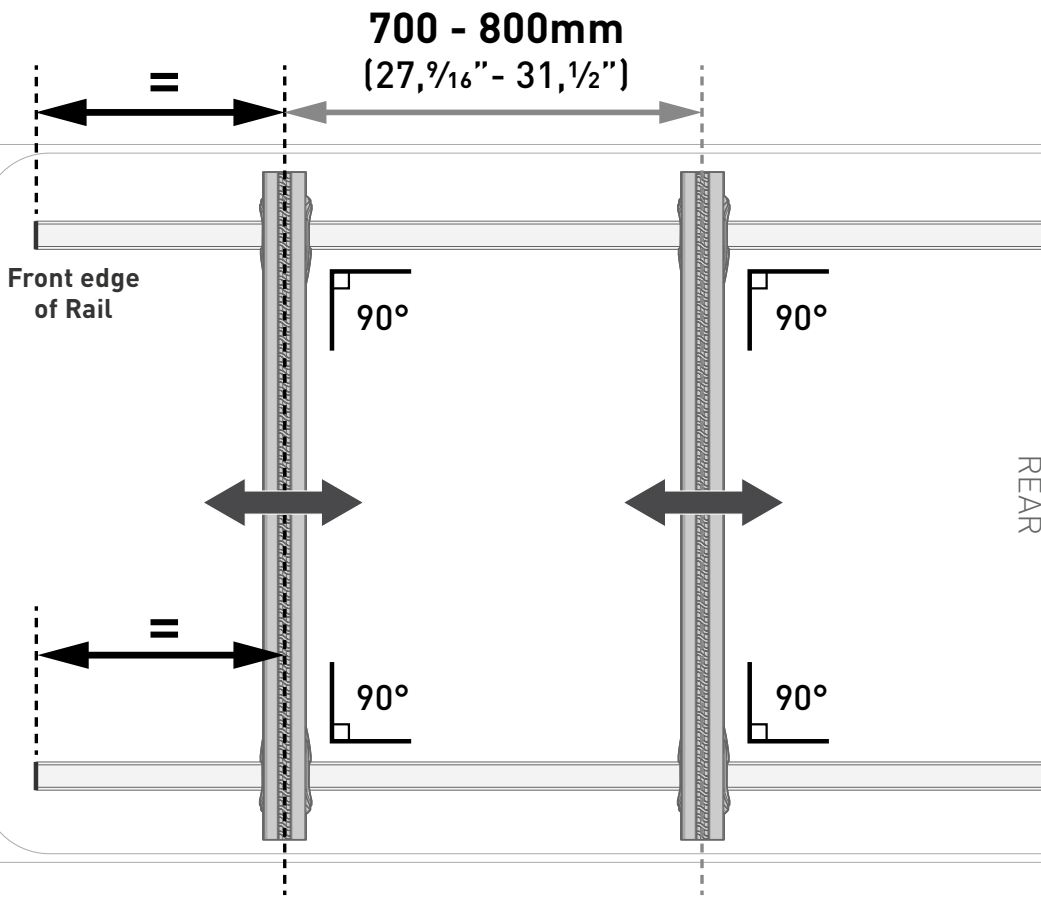
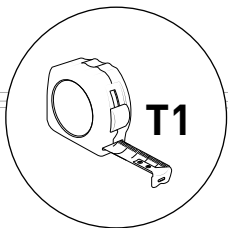
For **PRE 2022** Vehicles complete **ALL** Steps

(Manual measurement steps required)

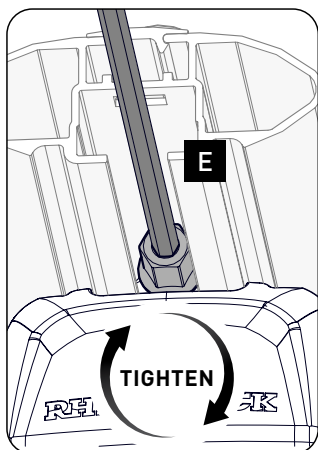
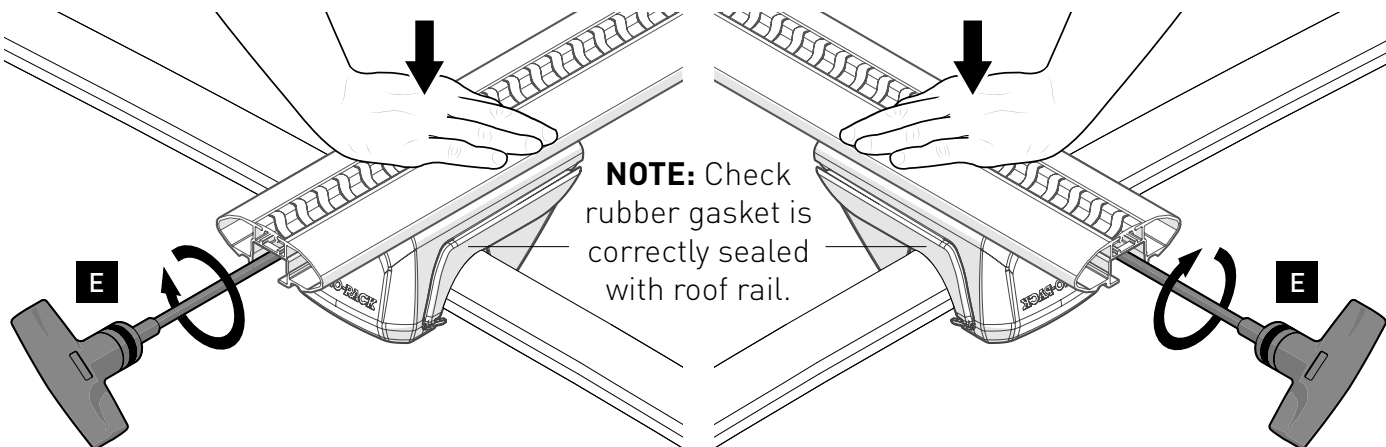


5

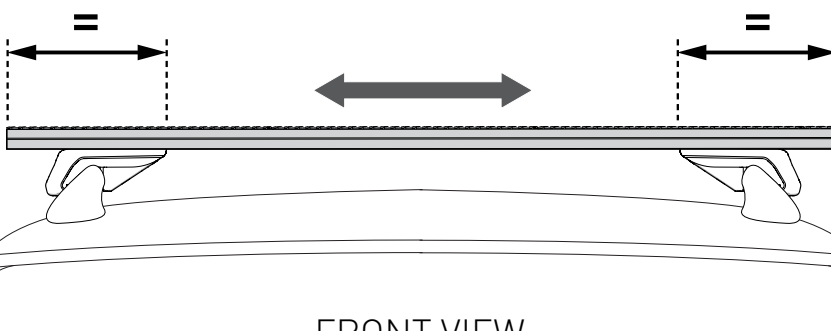
TOP VIEW



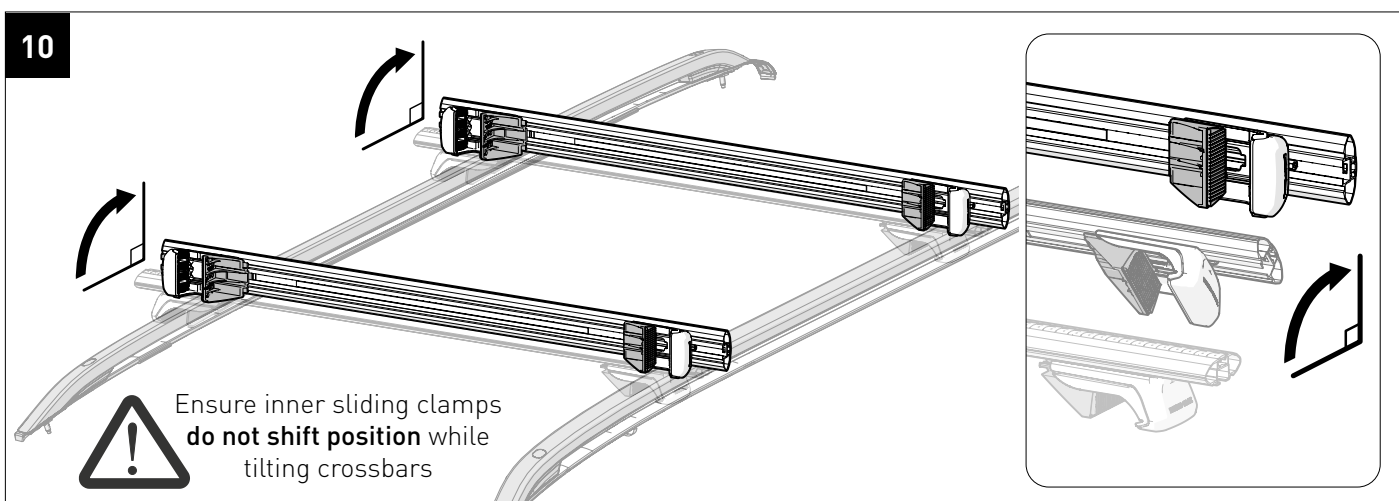
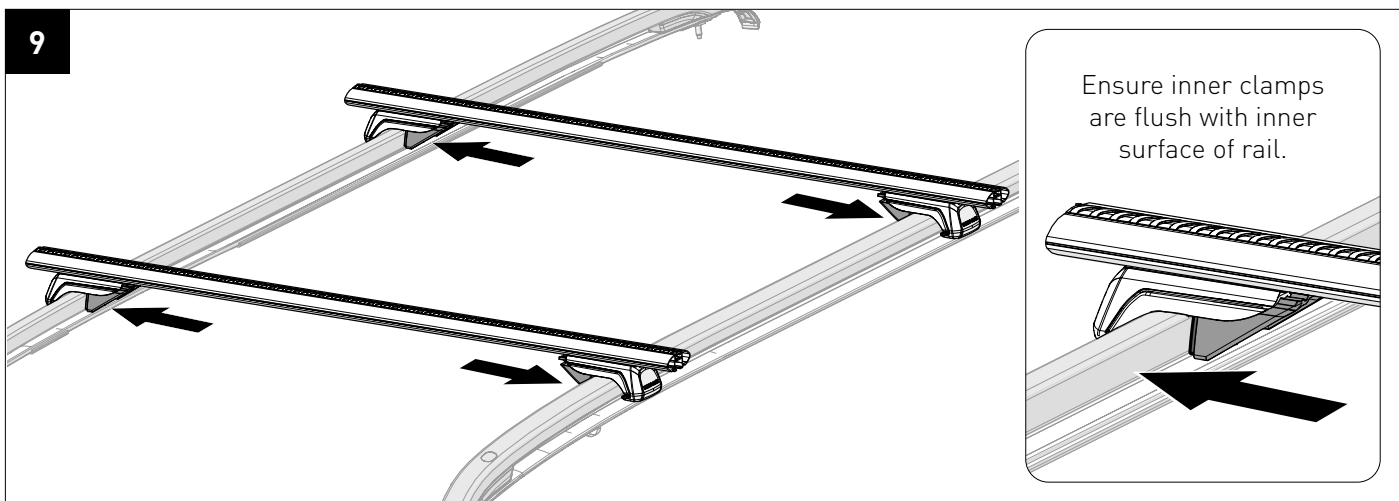
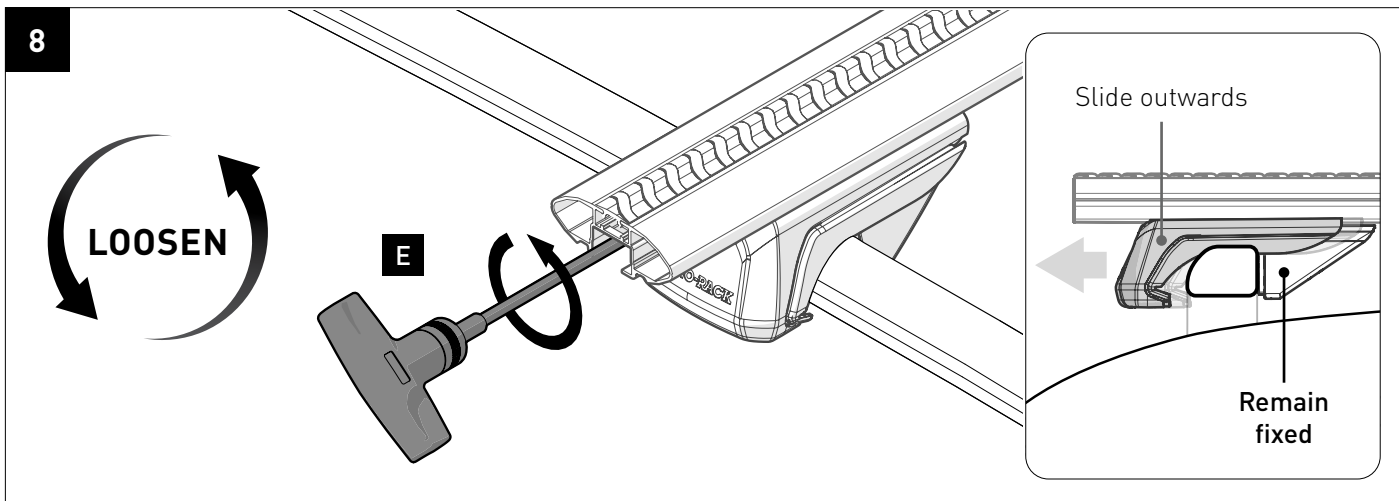
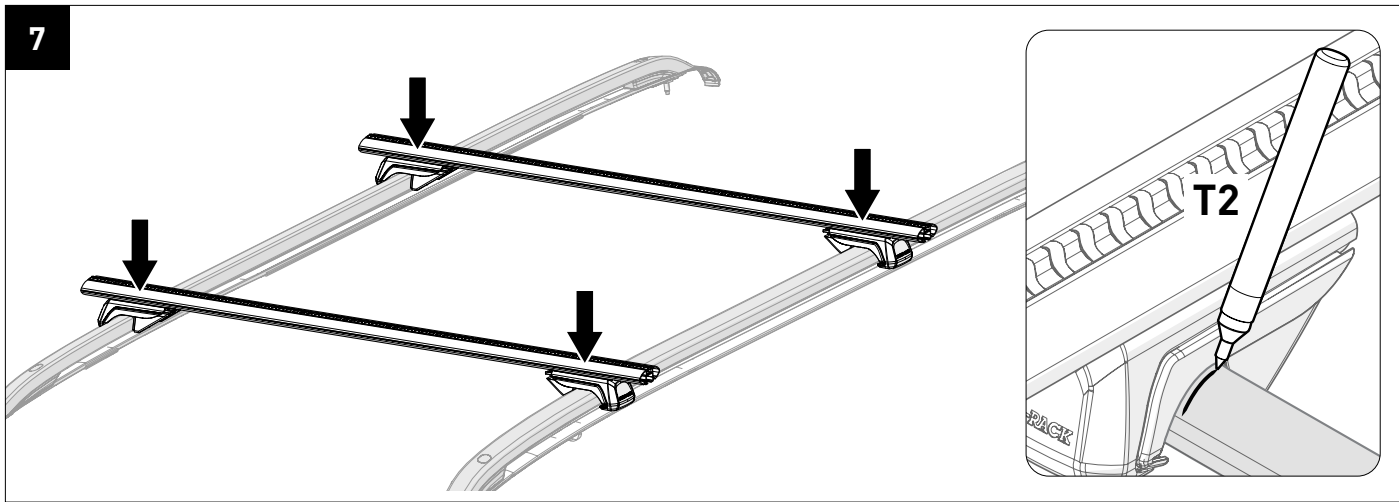
6 Incrementally tighten each leg so that crossbars are firmly set in position.

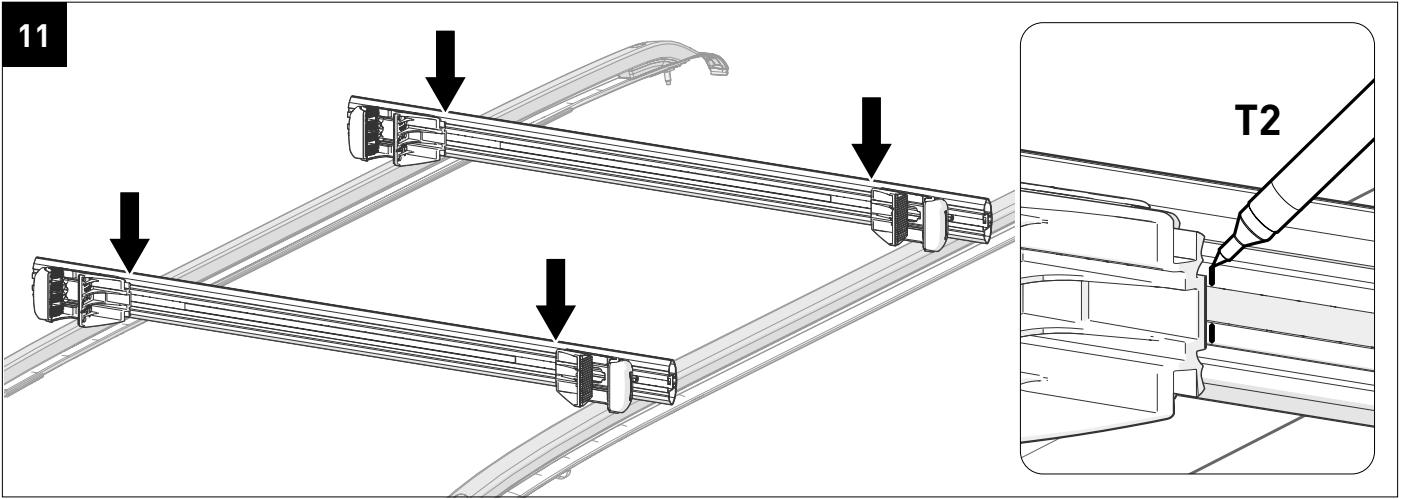


While incrementally tightening, ensure bar overhang is equidistant



FRONT VIEW



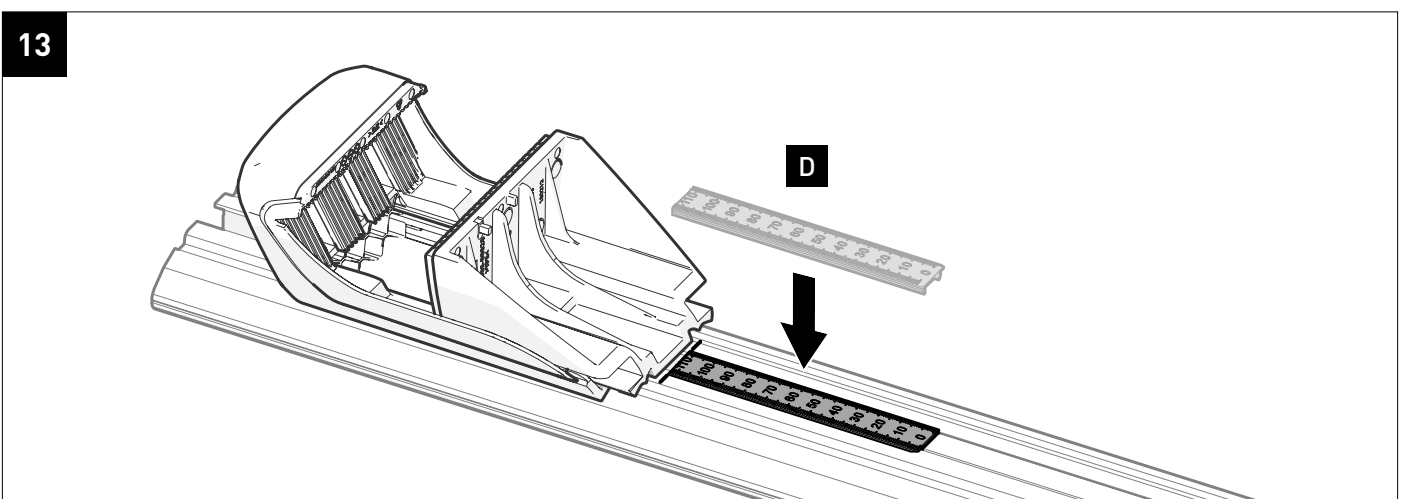


12

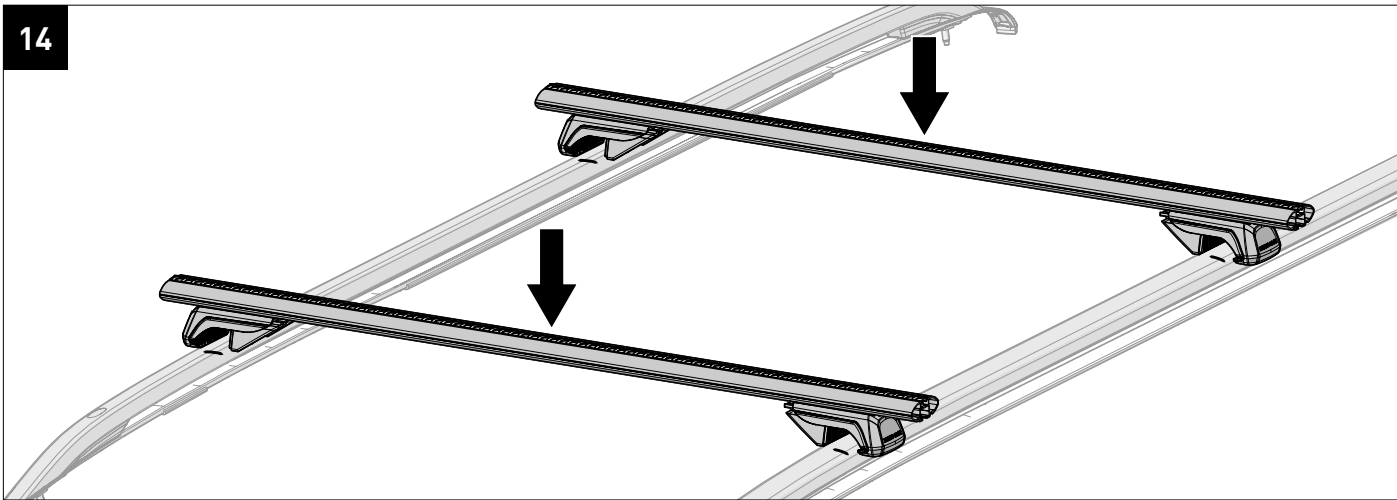
For POST 2022 Vehicles:
 Refer to Fit Sheet for underbar strip dimensions and cut to size

rhinorack.com/roof

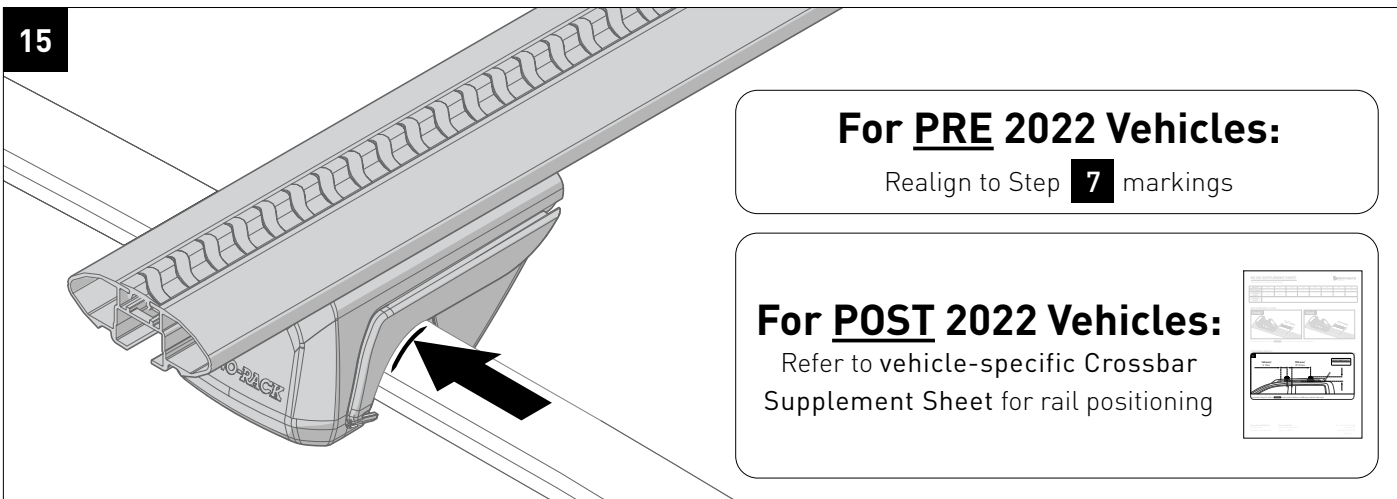
For PRE 2022 Vehicles:
 Measure with **T1** and cut underbar strips



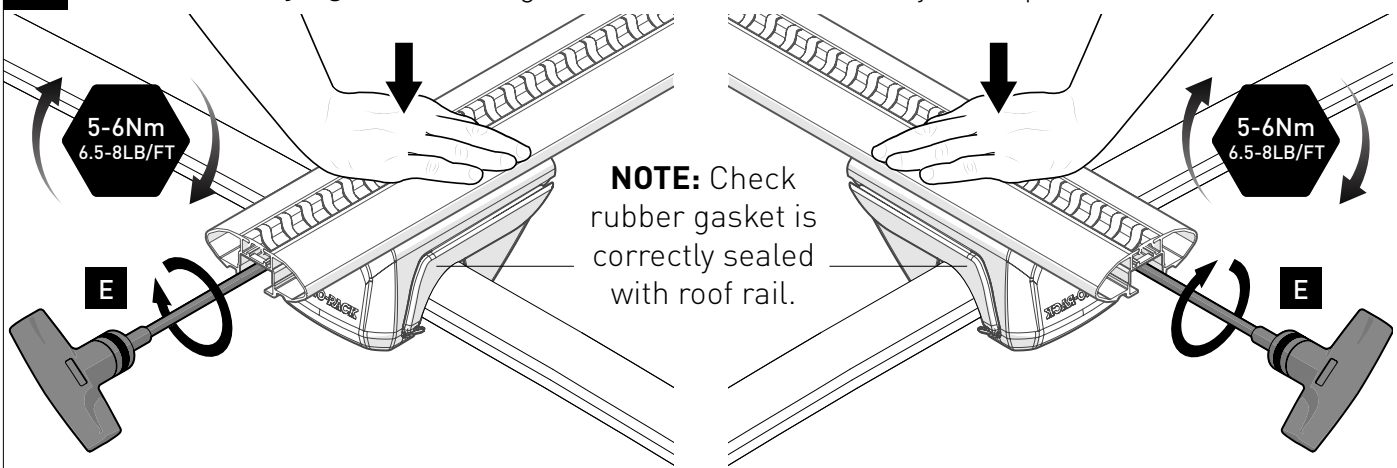
14



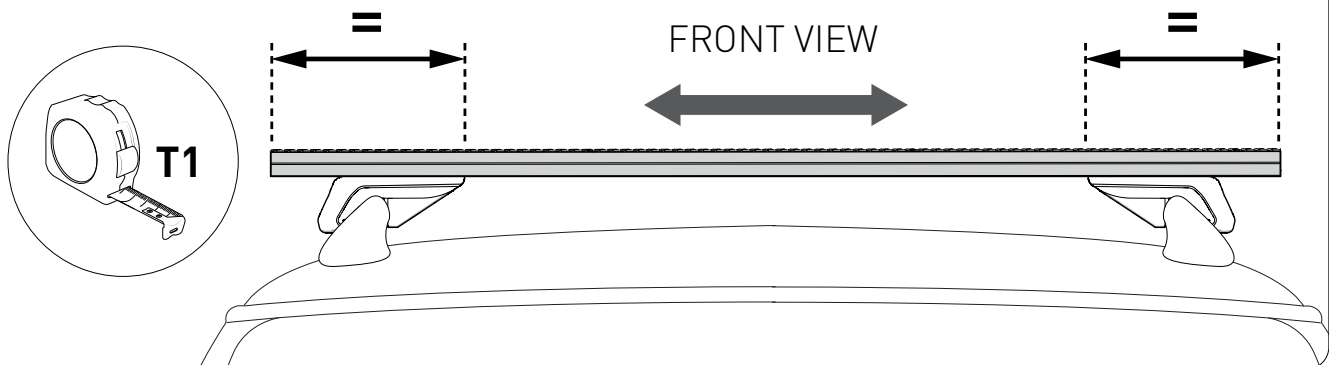
15

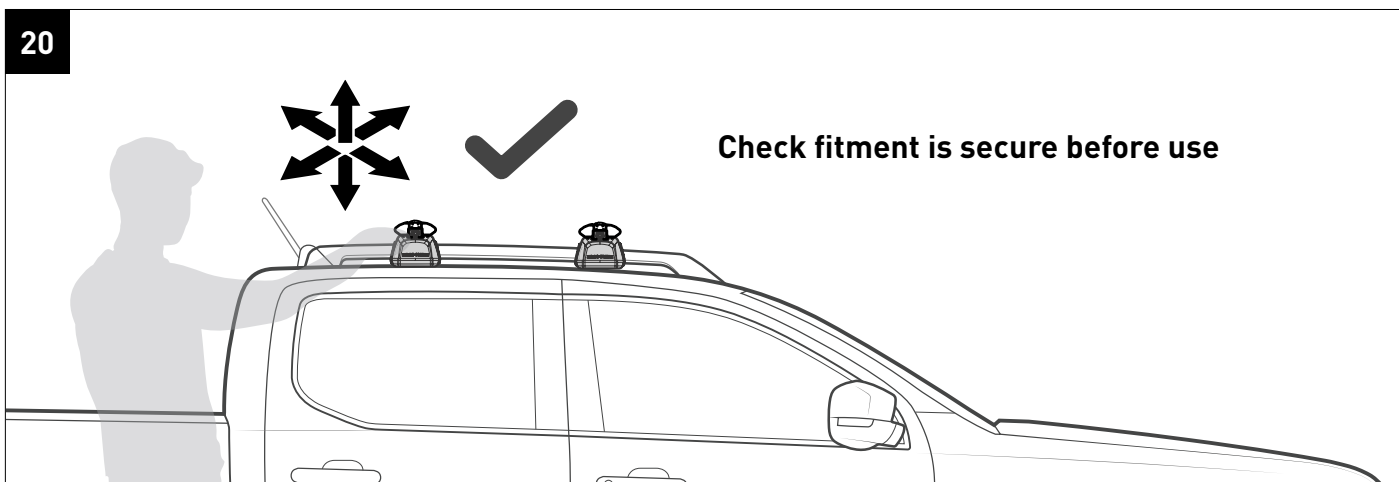
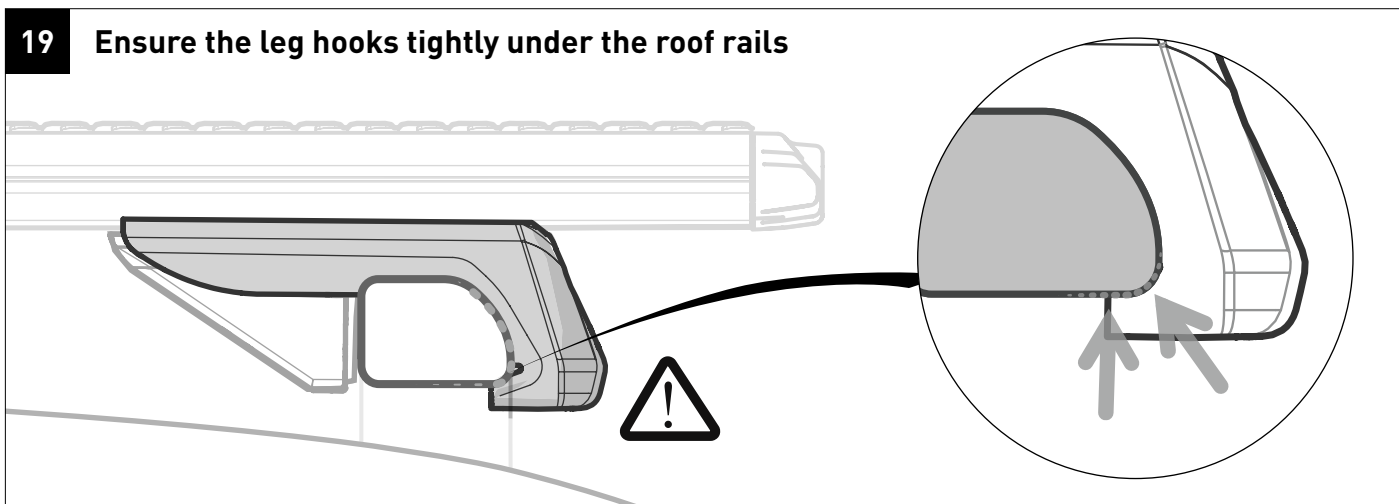
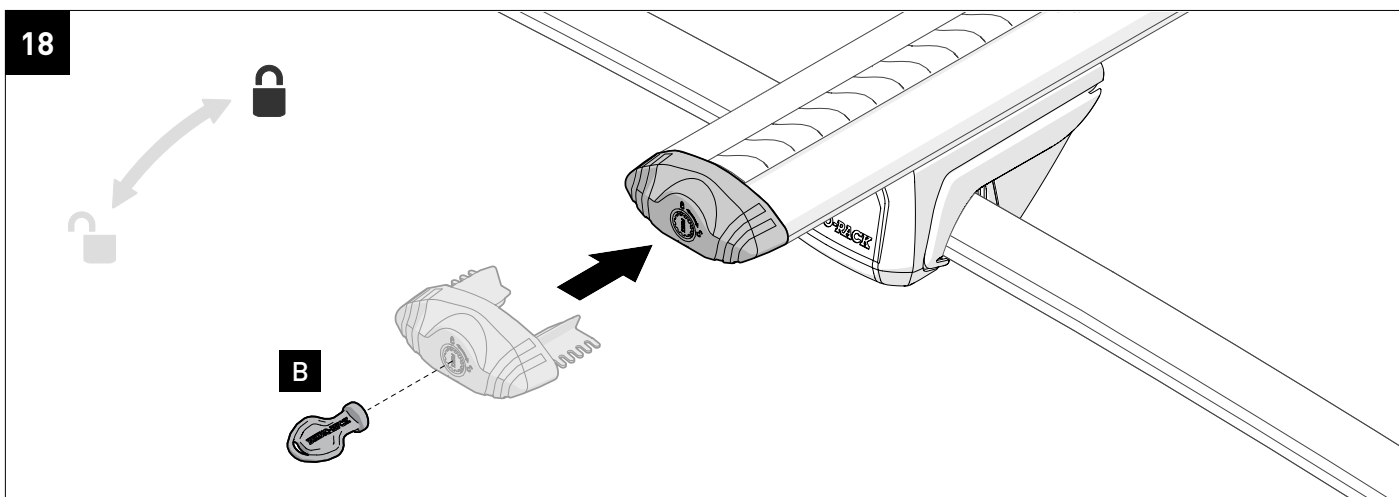
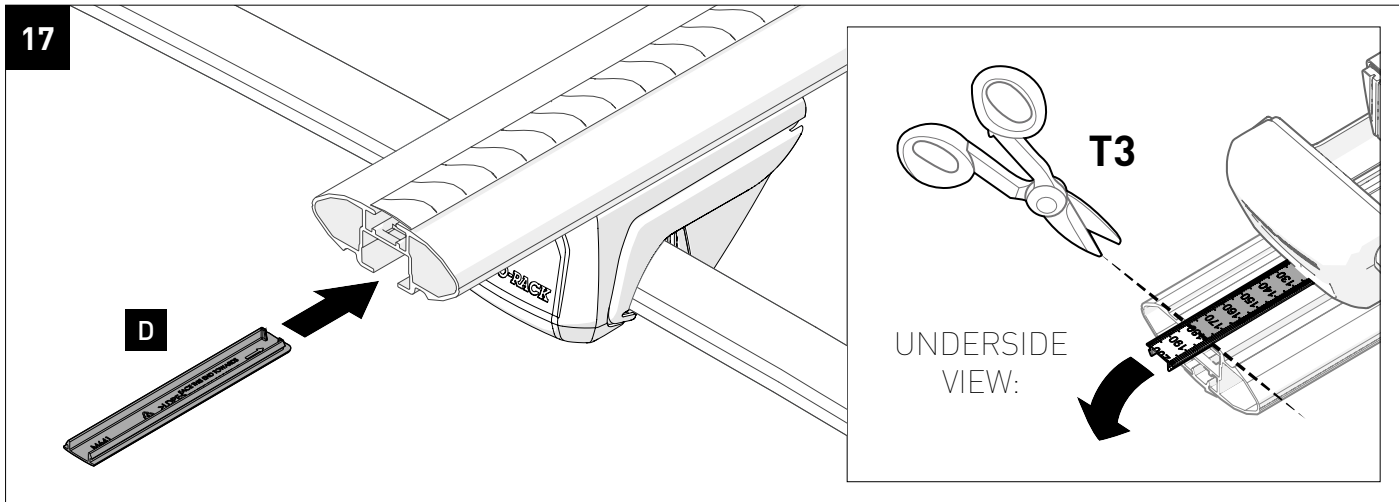


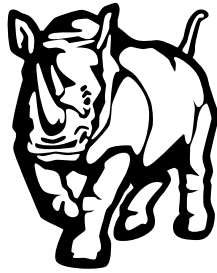
16 **Incrementally tighten** each leg so that crossbars are firmly set in position.



While incrementally tightening legs, check bar overhang is still equidistant







RHINO-RACK®

MAKE SPACE FOR ADVENTURE

RHINORACK.COM

Rhino-Rack AUSTRALIA

22A Hanson Pl,
Eastern Creek, NSW, 2766

Rhino-Rack USA

19822 East 22nd Ave,
Aurora, CO, 80011