

1KG ABE FIRE EXTINGUISHER

Suitable for use in:

Vehicles

Boat & Caravans



Quell® Fire Extinguishers

Quell's range of fire extinguishers provide a range of solutions for the home or industrial premises. Each Quell branded fire extinguisher is Australian Standard certified and comes with a 5 year warranty. Shopping for a fire extinguisher has never been easier with Quell's colour coding system, neatly categorising the range so that you know you are choosing the right product for the right application.

Product Specifications

Model Number	Q127416
Type	DCP (Stored pressure)
Capacity	1.0kg (Tol: ±5%)
Contents	ABE40 Powder
Rating	1A:10B:E
Test Pressure	2 MPa
Operating Pressure	1000 kPa
Nominal Mass	1.70 kg
Discharge Time	8 - 11s
Nozzle Orifice	3.5 mm
Service Temperature	-5°C to 65°C
APN Number	9315546618932
TUN Outer	29315546618936

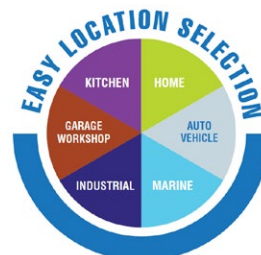
NOTE: Nominal mass and discharge times listed are approximate. Slight variations may occur.

Features and Benefits

The Quell® 1.0kg ABE dry chemical extinguisher features:

- Australian Standard certified to AS1841.5
- Mild steel polyester powder coated handle and trigger
- Mild steel polyester powder coated cylinder
- ABE (mono-ammonium phosphate) dry chemical powder.
- Rated for use on Class A, Class B and Class E fires.
- Ready for use pressure indicator
- Forged brass valve
- Heavy duty metal bracket for use in vehicles including vans, utilities and 4-wheel drives

Product suitability



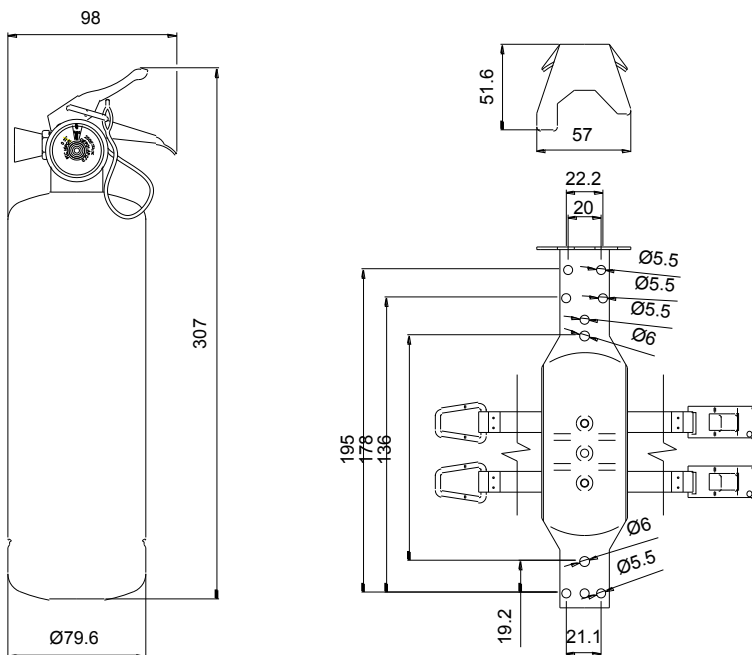
1KG ABE FIRE EXTINGUISHER

Compatibility Chart

Which Fire Extinguisher do I use for which fire?						
Kitchen / Garage 1kg 10B:E	✘	✘	-	-	-	✘
Home / Vehicle / Marine 1kg 1A:10B:E	✘	-	✘	✘	✘	✘
Auto / Marine 1kg 1A:10B:E	✘	-	✘	✘	✘	✘
Home / Garage / Workshop 1.5kg 2A:30B:E	✘	-	✘	✘	✘	✘
Home / Garage / Workshop 2.3kg 2A:40B:E	✘	-	✘	✘	✘	✘
Industrial 4.5kg 4A:60B:E	✘	-	✘	✘	✘	✘
Heavy Industrial 9.0kg 6A:80B:E	✘	-	✘	✘	✘	✘



Product Dimensions



Service Requirements

Service in accordance with Australian Standard AS1851.

Additional AS1851 Service Requirements:

- Replace Dry Chemical Powder every five (5) years
- The recommended location for stamping the cylinder pressure test date is on the neck ring of the cylinder, consisting of figures not less than 3mm in height and shall as a minimum be of the form MM/YY, or MM/YYYY.



Contact

For further information on Quell® smoke alarms, or other products in the Quell® range visit our website at www.quell.com.au or phone **1800 654 435**