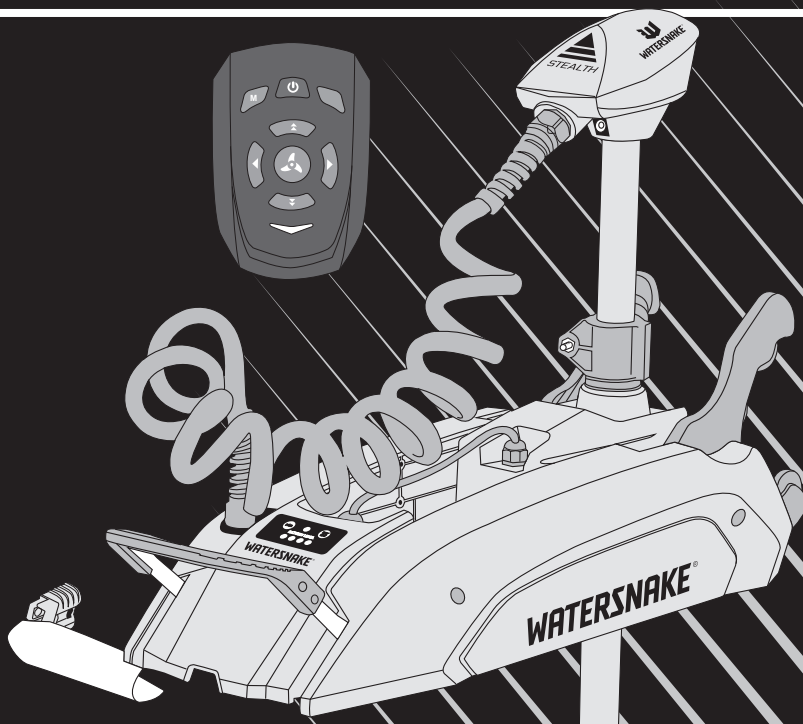




STEALTH

BOW MOUNT ELECTRIC MOTOR

OWNERS MANUAL



STEALTH 54LB/48" (55319)

STEALTH 65LB/54" (55318)



BEFORE YOU BEGIN:

Trolling motors are high-current devices that require an ideal power supply.

Follow these steps to avoid problems:

1

**12V DEEP CYCLE
OR LIFEPO4
BATTERIES ONLY**

MORE INFO ON PAGE 17

2

**EXTENDING THE
BATTERY CABLES?**

IMPORTANT INFO ON PAGE 18

3

SUGGESTED BATTERY SIZE:

**MOTOR SIZE
54LB - 80LB
BATTERY SIZE
100AH OR LARGER**

WELCOME TO WATERSNAKE

Congratulations and welcome to a world of silent motoring.

Powerful yet silent, the Watersnake electric motors are built to suit all angling conditions. High quality materials, superior design and precision engineering make these motors longwearing and reliable.

IMPORTANT

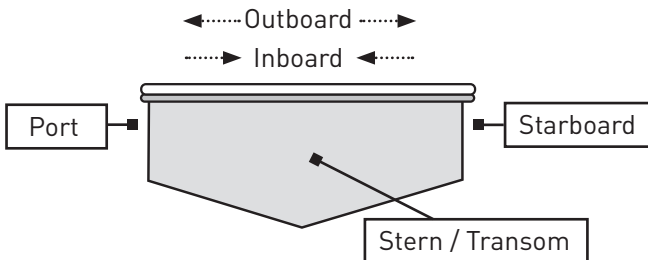
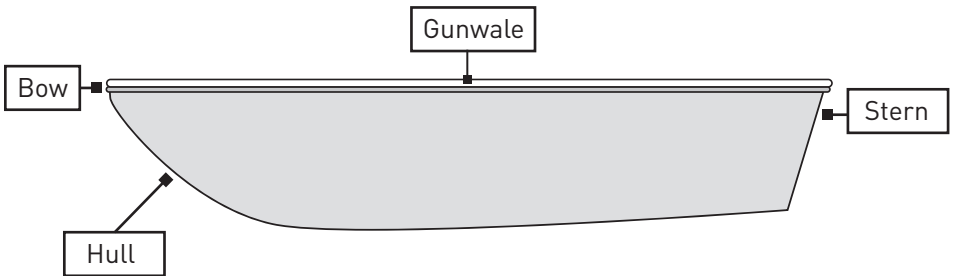
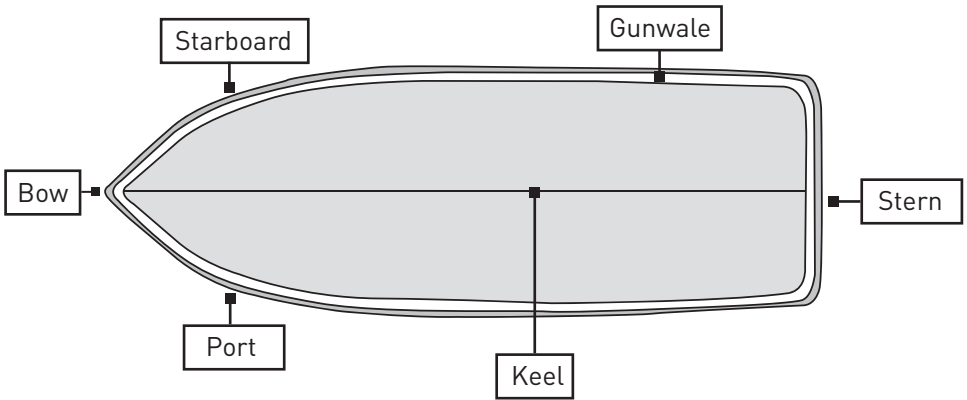
Please read this manual completely before starting installation and using the electric motor.

Disclaimer: The information provided in this Watersnake Motor Manual is correct at time of printing. For the most up to date information, check for the latest version on our website at:
www.watersnake.com.au/pages/watersnake-user-manuals

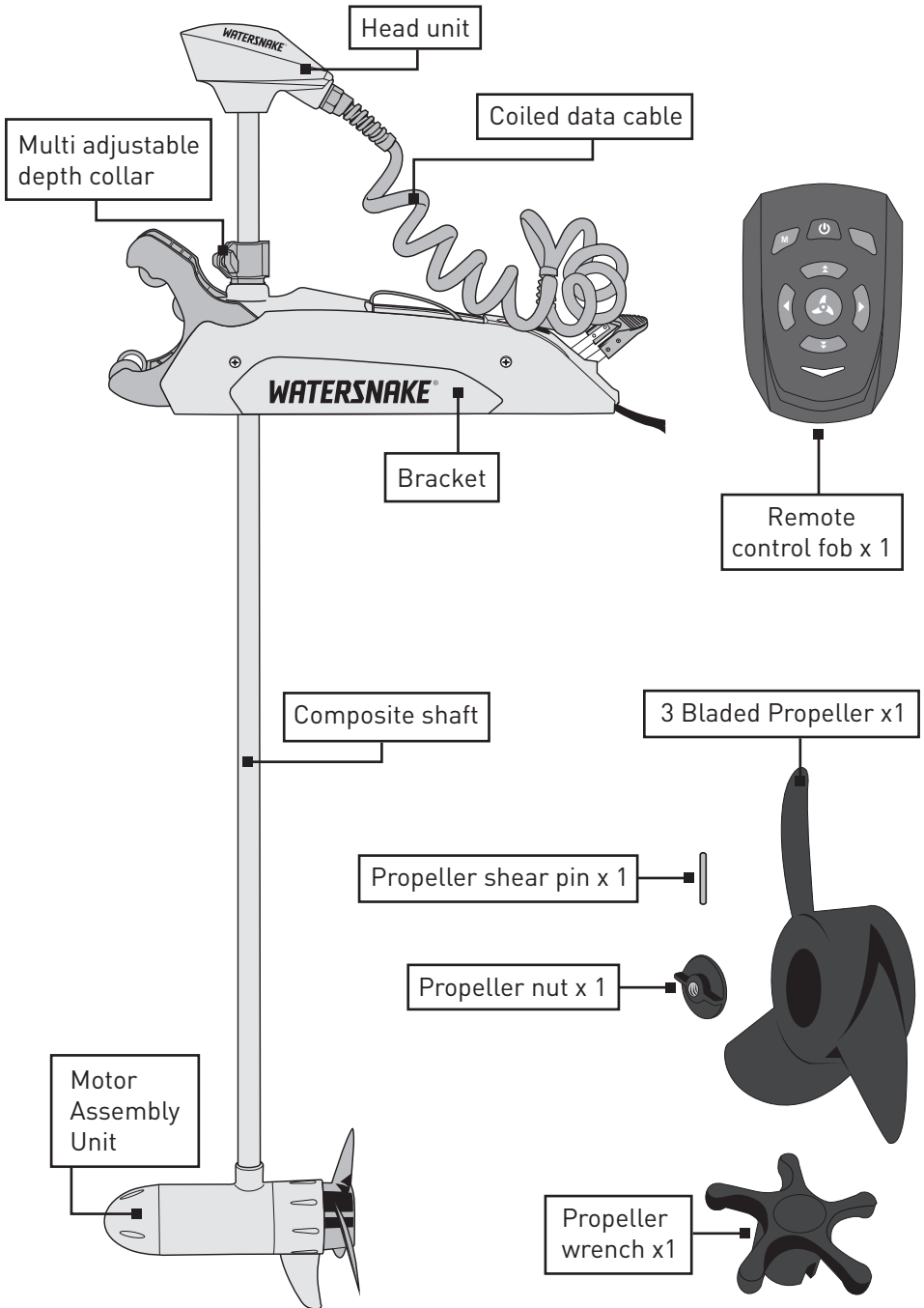
CONTENTS

KNOW YOUR BOAT	4
FEATURES AND BOX CONTENTS	5
INSTALLING THE MOTOR	
Pre-installation checklist	6
Installation direct mount	9
Installation with optional quick release brackets	11-16
BATTERY AND POWER	17
EXTENDING BATTERY LEADS	18
BATTERY CHARGING	18
CONNECTING YOUR MOTOR TO THE BATTERY	19
PRE-USE CHECKLIST	19
ATTACHING THE PROPELLER	20
DEPLOYMENT INSTRUCTIONS	21-23
STOWING INSTRUCTIONS	24-26
REMOTE CONTROLLER	27
INITIAL POWER UP	28-29
HOW TO PAIR THE REMOTE CONTROL TO THE MOTOR	30
REPLACING THE BATTERIES ON YOUR REMOTE CONTROL	31
FOOT PEDAL CONTROL (OPTIONAL ACCESSORY)	32
RECOMMENDATIONS	33
MAINTENANCE	34
TROUBLESHOOTING	35-36
SERVICING	37
SPECIFICATION CHARTS	38-39
SCHEMATICS AND PARTS LISTS	40-47
OPTIONAL ACCESSORIES	48

KNOW YOUR BOAT



FEATURES AND BOX CONTENTS



PRE INSTALLATION CHECKLIST

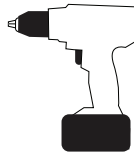
- Familiarise yourself with this user manual and the various parts of your Watersnake motor, labelled in the illustrations.
- Select desired mounting location on boat.
- 12v deep cycle or LiFePO₄ battery (your Watersnake motor is not designed for use with car / truck / motorcycle or marine cranking batteries) – for more information about appropriate batteries for your Watersnake motor, refer to page 17.
- Check battery cable length in relation to location of your 12v deep cycle or LiFePO₄ battery. If extension to battery cable is required, refer to table on page 18.

PLEASE NOTE:

Your Watersnake motor does not come supplied with any mounting hardware. Mounting hardware is only included with the optional Watersnake quick release nylon or alloy brackets. See page 10 for mounting hardware.

FITTING THE MOTOR TO THE BOAT TOOLS REQUIRED

- Power drill
- 6mm drill bit
- Phillips head screwdriver
- Hex key, 5mm
(for optional quick release plate mounting)
- 10mm spanner/shifter
- Prop nut wrench (supplied)
- Marine grease
- Duralac or similar product



Power Drill



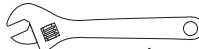
Drill Bit



Phillips Head Screwdriver



Hex Key



Spanner/ Shifter



Prop Nut Wrench



Marine Grease

THE BELOW INFORMATION IS FOR THE USA ONLY.



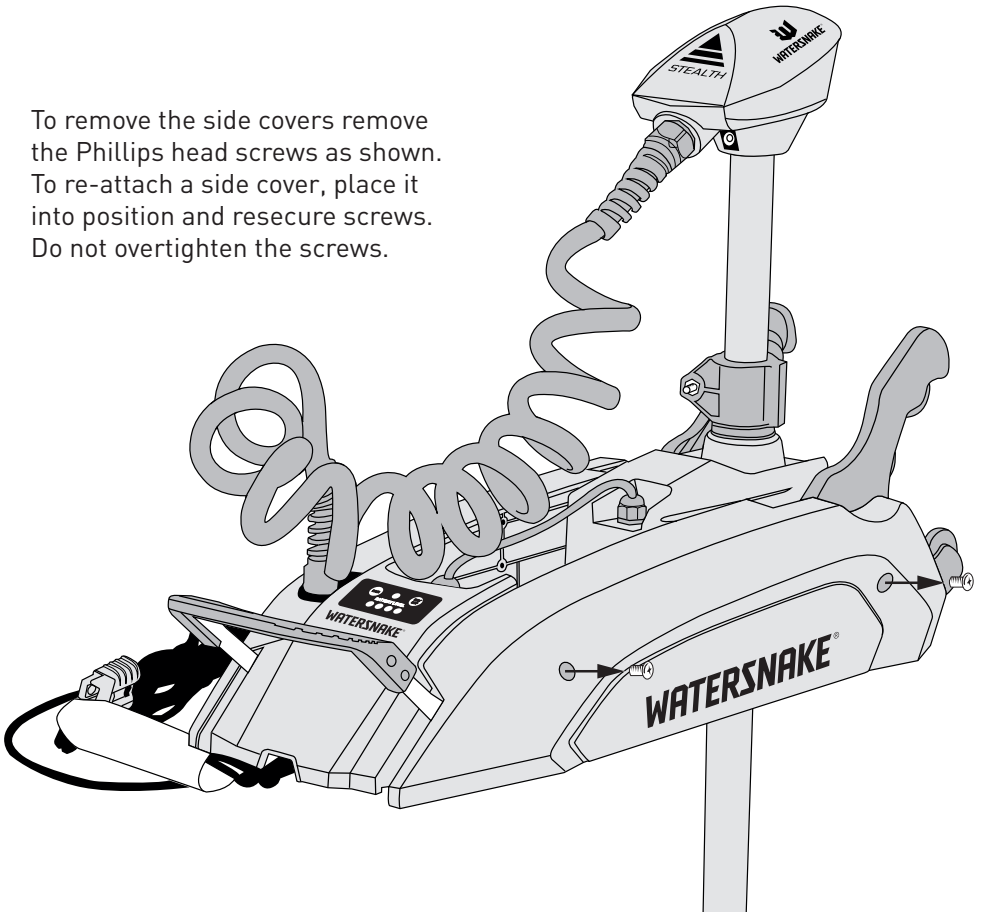
WARNING: This product can expose you to chemicals including Lead and Lead Compounds, which is known to the state of California to cause Cancer, Birth Defects or other reproductive harm. For more information, go to www.P65Warnings.ca.gov.

INSTALLATION

REMOVE SIDE COVERS TO EXPOSE MOUNTING PLATE.

After the motor is mounted, replace covers.

To remove the side covers remove the Phillips head screws as shown. To re-attach a side cover, place it into position and resecure screws. Do not overtighten the screws.



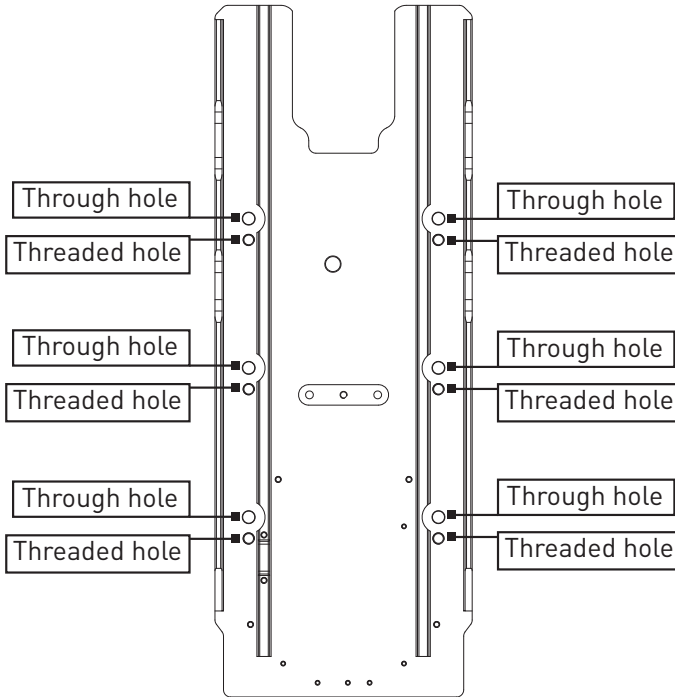
PLEASE NOTE:

Watersnake accepts no liability for personal injury or property damage caused while fitting this motor. Please wear appropriate protective clothing and eyewear/face protection. Avoid contacting and/or inhaling fibreglass dust or aluminium shavings.

BOLT HOLE POSITIONS

MOUNTING PLATE BOLT HOLE POSITIONAL.

There are pre threaded holes for easy installation of the optional Watersnake quick release nylon or alloy brackets.



THERE ARE THREE WAYS TO ATTACH YOUR MOTOR TO YOUR BOAT:

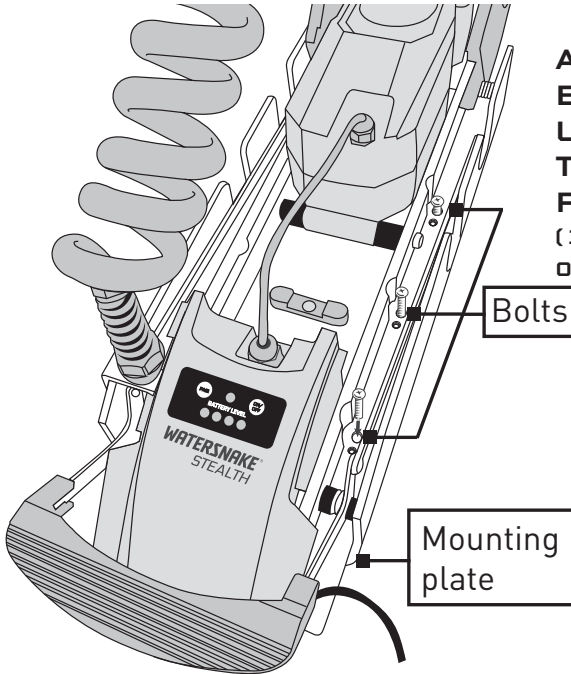
- Option 1** - Direct installation of the motor to your boat without a quick release bracket. (Page 9-10)
- Option 2** - Installation of the motor to you boat with an optional nylon quick release bracket. (Page 11-13)
- Option 3** - Installation of the motor to you boat with an optional alloy quick release bracket. (Page 14-16)

PLEASE NOTE:

Option 2 and 3 is the preferred method for mounting the Stealth motor. It allows for quick and easy dismounting and remounting of the motor. Watersnake has two alternate Quick Release Brackets available and these are outlined on pages 11-16 of this manual. Watersnake Quick Release Brackets are readily available at stockists of electric trolling motors or online.

INSTALLATION

OPTION 1 (DIRECT INSTALLATION) FIT BOLTS DOWN THROUGH MOUNTING PLATE AND FOREDECK.



**A TOTAL OF SIX
BOLTS NEED TO BE
USED TO SECURE
THE MOUNTING
PLATE.
(3 BOLTS ON EACH SIDE
OF THE MOUNTING PLATE)**

Use 6mm or 1/4" bolts, washers and nylon locking nuts. All fasteners should be made of 316-grade stainless steel.

PLEASE NOTE:

The threaded holes on the mounting plate make adding a quick release bracket easier. You can use either hole but if you choose to use the threaded holes it is recommended that you use threadlocker on the bolt threads during installation.

PLEASE NOTE:

Your Watersnake motor does not come supplied with any mounting hardware. Mounting hardware is only included with the optional Watersnake quick release brackets

PLEASE NOTE:

Watersnake accepts no liability for personal injury or property damage caused while fitting this motor. Please wear appropriate protective clothing and eyewear/face protection. Avoid contacting and/or inhaling fibreglass dust or aluminium shavings.

INSTALLATION

OPTION 1

ATTACHING THE MOTOR DIRECTLY TO YOUR BOAT WITHOUT THE OPTIONAL QUICK RELEASE BRACKET

Before beginning the process of attaching the motor to your boat please ensure the entire Watersnake mount assembly must be mounted in a level, horizontal position as close to the boat's centreline as possible. The Watersnake motor does not necessarily need to face directly forward. On slightly curved decks, spacer washers or blocks must be used to ensure level mounting of the motor base. In some cases it may be necessary to fabricate a mounting plinth from alloy or fibreglass to provide a level location. If you are unsure please consult a marine technician or fabricator.

Use 6mm or 1/4" bolts, washers and nylon locking nuts. All fasteners should be of 316-grade stainless steel. On aluminium boats, use thin rubber washers, gasket material or a film of neutral-cure marine silicone to limit bolt contact with alloy to reduce electrolysis.

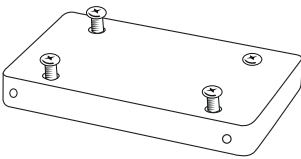
1. "Dry fit" to determine the most suitable position on the boat. Choose a site that offers the least exposure to heavy spray or chance of immersion, especially of the head unit and rear of base mount assembly.
2. Remove side covers from the base mount to reveal the twelve mounting holes. At least four must be fastened to the boat deck with approved bolts, washers and nuts.
3. With motor in stowed position, check that no part of the entire assembly, including the shaft and head unit, is obstructed by any part of the boat, eg, rails, seats, opening hatches, etc. Check that no part of boat impedes full deployment of motor.
4. Check with the motor in a deployed position that the Watersnake shaft does not come into contact with any part of the hull. Allow at least 30mm clearance from boat gunwale.
5. Check with the motor in a deployed position that the propeller and lower unit do not contact any part of the hull through complete 360° rotation.
6. Mark potential mounting holes in lower deck. Check that all holes allow access below deck for protruding bolt, washers and spanner. Mark and drill holes.
7. Fit at least four bolts down through motor mounting plate and through foredeck. Fit the washers and nylon locking nuts from below. Do not overtighten.
8. Apply a light smear of marine grease to pivot points on lock/release lever and turnbox pivot points. Replace the side covers.

INSTALLATION

OPTION 2 - (NYLON QUICK RELEASE BRACKET) ATTACHING THE MOTOR TO YOUR BOAT USING THE OPTIONAL NYLON QUICK RELEASE BRACKET

Before beginning the process of attaching the motor to your boat, please ensure the entire Watersnake mount assembly, including the optional quick-release plate, must be mounted in a level, horizontal position as close to the boat's centreline as possible. The Watersnake motor and quick-release plate do not necessarily need to face directly forward. On slightly curved decks, spacer washers or blocks must be used to ensure level mounting of the motor base and/or lower quick-release plate. In some cases it may be necessary to fabricate a mounting plinth from alloy or fibreglass to provide a level location. If you are unsure please consult your marine technician.

1. QUICK RELEASE BOTTOM PLATE INSTALLATION



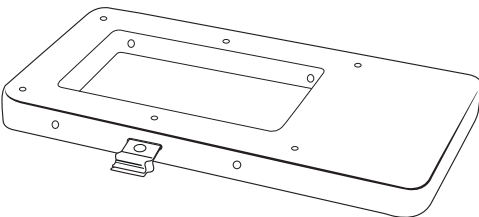
Attach the Quick Release Bottom Plate to the bow of the boat, taking care to ensure it is on the centreline of the boat and placed forward enough so that when the motor is attached the shaft of the motor is not making contact with the boats gunwale rubber. With the plate in position, mark the holes for drilling, ensuring as you do that the bow area below

the mounting location is clear and accessible.

Attach the Quick Release Bottom Plate to the bow using the stainless steel bolts, nuts and washers provided. It is important when doing this work that the boat is level.

2. QUICK RELEASE TOP PLATE INSTALLATION

Remove the side covers from the motor mount. Using the bolts washers and nuts provided, attach the Quick Release Top Plate to the motor mounting plate. The foot print of the Top Plate includes several pre-drilled holes to suit a variety of motor types.



PLEASE NOTE:

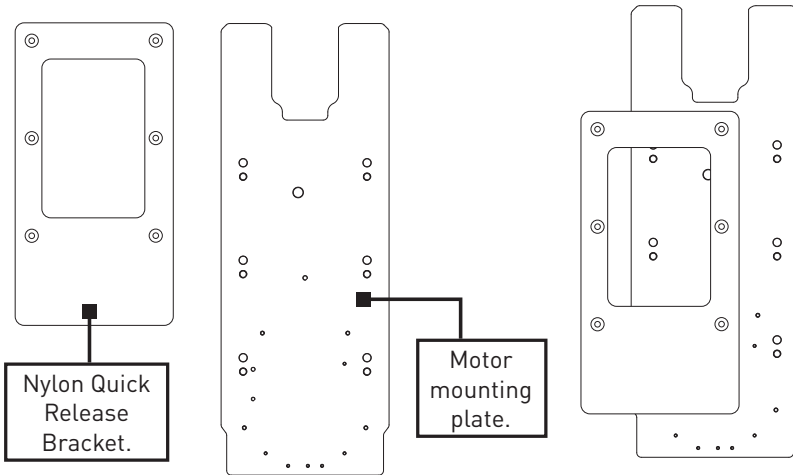
If you choose to attach the Quick Release Top Plate to the motor Mounting Plate using the threaded holes in the motor Mounting Plate you will not require the nuts for the bolts. It is recommended to use a threadlocker on the bolts to stop the bolts from loosening over time. **See page 12 for instructions.**

INSTALLATION

INSTALLING THE NYLON QUICK RELEASE BRACKET TO THE THREADED HOLES IN THE MOTOR MOUNTING PLATE.

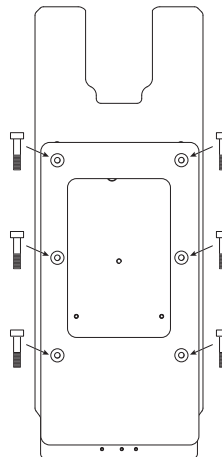
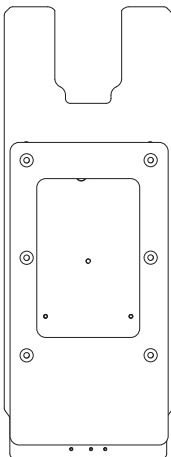
1. Turn Motor over to access the bottom of the motor mounting plate.

2. Position the Nylon Quick Release Bracket onto the motor mounting plate.



3. Align the Nylon Quick Release Brackets holes with the threaded holes in the motor mounting plate.

4. Place bolts through Nylon Quick Release Bracket holes and tighten Bolts into the threaded holes in the motor mounting plate.



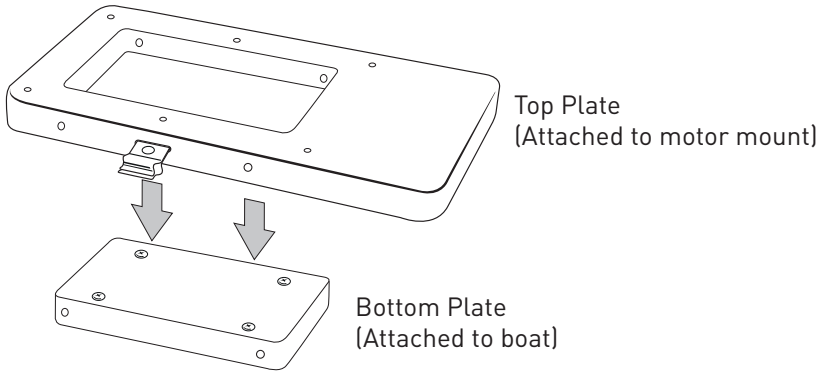
IMPORTANT TIP:

Coat your bolt shaft with Duralac or a similar product to prevent corrosion. (Including the threads)

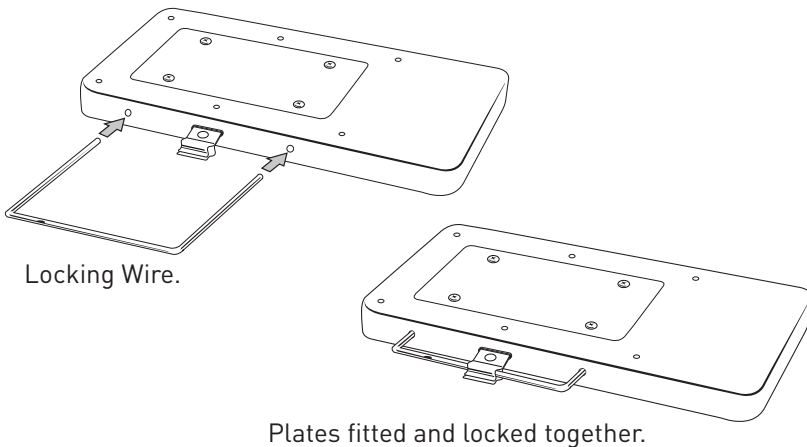
Alternatively you could coat the bolts and threads with a threadlocker to help prevent corrosion and them loosening over time.

INSTALLATION

3. Position the motor bracket with the Quick Release Top Plate on top of the Bottom Plate, which you have mounted to the boat in step 1.



4. To lock both plates together, push the steel Locking Wire all the way into the holes shown here, so the Wire becomes secured by the metal clasp.



NOTE: A padlock can be used on the metal clasp of the quick release bracket to lock your motor to your boat.

PLEASE NOTE:

Watersnake accepts no liability for personal injury or property damage caused while fitting this motor. Please wear appropriate protective clothing and eyewear/face protection. Avoid contacting and/or inhaling fibreglass dust or aluminium shavings.

INSTALLATION

OPTION 3 - (ALLOY QUICK RELEASE BRACKET) ATTACHING THE MOTOR TO YOUR BOAT USING THE OPTIONAL ALLOY QUICK RELEASE BRACKET

Before beginning the process of attaching the motor to your boat please ensure the entire Watersnake mount assembly, including the optional quick-release plate, must be mounted in a level, horizontal position as close to the boat's centreline as possible. The Watersnake motor and quick-release plate do not necessarily need to face directly forward. On slightly curved decks, spacer washers or blocks must be used to ensure level mounting of the motor base and/or lower quick-release plate. In some cases it may be necessary to fabricate a mounting plinth from alloy or fibreglass to provide a level location. If you are unsure please consult your marine technician.

INSTALLATION (SEE PAGE 16 FOR DIAGRAM)

The bracket consists of two plates, top and bottom. Use the six screws (no.3) and washers (no.5) provided to attach the top plate (no.1) to the bottom of your bow mount motor and secure with locknuts (no.4). Use the screws (no.7) provided to fix the bottom plate to the bow section of your boat.

PLEASE NOTE:

If you choose to attach the Quick Release Top Plate to the motor Mounting Plate using the threaded holes in the motor Mounting Plate you will not require the nuts for the bolts. It is recommended to use a threadlocker on the bolts to stop the bolts from loosening over time. See page 15.

ATTACHING THE MOTOR TO YOUR BOAT

Rotate the latch (no.8) on the top plate counter clockwise until it stops. Place the top plate (no.1) onto bottom plate (no.6) the two plates will fit into one another. Turn the latch (no.8) clockwise until tight to lock the two plates in place. Seat the latch (no.8) over the top of the shackle (no.9). A padlock can be passed through the shackle (no.9) to secure your motor.

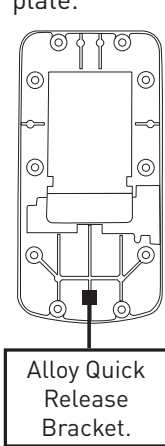
REMOVING THE MOTOR FROM YOUR BOAT

Rotate the latch (no.8) counter-clockwise until tight. Slide the motor and lift to remove.

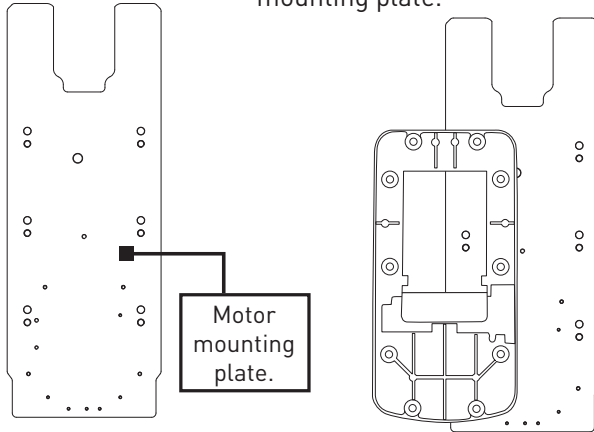
INSTALLATION

INSTALLING THE ALLOY QUICK RELEASE BRACKET WITH THE THREADED HOLES IN THE MOTOR MOUNTING PLATE.

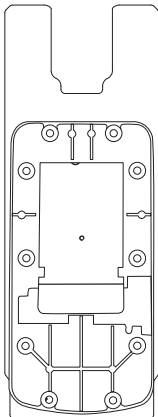
- 1.** Turn Motor over to access the bottom of the motor mounting plate.



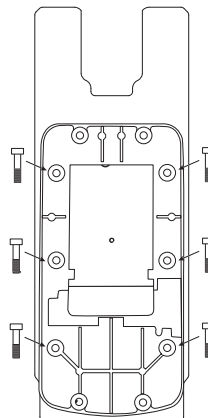
- 2.** Position the Alloy Quick Release Bracket onto the motor mounting plate.



- 3.** Align the Alloy Quick Release Bracket's holes with the threaded holes in the motor mounting plate.



- 4.** Place bolts through Alloy Quick Release Bracket holes and tighten Bolts into the threaded holes in the motor mounting plate.



IMPORTANT TIP:

Coat your bolt shaft with Duralac or a similar product to prevent corrosion. (Including the threads)

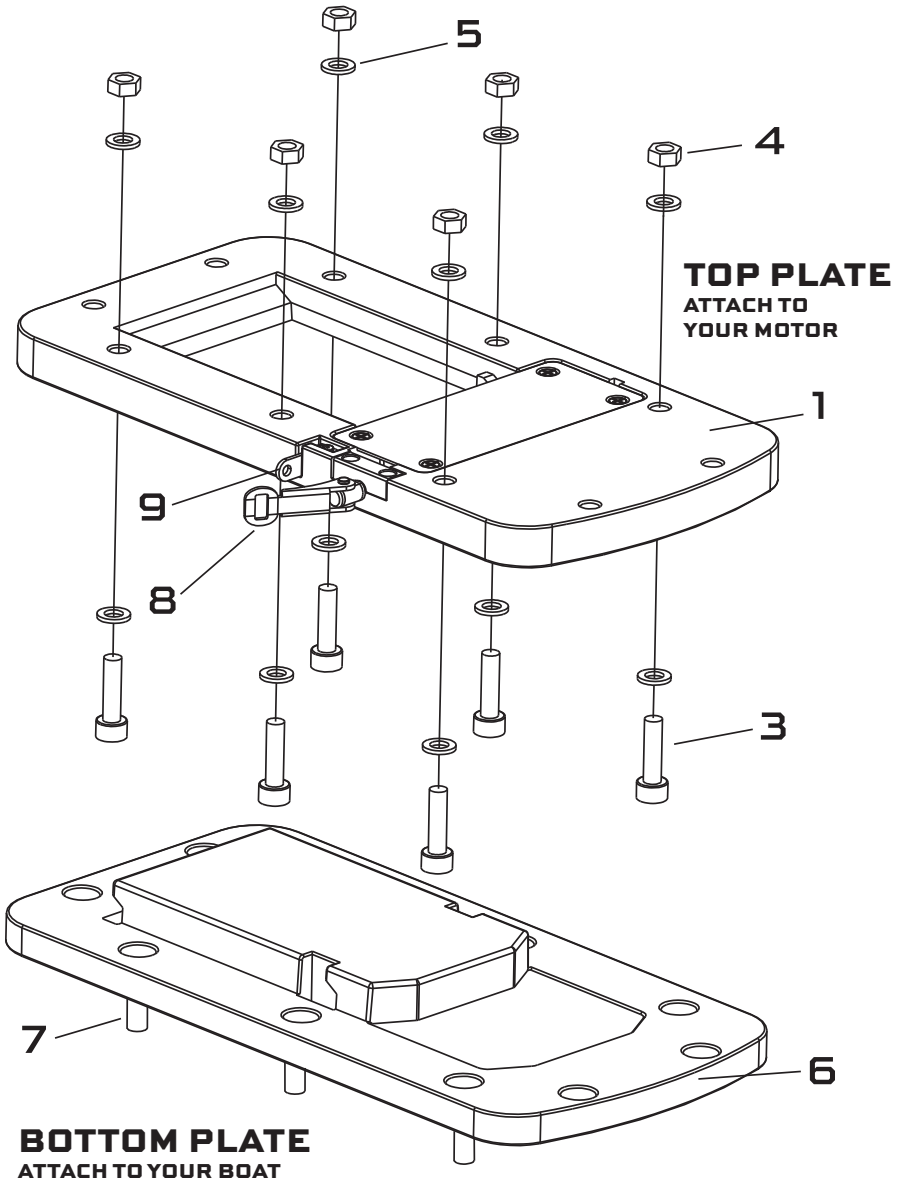
Alternatively you could coat the bolts and threads with a threadlocker to help prevent corrosion and them loosening over time.

PLEASE NOTE:

Watersnake accepts no liability for personal injury or property damage caused while fitting this motor. Please wear appropriate protective clothing and eyewear/face protection. Avoid contacting and/or inhaling fibreglass dust or aluminium shavings.

INSTALLATION

OPTIONAL ALLOY QUICK-RELEASE BRACKET



BATTERY AND POWER



CAUTION: Please read the following information before you connect your electric motor to your battery.

BEST PRACTICES

INSTALLING AND CONNECTING YOUR STEALTH MOTOR

1. Your Watersnake motor is designed to be powered by a 12v deep cycle or LifePO4 battery that should output no more than 14.5v. If the voltage input to your Watersnake motor exceeds 14.5v it may damage the sensitive electronics and void your warranty.
If you are unsure about the voltage output of your battery, contact your battery supplier or consult a marine auto electrician.
2. This Watersnake motor is compatible with a battery system that is being charged by an alternator or solar system, so long as the voltage input to the Watersnake motor does not exceed 14.5v whilst the battery is being charged. If you are unsure about the voltage that your motor is receiving, consult a marine auto electrician.
3. Route the wiring from the battery to the trolling motor on an alternate route or path to other wiring on the boat. If possible, it is preferable the wire is fitted to the opposite side of the boat to other wiring.
4. If you have to extend the wiring to connect the motor please review the extending battery leads section of the manual (page 18) so you fully understand this process.
5. This Stealth trolling motor does not require a circuit breaker. This motor has built in circuit protection.

BATTERY TYPE

USE A 12 VOLT DEEP CYCLE OR LIFEPO4 BATTERY

Deep-cycle batteries deliver sustained power with low current draw over extended periods. They can be drained to low levels without developing a “memory” and can be fully recharged hundreds of times over their working lives. Do not use a standard car, truck or marine battery (called a cranking battery). They are designed to provide a pulse of “cranking power” over a short period, can develop a “memory” preventing complete recharge and can produce current surges that may damage sensitive electronic components on your Watersnake.

Lithium Iron Phosphate (LiFePO4) are the safest lithium battery type. We recommend doing your research on a LiFePO4 battery before purchasing to make sure you are purchasing from a reputable company. There are many cheap lithium batteries on the market that can be harmful to your Watersnake motor.

BATTERY AND POWER

EXTENDING BATTERY LEADS

The longer your battery cable needs to be, the thicker it needs to be to avoid damaging voltage drop. The supplied cable has the correct wire gauge (thickness) for its length. But if you need to extend the length by more than 30%, you will need to replace the existing cable completely with a new longer thicker cable. This means the entire cable will be the correct wire gauge for the new length. See below to find the correct wire gauge for your motor thrust and required cable length. Only use twin-sheathed tinned cable.

Motor Model/Thrust	Max AMP Draw	Wire Extension Length / Wire Gauge For Entire Cable		
54LB	54A	1 Metre (6AWG)	1-3 Metres (6AWG)	3-5 Metres (4AWG)
65LB	50A	1 Metre (6AWG)	1-3 Metres (6AWG)	3-5 Metres (4AWG)

Note that above table is intended as a guide only. Your local electrical supplier will be able to advise in greater detail based on your particular set up and requirements.

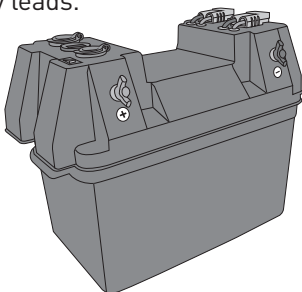
BATTERY CHARGING

You can charge your battery via an alternator or solar system, so long as the voltage input to the Watersnake motor does not exceed 14.5v whilst the battery is being charged. If you are unsure about the voltage that your motor is receiving, consult a marine auto electrician.

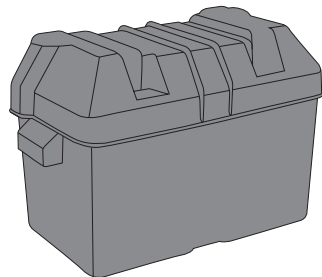
When you are off the water and are charging your battery at home for long periods of time, we recommend you disconnect the motor from the battery via the supplied Anderson plugs.

AVOID USING STORE-BOUGHT BATTERY BOXES WITH BUILT-IN CIRCUITRY

Battery Boxes use low quality electrical components that cannot handle the high current loads that trolling motors draw. We recommend connecting your Watersnake motor directly to a deep cycle or LiFePO4 battery using the provided battery leads.



**BATTERY BOX WITH
BUILT IN CIRCUITRY.
DO NOT USE!**



**SIMPLE BATTERY
BOX WITH NO
CONNECTIONS
OK TO USE!**

BATTERY AND POWER

CONNECTING YOUR MOTOR TO THE BATTERY

All Watersnake wiring connections should conform to best marine standards. Soldered, sealed and heat-shrink protected. If you doubt your ability to produce quality waterproof connections or lack the equipment, consult a marine technician or auto electrician.

- Your Watersnake comes factory-fitted with a standard length of twin flex wiring with ring terminals to attach to the battery.
- Before connecting the motor's cables to the battery terminals, ensure all switches are in the OFF position and stand clear of the propeller.
- Connect the red cable to the positive (+) terminal and the black cable to the negative (-) terminal, making sure the terminals are clean before doing so. A clean connection will minimise power wastage and give you maximum power from the battery.
- When not in use please make sure that the motor is disconnected from the battery.

USING THE MOTOR

PRE-USE CHECKLIST – CHECK BEFORE EACH USE

- Ensure that your Watersnake motor is securely attached to your boat (refer to page 7 of manual)
- Fully charged 12v deep cycle or LiFePO4 battery (your Watersnake motor is not designed to be used with a car / truck / motorcycle or marine cranking battery)
- Check battery cable for any signs of damage or exposed wiring
- Check terminals for any signs of corrosion or debris
- Check Anderson plugs are clean and corrosive free

PLEASE NOTE: Please ensure this Watersnake motor is not your only means of propulsion. Please follow the marine safety guidelines set by your state or country of use.

PROPELLER ASSEMBLY

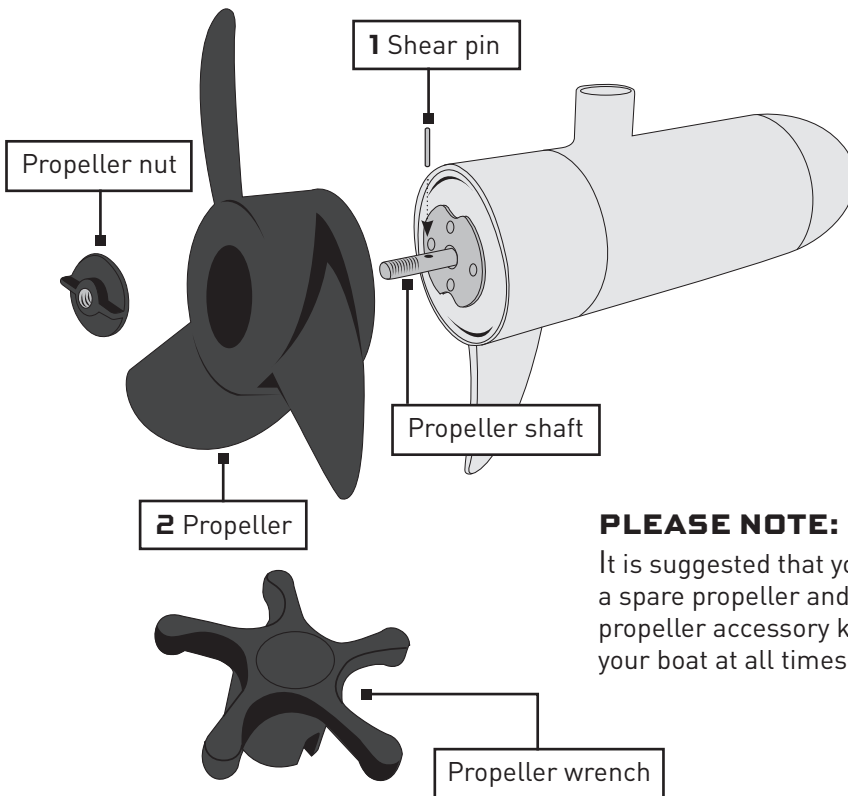
ATTACHING THE PROPELLER

IMPORTANT!

BEFORE DOING ANYTHING WITH THE PROPELLER, ENSURE THE CABLES TO THE BATTERY ARE DISCONNECTED.

1: Place shear pin in shaft as shown.

2: Align the propeller against the shear pin on the shaft (there is a groove on the back of the propeller which the shear pin needs to slot into) and then tighten the propeller nut securely using the propeller wrench. Do not overtighten; check regularly.



PLEASE NOTE:

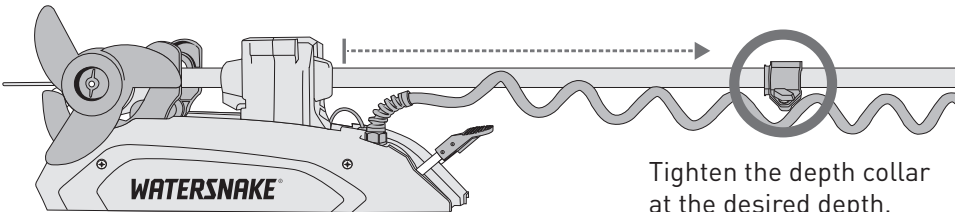
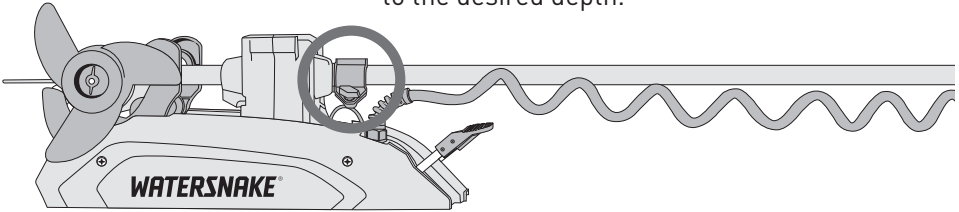
It is suggested that you have a spare propeller and propeller accessory kit in your boat at all times.

DEPLOYING INSTRUCTIONS

Failure to deploy your Watersnake as described below may damage your unit, invalidating its warranty, and could injure you and/or other people.

STEP 1:

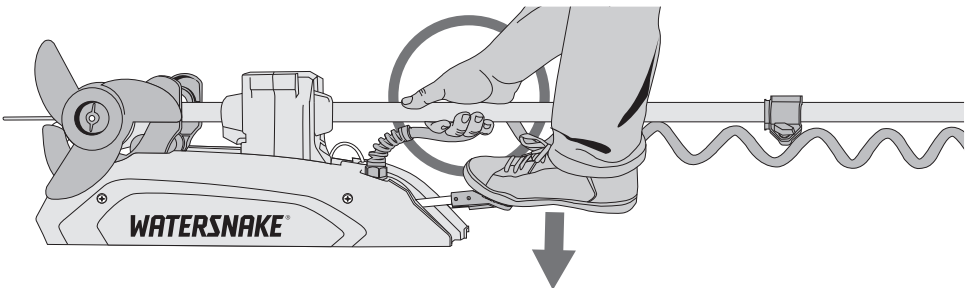
Loosen the depth collar and slide it up the shaft to the desired depth.



Tighten the depth collar at the desired depth.

STEP 2:

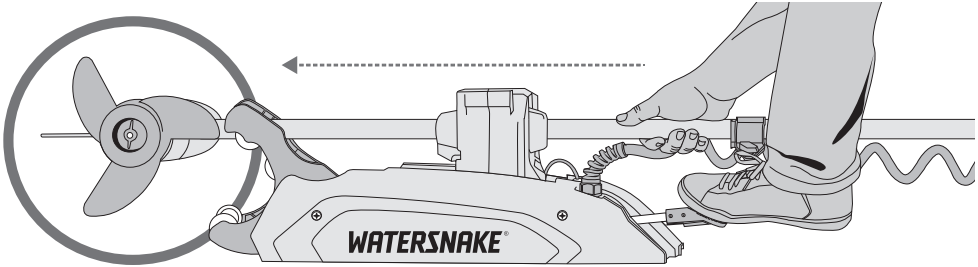
Firmly grab hold of the main shaft and gently press down with your hand or your foot onto the bracket release lever.



DEPLOYING INSTRUCTIONS

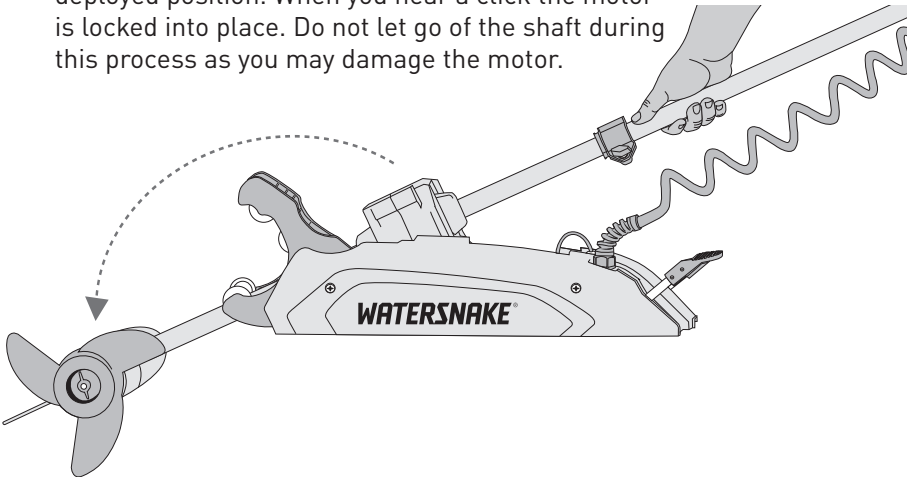
STEP 3:

when the locking clamps release, slide the shaft through the turning box unit until the lower motor unit is completely free from the locking clamps.



STEP 4:

Slowly rotate the released motor unit into the deployed position. When you hear a click the motor is locked into place. Do not let go of the shaft during this process as you may damage the motor.



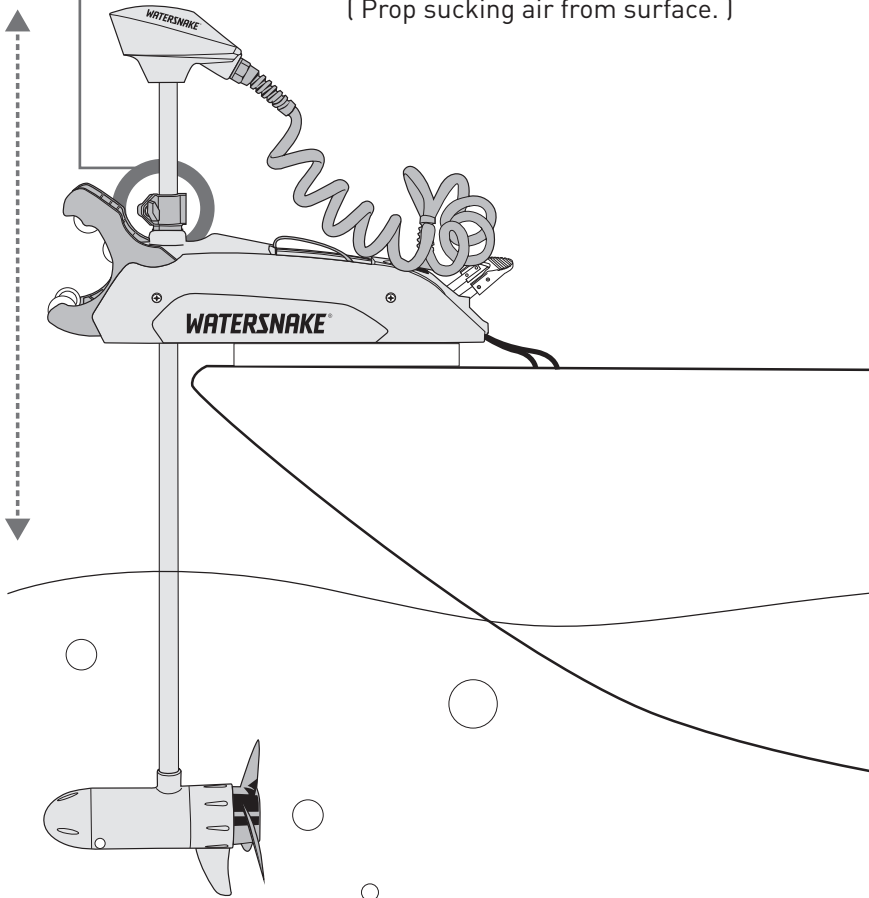
DEPLOYING INSTRUCTIONS

IMPORTANT!

Make sure the depth collar is slotted flush into the turning box.

STEP 6:

Once the motor is deployed rotate the shaft with your hand until the depth collar slots into the turning box, then adjust the height. The lower motor unit needs to be at least 30cm below the waterline to the top of the propeller, to avoid ventilation. (Prop sucking air from surface.)

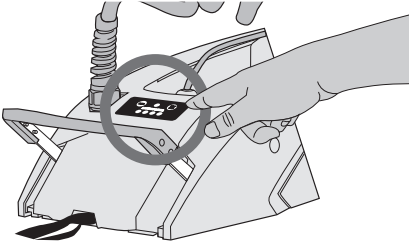


PLEASE NOTE:

Watersnake Distribution Pty Ltd accepts no liability for injury or damage caused by the incorrect deployment or stowing of this motor.

STOWING INSTRUCTIONS

Failure to stow your Watersnake as described below may damage your unit, invalidating its warranty, and could injure you and/or other people.

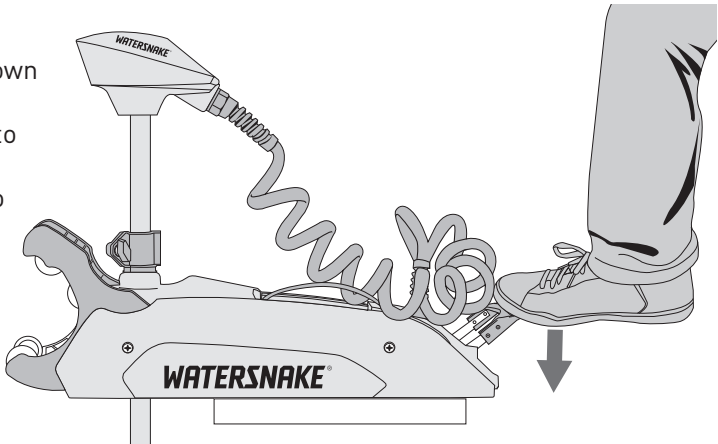


STEP 1:

Turn off the Motor using the On /Off button on the back of the motor bracket

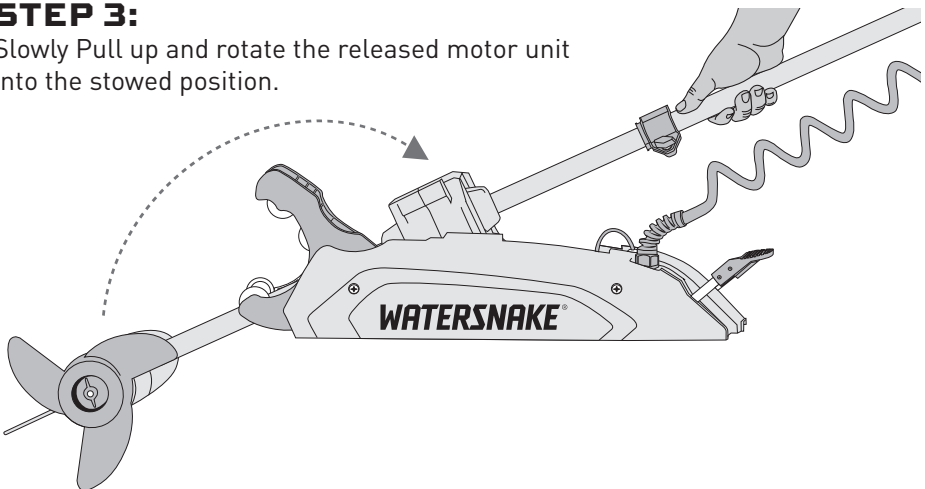
STEP 2:

Gently press down with your hand or your foot onto the bracket release lever to disengage the locking mechanism.



STEP 3:

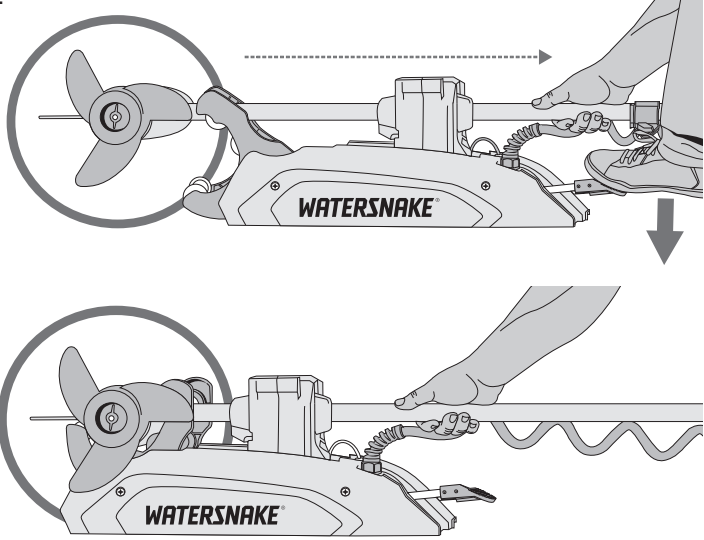
Slowly Pull up and rotate the released motor unit into the stowed position.



STOWING INSTRUCTIONS

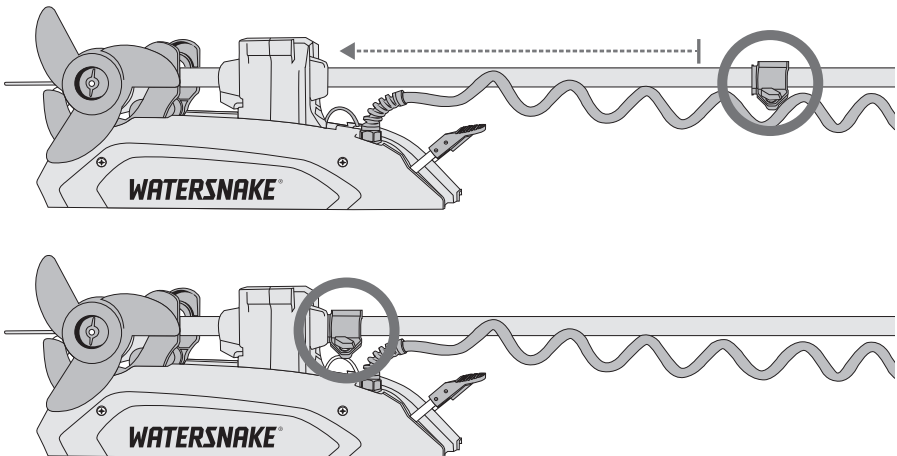
STEP 4:

Gently press down with your hand or your foot on the bracket release lever and pull the motor back into the locking clamps until you hear a click. This means the lower motor unit is now locked in place.



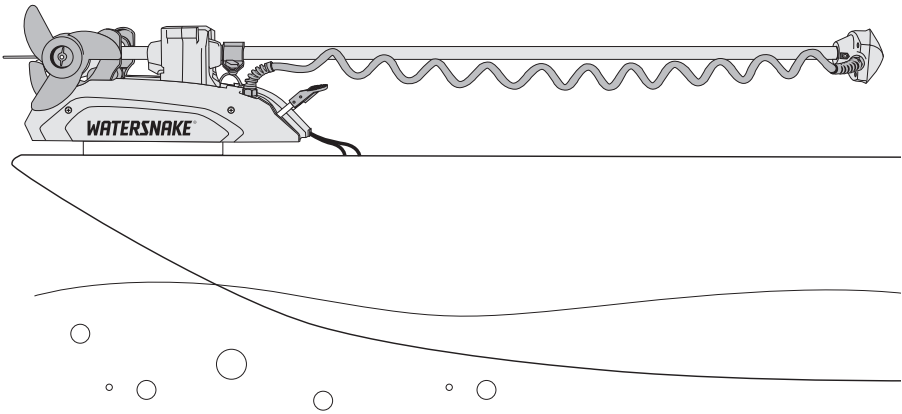
STEP 5:

Loosen the depth collar on the motor shaft and slide it so that it is flush up against the turning box unit then re-tighten it. This will prevent the motor from self deploying whilst in transit.



STOWING INSTRUCTIONS

MOTOR IN CORRECTLY STOWED POSITION



RECOMMENDATIONS:

Ensure your motor is properly stowed and secured before high-speed travel on the water or on the road. Additional support of the head unit may be required. Watersnake accepts no liability for injury or damage caused by the incorrect deployment or stowing of this motor.

For travel over long distances or over rough terrain, Watersnake recommends you remove the motor from the boat it is installed on and stow it securely in a safe and secure position with protection from bad weather.

After your boating trip deploy the motor and gently clean it of any contaminants with a sponge or rag. Do not spray the motor with high pressure water. After the motor is clean lubricate it's main shaft so that it is ready for the next trip.

While storing your motor after your boating trip it is recommended to disconnect it from the battery.

PLEASE NOTE:

Watersnake Distribution Pty Ltd accepts no liability for injury or damage caused by the incorrect deployment or stowing of this motor.

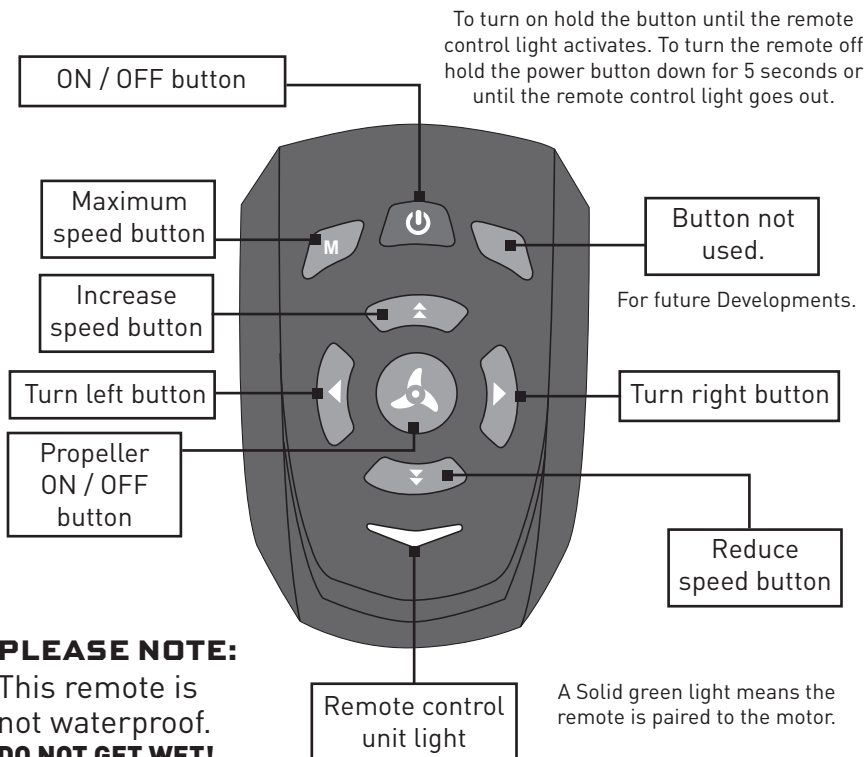
REMOTE CONTROLLER

Do not attempt to operate the Remote Control while outside your floating boat. The Remote unit is splashproof but not submersible. Do not immerse. Use the lanyard provided to ensure the Remote is at hand whenever required. Use the neck lanyard for convenience but be careful not to immerse when leaning close the the water.

- The remote control already comes paired to your motor out of the box. If you need to re-pair the remote unit to the motor see the instructions on page 30.
- The remote control unit is on when the remote control unit light illuminates. The remote control unit light is located at the bottom centre of the remote.
- Watersnake recommends you carry spare batteries and a suitable screwdriver for the FOB on your boat at all times to ensure you have replacements in case of failure of those in the FOB unit.

(This fob unit requires 3 x AAA batteries)

REMOTE CONTROL OPERATIONS



PLEASE NOTE:
This remote is not waterproof.
DO NOT GET WET!

A Solid green light means the remote is paired to the motor.

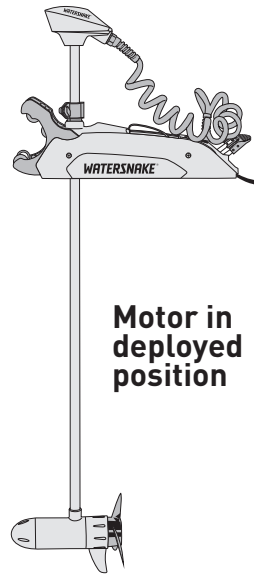
A Blue light means the propeller is spinning.

INITIAL POWER-UP

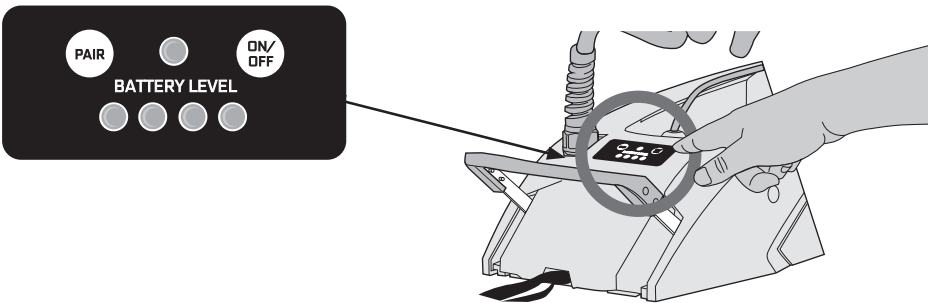
- Attach your Watersnake Stealth to a 12 volt deep cycle or LiFePO4 battery.
- Deploy the motor and ensure locking lever is in the up position.

NOTE: Your Watersnake motor is fitted with a tilt switch that prevents the motor from running unless it is in the deployed (vertical) position.

NOTE: Your Watersnake remote control unit will already be paired to the motor out of the box. If it is not please refer to the pairing instructions on page 30.



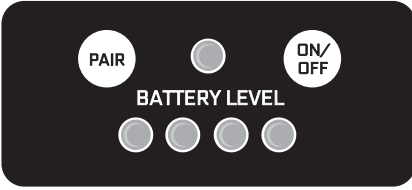
- Hold down the right-hand button (on/off) on the fascia panel on mount assembly until all the lights illuminate.



- The four lower LEDs indicate battery condition. They register as green or unlit, depending on charge remaining.

INITIAL POWER-UP

- The upper LED is the unit's Status Light. Its variable colour display signals important states of your Watersnake Stealth motor.



- **White Status Light:** The status light flashes white while the motor is powering up.

- **Flashing Red Status Light:** Motor is in stowed position and will not activate for safety reasons.

- **Green Status Light:** Green flashing light indicates the motor is looking for a remote unit. When the motor establishes a connection to the paired remote, usually within a few seconds, the green flashing light will turn a solid green. Unit can be operated by the optional foot pedal only (when cable is connected) at this time.

- Power up remote control by holding down the On/Off button until the remote control unit light activates.

- The light on the remote will flash green until the unit is paired. Once the remote is paired the light on the remote will turn to a solid green. Your remote will be paired to your motor out of the box. If your remote needs to be paired to your motor refer to the instructions on page 30.

- To turn off the remote control hold the power button down for 5 seconds or until the remote control light goes out.

NOTE: The light on the remote control unit and the status light on the motor will change to blue when the propeller is active.



HOW TO PAIR THE REMOTE CONTROL TO THE MOTOR

If the remote control unit becomes unpaired and cannot be connected to the motor (No green status light) please take the following steps.

STEP 1:

Deploy the motor and press the power button (On/Off) to power up the motor.

STEP 2:

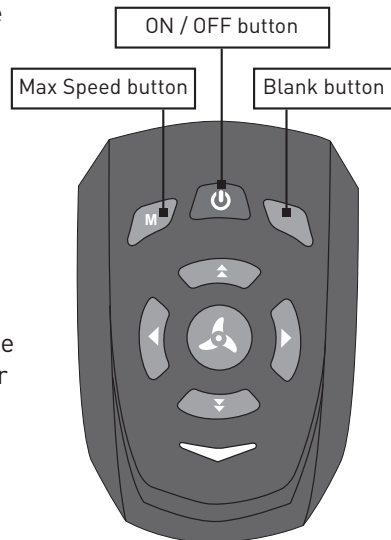
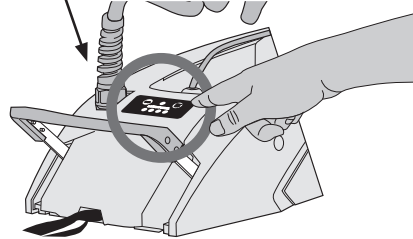
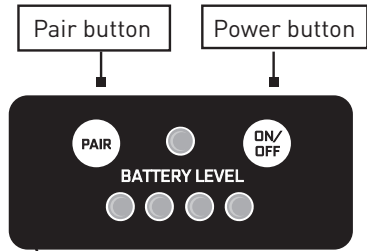
Power up remote control by holding down the On/Off button until the remote control unit light activates. The light will flash red then green then blue then continue to flash green.

STEP 3:

Press the Max Speed (M) button and the blank button on the remote at the same time, until the flashing green light on the remote starts to flash faster then release.

STEP 4:

Press the Pair button on the Stealth bow mount bracket for two or three seconds. When you hear the shave and haircut jingle and the light on the remote turns from flashing to a solid green your remote unit will be synced to the motor.



YOUR REMOTE SHOULD NOW BE CONNECTED.

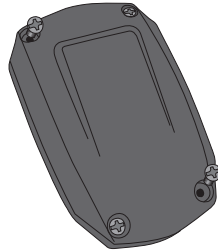
Test that the remote control unit controls the motor as expected. If it doesn't turn the motor or spin the propeller, repeat steps 3 and 4.

REMOTE CONTROLLER

REPLACING THE BATTERIES IN YOUR REMOTE CONTROL UNIT

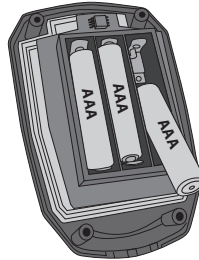
STEP 1:

Unscrew the 4 Phillip head screws and remove the back of the remote.

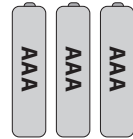


STEP 2:

Remove the three old AAA batteries and replace them with new ones.

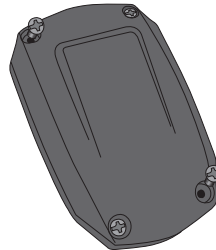


**NEW
BATTERIES
X 3**



STEP 3:

Replace the back making sure everything is in its correct place and replace the screws.



STEP 4:

Pair the remote to your motor. See pairing instructions on page 30.

STEP 5:

Fully test the remote before your next trip to make sure everything functions as it should.



IMPORTANT:

We strongly advise you keep a spare set of batteries (3 x AAA) in your boat at all times as well as an appropriate screwdriver to open and close the remote.

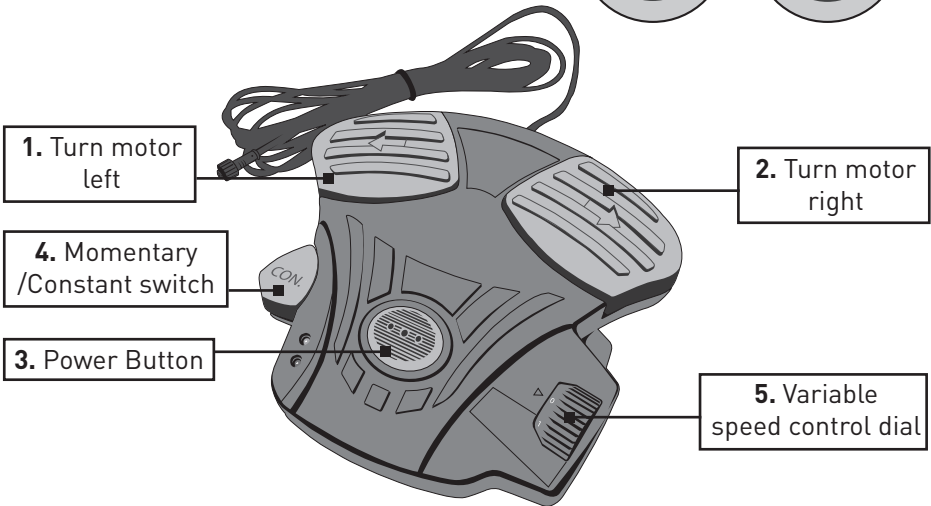
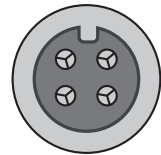
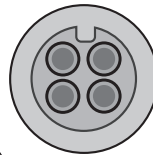
OPTIONAL FOOT PEDAL CONTROLLER

1. The optional foot pedal controller (sold separately) allows you to control your motor hands free. It includes a variable speed control dial for infinite speed adjustment.
2. To connect the foot pedal controller to the motor unscrew a cap from one of the two short leads coming from the back of the motor bracket. Plug the foot pedal controller cable in and tighten the screw in locking collar to finger tightness.

Please note: The foot controller plug is keyed. Please take care to connect the foot controller plug correctly.

Controller socket

Controller connector



- (1) Turn the motor to the left by depressing Button 1.
- (2) Turn the motor to the right but depressing Button 2.
- (3) Use your heel to apply power by depressing Button 3.
- (4) Momentary/constant switch. Toggling this switch alternately allows the user to apply power momentarily, whenever the power button (3) is held down (adjacent red LED is lit), or constantly, without touching power button (adjacent green LED is also illuminated).
- (5) Variable speed control dial.

RECOMMENDATIONS

WHEN USING YOUR WATERSNAKE MOTOR IN THE WATER

Upon connecting your battery to your motor, and before setting off in your boat, make sure that your trolling motor is mounted correctly and stowed securely. Of course once you engage your Watersnake motor for use make sure it is set to the ideal depth. About 30cm from the water surface to the top of the propeller. When you are taking off gradually increase the speed of your trolling motor, do not accelerate it up to full speed right away. For example, if you have a 5 speed trolling motor, don't click through all of the other speeds really fast to get to 5, slowly go up to 1 speed, 2 speed, and so on. It is recommended not to run your trolling motor out of water for long periods of time.

AFTER EVERY USE

- Check your remote control is turned off.
- Disconnect motor from batteries. This can be done by simply disconnecting the Anderson plugs.
- Check Anderson plugs are clean and corrosion free.
- A light spray of WD40 inside your Anderson plugs will reduce corrosion and build-up.
- Recharge battery as soon as possible.
- Wipe down the Watersnake motor with a damp sponge, even after freshwater use. Do not use high pressure as it may drive water and salt inside the motor. Concentrate on areas where salt, dirt and weed fragments are likely to lodge – propeller, motor housing, composite shaft, turnbox, depth collar and exposed parts of deck mount assembly.
- Deploy your motor and wipe the shaft clean of any salt or dirt. It is recommended to lubricate the shaft before stowing the motor for storage.
- Wipe these areas with a cloth soaked in warm soapy water and allow to dry.
- Apply a light coating of a non-staining silicone, petroleum-based or lanolin spray to protect and lubricate exposed parts. Wipe over with a soft, dry cloth.
- Store your Watersnake motor disconnected from its battery.
- If boat is stored outdoors, remove Watersnake and store securely indoors in a cool, dry place.
- If your Watersnake motor is permanently mounted to the boat outdoors, protect it from sun and rain with a tarpaulin or other cover.
- Lengthy exposure to the elements can affect your motor and it's warranty.

MAINTENANCE

MAINTENANCE PERIODICALLY DURING THE SEASON

- Disconnect motor from battery. Inspect battery terminals and cables for signs of corrosion. Remove buildup with a small wire brush and treat with anti-corrosion spray.
- Check Anderson plugs are clean and corrosion free.
- A light spray of WD40 inside your Anderson plugs will reduce corrosion and build-up.
- Apply a silicone, lanolin or carnauba wax coating to the composite shaft to ensure free running through the turnbox.
- Remove left and right side covers from the deck mount assembly with Phillips head screwdriver and remove any dirt, salt, mud or debris inside. Gently rinse with fresh water, allow to dry and apply marine grease to all friction points, such as the stow and deploy mechanism.
- Check for any loose screws/bolts, fasteners in deck mount assembly and upper quick release plate. Retighten as required.
- Remove motor from bottom quick-release plate and check tightness of bolts against foredeck/gunwale of your boat. Retighten as required.
- Check condition of Remote batteries for corrosion or leakage. Replace if suspect.

END OF SEASON, LONG-TERM STORAGE

- Disconnect motor from battery.
- Inspect battery terminals and cables for signs of corrosion. Remove buildup with a wire brush and treat with anti-corrosion spray.
- Check Anderson plugs are clean and corrosion free.
- A light spray of WD40 inside your Anderson plugs will reduce corrosion and build-up.
- Disconnect pedal control. (If you have one)
- Apply a silicone, lanolin or carnauba wax coating to the composite shaft to ensure free running through the turnbox.
- Remove the side covers from the mounting bracket. Clean any dirt, debris or corrosion from the mechanism and reapply marine grease to any moving parts.
- Remove batteries from Remote control.
- Remove motor from boat and store in a cool, dry place away from temperature extremes. Cover your Watersnake motor to prevent dust and dirt buildup.
- Apply Dielectric grease to electronics.

TROUBLESHOOTING

A significant number of issues can be caused by a disruption of power supplied to your Watersnake motor. Careful inspection of your 12v deep cycle or LiFePO₄ battery, wiring and set up should be completed before assuming that there is a fault with your motor.

NO POWER / REDUCED POWER

NOTE – Your Watersnake motor is fitted with a tilt switch that prevents the motor from running unless it is in the deployed (vertical) position.

- Check that battery connection has not been reversed (reversed polarity).
- Check that your 12v deep cycle or LiFePO₄ battery is fully charged (+ 12v).
- Check terminals / connections are secure and not loose.
- Check terminals / connections for any signs of damage, corrosion or build up of debris including Anderson plugs.
- Check Anderson plugs.
- If battery lead has been extended, ensure correct gauge wire has been used (refer to table on page 18 of manual).
- Remove propeller and check for any build up of fishing line / weed or any other debris.
- Check that propeller pin (shear pin) is in place.
- Armature or magnet cracked or dislodged – grinding noise will come from motor (CONTACT WATERSNAKE).

NOISE OR VIBRATION COMING FROM MOTOR

Check that propeller is securely tightened and shear pin is in place
Remove propeller and check for any build up of fishing line / weed or any other debris.

- Check that your 12v deep cycle or LiFePO₄ battery is fully charged (+ 12v).

MOTOR WILL NOT RUN AT VARIABLE SPEEDS

- Check that your 12v deep cycle or LiFePO₄ battery is fully charged (+ 12v).
- Check terminals / connections are secure and not loose.
- Check terminals / connections for any signs of damage, corrosion or build up of debris including Anderson plugs.
- Ensure motor is on and remote battery has charge.

TROUBLESHOOTING

MOTOR HAS DIFFICULTY STEERING

- Check if coiled power lead from base to motor head is tangled/knotted around shaft. Stop and unravel or raise shaft from turnbox collar and manually rotate to disentangle.

DIFFICULTY DEPLOYING OR STOWING

- Ensure you follow correct deploy/stow process (refer Stow and Deploy section in this manual. Pages 21-26).
- Check for obstructions within the mounting assembly.
- Lubricate shaft with spray lubricant. Concentrate spray on area where shaft runs through turnbox.
- Clean any debris from the mounting bracket.
- Remove the side covers from the mounting bracket and apply marine grease to moving parts of the stow/deploy mechanism

REMOTE CONTROL

- Remote not operational – 3 x AAA batteries may need replacement. Phillips head screwdriver required. See page 31 for instructions.
- Remote on but not connected to the motor and status light on motor is yellow. Pair the remote to the motor see page 30 for instructions.

OPTIONAL FOOT CONTROL

- Check that foot control cable plug is firmly connected and locked in.
- Check for debris that may affect operation of pedal controls and cable connections.
- Check speed control dial is not set to zero
- Restart base unit and recheck.

SERVICING

SERVICING YOUR WATERSNAKE ELECTRIC MOTOR

When it's time for your Watersnake electric motor to be serviced, it is recommended you choose to use an Authorised Service Agent such as Anglers' Central Service Centre to perform the service.

For Australian residents, you can find up to date contact details on our website.

Vist: www.watersnake.com.au/pages/watersnake-motors-spare-parts
alternatively you can scan the QR code.



Outside Australia, please contact your local distributor as listed on the back page of this booklet.

Watersnake electric motors are precision instruments that rely on exacting alignment of numerous components; it is worth considering taking your electric motor to an Authorised Service Agent for servicing.

IMPORTANT!

If you choose to service the electric motor yourself or through any other third party not authorised by Watersnake Distribution Pty Ltd to service Watersnake motors, the motor will no longer be covered under the normal consumer guarantees. Items or issues from that time on and thereafter will be the sole responsibility of the owner. It is important to make sure you use good quality grease, and remember do not over lubricate. Small amounts of grease in the correct places are more important.

SPECIFICATIONS

WATERSNAKE STEALTH 54LB / 48" SHAFT MODELS

MODELS	CODE: 55319	NAME: STEALTH 54/48 GREY SALTWATER
VOLTAGE (V)	12 VOLT	
MAX.THRUST (LB)	54LB	
MAX.RPM	1700r/min (No load)	
SPEEDS	VARIABLE	
SHAFT LENGTH (IN)	48" / 122cm	
SHAFT WALL	4.25mm	
SHAFT DIAMETER	1.2"/30mm	
AVERAGE AMP DRAW (A)	34A	
MAX AMP DRAW (A)	50A	
MAX POWER (Watts)	600W INPUT 290W OUTPUT	
PROP	3 BLADE-WEEDLESS (PITCH 94mm)	
REMOTE CONTROL	DIGITAL FOB	
FOOT CONTROL	OPTIONAL	
MOUNTING	BOW MOUNT	
WIRE GAUGE	10AWG (5.2mm ²)	
REQUIRED BATTERY	12v DEEP CYCLE OR LiFePO4	
MIN. RECOMMENDED BATTERY SIZE	100 AMP HOUR *	
MAX SUGGESTED LOADED BOAT WEIGHT	UP TO 650KG	
MOTOR WEIGHT	15.6KG	

*** NOTE** - this is to be used as a guide only. Check with your battery supplier to confirm required size of 12 volt deep cycle or LiFePO4 battery that will be appropriate for your situation. Your Watersnake Stealth motor is fitted with built in voltage protection, current protection and overheating temperature control. The use of a circuit breaker is not required.

SPECIFICATIONS

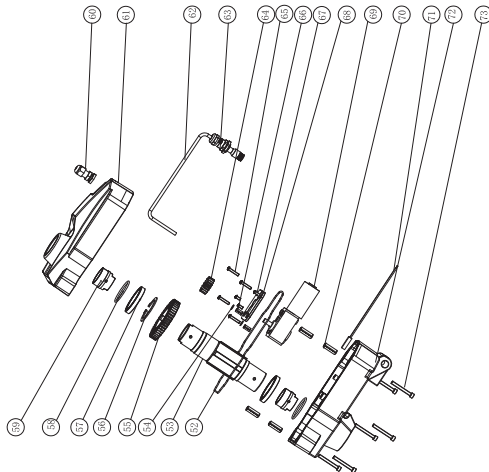
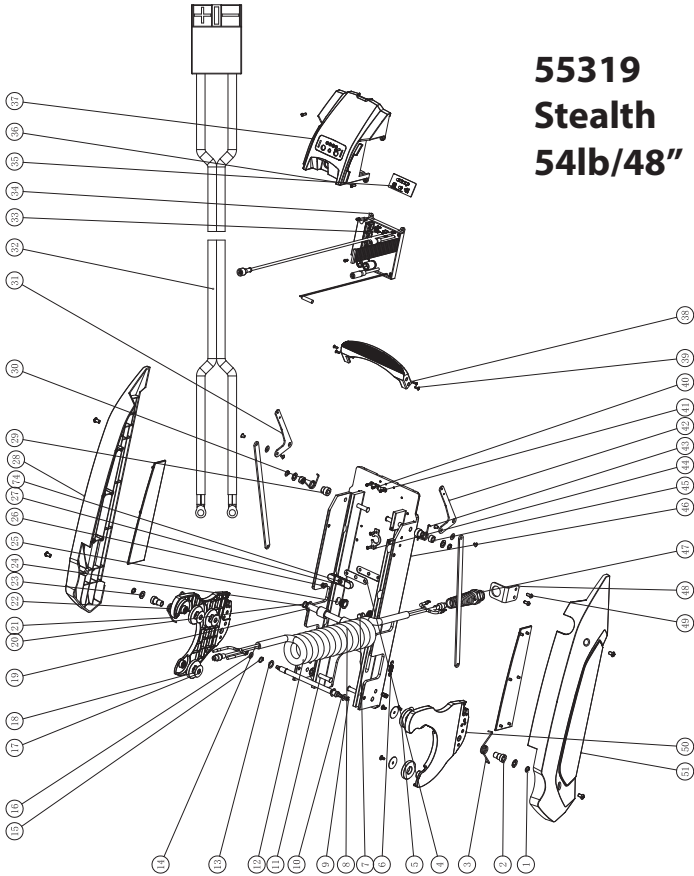
WATERSNAKE STEALTH 65LB / 54" SHAFT MODELS

MODELS	CODE: 55318	NAME: STEALTH 65/54 GREY SALTWATER
VOLTAGE (V)	12 VOLT	
MAX.THRUST (LB)	65LB	
MAX.RPM	1650r/min (No load)	
SPEEDS	VARIABLE	
SHAFT LENGTH (IN)	54" / 137cm	
SHAFT WALL	4.25mm	
SHAFT DIAMETER	1.2"/30mm	
AVERAGE AMP DRAW (A)	30A	
MAX AMP DRAW (A)	43A	
MAX POWER (Watts)	516W INPUT 310W OUTPUT	
PROP	3 BLADE-WEEDLESS (PITCH 94mm)	
REMOTE CONTROL	DIGITAL FOB	
FOOT CONTROL	OPTIONAL	
MOUNTING	BOW MOUNT	
WIRE GAUGE	10AWG (5.2mm ²)	
REQUIRED BATTERY	12v DEEP CYCLE OR LiFePO ₄	
MIN. RECOMMENDED BATTERY SIZE	100 AMP HOUR *	
MAX SUGGESTED LOADED BOAT WEIGHT	UP TO 800KG	
MOTOR WEIGHT	16.08KG	

*** NOTE** - this is to be used as a guide only. Check with your battery supplier to confirm required size of 12 volt deep cycle or LiFePO₄ battery that will be appropriate for your situation. Your Watersnake Stealth motor is fitted with built in voltage protection, current protection and overheating temperature control. The use of a circuit breaker is not required.

SCHEMATICS AND PARTS LIST

55319
Stealth
54lb/48"



55319 Stealth 54lb/48"

TO ORDER
YOUR WATERSNAKE
STEALTH PARTS, VISIT:
www.anglerscentral.com.au

PART NO.

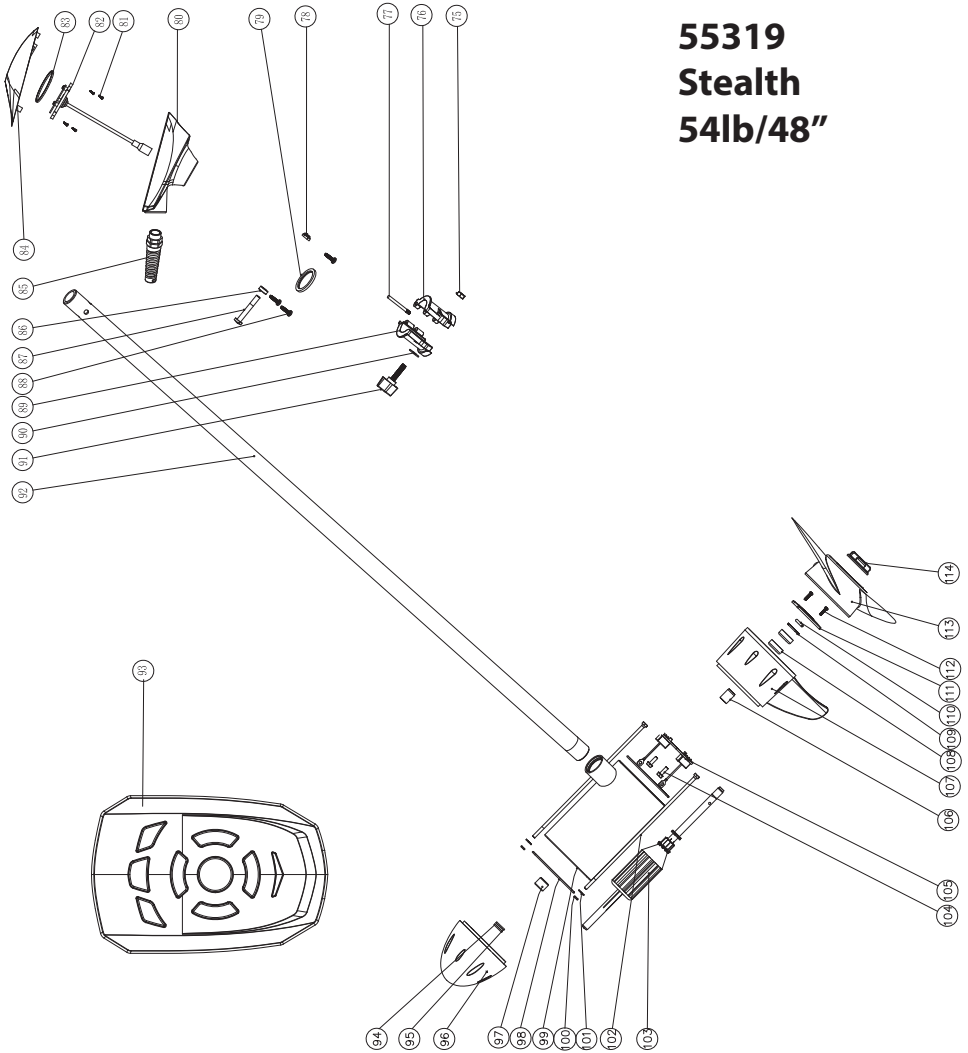
51	HP6. 176. 033. 005	Right side panel assembly	1
50	HP6. 154. 021. 000	Right movable plate assembly	1
49	HP8. 902. 198. 00	Screw	2
48	HP8. 611. 221. 000	Fixed frame	1
47	HP8. 354. 019. 000	Cable gland	1
46	HP8. 601. 093. 024	Bottom plate	1
45	HP8. 223. 124. 000	bushing 3	2
44	HP8. 667. 044. 000	Securing clip	1
43	HP8. 383. 127. 00	Left torsion spring	1
42	HP6. 201. 047. 000	Right link assembly	1
41	HP8. 902. 017. 00	screw	3
40	HP8. 610. 193. 00	Pressure plate	1
39	HP8. 902. 201. 45	Screw M3X8	4
38	HP8. 335. 002. 000	pedal	1
37	HP8. 010. 146. 080	The front cover	1
36	HP8. 902. 193. 45	Screw	6
35	HP6. 672. 113. 000	Display board assembly	1
34	HP6. 702. 140. 000	Drive controller	1
33	HP8. 902. 024. 00	Screw	3
32	HP6. 647. 252. 000	Power cord assembly	1
31	HP6. 201. 046. 000	Left link assembly	1
30	HP8. 383. 128. 00	Right twist	1
29	HP8. 211. 022. 000	Crank sleeve	2
28	HP6. 176. 032. 005	Left panel assembly	1
27	HP8. 683. 041. 00	Elastic cushion	1
26	HP8. 902. 384. 00	Screw	4
25	HP8. 211. 004. 000	Nested	2
24	HP8. 247. 192. 000	Elastic retaining ring for shaft	2
23	HP8. 941. 373. 000	washer	6
22	HP6. 154. 020. 000	Left movable plate assembly	1
21	HP8. 383. 218. 000	Left-handed torsion spring	1
20	HP8. 941. 306. 000	Gasket	2
19	HP8. 303. 043. 000	Axis of rotation	1
18	HP8. 940. 871. 000	Was	6
17	HP8. 903. 219. 000	Screw	6
16	HP8. 940. 056. 00	Transmission gear washers	2
15	HP8. 247. 190. 000	Elastic retaining ring for shaft	2
14	HP6. 647. 290. 000	Spiral component ②	1
13	HP8. 940. 625. 00	Flat Washers	2
12	HP8. 264. 820. 000	Cylindrical pin	2
11	HP8. 264. 819. 000	pin⑧	4
10	HP8. 306. 129. 000	axis	1
9	HP8. 247. 191. 000	Elastic retaining ring for shaft	2
8	HP8. 223. 123. 000	bushing 2	2
7	HP8. 530. 119. 006	magnetic steel	1
6	HP8. 381. 059. 000	Tension spring	2
5	HP8. 245. 214. 000	Brushed damping wheel	6
4	HP8. 941. 178. 00	Gasket	1
3	HP8. 383. 219. 000	Right-handed torsion spring	1
2	HP8. 220. 494. 000	Positioning sleeve	2
1	HP8. 247. 172. 000	Circlip	4
NO.	DRAWING NO.	PART NAME	QTY

PART NO.

74	HP8. 902. 559. 000	Screw	1
73	HP8. 902. 544. 000	Screw	6
72	HP8. 010. 150. 231	Steering box lower cover	1
71	HP7. 330. 024. 000	Proximity switch	1
70	HP8. 264. 817. 000	Elastic cylindrical pin⑧	4
69	HP6. 714. 030. 000	Steering motor	1
68	HP8. 610. 424. 024	Fixed plate	1
67	HP8. 902. 256. 00	Screw	3
66	HP8. 264. 818. 000	Elastic cylindrical pin①6	2
65	HP8. 902. 199. 45	Screw	4
64	HP8. 435. 797. 000	gear	1
63	HP8. 354. 032. 000	Waterproof connector	1
62	HP6. 647. 286. 000	4-core assembly	1
61	HP8. 010. 151. 231	Steering box upper cover	1
60	HP6. 428. 024. 000	Waterproof connector	1
59	HP8. 210. 450. 00	bushing	2
58	HP8. 662. 145. 000	O-ring	2
57	HP6. 263. 067. 02	Bearing	2
56	HP8. 247. 193. 000	Circlip for shaft	1
55	HP8. 415. 193. 00	gear	1
54	HP8. 940. 673. 00	Flat Washers	2
53	HP8. 211. 005. 027	casing	1
52	HP8. 662. 175. 000	O-ring	1

SCHEMATICS AND PARTS LIST

**55319
Stealth
54lb/48"**



**55319
Stealth
54lb/48"**

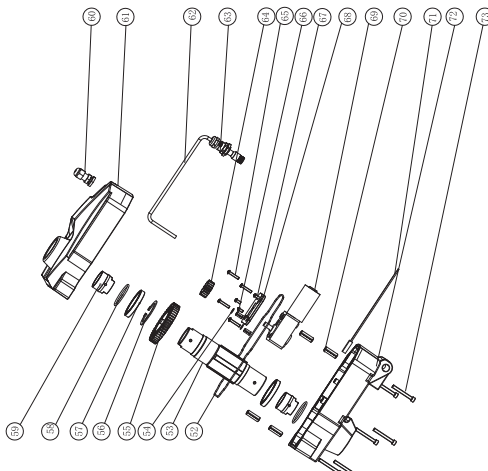
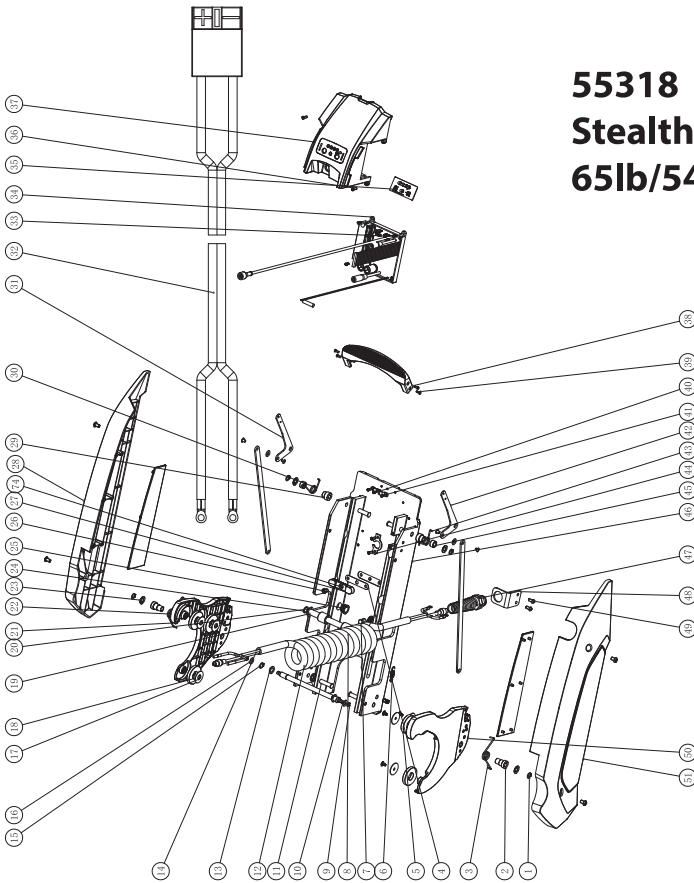
PART NO.

114	HP6.482.001.00	prop nut	1
113	HP6.393.001.000	prop	1
112	HP8.903.187.000	screw	2
111	HP7.690.001.00	sacrificial anode	1
110	HP8.264.157.00	pin	1
109	HP8.683.049.45	retainer ring	1
108	HP6.475.000.00	sealing ring	2
107	HP8.010.002.231	front cover	1
106	HP8.251.000.00	oil bearing	1
105	HP6.670.114.000	brush frame assy	1
104	HP8.903.060.07	bolt	2
103	HP6.656.004.001	rotor assy	1
102	HP8.926.018.00	connecting screw rod	2
101	HP8.610.049.00	hexagonal washer	2
100	HP8.662.015.00	mini O-sealing ring	2
99	HP6.652.012.003	stator assy	1
98	HP8.662.016.000	o-sealing ring	2
97	HP8.251.001.00	oil bearing	1
96	HP8.010.003.231	back cover	1
95	HP8.940.309.000	washer	1
94	HP8.940.310.000	washer	1
93	HP6.789.009.000	remote controller	1
92	HP6.657.153.999	shaft	1
91	HP6.480.014.00	bolt	1
90	HP8.940.313.00	washer	1
89	HP8.242.153.00	right body of depth adjustment collar	1
88	HP8.903.059.00	screw	3
87	HP8.926.045.00	bolt	1
86	HP8.220.378.70	bushing	1
85	HP8.354.019.000	cable fixing head	1
84	HP8.076.443.080	top cover	1
83	HP8.683.181.000	sealing ring	1
82	HP6.702.144.000	drive controller	1
81	HP8.093.022.000	screw	4
80	HP8.076.444.080	bottom cover	1
79	HP8.662.083.00	sealing ring	1
78	HP6.482.000.00	lock nut	1
77	HP8.264.468.00	pin	1
76	HP8.242.152.00	left body of depth adjustment collar	1
75	HP8.379.073.00	nut	1
No.	DRAWING NO.	PART NAME	Q'TY

**TO ORDER
YOUR WATERSNAKE
STEALTH PARTS, VISIT:
www.anglerscentral.com.au**

SCHEMATICS AND PARTS LIST

**55318
Stealth
65lb/54"**



55318 Stealth 65lb/54"

TO ORDER
YOUR WATERSNAKE
STEALTH PARTS, VISIT:
www.anglerscentral.com.au

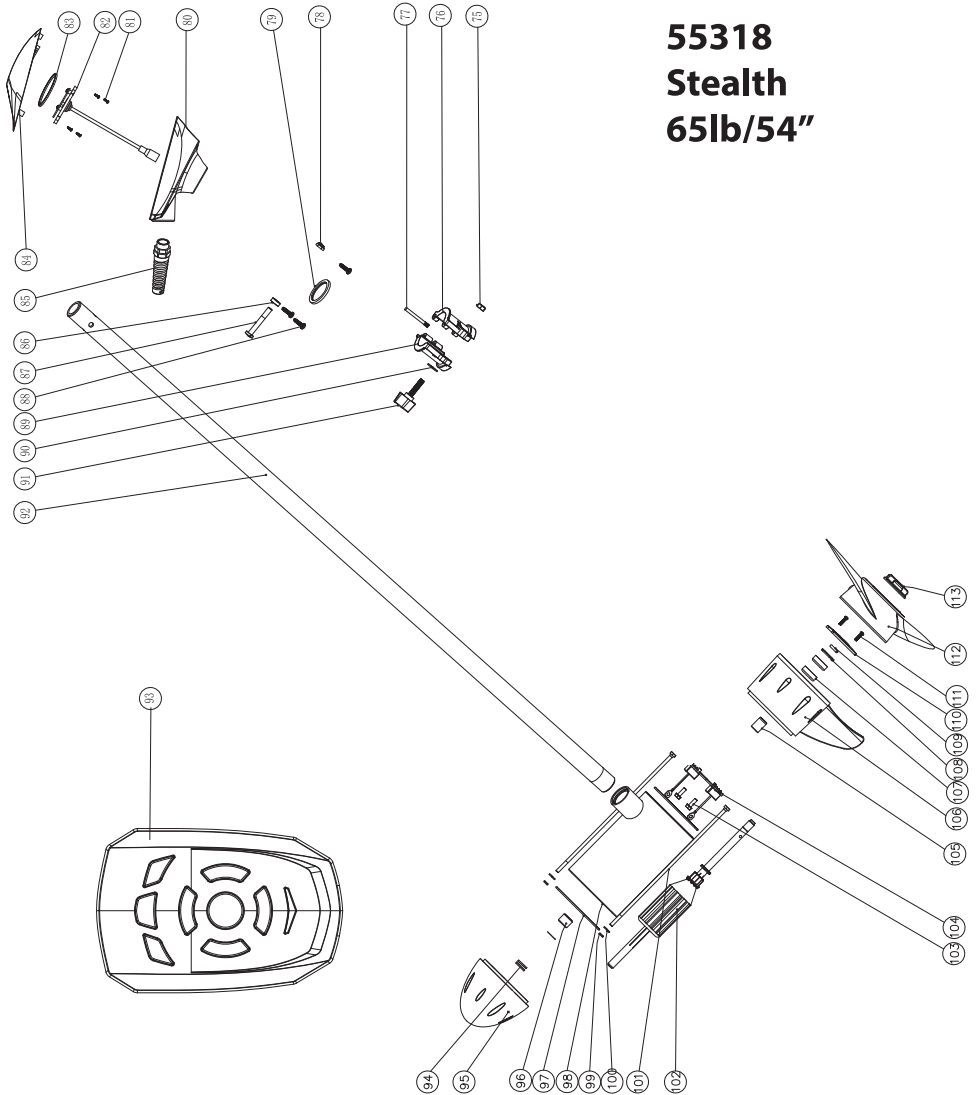
PART NO.				PART NO.			
74	HP8. 902. 559. 000	Screw	1	22	HP6. 154. 020. 000	Right movable plate assembly	1
73	HP8. 902. 544. 000	Screw	6	21	HP8. 383. 218. 000	Left-handed torsion spring	1
72	HP8. 010. 150. 231	Steering box lower cover	1	20	HP8. 941. 306. 000	Gasket	2
71	HP7. 330. 024. 000	Proximity switch	1	19	HP8. 303. 043. 000	Axis of rotation	1
70	HP8. 264. 817. 000	Elastic cylindrical pin⊙8	4	18	HP8. 940. 871. 000	Was	6
69	HP6. 714. 030. 000	Steering motor	1	17	HP8. 903. 219. 000	Screw	6
68	HP8. 610. 424. 024	Fixed plate	1	16	HP8. 940. 056. 00	Transmission gear washers	2
67	HP8. 902. 256. 00	Screw	3	15	HP8. 247. 190. 000	Elastic retaining ring for shaft	2
66	HP8. 264. 818. 000	Elastic cylindrical pin⊙6	2	14	HP6. 647. 290. 000	Spiral component ⊙2	1
65	HP8. 902. 199. 45	Screw	4	13	HP8. 940. 625. 00	Flat Washers	2
64	HP8. 435. 797. 000	gear	1	12	HP8. 264. 820. 000	Cylindrical pin	2
63	HP8. 354. 032. 000	Waterproof connector	1	11	HP8. 264. 819. 000	pin⊙8	4
62	HP6. 647. 286. 000	4-core assembly	1	10	HP8. 306. 129. 000	axis	1
61	HP8. 010. 151. 231	Steering box upper cover	1	9	HP8. 247. 191. 000	Elastic retaining ring for shaft	2
60	HP6. 428. 024. 000	Waterproof connector	1	8	HP8. 223. 123. 000	bushing 2	2
59	HP8. 210. 450. 00	bushing	2	7	HP8. 530. 119. 006	magnetic steel	1
58	HP8. 662. 145. 000	O-ring	2	6	HP8. 381. 059. 000	Tension spring	2
57	HP6. 263. 067. 02	Bearing	2	5	HP8. 245. 214. 000	Brushed damping wheel	6
56	HP8. 247. 193. 000	Circlip for shaft	1	4	HP8. 941. 178. 00	Gasket	1
55	HP8. 415. 193. 00	gear	1	3	HP8. 383. 219. 000	Right-handed torsion spring	1
54	HP8. 940. 673. 00	Flat Washers	2	2	HP8. 220. 494. 000	Positioning sleeve	2
53	HP8. 211. 005. 027	casing	1	1	HP8. 247. 172. 000	Circlip	4
52	HP8. 662. 175. 000	O-ring	1	NO.	DRAWING NO.	PART NAME	QTY

PART NO.

51	HP6. 176. 033. 005	Right side panel assembly	1
50	HP6. 154. 021. 000	Right movable plate assembly	1
49	HP8. 902. 198. 00	Screw	2
48	HP8. 611. 221. 000	Fixed frame	1
47	HP8. 354. 019. 000	Cable gland	1
46	HP8. 601. 093. 024	Bottom plate	1
45	HP8. 223. 124. 000	bushing 3	2
44	HP8. 667. 044. 000	Securing clip	1
43	HP8. 383. 127. 00	Left torsion spring	1
42	HP6. 201. 047. 000	Right link assembly	1
41	HP8. 902. 017. 00	screw	3
40	HP8. 610. 193. 00	Pressure plate	1
39	HP8. 902. 201. 45	Screw M3X8	4
38	HP8. 335. 002. 000	pedal	1
37	HP8. 010. 146. 080	The front cover	1
36	HP8. 902. 193. 45	Screw	6
35	HP6. 672. 113. 000	Display board assembly	1
34	HP6. 702. 140. 000	Drive controller	1
33	HP8. 902. 024. 00	Screw	3
32	HP6. 647. 252. 000	Power cord assembly	1
31	HP6. 201. 046. 000	Left link assembly	1
30	HP8. 383. 128. 00	Right twist	1
29	HP8. 211. 022. 000	Crank sleeve	2
28	HP6. 176. 032. 005	Left panel assembly	1
27	HP8. 683. 041. 00	Elastic cushion	1
26	HP8. 902. 384. 00	Screw	4
25	HP8. 211. 004. 000	Nested	2
24	HP8. 247. 192. 000	Elastic retaining ring for shaft	2
23	HP8. 941. 373. 000	washer	6
22	HP6. 154. 020. 000	Right movable plate assembly	1
21	HP8. 383. 218. 000	Left-handed torsion spring	1
20	HP8. 941. 306. 000	Gasket	2
19	HP8. 303. 043. 000	Axis of rotation	1
18	HP8. 940. 871. 000	Was	6
17	HP8. 903. 219. 000	Screw	6
16	HP8. 940. 056. 00	Transmission gear washers	2
15	HP8. 247. 190. 000	Elastic retaining ring for shaft	2
14	HP6. 647. 290. 000	Spiral component ⊙2	1
13	HP8. 940. 625. 00	Flat Washers	2
12	HP8. 264. 820. 000	Cylindrical pin	2
11	HP8. 264. 819. 000	pin⊙8	4
10	HP8. 306. 129. 000	axis	1
9	HP8. 247. 191. 000	Elastic retaining ring for shaft	2
8	HP8. 223. 123. 000	bushing 2	2
7	HP8. 530. 119. 006	magnetic steel	1
6	HP8. 381. 059. 000	Tension spring	2
5	HP8. 245. 214. 000	Brushed damping wheel	6
4	HP8. 941. 178. 00	Gasket	1
3	HP8. 383. 219. 000	Right-handed torsion spring	1
2	HP8. 220. 494. 000	Positioning sleeve	2
1	HP8. 247. 172. 000	Circlip	4
NO.	DRAWING NO.	PART NAME	QTY

SCHEMATICS AND PARTS LIST

55318 Stealth 65lb/54"



**55318
Stealth
65lb/54"**

**TO ORDER
YOUR WATERSNAKE
STEALTH PARTS, VISIT:
www.anglerscentral.com.au**

PART NO.

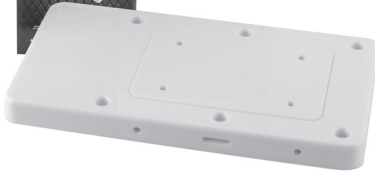
113	HP6.482.001.00	prop nut	1
112	HP6.393.001.8000	prop	1
111	HP8.903.187.000	screw	2
110	HP7.690.001.00	sacrificial anode	1
109	HP8.264.157.00	pin	1
108	HP8.683.049.45	retainer ring	1
107	HP6.475.000.00	sealing ring	2
106	HP8.010.070.231	front cover	1
105	HP8.251.000.00	oil bearing	1
104	HP6.670.095.000	brush frame assy	1
103	HP8.903.060.07	bolt	2
102	HP6.656.022.000	rotor assy	1
101	HP8.926.018.00	connecting screw rod	2
100	HP8.610.049.00	hexagonal washer	2
99	HP8.662.015.00	mini O-sealing ring	2
98	HP6.652.015.004	stator assy	1
97	HP8.662.016.00	o-sealing ring	2
96	HP8.251.001.00	oil bearing	1
95	HP8.010.071.231	back cover	1
94	HP6.260.000.00	thrust bearing	1
93	HP6.789.009.000	remote controller	1
92	HP6.657.154.999	shaft	1
91	HP6.480.014.00	bolt	1
90	HP8.940.313.00	washer	1
89	HP8.242.153.00	right body of depth adjustment collar	1
88	HP8.903.059.00	screw	3
87	HP8.926.045.00	bolt	1
86	HP8.220.378.70	bushing	1
85	HP8.354.019.000	cable fixing head	1
84	HP8.076.443.080	top cover	1
83	HP8.683.181.000	sealing ring	1
82	HP6.702.144.000	drive controller	1
81	HP8.093.022.000	screw	4
80	HP8.076.444.080	bottom cover	1
79	HP8.662.083.00	sealing ring	1
78	HP6.482.000.00	lock nut	1
77	HP8.264.468.00	pin	1
76	HP8.242.152.00	left body of depth adjustment collar	1
75	HP8.379.073.00	nut	1
No.	DRAWING NO.	PART NAME	Q'TY

OPTIONAL ACCESSORIES

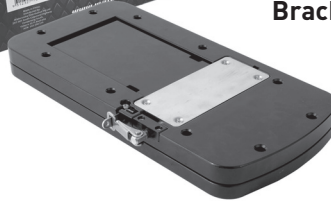
To order your Watersnake optional accessories, visit:
www.anglerscentral.com.au



**Nylon
Quick Release
Bracket 55502**



**Alloy
Quick Release
Bracket 55016**



**3 Blade Prop
For 54LB Model
55130**



**3 Blade Prop
For 65LB Model
55535**



**Propeller
Accessory Kit
55132**



Foot Control 55532

THE BELOW INFORMATION IS FOR THE USA ONLY.

WATERSNAKE®

Watersnake Limited One Year Warranty (USA)

All watersnake products are covered by a one year Limited Warranty covering faults in workmanship and materials from the date of original retail purchase. The purchaser should return the defective product postage prepaid, insured, with proof of purchase (a dated sales receipt) and the reason for return to the address below:

**Innovative Procurement
124, Opportunity Rd, Camdenton,
MO 65020, United States
PH: +1 573-346-7447**

Online Store for spare parts and accessories: watersnakeusa.com

Note: Residents of Hawaii, Alaska, and U.S. territories shall be billed for return shipping via registered priority mail. Watersnake will repair or replace the product at its option and return direct to purchaser.

Terms

This Limited Warranty does not cover Watersnake products damaged due to abuse, misuse, normal wear, or excessive wear caused by neglect of cleaning and lubrication required or general service requirements due to owner's failure to provide reasonable and necessary maintenance.

This Warranty does not extend to products which are put into commercial use. Commercial use is defined as any work or employment related use of the product which generates income.

Watersnake products not covered by this Limited Warranty may be repaired at a nominal charge to the purchaser, provided parts are available and the product is returned with return postage prepaid.

The warranties described herein shall be the sole and exclusive warranties granted by Watersnake and shall be the sole and exclusive remedy available to the purchaser. Correction of defects, in the manner and time period described herein, shall constitute complete fulfillment of all liabilities and responsibilities of Watersnake to the purchaser with regard to this product, and shall constitute full satisfaction of all claims, whether based on contract, negligence, strict liability or otherwise. Watersnake shall not be liable or in any way responsible for any damages or defects caused by repairs or attempted repairs performed by anyone other than a Watersnake authorised service agent. Watersnake reserves the right to amend or change this Limited Warranty at any time. This Limited Warranty is non-transferable. The provisions of this Limited Warranty are in addition to, and not a modification of, or a subtraction from, the statutory warranties and other rights and remedies contained in any applicable legislation. To the extent that any provision of this Limited Warranty is inconsistent with any applicable law, such provision shall be deemed voided or amended as necessary, to comply with such law.

"ALL INCIDENTAL AND/OR CONSEQUENTIAL DAMAGES ARE EXCLUDED FROM THIS WARRANTY INSERT. IMPLIED WARRANTIES ARE LIMITED TO THE LIFE OF THIS WARRANTY. SOME STATES DO NOT ALLOW LIMITATIONS ON HOW LONG AN IMPLIED WARRANTY LASTS OR THE EXCLUSION OR LIMITATION OF THE INCIDENTAL OR CONSEQUENTIAL DAMAGES, SO THE ABOVE LIMITATIONS OR EXCLUSIONS MAY NOT APPLY TO YOU. THIS WARRANTY GIVES YOU SPECIFIC LEGAL RIGHTS, AND YOU MAY ALSO HAVE OTHER LEGAL RIGHTS THAT MAY VARY FROM STATE TO STATE."

For Your Records:

Model Number:.....

Serial Number:.....

NOTES:

WATERSNAKE®

CONTACT INFORMATION

Full and up to date contact information can be found at:

www.watersnake.com.au

REGION/COUNTRY	DISTRIBUTOR	PHONE
Asia Pacific		
Australia	Watersnake	+61 3 8789 7949
New Zealand	Brittain Wynyard	+64 9 306 7200
South Korea	Plady Co.	+82 10 9894 9938
USA		
USA	Innovative Procurement, LLC	+1 573 346 7447
USA	Sea Eagle Boats Inc.	+1 631 791-1799
Africa		
South Africa	Apex Walker	+27 11 4621 302
Europe		
Italy	Europesca Sport	+39 06 6500 2449
Sweden	Wiggler AB	+46 303 798 744
United Kingdom	Dennet Outdoor	+44 0 2871 38 3033

Spare Parts:

Anglers Central Service Centre

To order spare parts online visit:

www.anglerscentral.com.au

Shipping Internationally

www.watersnake.com.au

Watersnake Distribution Pty. Ltd.
297-305 South Gippsland Highway
Dandenong South, Victoria 3175 Australia
ACN: 143 230 175

Watersnake® and Jarvis Marine® are registered trademarks of Watersnake Distribution Pty. Ltd.

© Watersnake Distribution Pty. Ltd. All Rights Reserved.
Specifications are subject to change without notice.