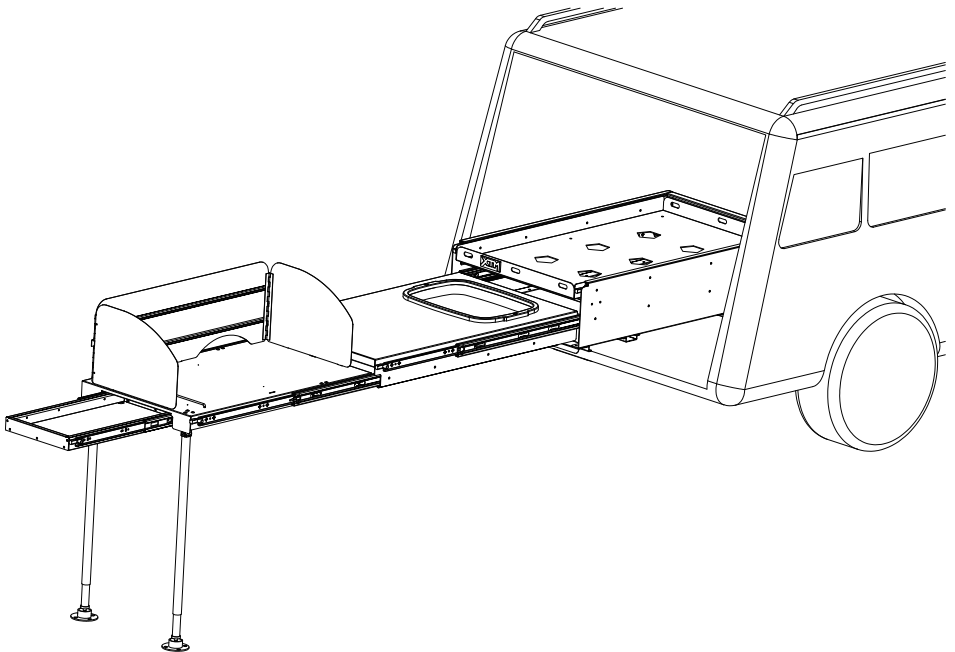


PLU: 675704
CODE: CK-8953BCZ
Manufactured and packaged for
SRGS PTY LTD
ABN 23 113 230 050
6 Coulthards Avenue
Strathpine QLD 4500, Australia
MADE IN CHINA

4x4 ACCESSORIES

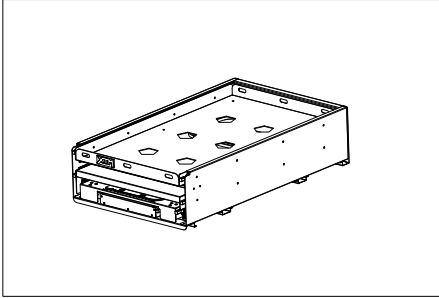
+ 4WD CAMP KITCHEN WITH SINK

Instruction Manual

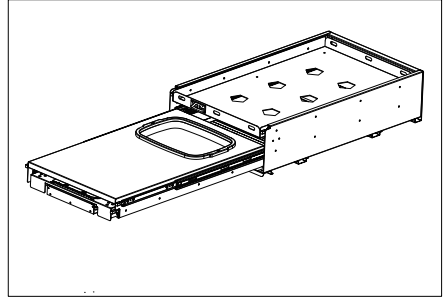


+ 4WD Camp Kitchen with Sink - PLU 675704

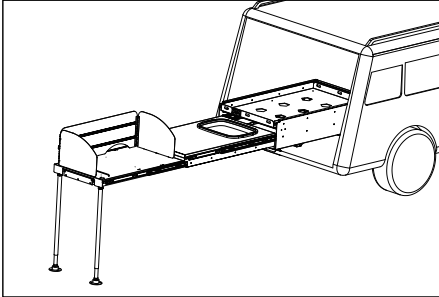
Thank you for purchasing the XTM Camp Kitchen with Sink. The XTM Camp Kitchen with Sink has four sections.



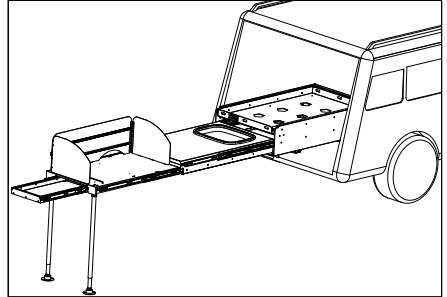
+ The top section of the slide is designed placement of your fridge/freezer. Using the four straps supplied, loop them through the oval holes at each end to hold the fridge firmly in place.



+ The second section of slide is for food preparation.

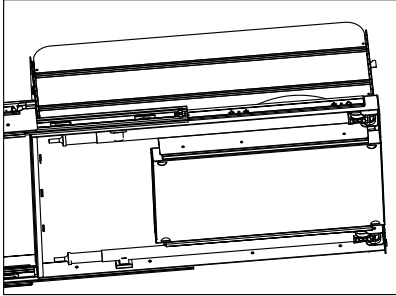


+ The third section of the slide is where you place your stove. To set up the wind shield, you will need to release the wind shield from the bungee cord and clip into the slots provided.

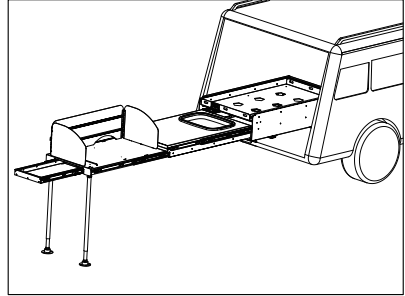


+ The fourth section of the slide is for cutlery storage.

IMPORTANT: Please make sure all 2 legs are fully extended and twist locked before placing stove on the slide. Always make sure the wind shield is set up before turning on the stove.



+ Support legs are underneath the third section of the slide.

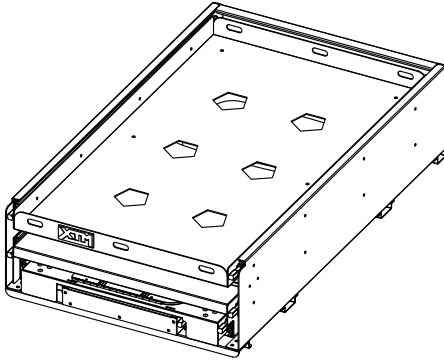


+ Extend all 2 legs and make sure they are twist locked.

You will need to fold and clip the wind shield back with the bungee cord before you close it.

NOTE: Fridge slide maximum weight capacity 60kg, Stove top and Prep table sections maximum weight capacity 30kg each.

+ Part List



+ Specifications

External size: L90 x W53.7 x H21.5cm

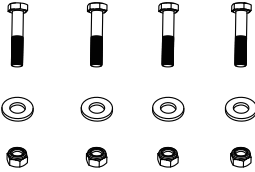
Net Weight: 37.5kg

Top section inner size: 86.5 x 49cm

Second section pull out length: 85cm

Third section pull out length: 74.5cm

Fourth section pull out length: 44.5cm

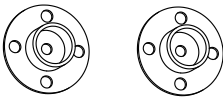


+ Mounting Kit

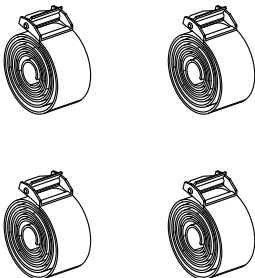
4 x M10 x 50mm Bolts

4 x M10 Washers

4 x M10 Nyloc nuts



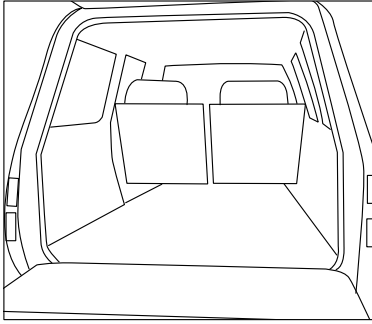
2 x Bases for supporting legs



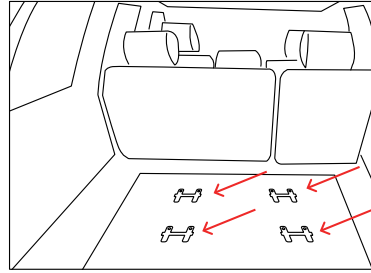
+ Tie Down Kit

4 x Nylon straps

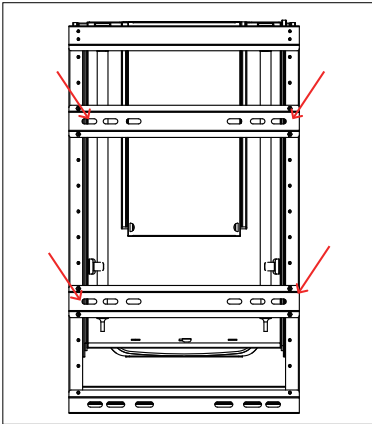
+ Locating Mounting Space in Car



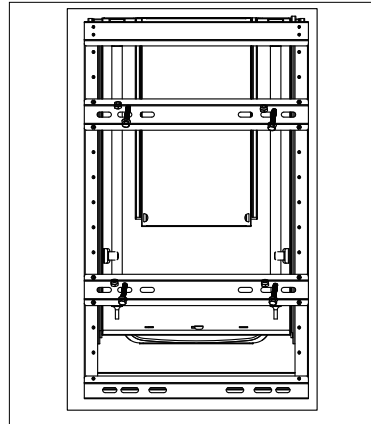
+ Before you put the camp kitchen inside the car, you will need first check the rear base of your car to locate the right position for the camp kitchen mounting.



+ You can use the seat anchor points to bolt the camp kitchen into your car. Check the distance between the seat mounting points and compare with the mounting rail at bottom of camp kitchen.



+ Move the mounting rail to adjust to right position.



+ Pull out the slide to allow easy access bottom mounting rail. Using the M10 bolts and nuts/washers provided in the mounting kit to attach to the underside of the camp kitchen.