

RHINO-RACK®

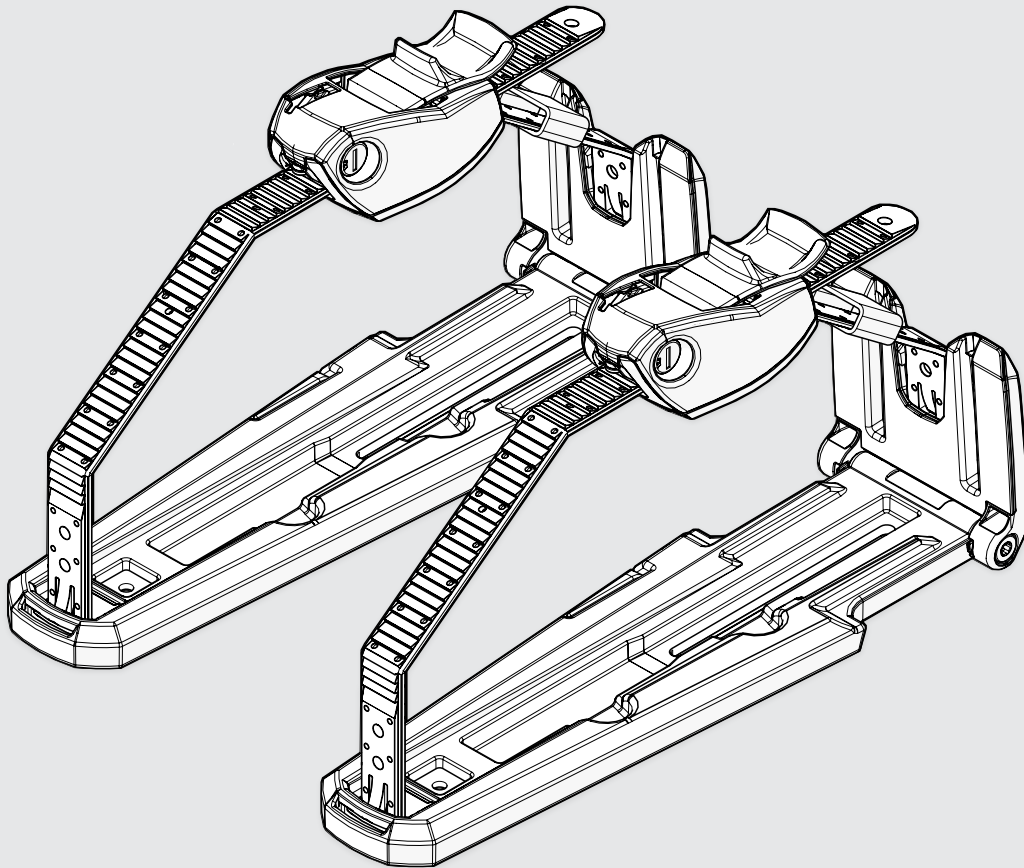
Recovery Track Holder MSIT

Important:

1. Check the Rhino-Rack website to ensure you have the latest issue of these instructions.
2. Please refer to your fitting instruction to ensure that the roof racks are installed in the correct locations.
3. Check the contents of kit before commencing fitment and report any discrepancies.
4. Place these instructions in the vehicle's glove box after installation is complete.
5. These instructions must be followed for warranty to be upheld.

Fit Time: 15 mins

STOW IT™



RHINORACK.COM

Document No: 520-RFI-00138

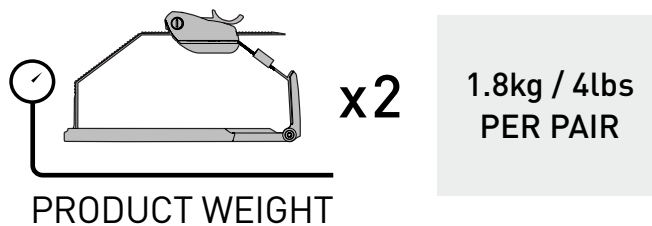
Issue No: 01

Issue Date: 30/05/2023

Carrying Capacity

Check the vehicle owners hand book for your vehicle manufacturer’s maximum carrying capacity. Do not exceed the vehicle manufacturer’s maximum roof carrying capacity.

The weight of the roof racks, that the accessory is attached to, must also be included in the total vehicle roof load.

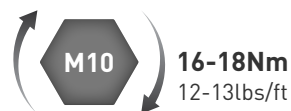


In service maintenance checks

- All bolt connections should be checked after driving a short distance when you first install your roof racks.
- All bolted connections should be checked again at regular intervals (weekly is recommended, depending on road conditions, usage, loads and distances travelled).
- All bolted connections should be checked each time they are re-fitted.
- Off-road conditions are more rigorous. Check all bolted connections and your load more regularly.
- Ensure that your vehicle manufacturer’s GVM, and gross axle weights are not exceeded (refer to vehicle owner’s manual).

Torque Settings:

Unless stated otherwise in these instructions, all fasteners should be set to the following torque settings:



Note for Dealers and Fitters

It is your responsibility to ensure these fitting instructions are given to the end user or client. These instructions remain the property of Rhino-Rack Australia Pty. Ltd. and may not be used or changed for any other purpose than intended.

Warranty

Rhino-Rack product warranty covers the products mentioned on Page 6, Strap Mounting. Any products not listed on Page 6, Strap Mounting” is at the consumer’s own risk and the product warranty does not apply. RHINO-RACK DISCLAIMS ANY RISK AND LIABILITY WITH RESPECT OF SUCH FITMENT AND USE.

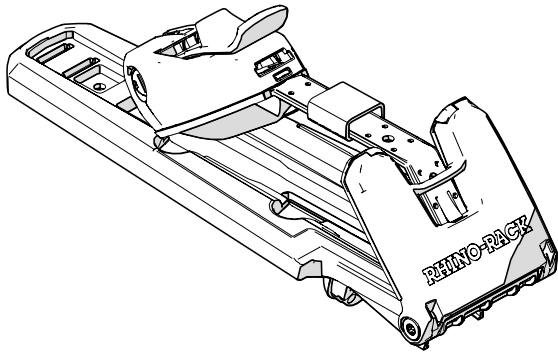
Join the herd!

We love creating our products for you and hope you love using them too. For complete peace of mind, register your product at www.rhinorack.com/warranty. This way, we can quickly help you with any future approved fitment warranty claims. And remember – never to forget to **Make Space For Adventure!**



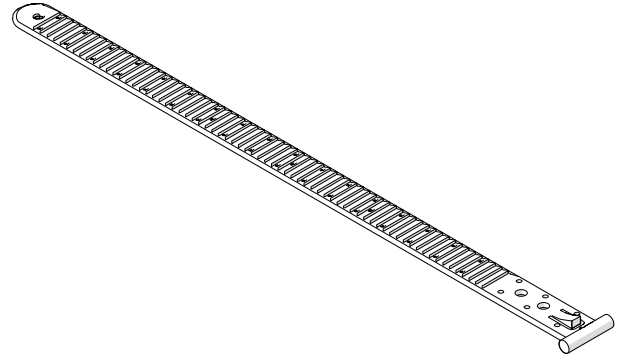
Parts List

Stow-It Holder



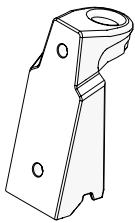
A x2

Toothed Strap



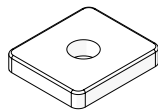
B x2

Stow-It Adapter



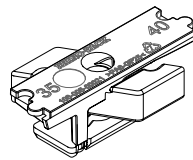
C x2

M6 20 x 20mm Plate Washer



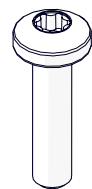
D x4

Zwifloc



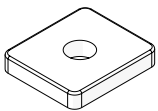
E x4

M6 x 25 Torx Pan Head Screw



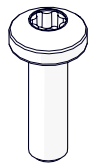
F x4

M6 Nut 24 x 21mm



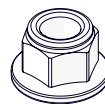
G x4

M6 x 20 Torx Pan Head Screw



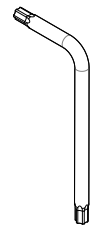
H x4

M6 Nyloc Flange Nut



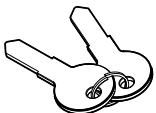
I x4

Torx T30 L-Key



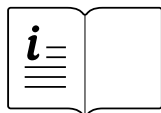
J x1

Key



K x1

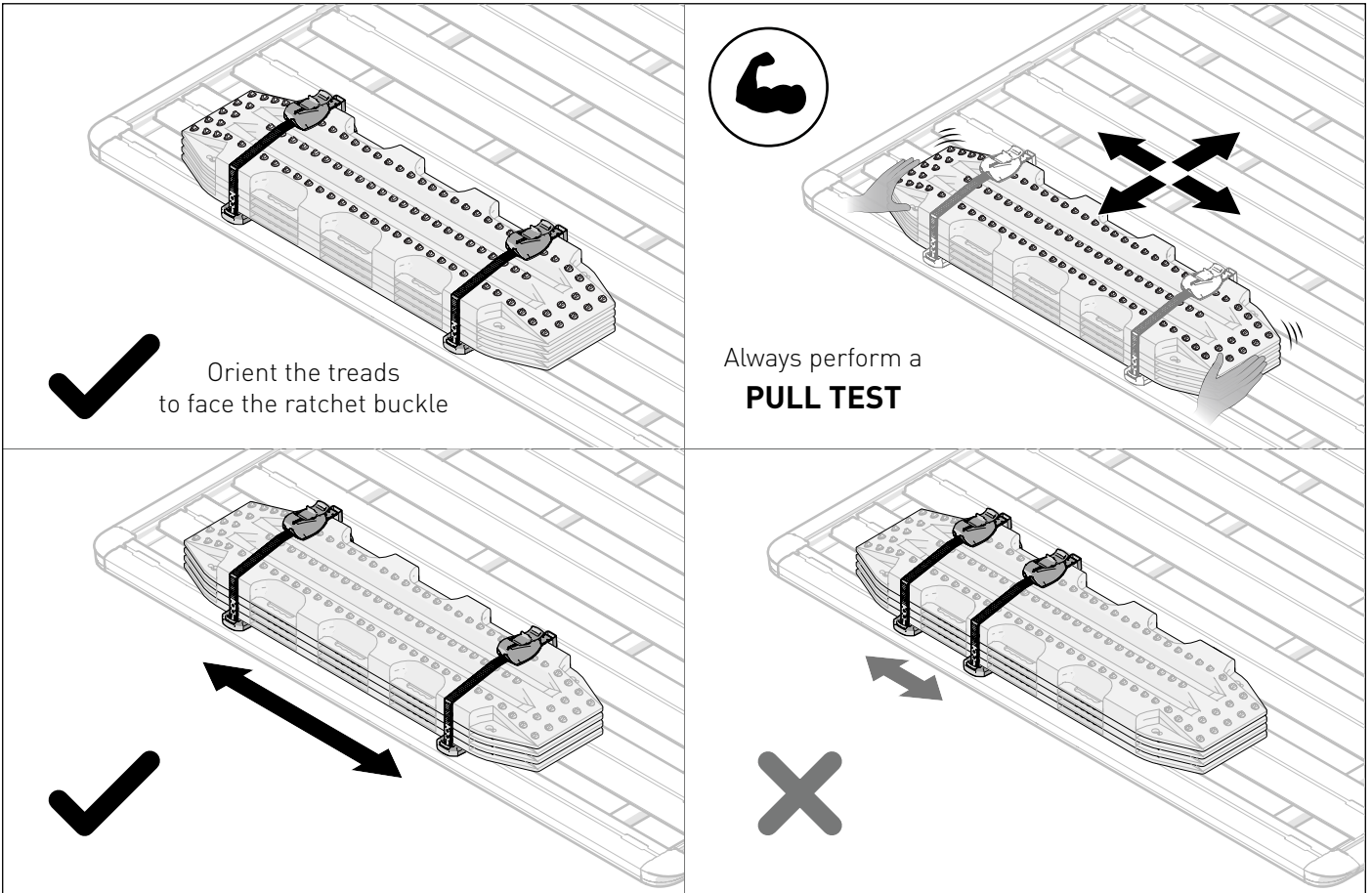
Fitting Instruction



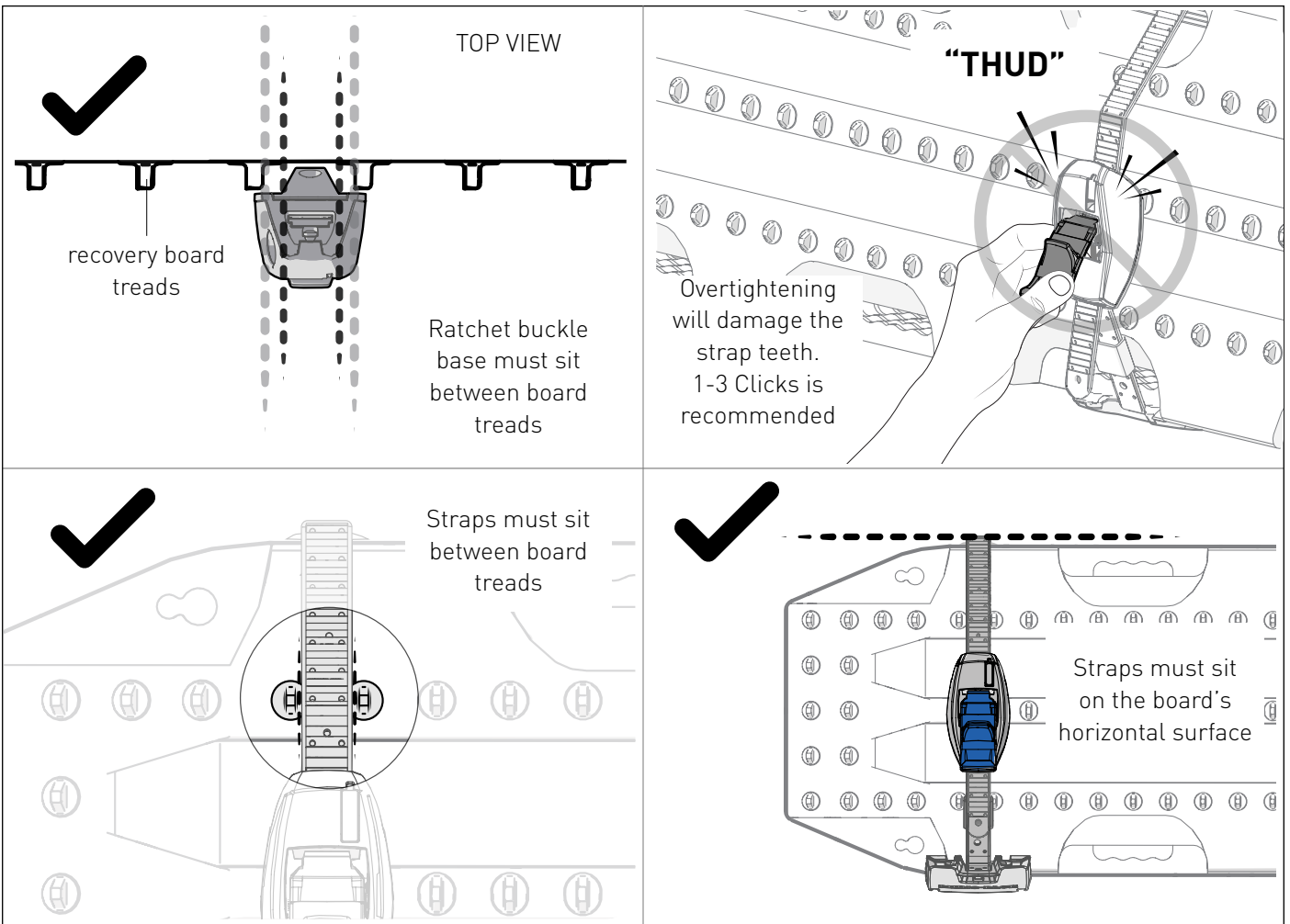
L x1

TOOLS REQUIRED:

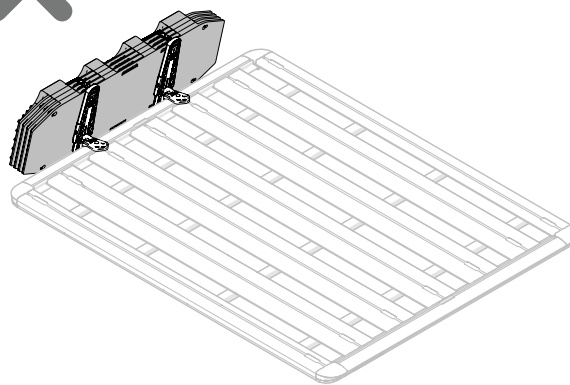
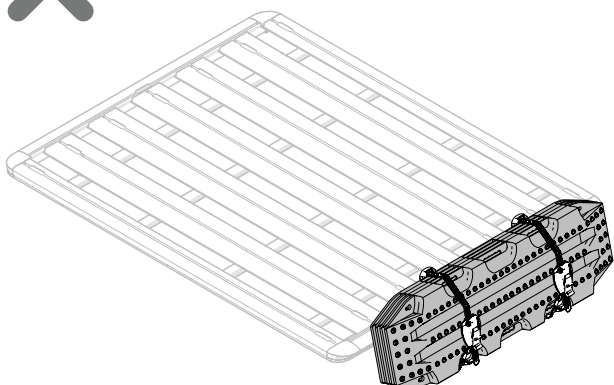
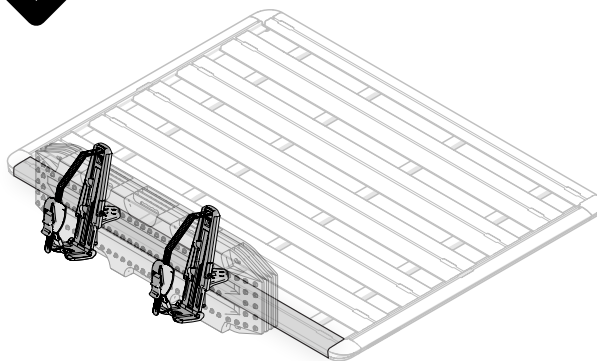
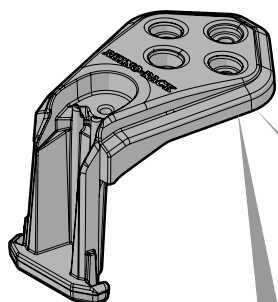
- T1** - Tape Measure
- T2** - Step Ladder
- T3** - Torque Wrench



STOWING GUIDELINES:



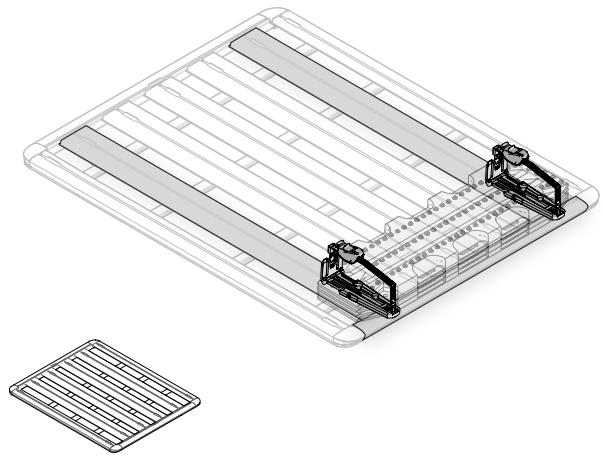
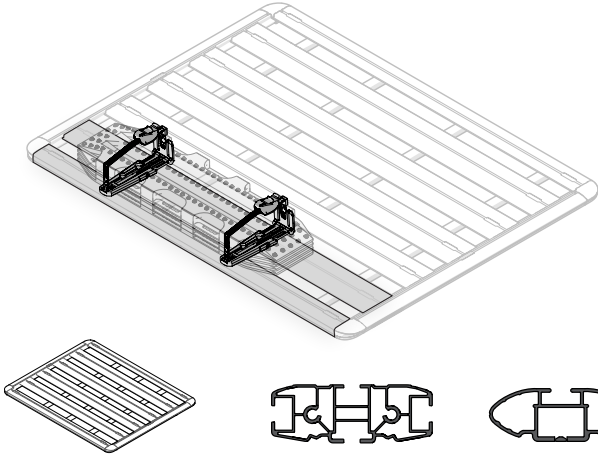
When mounting with Stow It brackets, mount only to the sides of the roof rack, **NOT the FRONT or REAR**



HORIZONTAL MOUNTING

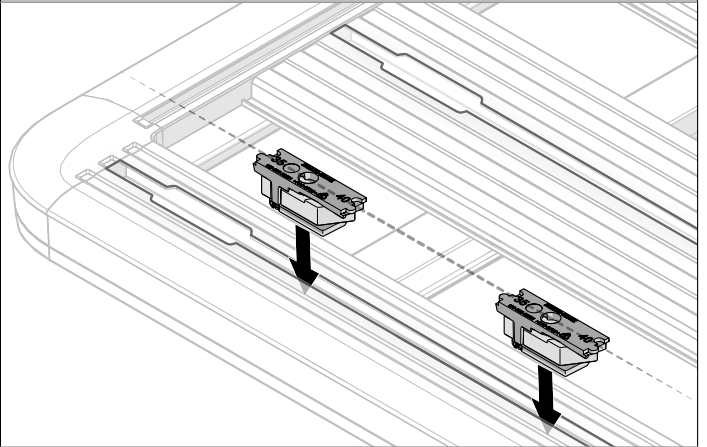
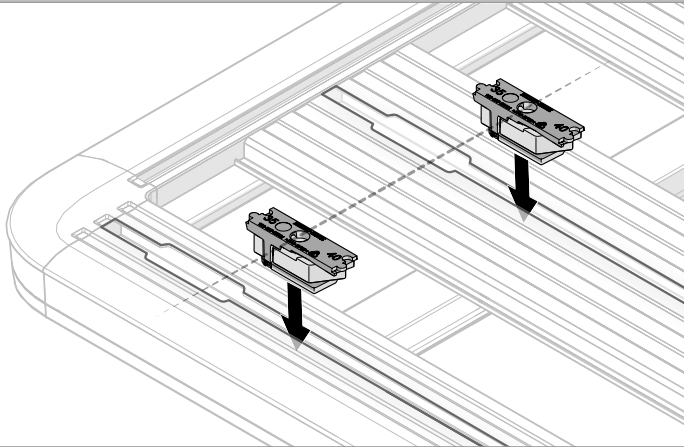
SIDE MOUNTING

FRONT OR REAR MOUNTING



MOUNTING CHANNEL DIRECTION

MOUNTING CHANNEL DIRECTION

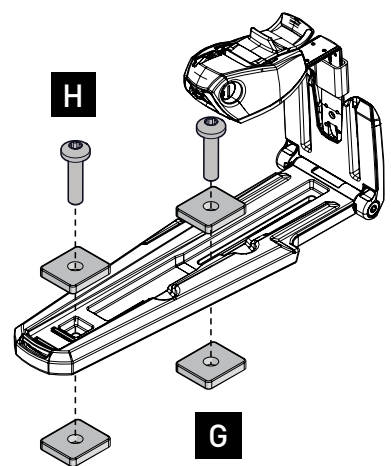
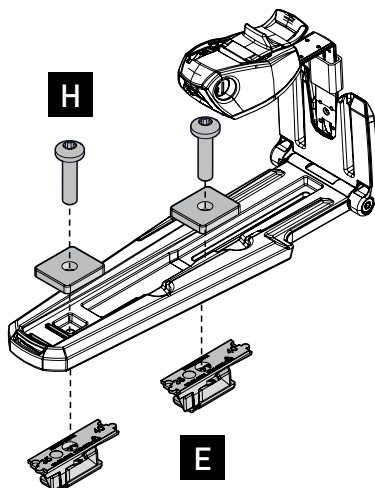
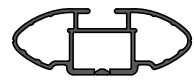
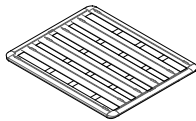


HORIZONTAL MOUNTING HARDWARE COMPATIBILITY TABLE

PIONEER PLATFORM

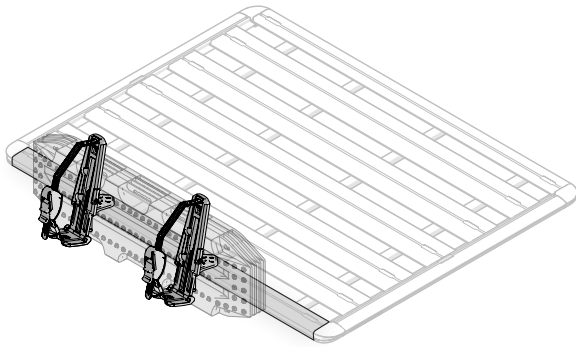
RECONN DECK BAR

VORTEX BAR

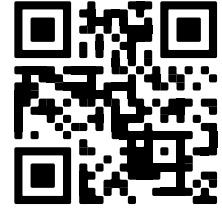
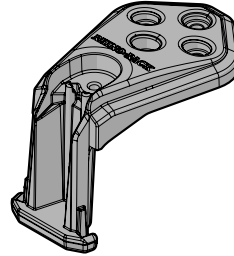


VERTICAL MOUNTING

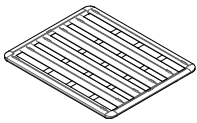
SIDE MOUNTING



Stow-It Base Bracket required



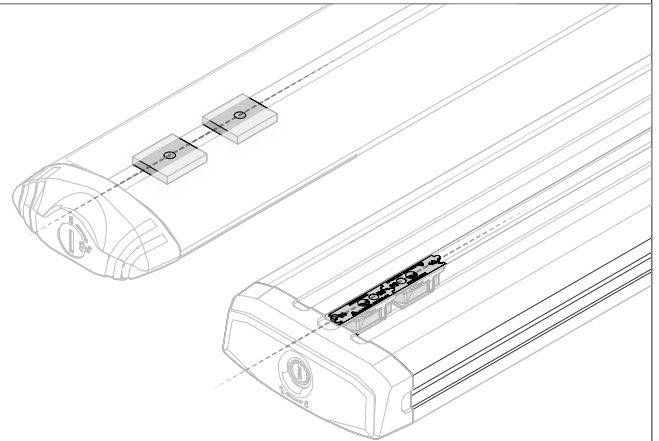
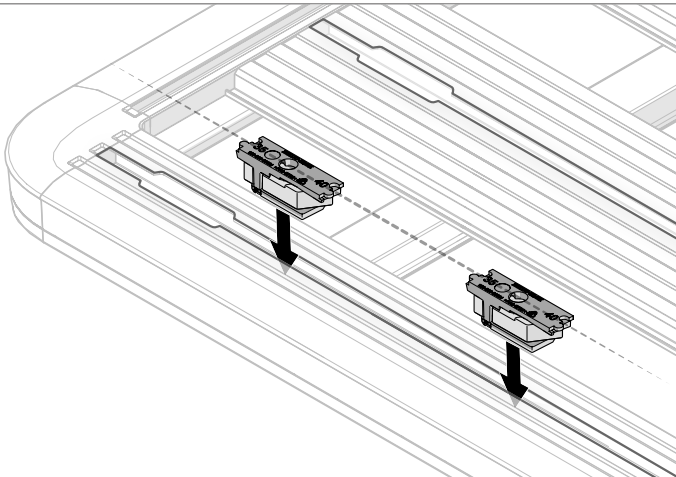
<https://www.rhinorack.com/en-au/stow-it>



MOUNTING CHANNEL DIRECTION

TRANVERSE - PLATFORMS

IN-LINE - CROSS BARS

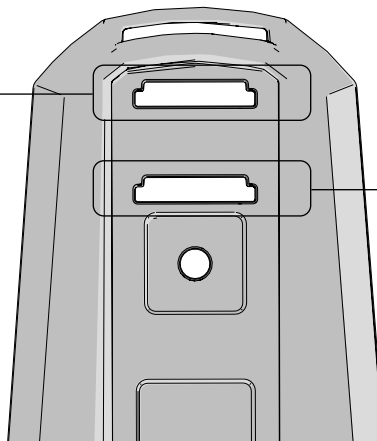


STRAP MOUNTING

FOR OTHER RECOVERY BOARDS, USE THE NEAREST STRAP SLOT

USE FOR

- Maxtrax Recovery Tracks



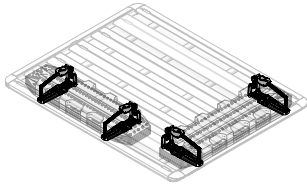
USE FOR

- Tred Recovery Board
- Rhino Rack Aluminium Folding Ladder (RAFL)

1

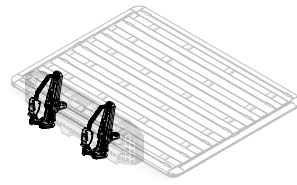
Use the mounting table to prepare and plan your desired mounting.

HORIZONTAL MOUNTING



OR

VERTICAL MOUNTING

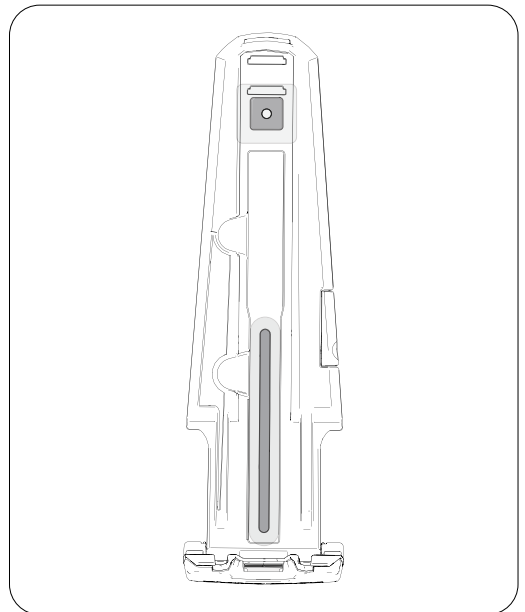
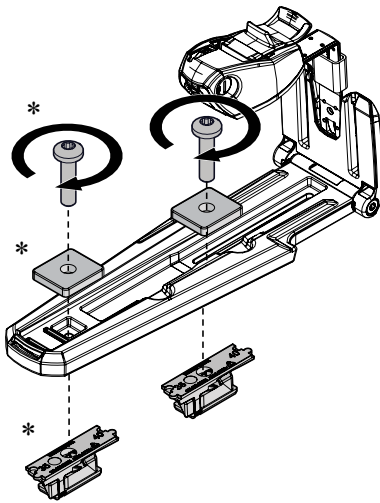
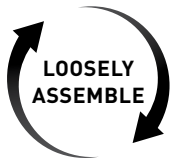


FOR HORIZONTAL MOUNTING (For VERTICAL mounting, skip to Step 5)

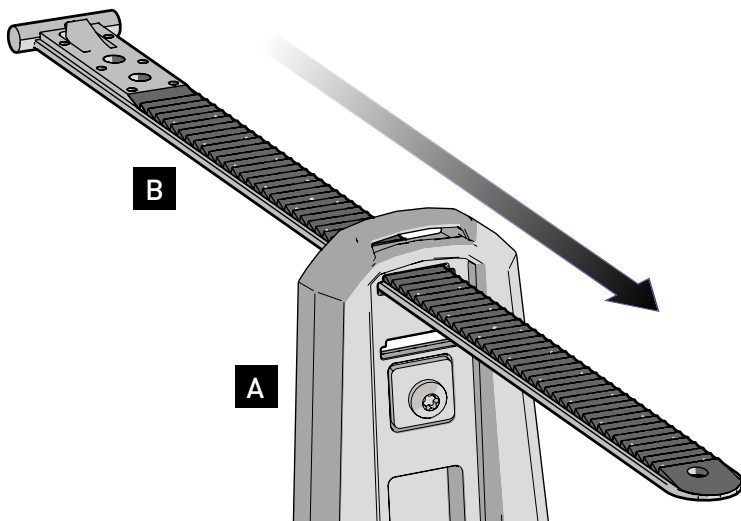
2 Refer to the "Horizontal Mounting Hardware Compatibility" table to assemble the correct hardware for your roof rack system.

EXAMPLE ONLY:

*Suitable For Platforms & Recon Deck Bars



3



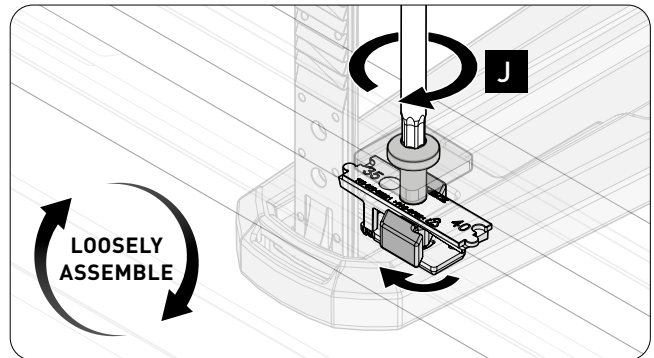
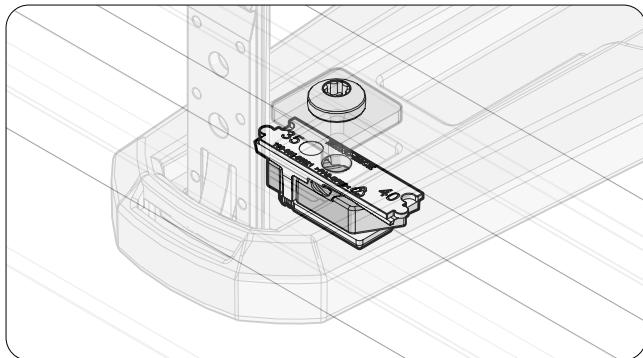
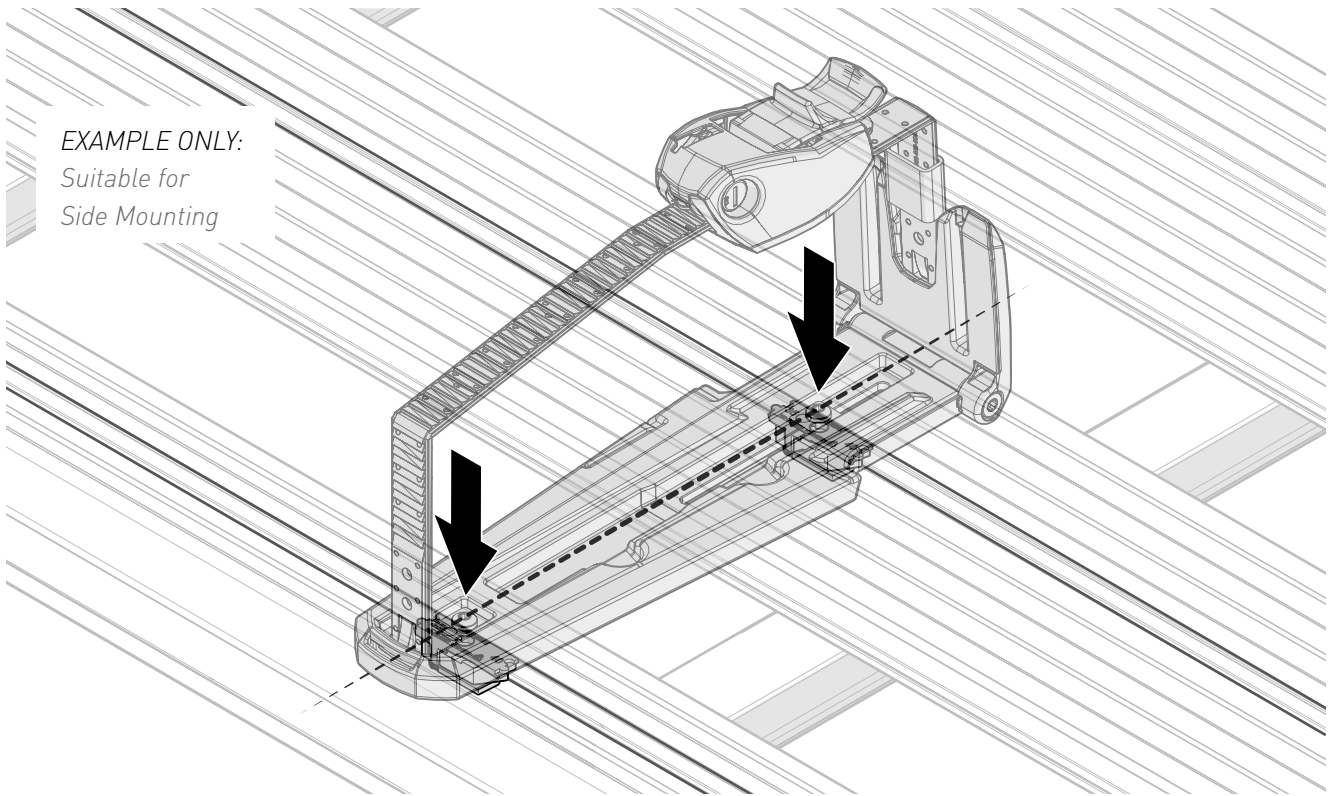
"CLICK"



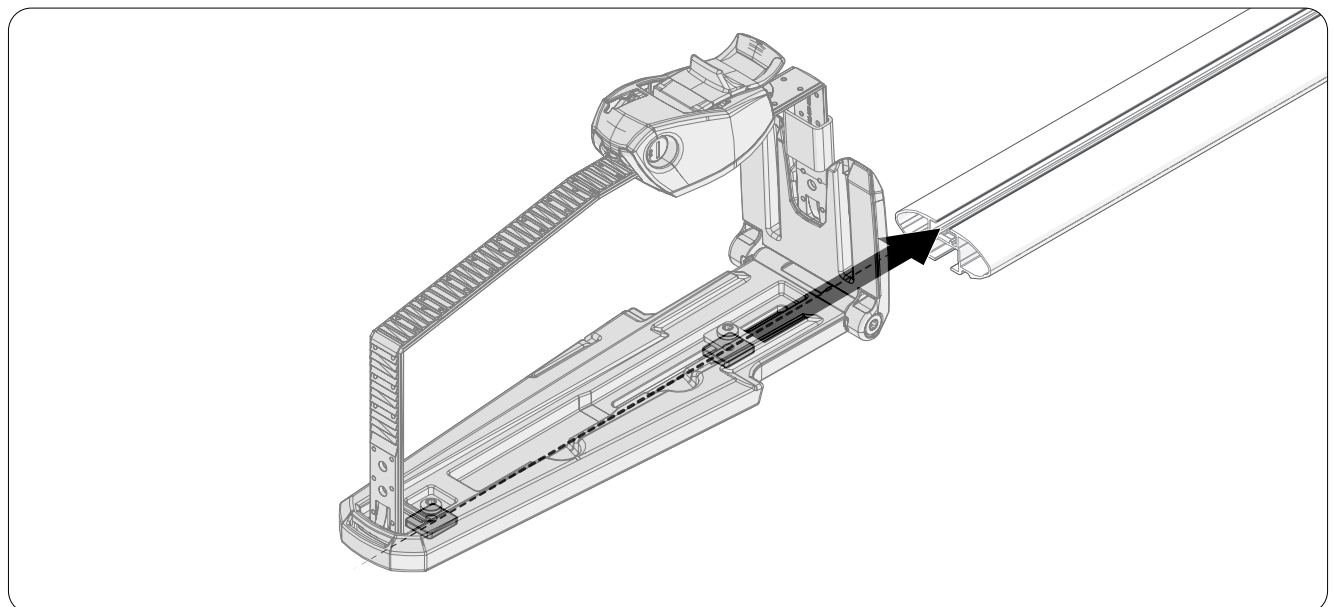
4

Refer to the “**Horizontal Mounting**” table on page 5 to install the assembly facing the intended direction

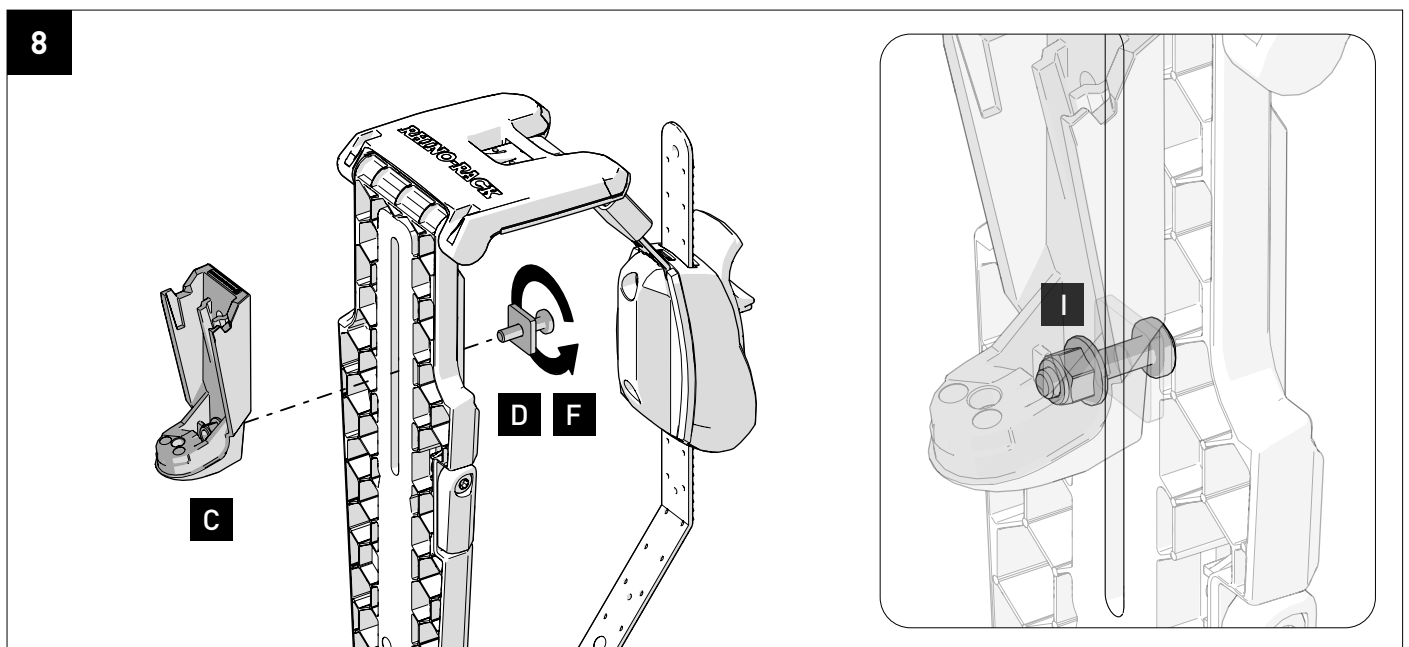
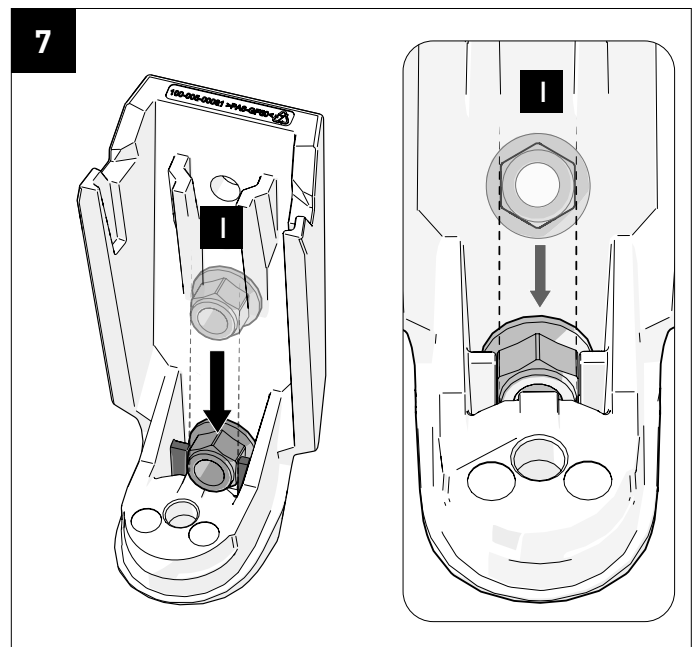
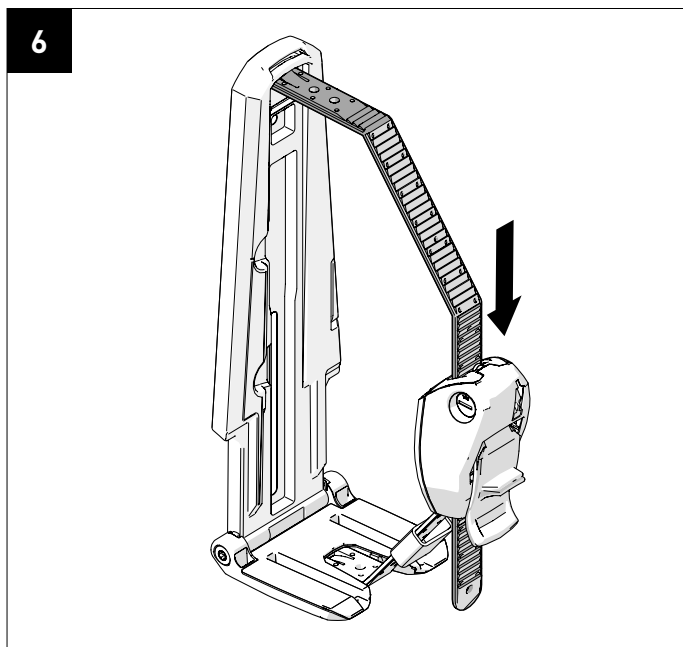
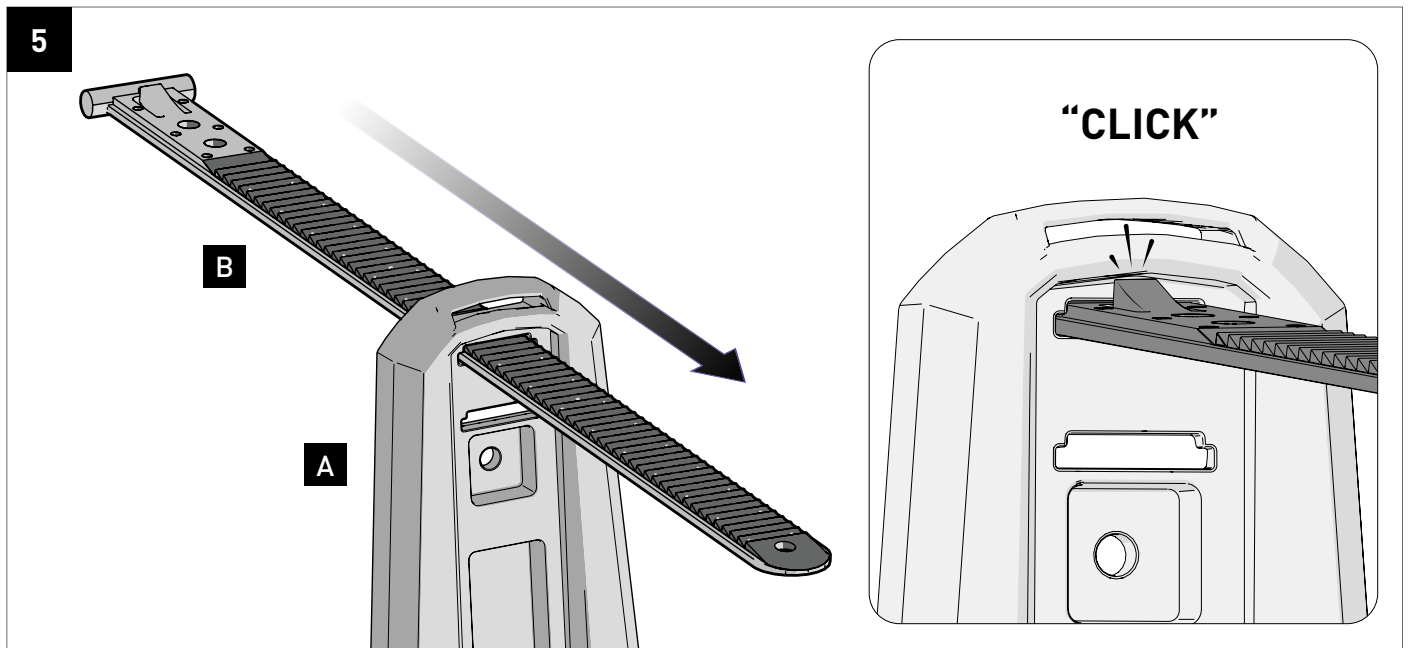
*EXAMPLE ONLY:
Suitable for
Side Mounting*



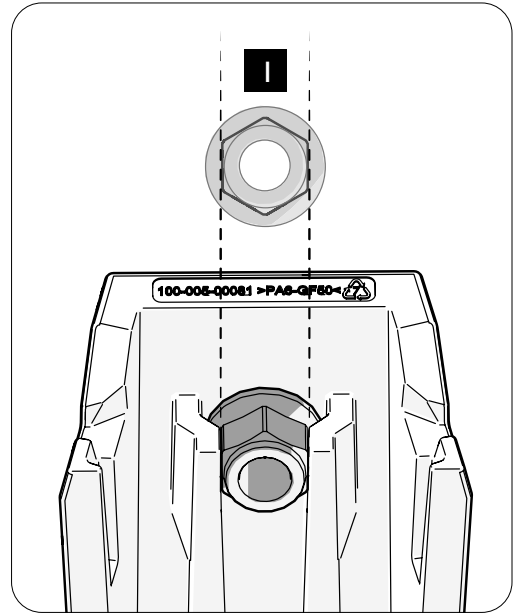
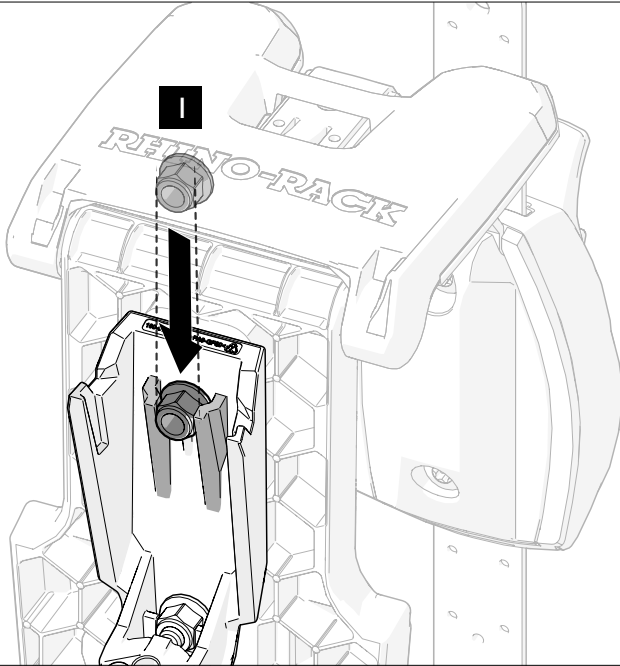
FOR **VA BARS**, SLIDE THE ASSEMBLY INTO THE CROSSBAR CHANNEL



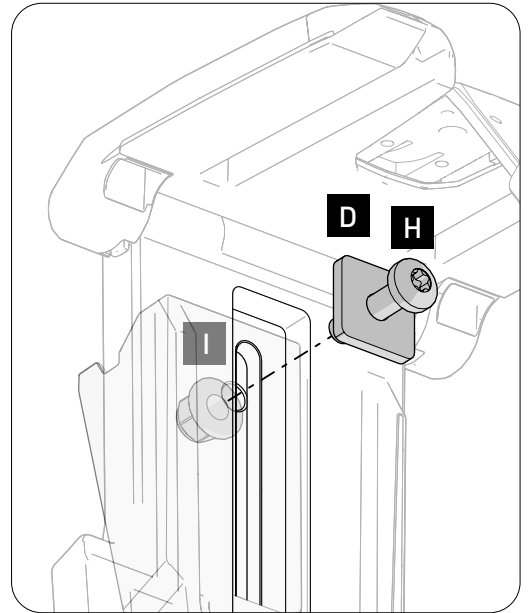
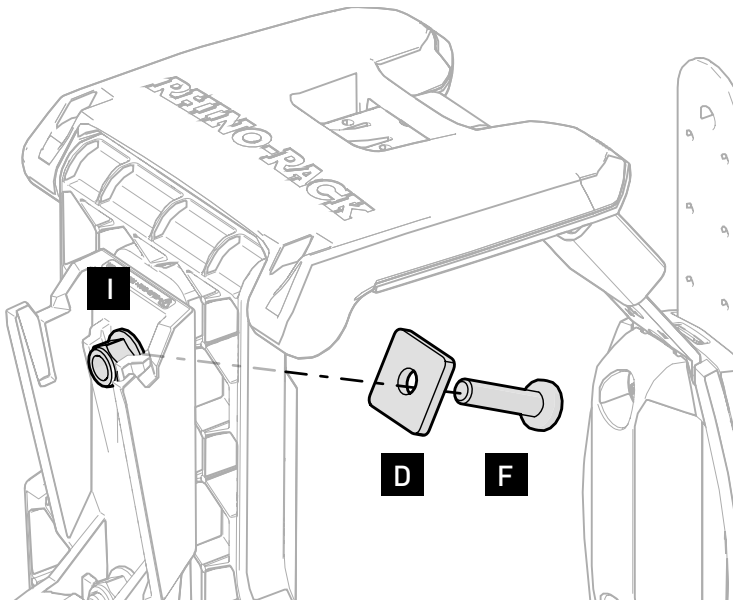
FOR **VERTICAL MOUNTING** (Uses Stow-It Brackets)



9

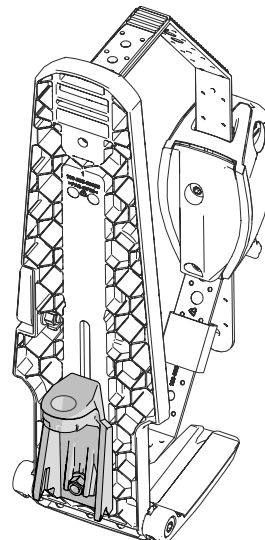
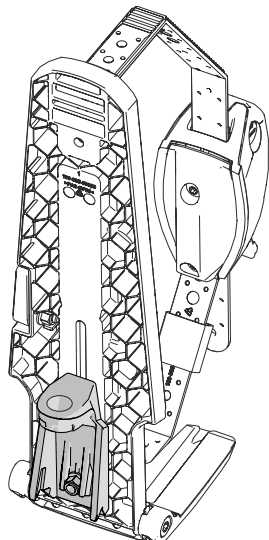


10

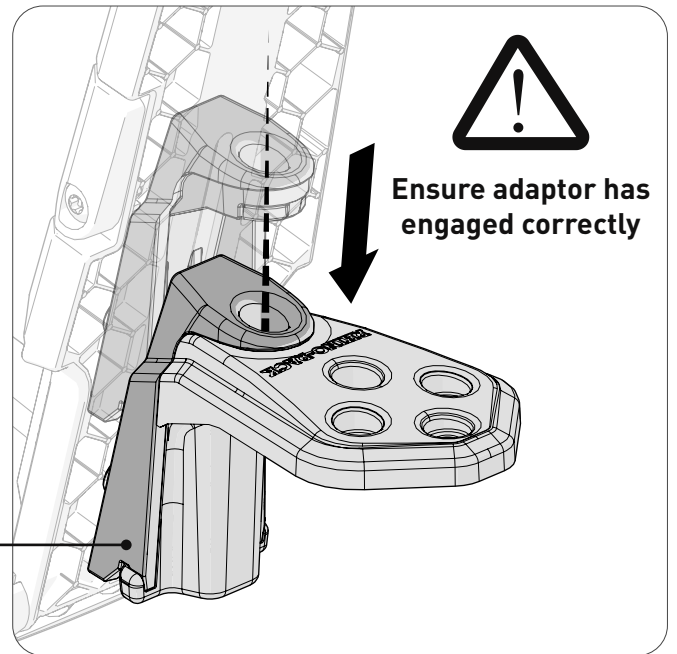
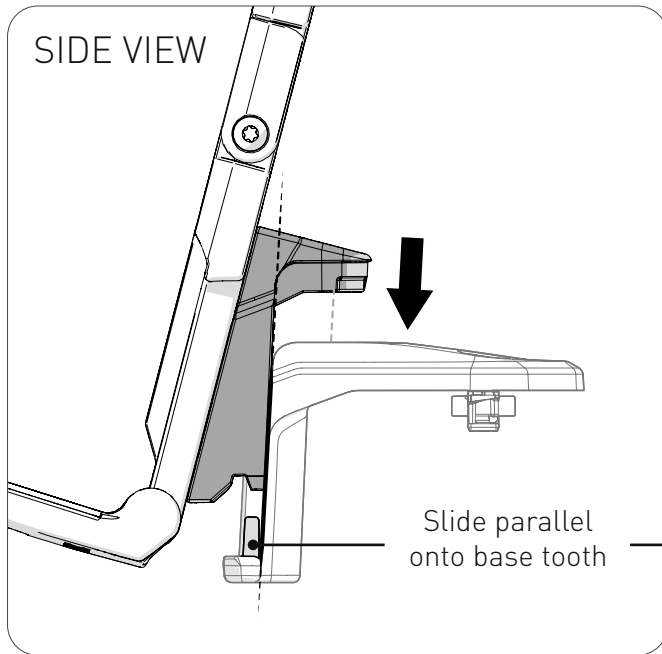
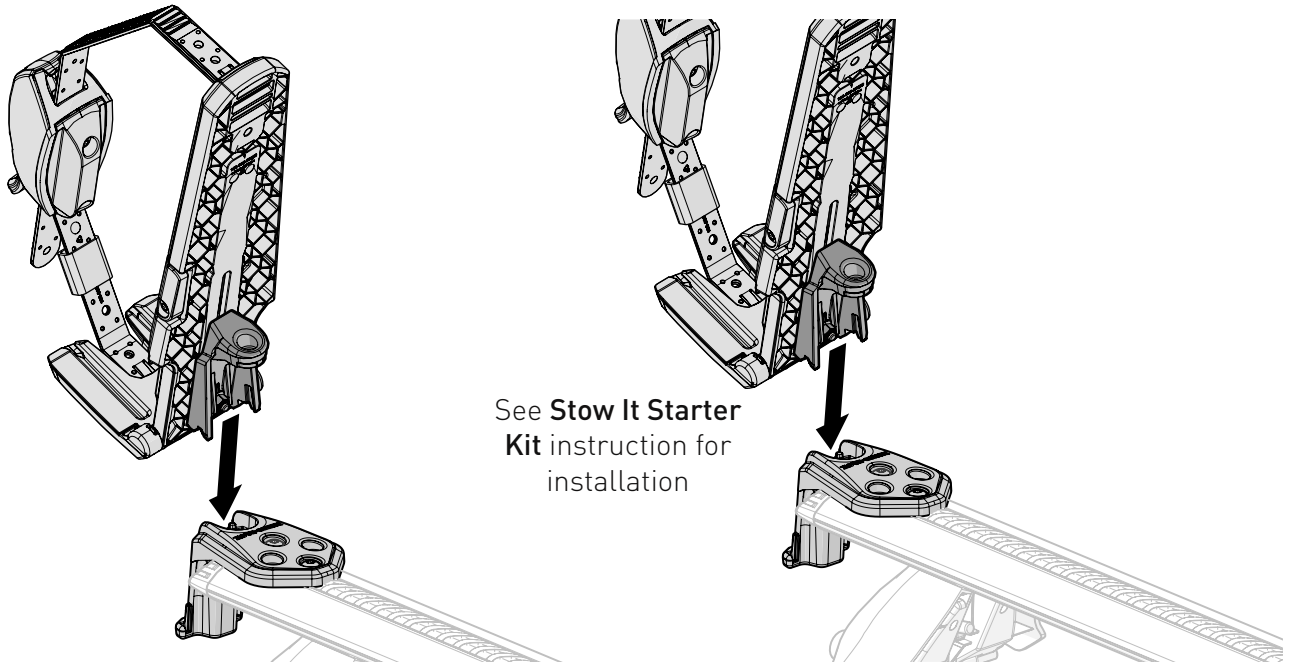


11

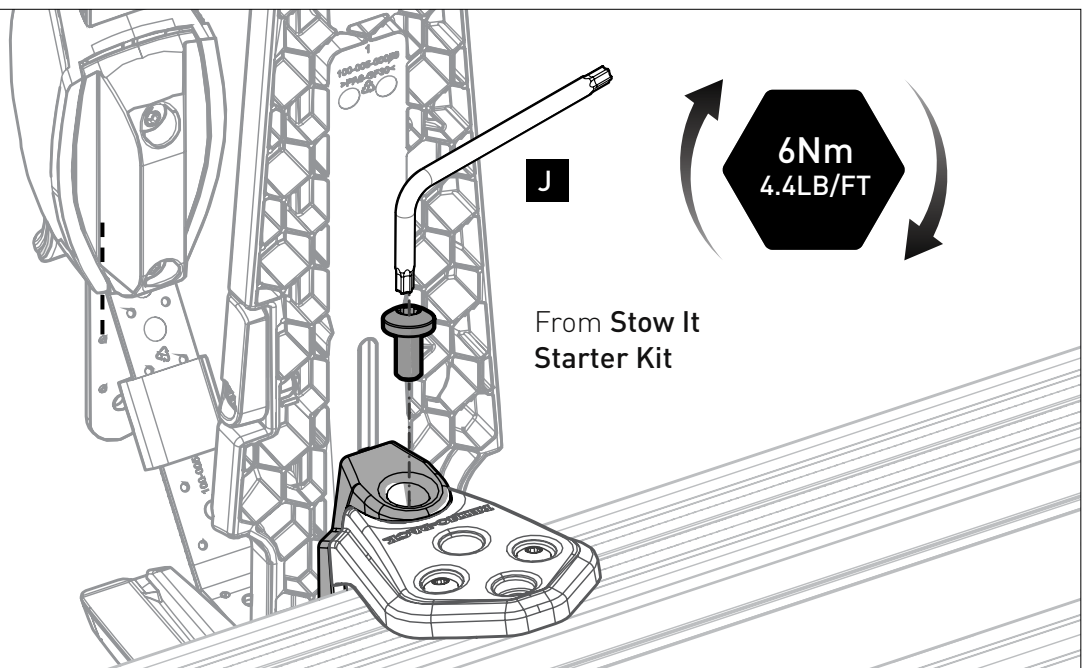
Repeat Steps 5 - 10 to other Stow-it Holder



12

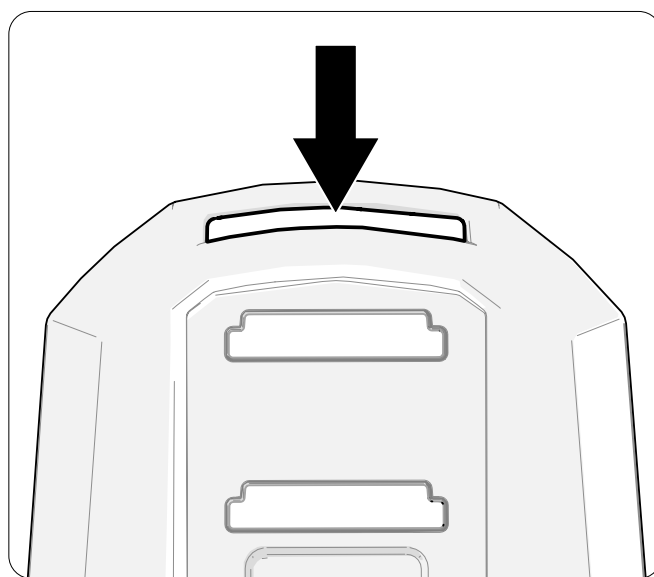
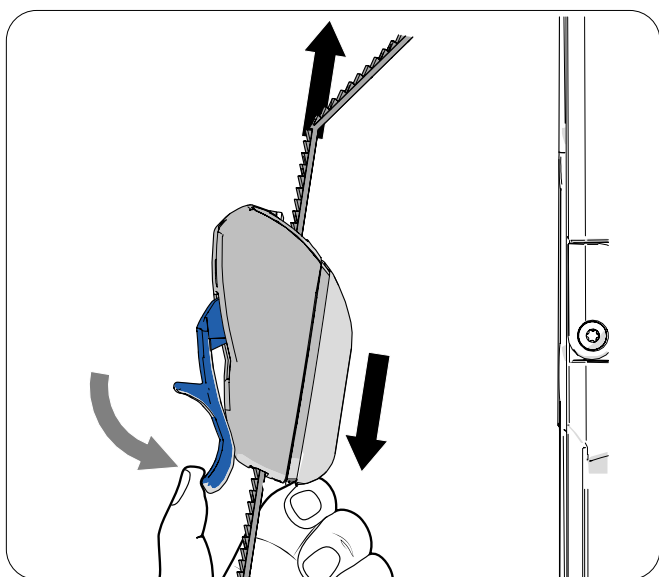
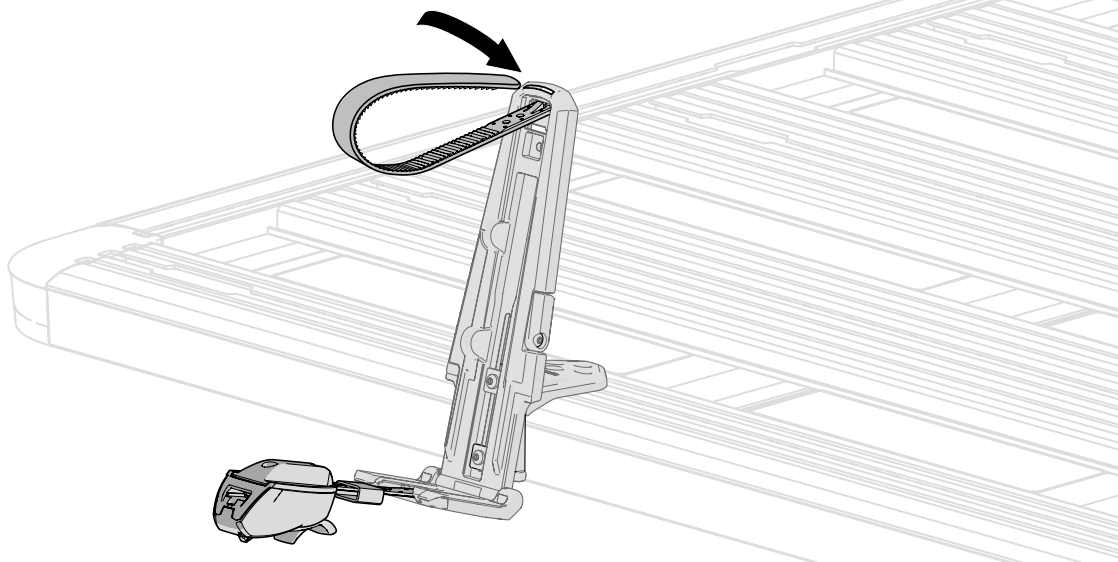


13



14

Remove straps from ratchet buckle and place into carrier slot.



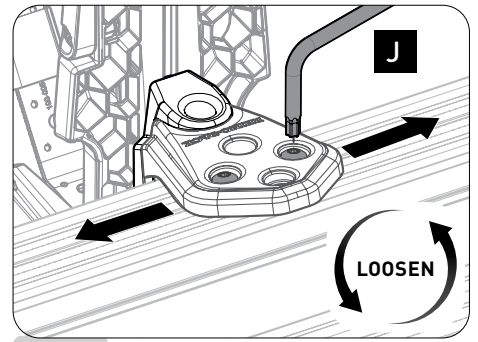
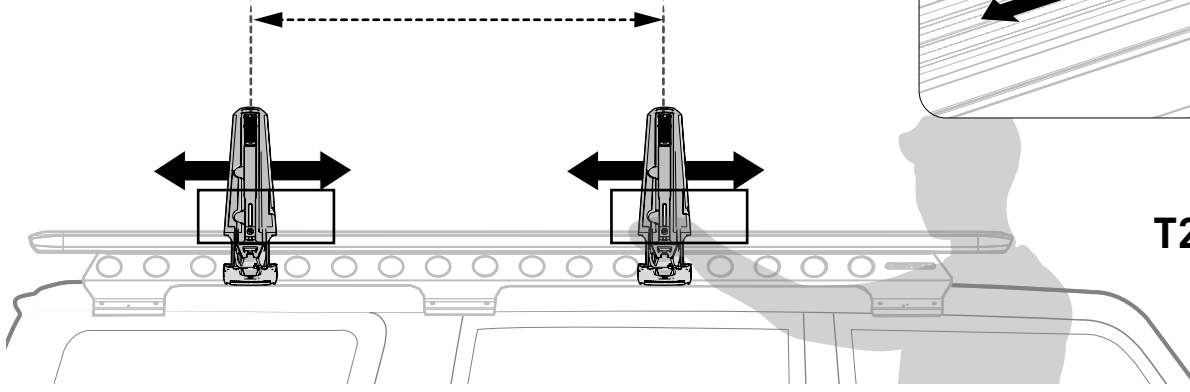
FOR CROSSBARS

After removing the straps from the buckle , proceed to Step **17**

FOR PLATFORMS

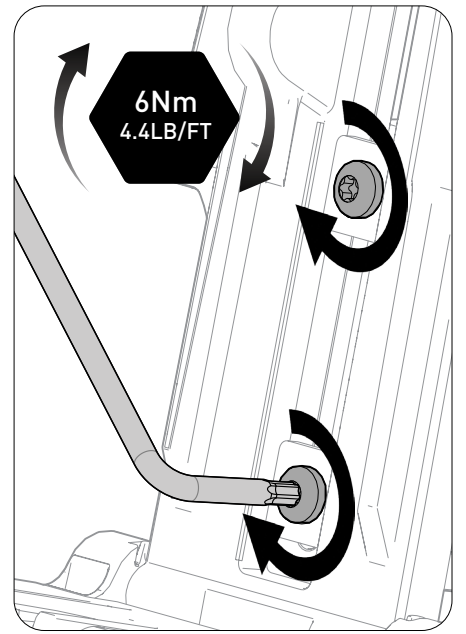
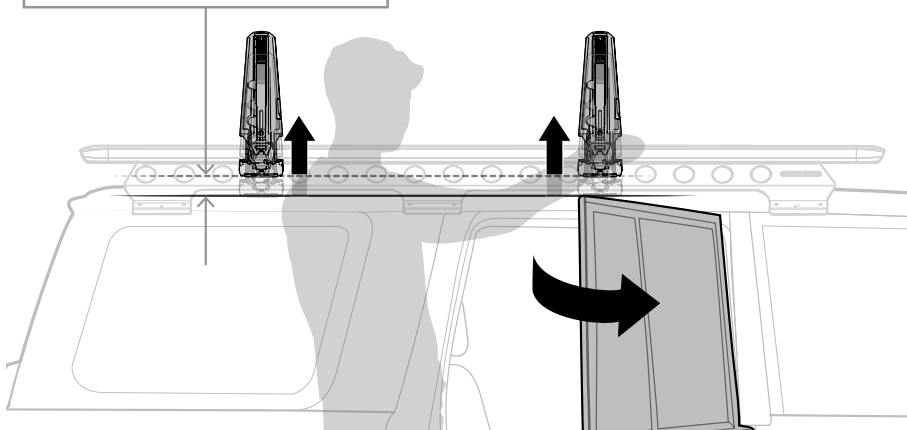
15 Adjust to the recovery boards to the fixing location.

RECOMMENDED
MIN: 350MM - **MAX: 750MM**
MIN: 13 3/4" - **MAX 29 1/2"**

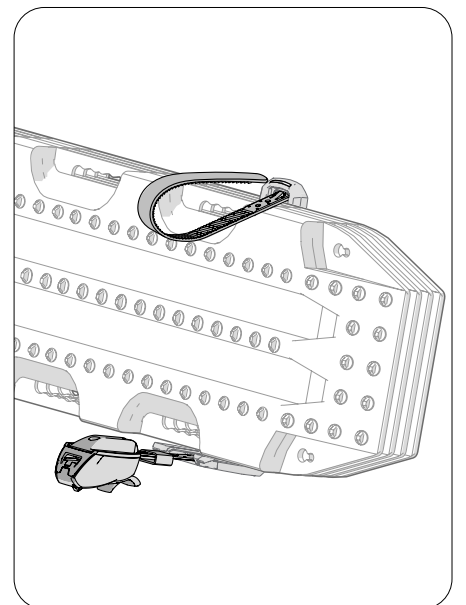
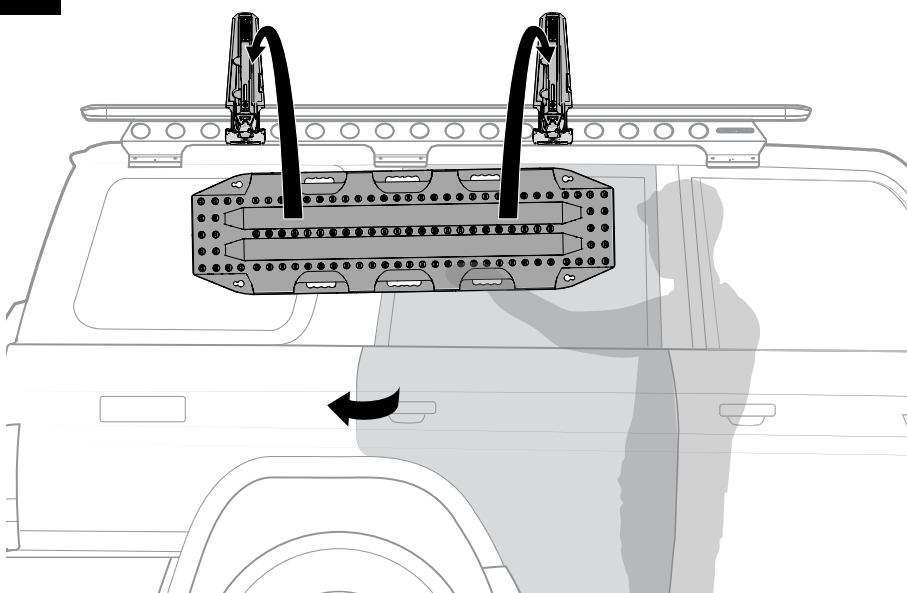


16 Raise to clear the doors

MIN. CLEARANCE
10mm
3/8"



17

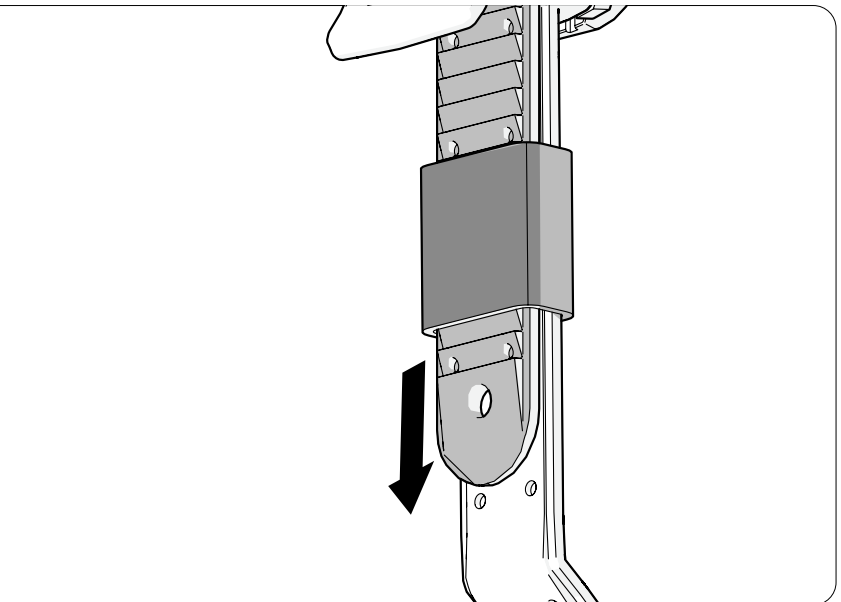
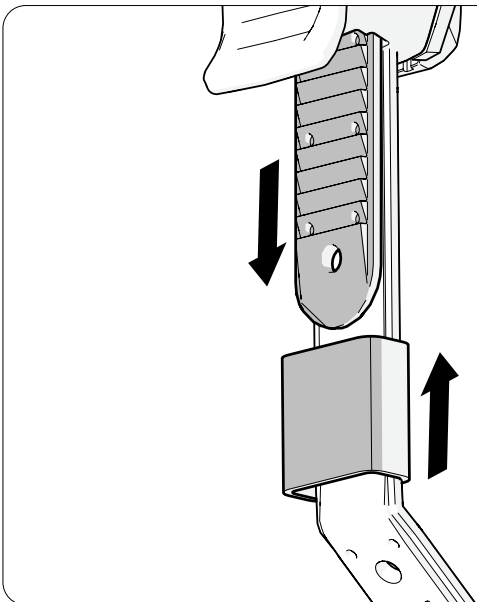
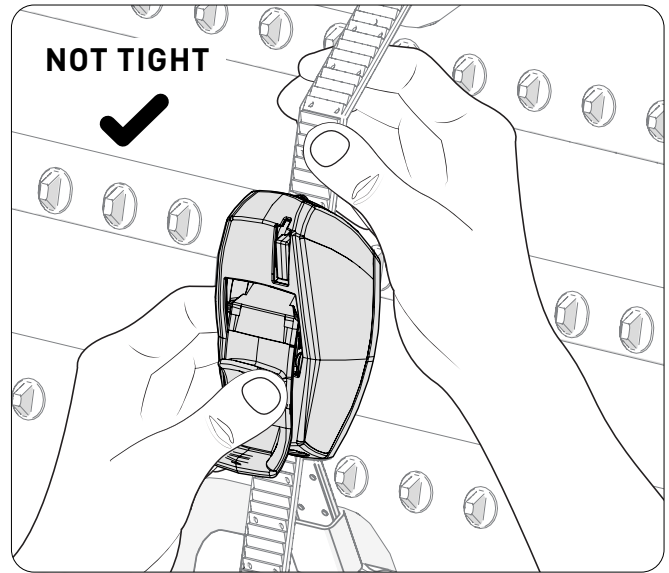
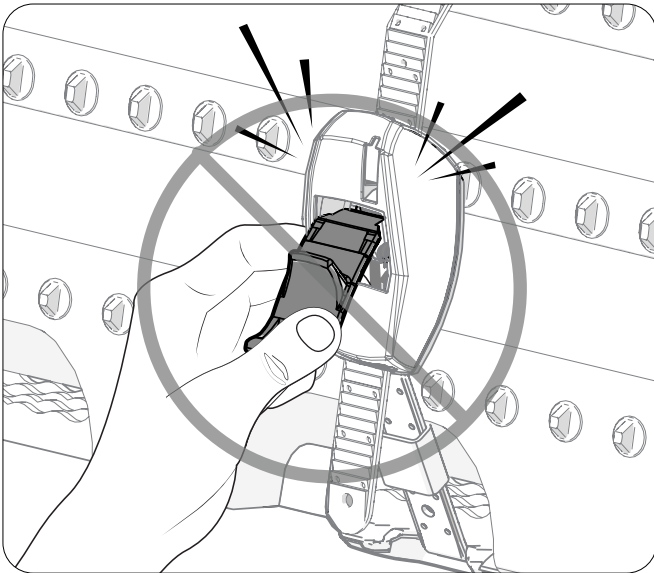
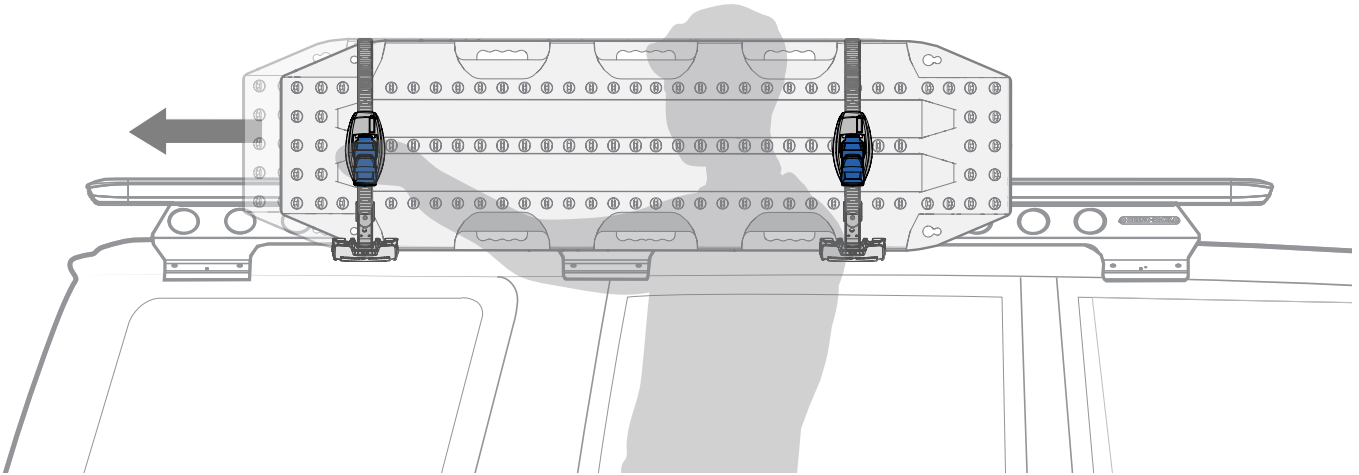


18

Loosely feed the strap into the ratchet buckle and through the strap retainer
Ensure the boards can still slide back and forth

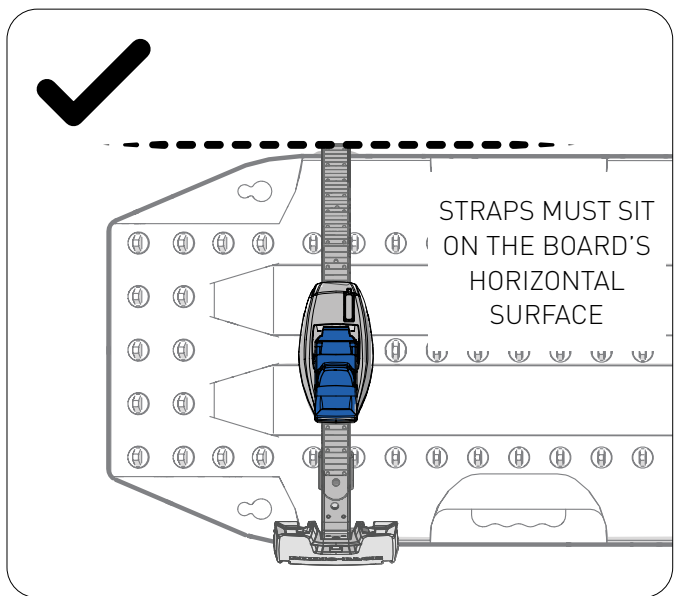
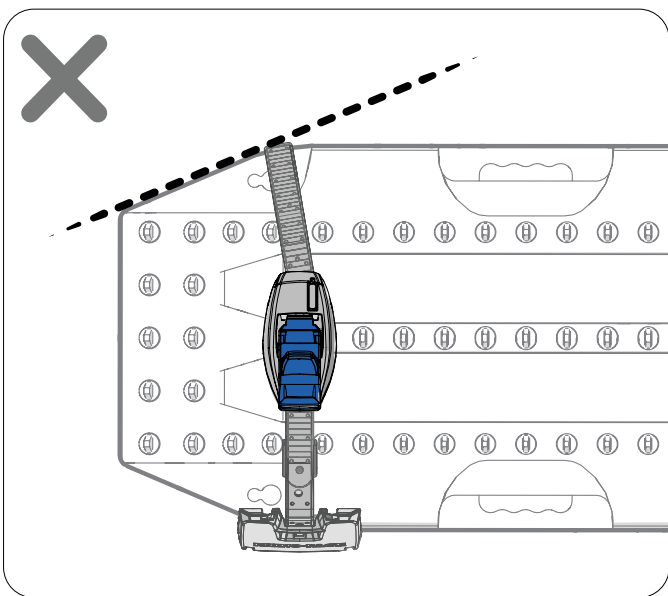
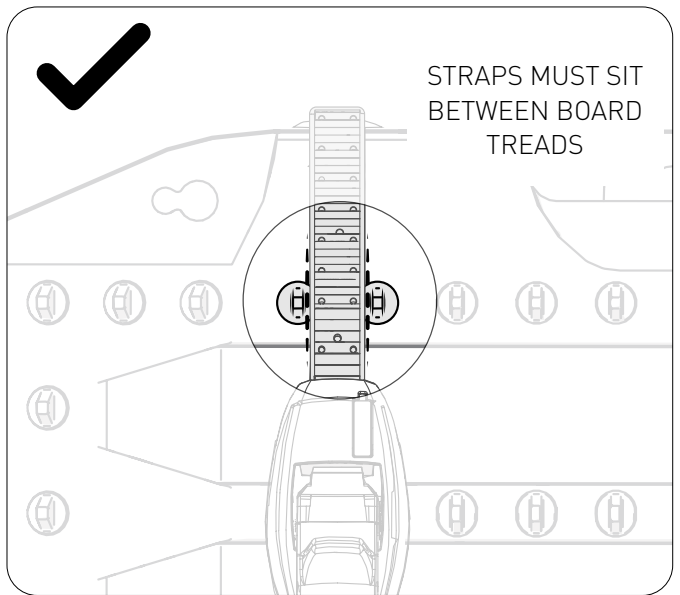
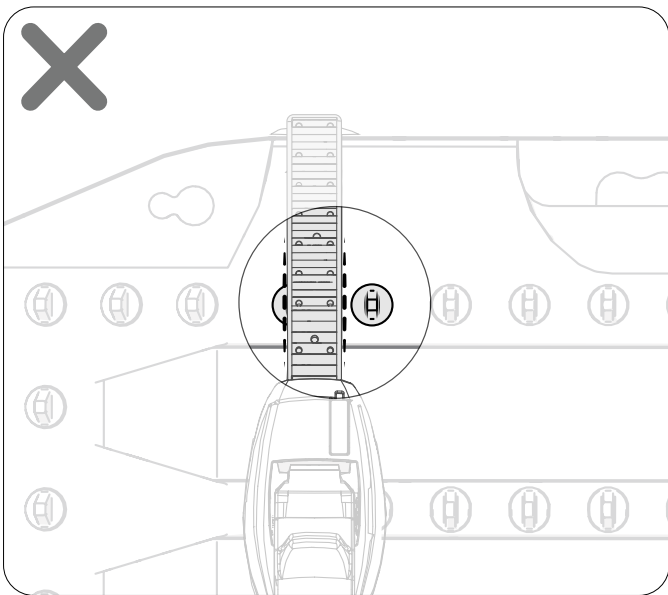
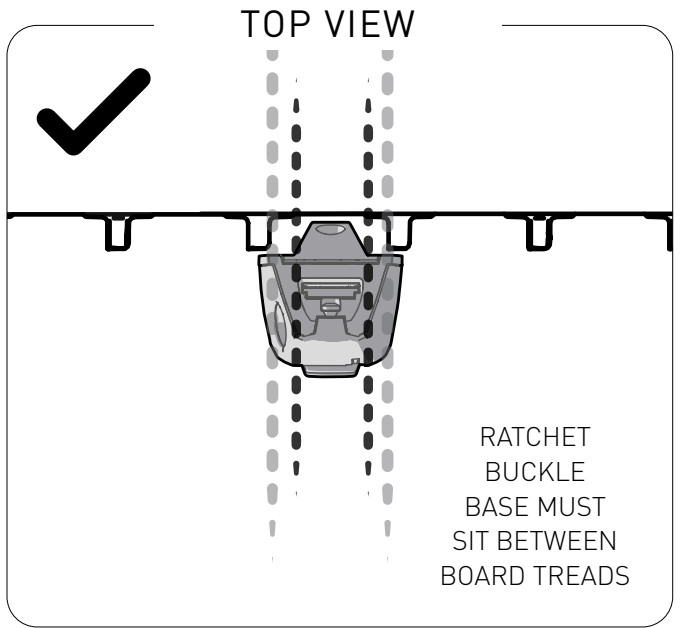
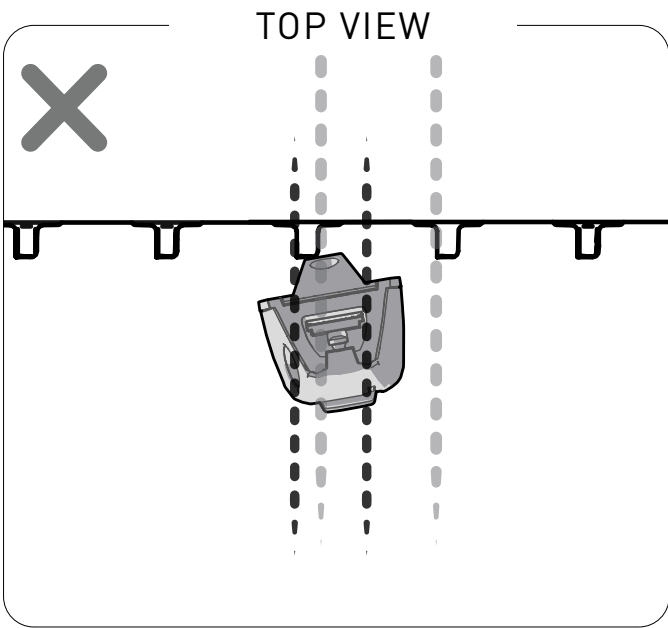


Proceed to the next step
to adjust before tightening

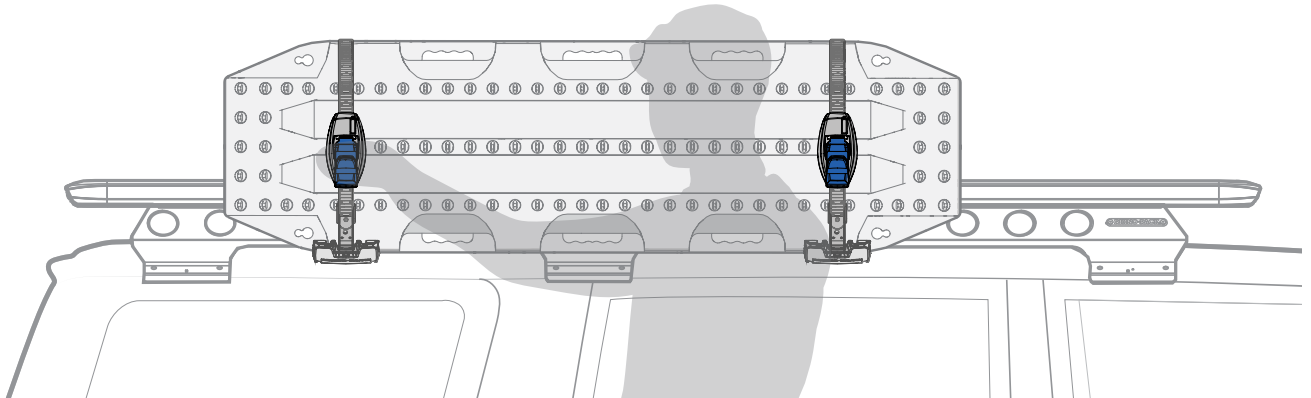


STOWING NOTES

19

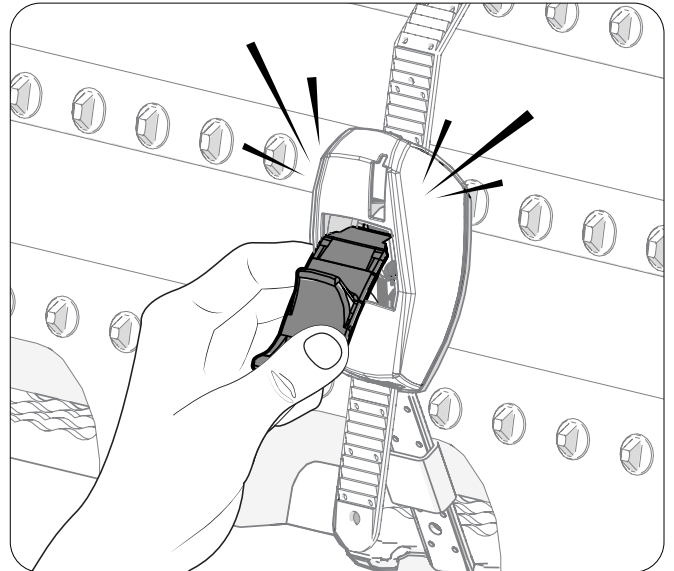
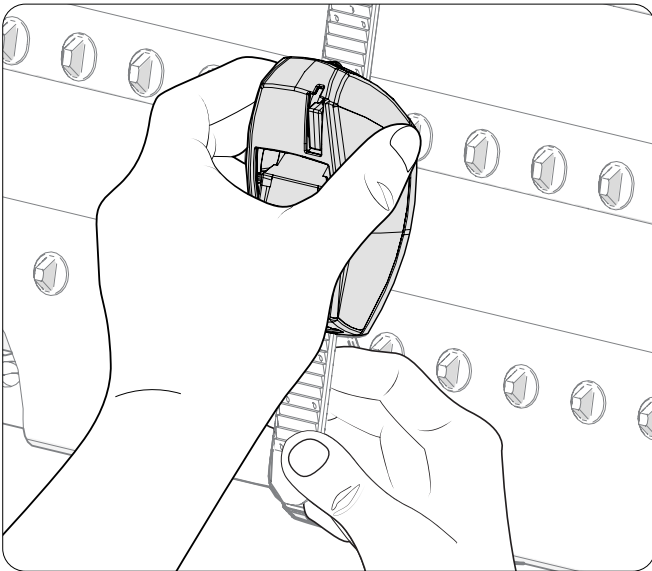


20 Tighten recovery boards

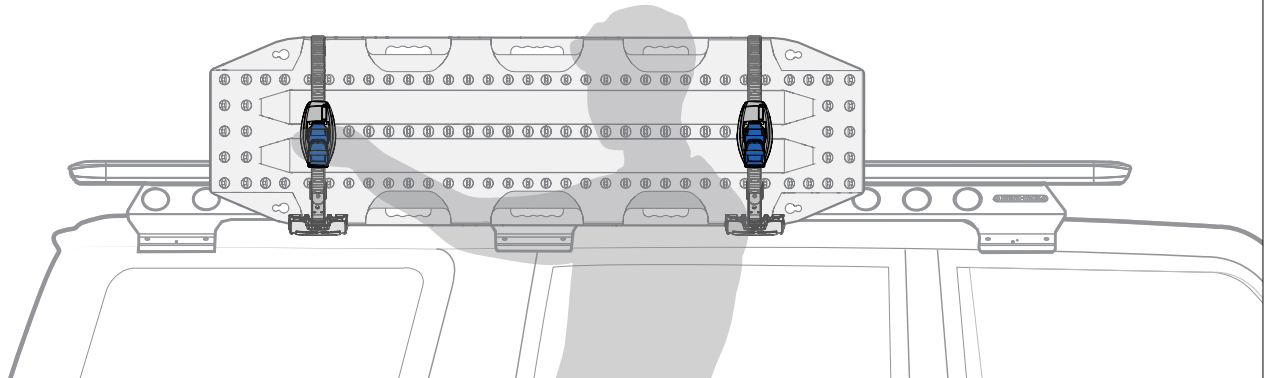


Feed the strap into the ratchet buckle as tight as possible without using the buckle lever

Then use the buckle lever to tighten **1 - 3 'CLICKS' ONLY**



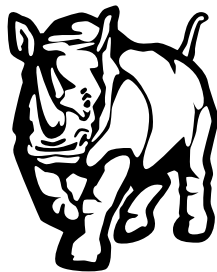
21



NOTES

A large, empty rectangular box with a thin black border, occupying most of the page below the 'NOTES' header. It is intended for the user to write their notes.

NOTES



RHINO-RACK®

MAKE SPACE FOR ADVENTURE

RHINORACK.COM

Rhino-Rack AUSTRALIA
22A Hanson Pl,
Eastern Creek, NSW, 2766

Rhino-Rack USA
19822 E 22nd Ave,
Aurora, CO, 80011