

PLU: 673440  
CODE: TFS7543A  
Manufactured and packaged for  
SRGS PTY LTD  
ABN 23 113 230 050  
6 Coulthards Avenue Strathpine,  
QLD 4500, Australia  
MADE IN CHINA

**4x4 ACCESSORIES**

**+ TILTED FRIDGE SLIDE  
SMALL**

**Instruction Manual**



## + Part List


















### + General Information

External size: L79.7 x W 57.6 x H35.9cm

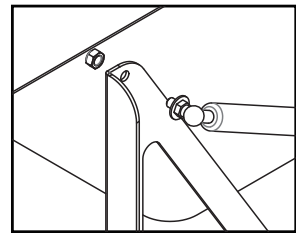
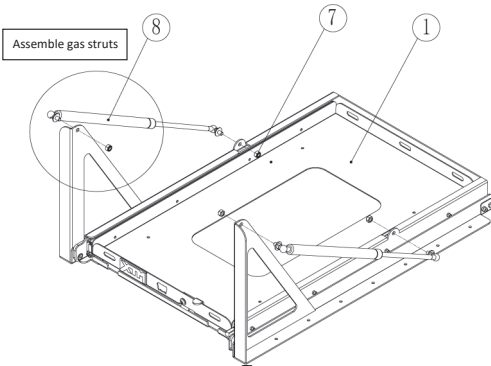
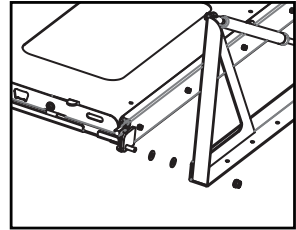
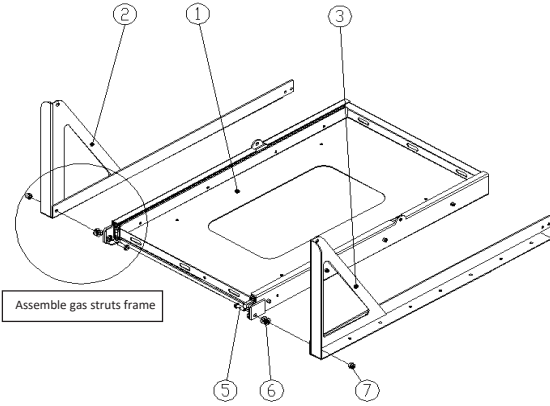
Internal tray size: L75 x W 43 x H3.4cm

Net weight: 20.5kg

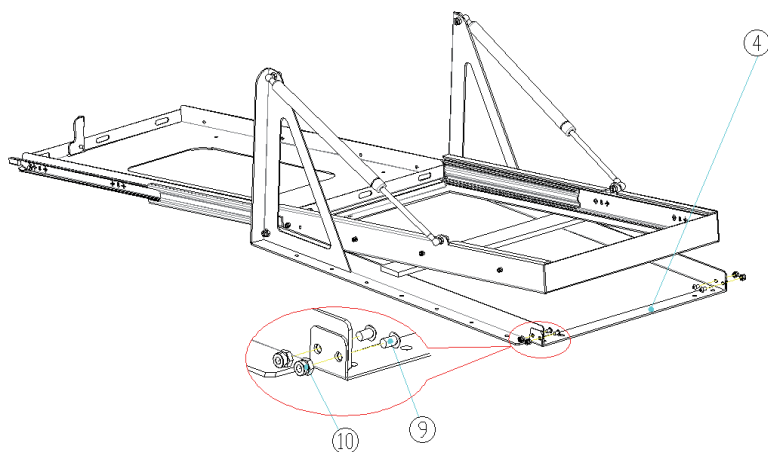
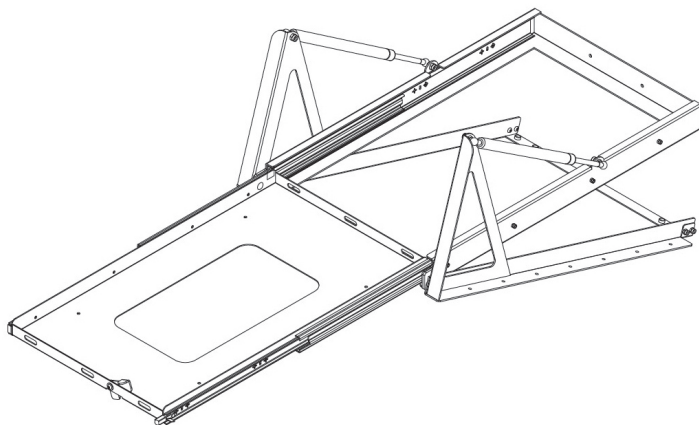
MOUNTING KIT FOR ASSEMBLY			
No.	Description		Q'ty
①	Main frame		1
②	Left gas struts frame		1
③	Right gas struts frame		1
④	Rear cross rib		1
⑤	M8x25mm bolt		2
⑥	M8x19mm Nylon washer		4
⑦	M8 Nyloc nut		6
⑧	Gas struts		2
⑨	M6x12mm bolt		4
⑩	M6 Nyloc nut		4
MOUNTING KIT FOR INSTALLATION			
⑪	M6x20mm Bolt		6
⑫	Tee nut		6
⑬	M6 washer		6
⑭	M6 Nyloc nut		6
⑮	Nylon strap		4

# + Assembly for tilted fridge slide

Step 1: Using the M8 x25mm bolts (5) and M8x19mm Nylon washers (6) & M8 Nyloc nuts (7) to assemble the left and right gas struts frame and gas struts.

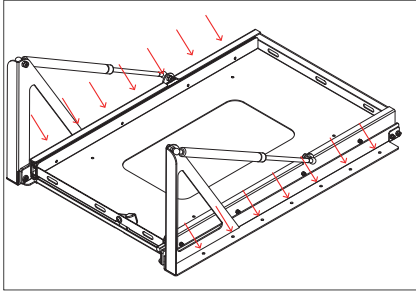


Step 2: Lift the body frame up to assemble the rear cross rib by using M6x12mm bolts (9) and M6 Nyloc nuts (10).

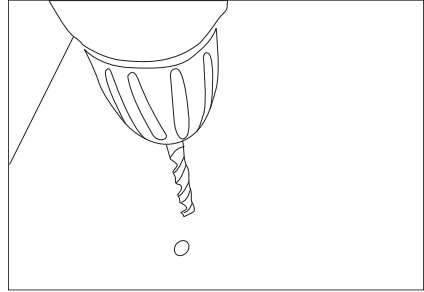


## + Installation for tilted fridge slide

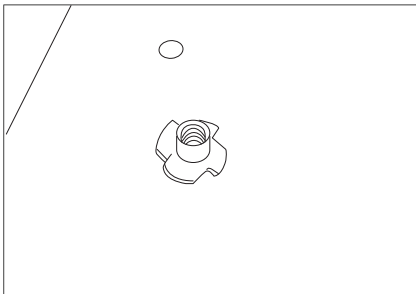
Fridge slide needs to be installed on a flat even surface with a minimum of 12mm thickness. You will require the use of an electric drill to install the slide.



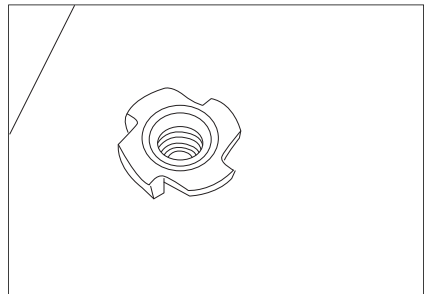
+ Mark six drilling points through any of the 14 fixing holes with a permanent marker.



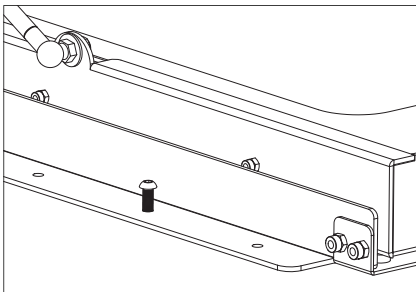
+ Drill six 7mm holes for the Tee Nuts.



+ Insert the Tee Nuts ⑫ into the holes ensuring the nuts are upright and square to the hole.



+ Flatten the Tee Nuts ⑫ with a mallet or hammer.



+ Position the fridge slide on the flat surface. Use the 6pcs M6x20mm bolts ⑪, M6 washers ⑬ and M6 Nyloc nuts ⑭ to fix to the surface.

## + Tie Down the Fridge

Secure your fridge on the sliding tray by using the 4 Nylon straps (15) fridge slide tray straps supplied. Make sure the straps are tight and secure.



## + Important Notes

- The fridge slide must be securely and evenly bolted down to the floor of the vehicle or to wherever the slide is to be used.
- Under no circumstances can the slide be used other than when it is fixed down correctly on a smooth even surface with no contortion of the frame.
- The sliding tray is activated by depressing the right side lever on the front to pull forward and lock in.
- Heavy pushing without depressing the lever will result in damage to the lever.
- Ensure that the tray is firmly locked into place when returning the tray to its inward position.
- This fridge slide is designed to carry fridges up to 60kgs. It is not recommended for commercial use and no warranty applies if used so.