



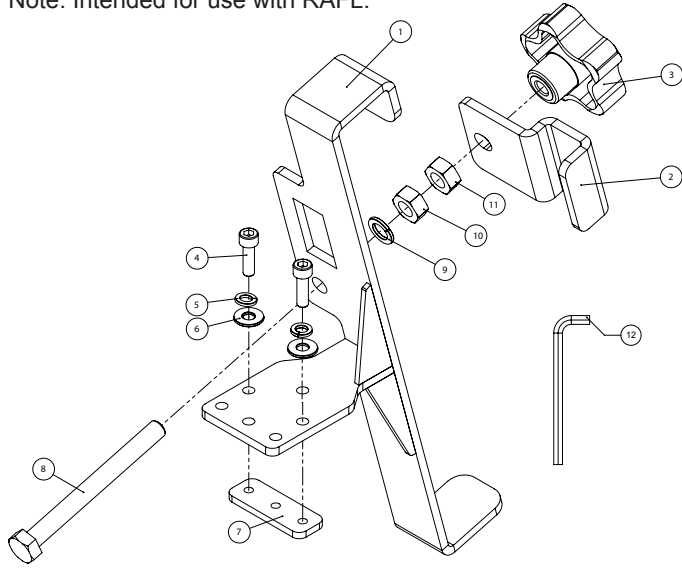
RHINO-RACK

Aluminium Folding Ladder Bracket RUFLB

Important: Please read these instructions carefully prior to installation.
Please refer to your fitting instruction to ensure that the alloy tray is installed correctly.
Check the contents of this kit before commencing fitment and report any discrepancies.

Parts

Note: Intended for use with RAFL.



Item	Component Name	Qty	Part No.
1	Base Bracket	2	CA1678
2	Top Bracket	2	CA1679
3	M10 Knob	2	M874
4	M6 x 20mm Socket Screw	4	B054
5	M6 Spring Washer	4	W004
6	M6 Flat Washer	4	W031
7	M6 Plate Nut	2	CA1426
8	M10 x 100mm Hex Bolt	2	B259
9	M10 Spring Washer	2	W061
10	M10 Nut	2	N021
11	M10 Nyloc Nut	2	N101
12	Allen Key	1	H021
13	Instructions	1	R1396

Tools required: 16mm (5/8") Socket Wrench

Instructions

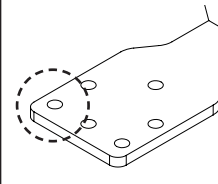
1 Loosely assemble the M6 hardware as shown.

M6x20mm Socket Screw.

M6 Spring Washer
M6 Flat Washer

M6 Nut Plate

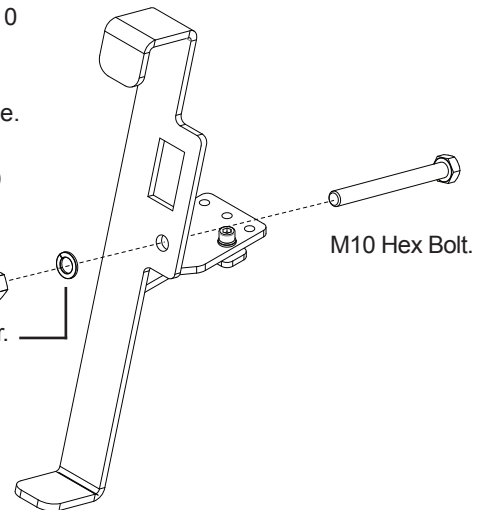
For more clearance or mounting to the rear of a platform, use the rear holes.



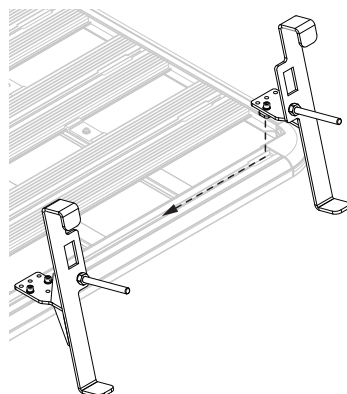
2 Slide the M10 bolt, spring washer and nut into place. Tighten with 16mm (5/8") wrench.

M10 Nut.
M10 Spring Washer.

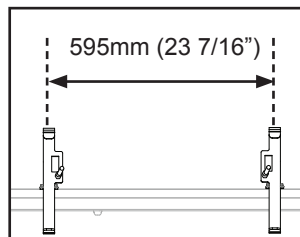
M10 Hex Bolt.



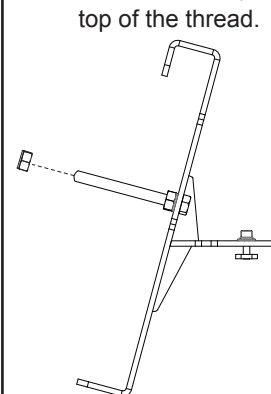
3 Slide the brackets into the side of the pioneer platform. Space them roughly 595mm (23 7/16") apart.



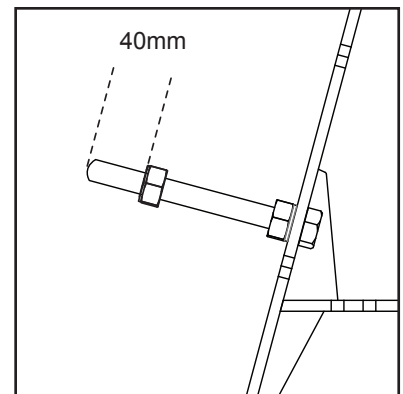
595mm (23 7/16")



4 Screw the M10 nyloc nuts down onto the hex bolts. Set the nyloc nut 40mm down from the top of the thread.



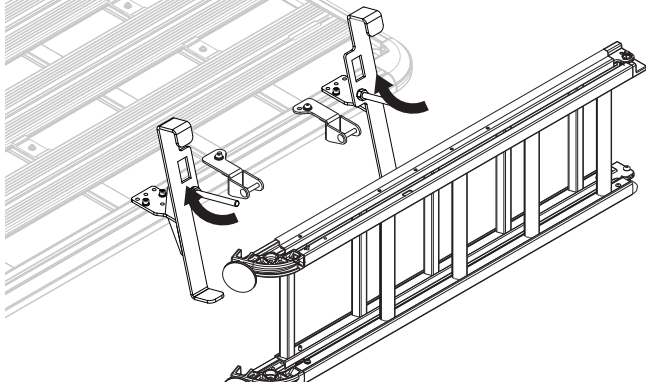
40mm



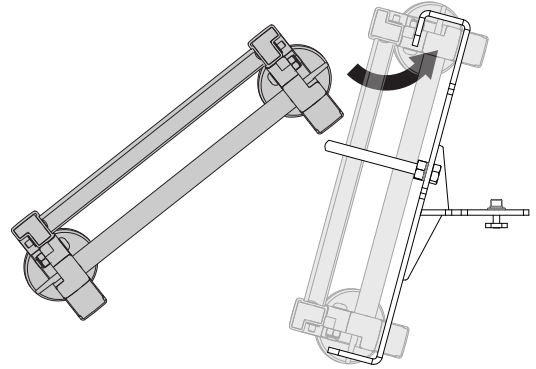


Aluminium Folding Ladder Bracket RUFLB

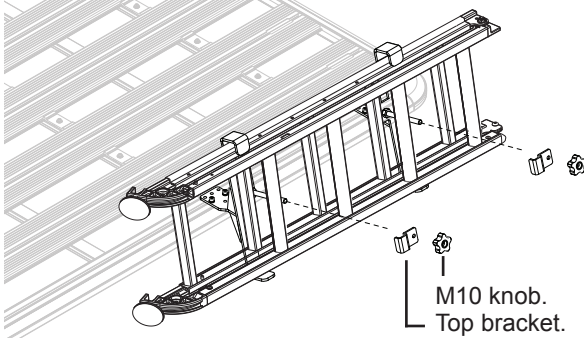
5 Place the folded ladder into the brackets. The ladder must be angled in under the top hook of the bracket, before being seated onto the bottom ledge of the bracket.



The ladder is slid up under the top hook of the bracket, then comes to rest on the lower ledge.



6 The top bracket slides over the hex bolt and rests on the nyloc nut. Be sure to hook the top bracket over a rung of the ladder both front and rear (adjust the nyloc nut if the top bracket cannot grip the ladder properly). Lock the top bracket in place with the M10 knobs. Tighten the brackets in place using the allen key provided.

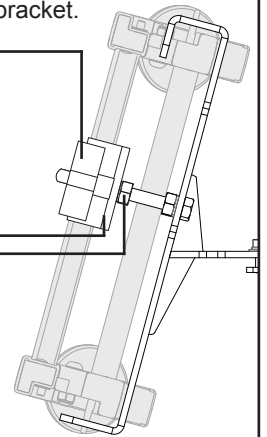


Note: The top bracket must completely grip the rung of the ladder to be secure. Be sure the nyloc nut sit flush with the bracket.

M10 knob.

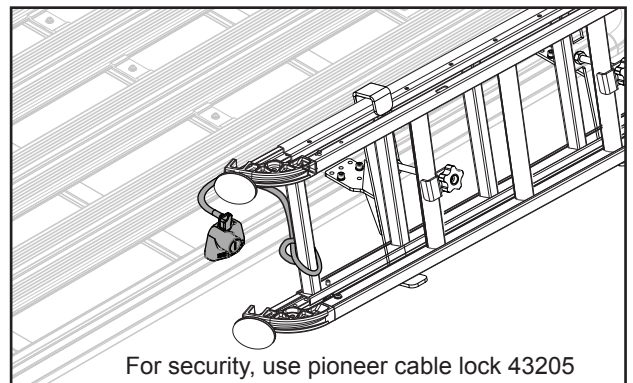
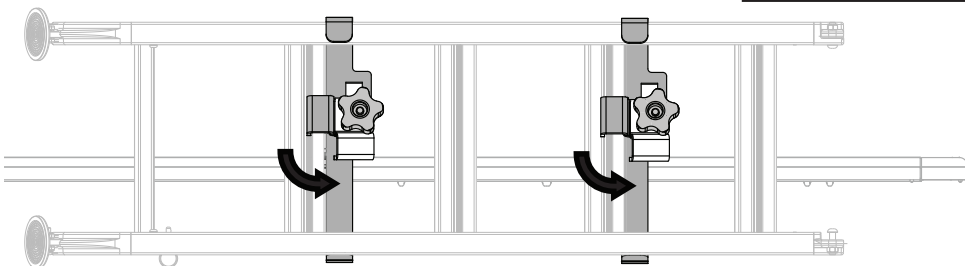
Top bracket.

Nyloc nut.



7 To remove ladder, loosen M10 knob and swing the brackets down as shown.

The brackets will swing out of the way, releasing the ladder.



For security, use pioneer cable lock 43205

Rhino-Rack
3 Pike Street, Rydalmere,
NSW 2116, Australia.
(Ph) (02) 9638 4744
(Fax) (02) 9638 4822

Document No: R1396
Prepared By: Kayle Everett
Authorised By: Chris Murty

Fit Time: 15min
Issue No: 02
Issue Date: 29/06/2017

These instructions remain the property of Rhino-Rack Australia Pty. Ltd. and may not be used or changed for any other purpose than intended.