



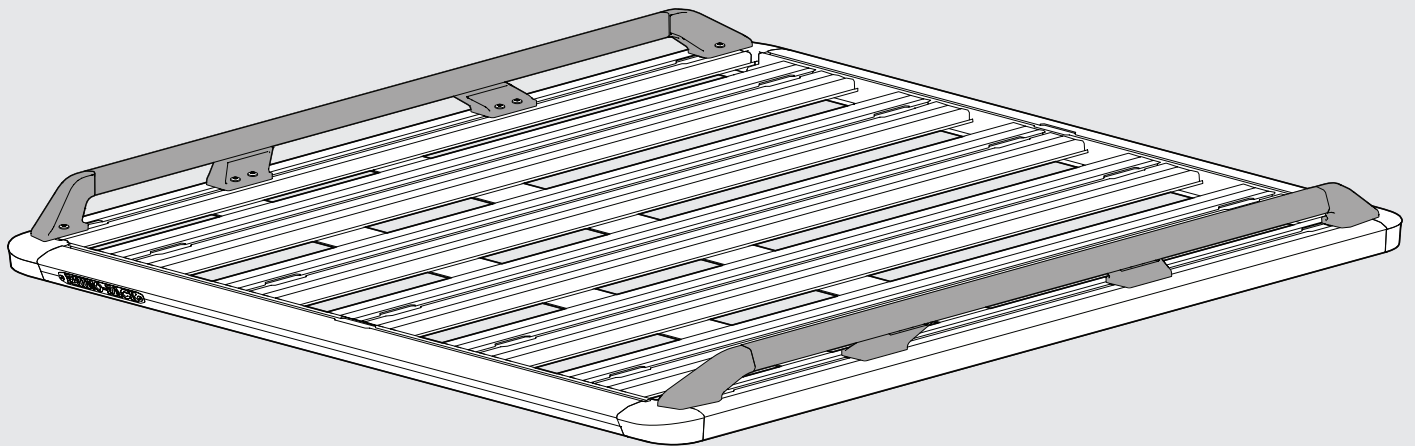
# RHINO-RACK®

## Pioneer Platform Side Rails Instructions

### Important:

1. Check the Rhino-Rack website to ensure you have the latest issue of these instructions.
2. Please refer to your fitting instruction to ensure that the roof racks are installed in the correct locations.
3. Check the contents of kit before commencing fitment and report any discrepancies.
4. Place these instructions in the vehicle's glove box after installation is complete.
5. These instructions must be followed for warranty to be upheld.

**Fit Time:** 30mins



**Rhino-Rack AUSTRALIA**  
22A Hanson Pl,  
Eastern Creek, NSW, 2766  
(02) 8846 1900  
rhinorack.com.au

**Rhino-Rack USA**  
Unit D, 2450 Airport Blvd,  
Aurora, CO, 80011  
877-744-6622  
rhinorack.com

**Rhino-Rack CANADA**  
19100 Airport Way  
Pitt Meadows, BC V3Y OE2  
rhinorack.ca

Document No: 520-RFI-00005  
Issue No: 02  
Issue Date: 16/11/2021

# Pioneer Platform Side Rails Instructions

## Carrying Capacity

Check your vehicle owners hand book for vehicle maximum carrying capacity. Load must be evenly distributed over the system.



RAIL WEIGHT (pair)

53140 2.6kg / 5.7lbs

53146 2.4kg / 5.3lbs

53147 2kg / 4.4lbs

53141 3.7kg / 8.2lbs

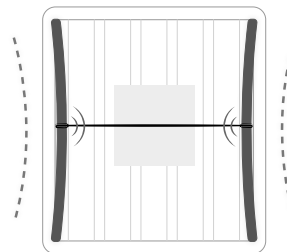
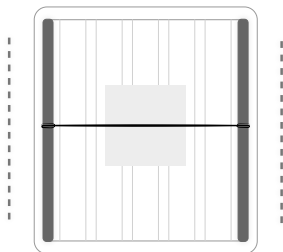
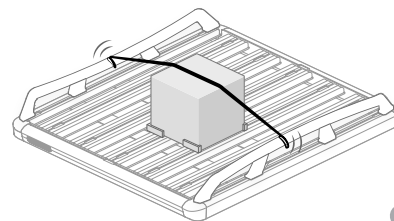
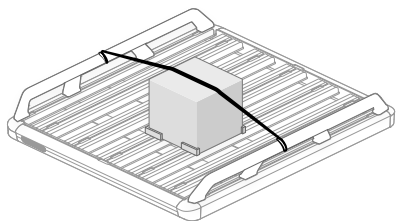
53142 4.4kg / 9.7lbs

53144 3.5kg / 7.7lbs

53145 3.4kg / 7.5lbs

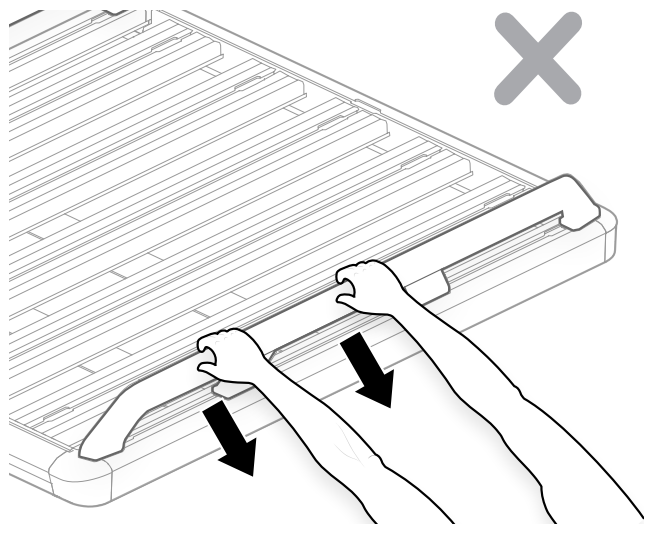
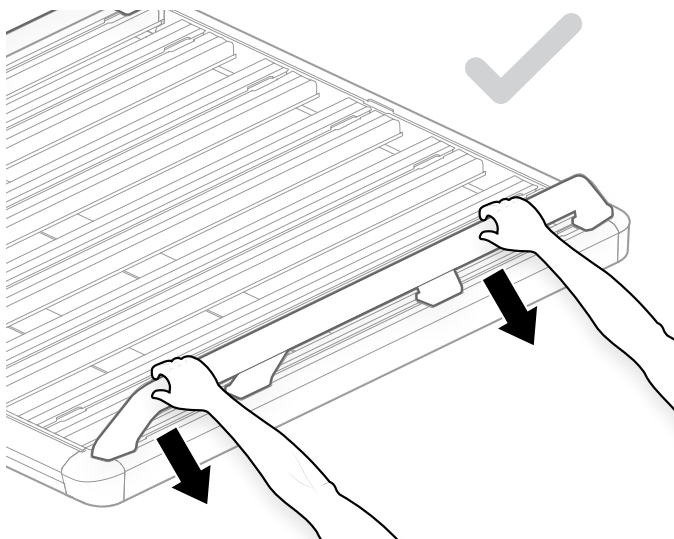
### Maximum strapping force = 100kg.

When strapping to side rails, do not overtighten straps where rail is deformed. If rail begins to deform loosen strap. Do **NOT** strap with ratchet straps on the side rails

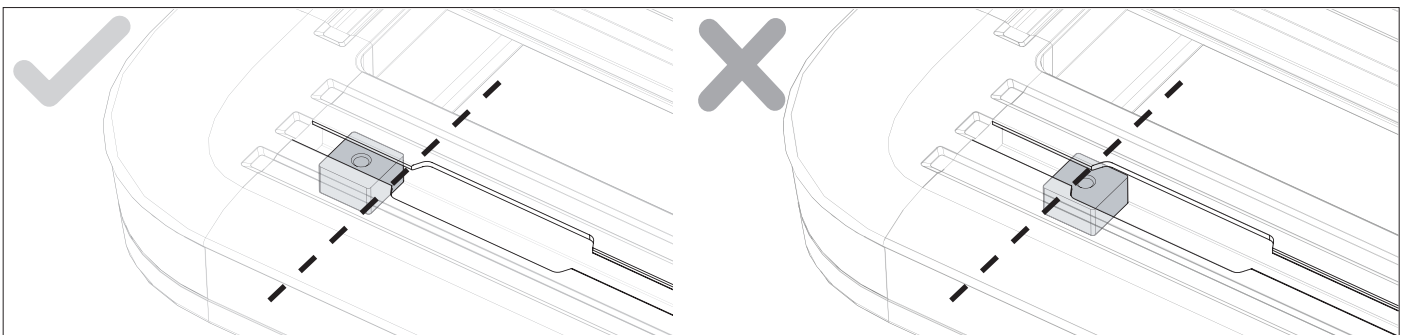
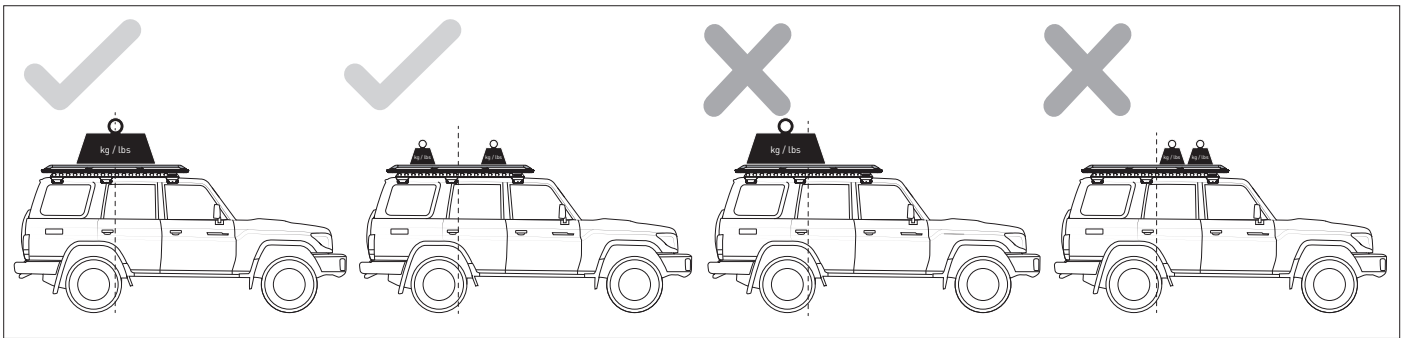
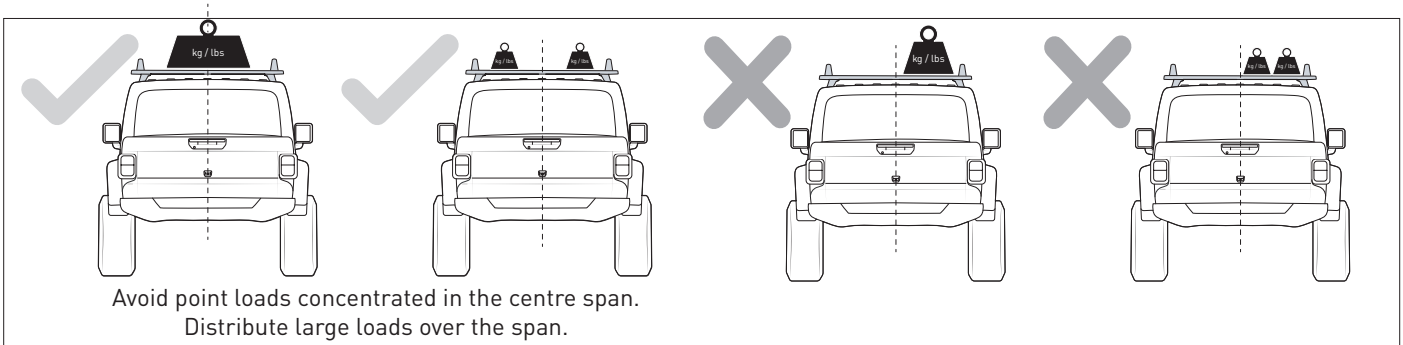


### Maximum pull force = 200kg.

When grabbing to side rails, grab the rail further apart to spread the load through different feet mountings.



## Pioneer Platform Side Rails Instructions



### Warning

- Check part number or kit is correct for use with your vehicle.
- Do not attempt to fit the system to your vehicle unless you fully understand these fitting instructions. Please direct any questions regarding fitting to the dealer from where the products were purchased.
- Off-road conditions can be much more rigorous. Extreme care must be taken in off road conditions.
- Roof racks must be removed when vehicle is put through an automatic car wash.
- With utility vehicles, the cabin and the canopy move independently. Roof accessories and vehicle can be damaged if the item transported is rigidly fixed at points on both the cabin and canopy. Instead, rigidly fix to either the cabin or the canopy roof racks.
- Always ensure you fasten your load securely.
- Use only non-stretch fastening ropes or straps to attach cargo to your load.

### In service maintenance checks

- All bolt connections should be checked after driving a short distance when you first install your roof racks.
- All bolted connections should be checked again at regular intervals (weekly is recommended, depending on road conditions, usage, loads and distances travelled).
- All bolted connections should be checked each time they are re-fitted.

#### Torque Settings

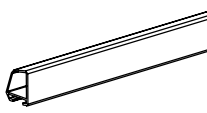
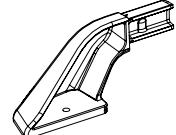
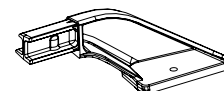
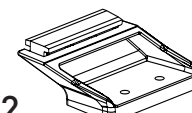
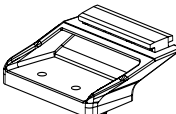
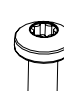

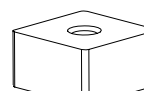



Unless stated otherwise in these instructions, all fasteners should be set to the following torque settings - M6: 4-5Nm (3-4lbs/ft), M8: 8-10Nm (6-7.5lbs/ft) and M10: 16-18Nm (12-13lbs/ft).

### Note for Dealers and Fitters

It is your responsibility to ensure these fitting instructions are given to the end user or client. These instructions remain the property of Rhino-Rack Australia Pty. Ltd. and may not be used or changed for any other purpose than intended.

# Pioneer Platform Side Rails Instructions

## Parts List

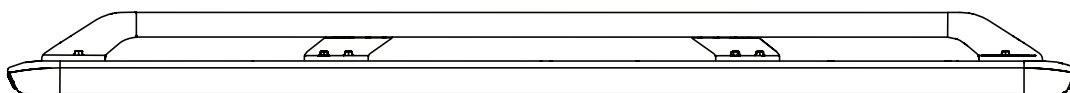
<p>Rail Extrusion</p>  <p><b>A</b> x2</p>	<p>RHS End Foot</p>  <p><b>B</b> x2</p>	<p>LHS End Foot</p>  <p><b>C</b> x2</p>	<p>LHS Support Foot</p>  <p><b>D2</b> x2 <b>D4</b> x4</p>
<p>RHS Support Foot</p>  <p><b>E2</b> x2 <b>E4</b> x4</p>	<p>M6x12 Pan Head Screw</p>  <p><b>F</b> x4</p>	<p>M6x20 Torx Pan Head Screw</p>  <p><b>G2</b> x12 <b>G4</b> x20</p>	<p>M6 Track Nut</p>  <p><b>H2</b> x12 <b>H4</b> x20</p>
<p>M6 Washer</p>  <p><b>I2</b> x8 <b>I4</b> x16</p>	<p>Torx Bit</p>  <p><b>J</b> x1</p>	<p>Instruction</p>  <p><b>K</b> x1</p>	

## Tools Required

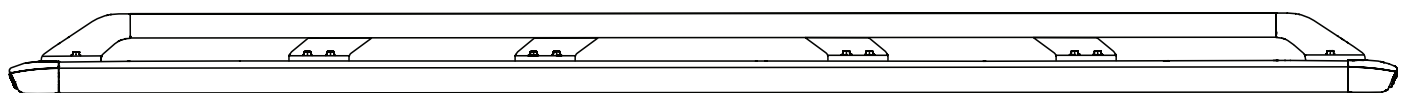
- T1 - Torque tool (Supplied with 5XXXX Series Pioneer Platform)
- T2 - Tape Measure

## Notes

**D2 E2 G2 H2 I2** Quantities are for the below set up

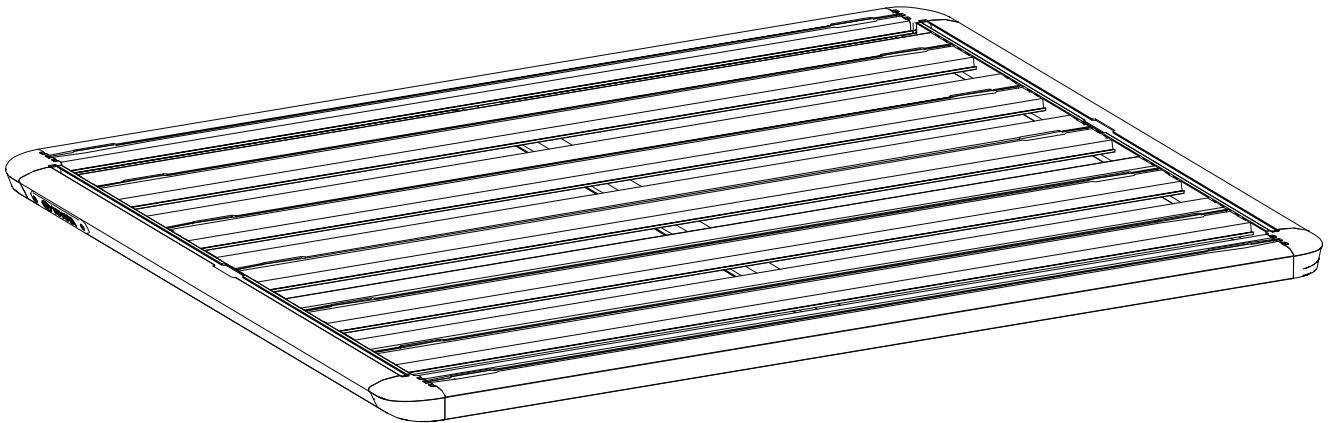


**D4 E4 G4 H4 I4** Quantities are for the below set up



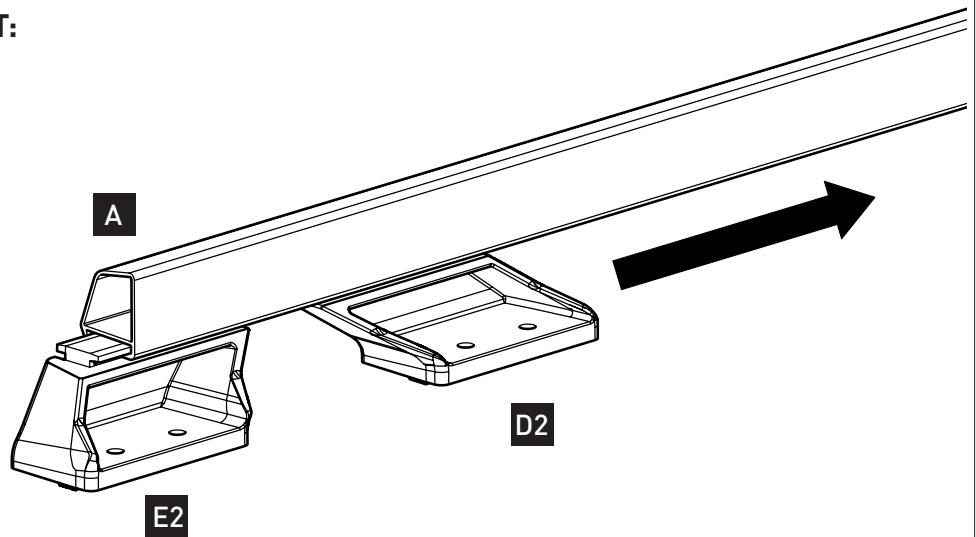
# Pioneer Platform Side Rails Instructions

**1** Platform must be preassembled



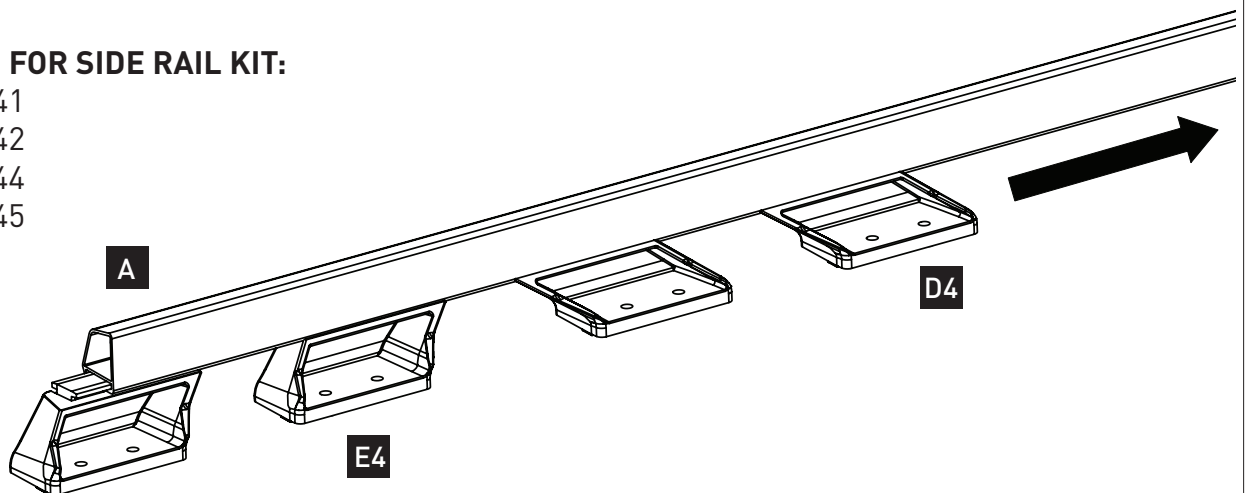
**2** USE FOR SIDE RAIL KIT:

53140  
53146  
53147



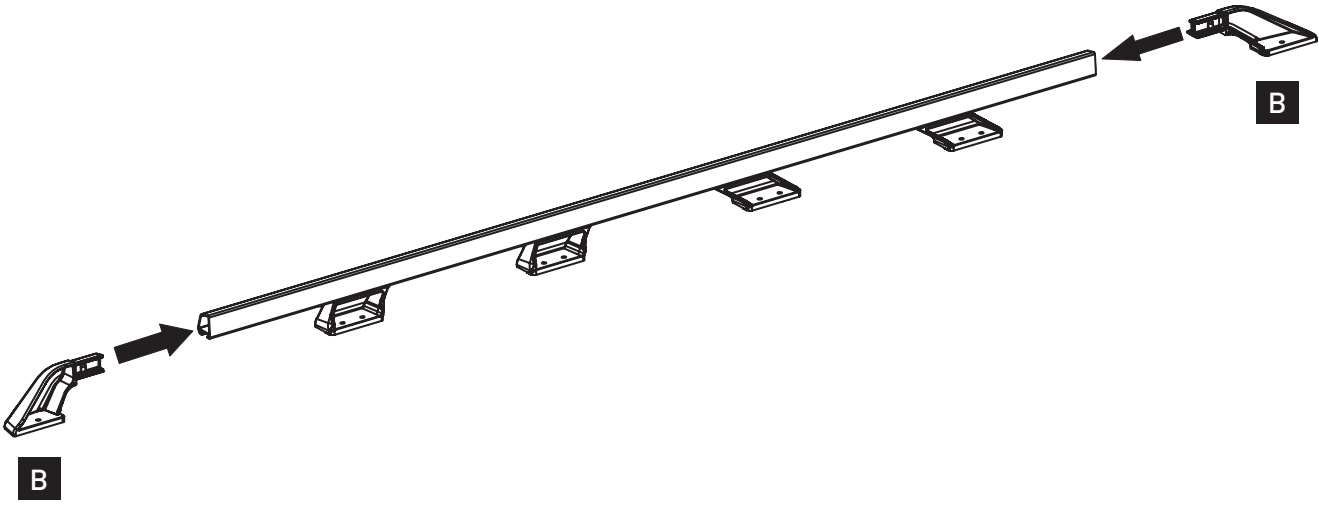
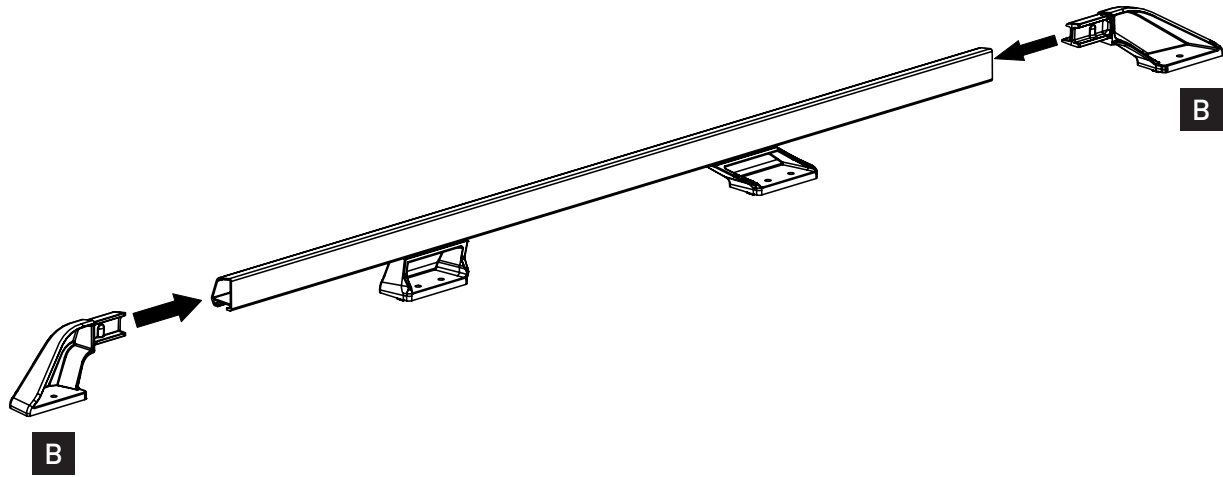
USE FOR SIDE RAIL KIT:

53141  
53142  
53144  
53145

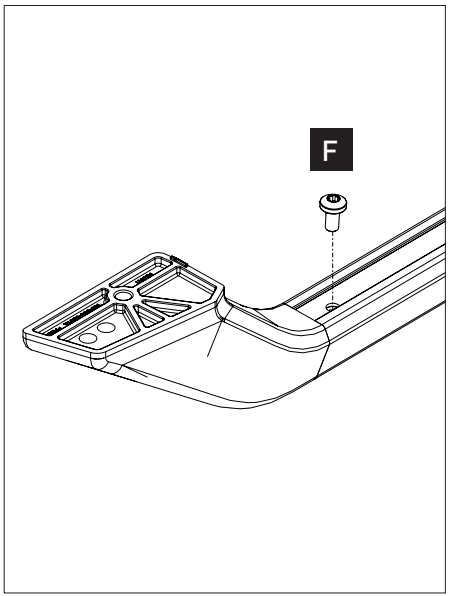
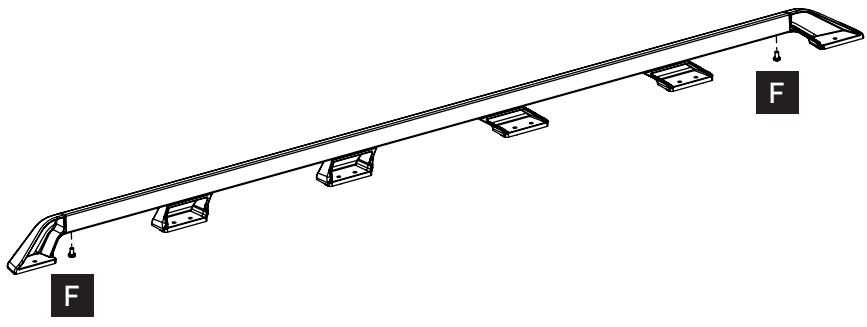


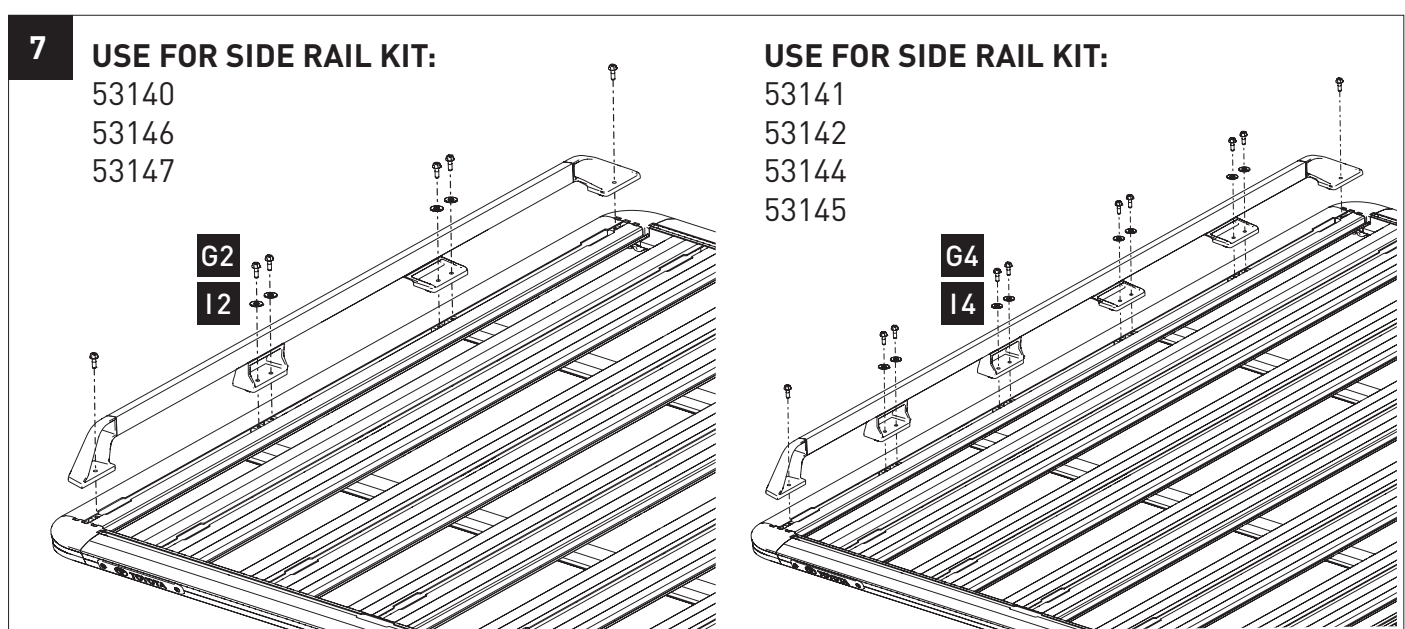
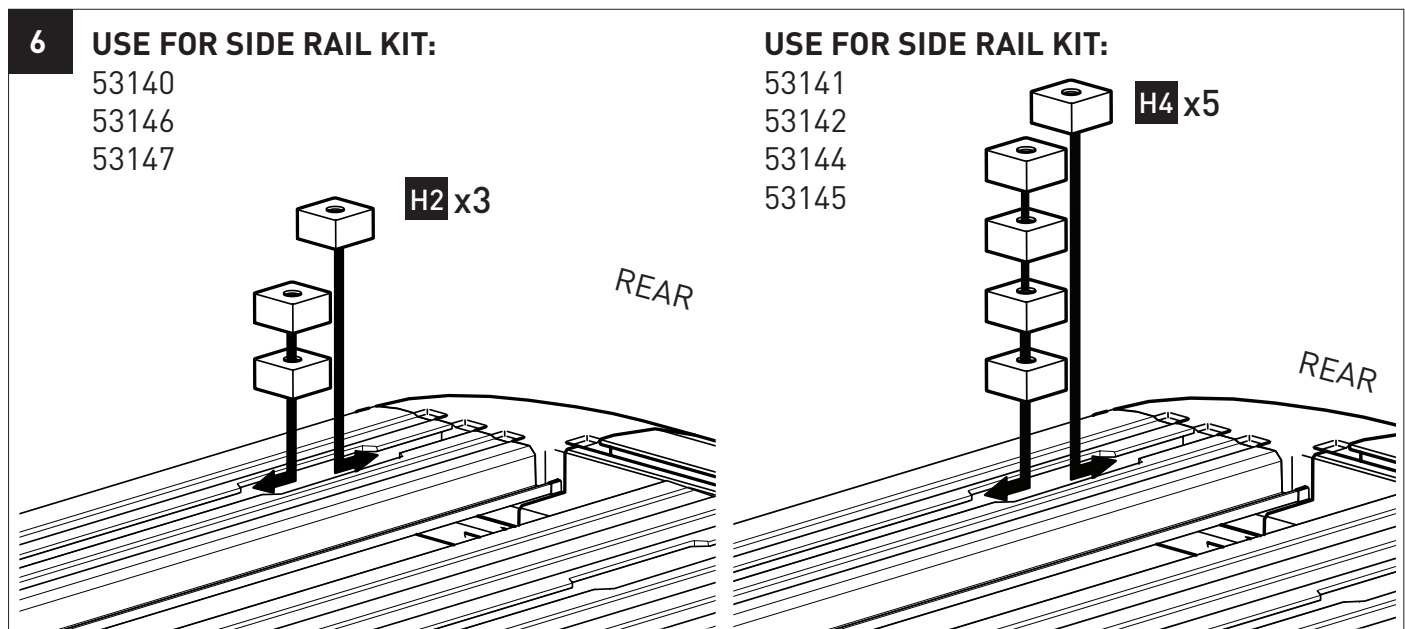
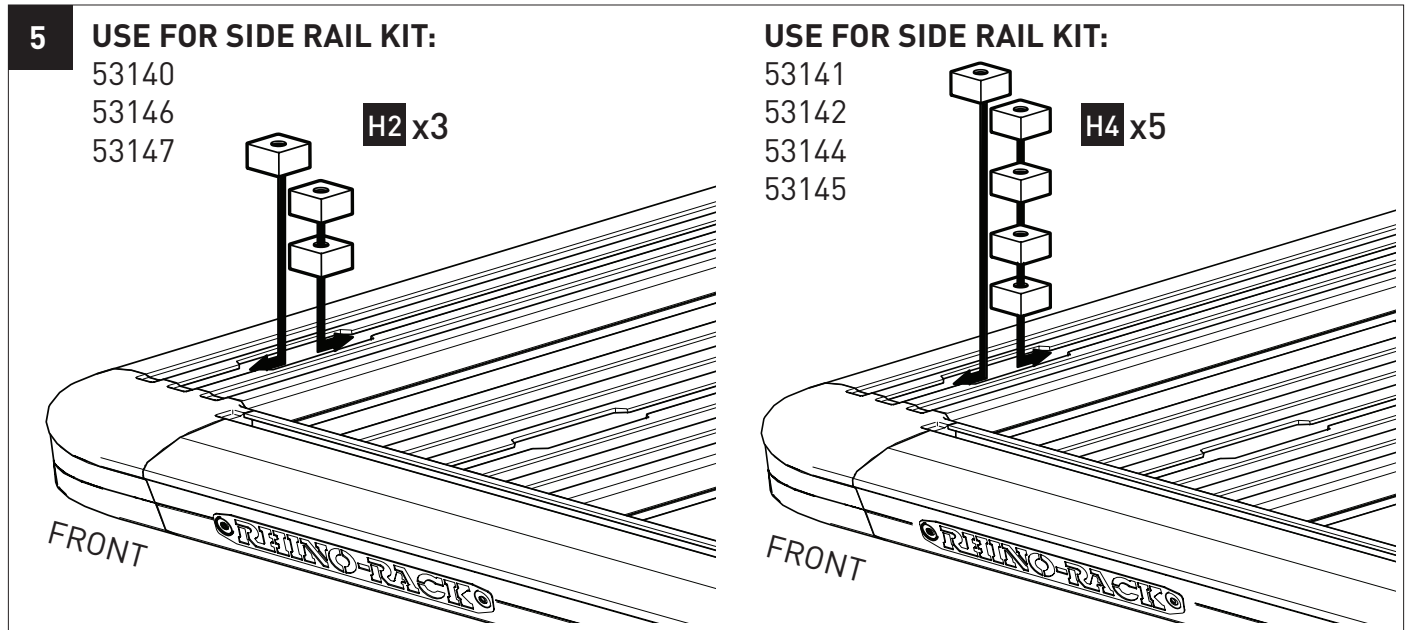
# Pioneer Platform Side Rails Instructions

3



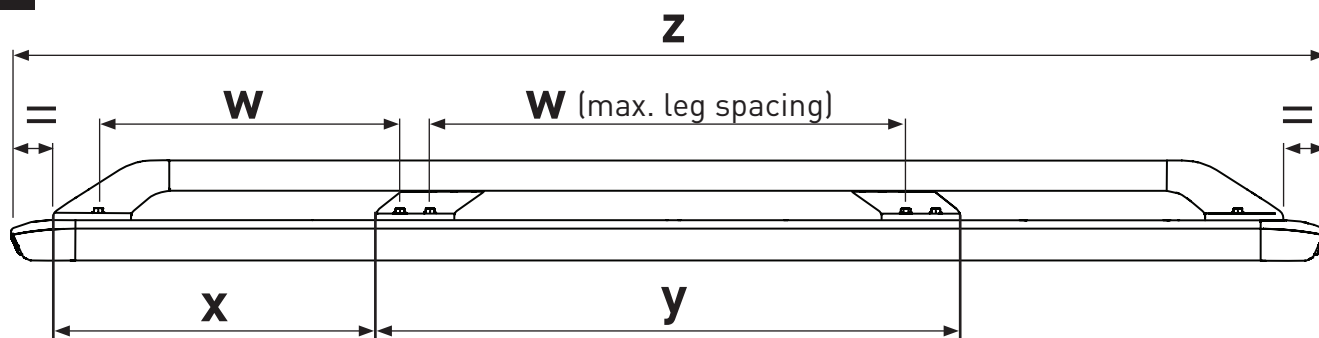
4



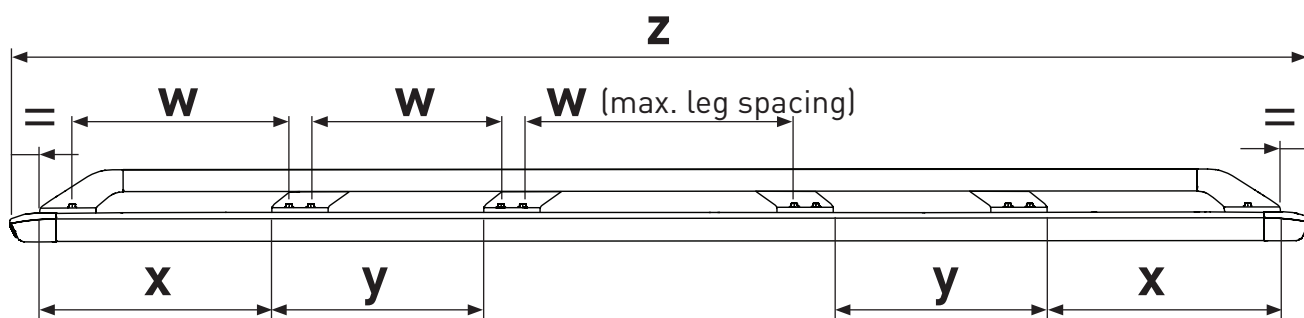


# Pioneer Platform Side Rails Instructions

**8** **D E** may be adjusted depending on accessories fitted



SIDE RAIL KIT	SUITS TRAY LENGTH z (mm)	w (mm)	x (mm)	y (mm)
53140	1528	600	414	602
53146	1328		339	552
53147	928		214	402



SIDE RAIL KIT	SUITS TRAY LENGTH z (mm)	w (mm)	x (mm)	y (mm)
53141	2128	600	344	390
53142	2728		449	500
53144	1928		324	330
53145	1828		294	320

**9** Repeat **2** - **9** to opposite side

