



**CONTROLLED**

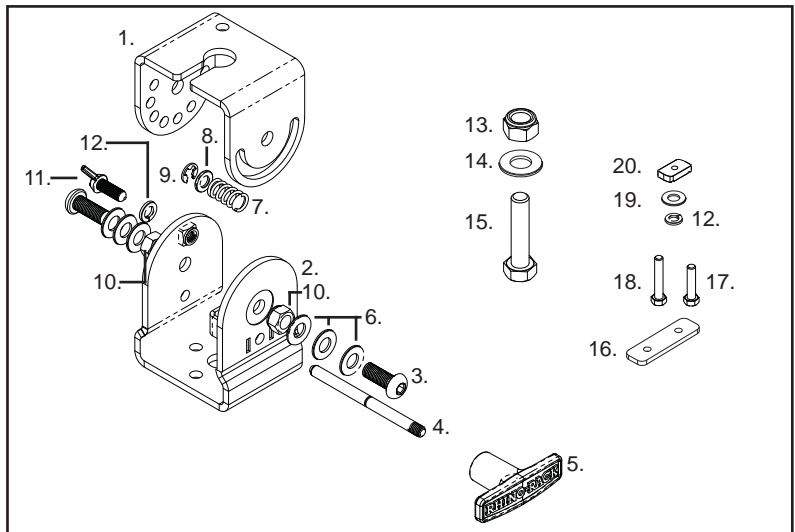
# RHINO-RACK

## 43196 Folding Aerial/ Flag Bracket Kit suitable for Aerials and Sand Flags

**Important:** Please read these instructions carefully prior to installation. Please refer to your fitting instruction to ensure that the Bracket is installed in the correct locations. Check the contents of kit before commencing fitment and report any discrepancies. Place these instructions in the vehicle's glove box after installation is complete.

### Parts List

Item	Component Name	Qty.	Part No.
1	Aerial Fix Mount	1	CA1482
2	Vehicle Mount	1	CA1483
3	M8 x 20 Button Head	2	B155
4	Pull Pin	1	CA1485
5	Rhino-Rack Black T-Handle	1	M868
6	M8 x OD17 Flat Washer	6	W020
7	Spring ID7	1	CA1686
8	M6 x OD12.5 Flat Washer	1	W003
9	E Clip ID 5	1	W032
10	M8 Nyloc Nut	2	N028
11	M6 x 18 Wingbolt	1	B262
12	M6 Spring Washer	3	W004
13	M12 Nyloc Nut	1	N034
14	M12 x OD24 Flat Washer	2	W045
15	M12 x 30 Hex Bolt	1	B263
16	M6 Plate Nut	1	C593
17	M6 x 16 Hex Head Bolt	2	B168
18	M6 x 20 Hex Head Bolt	2	B082
19	M6 x OD16 Flat Washer	2	W031
20	M6 Channel Nut	2	N002
21	Instructions	1	R1170

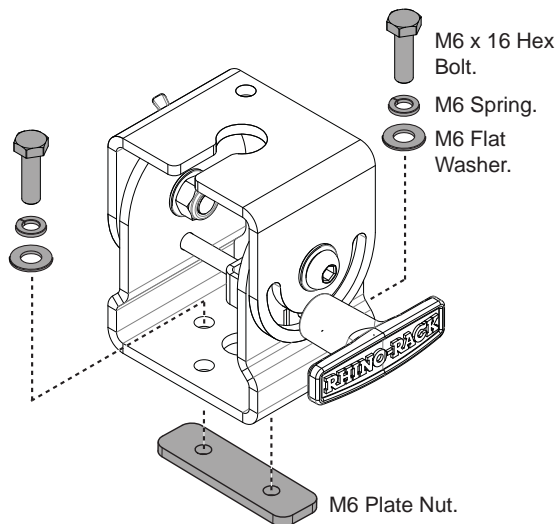


**Tools Required:**  
 1- 18mm Socket Wrench  
 2- 10mm Socket Wrench

**Note:**  
 For use with Pioneer Tray, Bullbars, Heavy Duty and Vortex Crossbar.

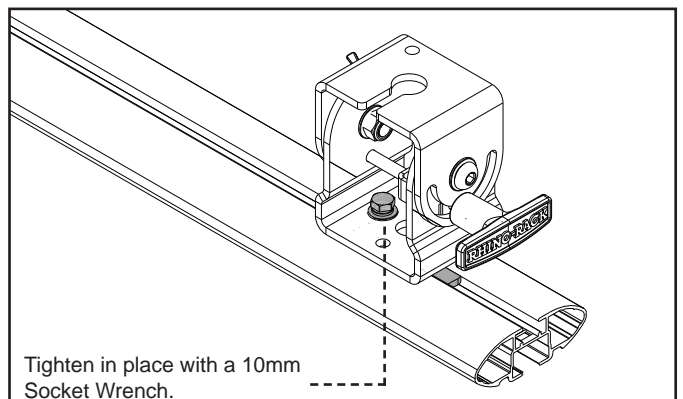
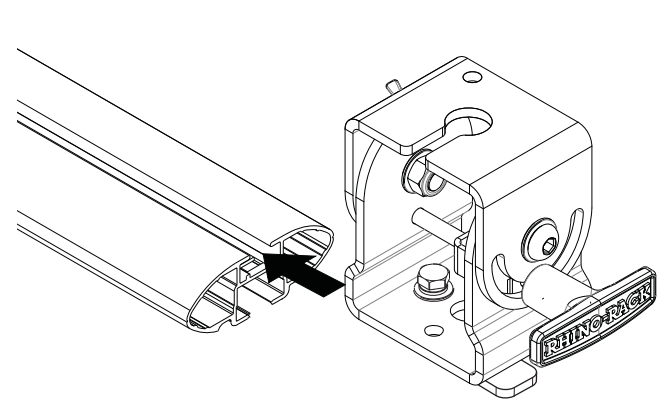
### Instructions Vortex Crossbar install

**1** Insert the two M6 x 16 Hex Bolts with M6 Spring and Flat Washers. Finger tighten the Assembly to the M6 Plate Nut.



**Note:**  
 Select the corresponding M6 holes that suit your individual needs. The orientation of the Bracket can be rotated by changing the holes used.

**2** Slide the Assembly into the 'C' Channel of the Vortex Crossbars.

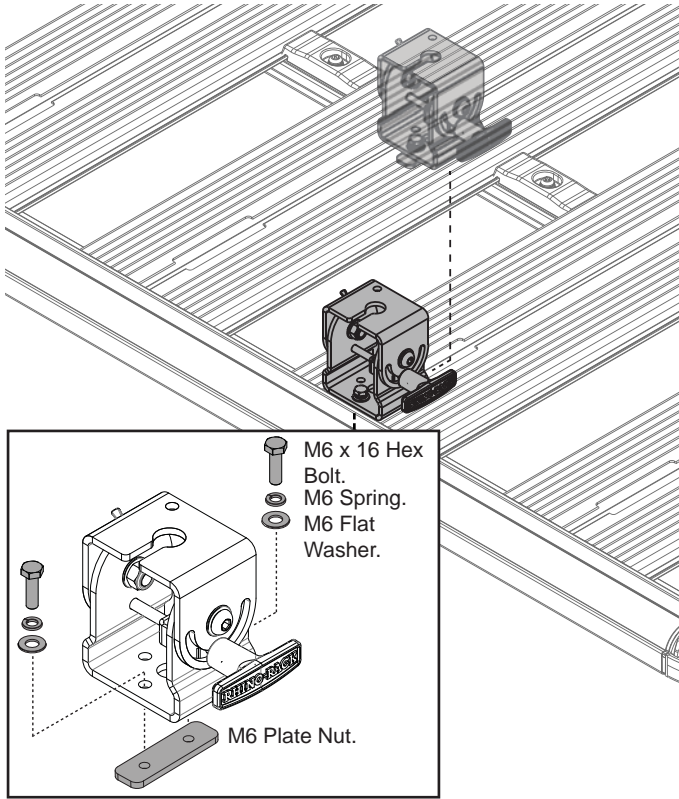




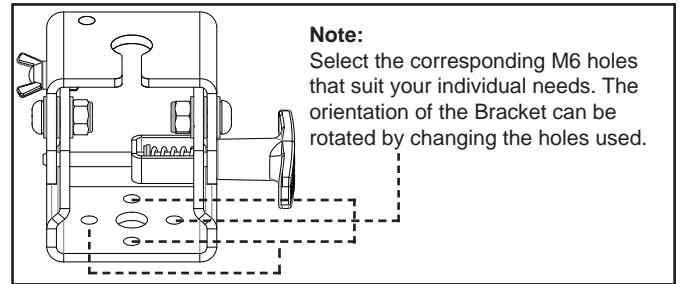
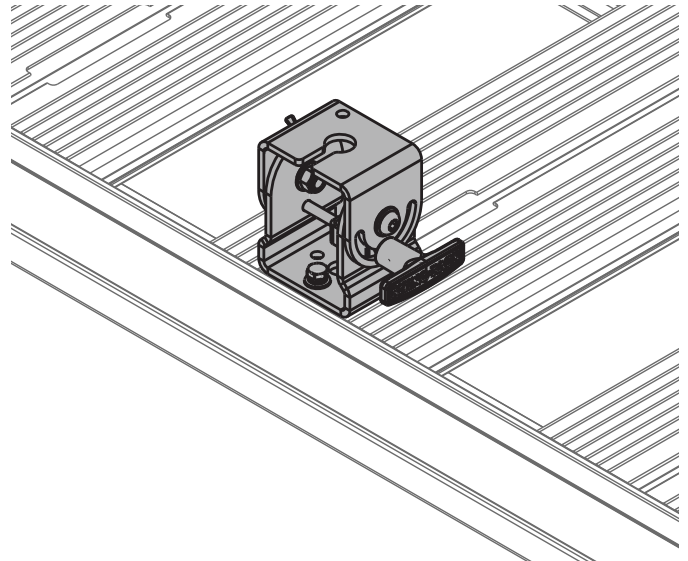
# 43196 Folding Aerial/ Flag Bracket Kit

## Instructions Pioneer install

**3** Complete the Aerial Bracket Assembly as below. Slide the completed assembly into the chosen plank on the Pioneer Tray. Push the Assembly hard against the end of the plank as shown.

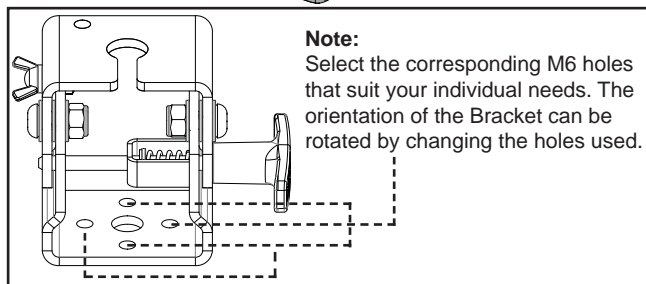
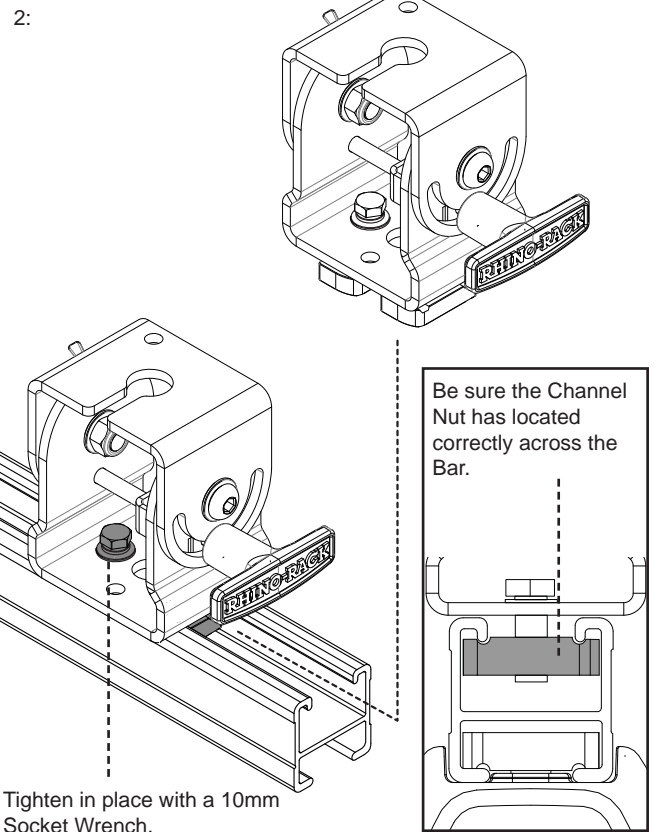
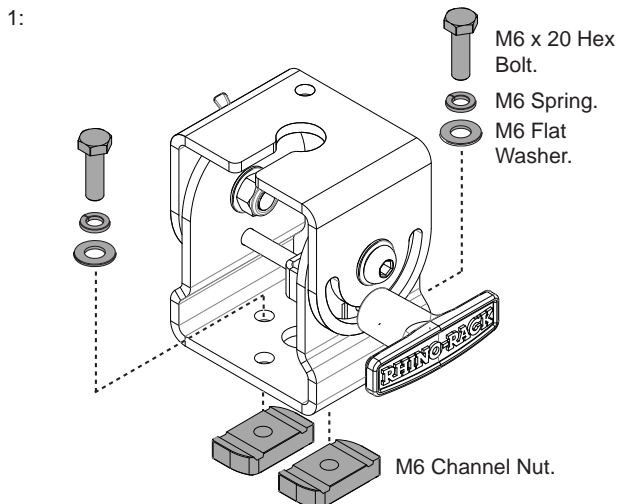


**4** Fix in place using a 10mm Socket Wrench on the Hex Bolts.



## Instructions Heavy Duty Crossbar install

**5** 1: Insert the two M6 x 20 Hex Bolts with M6 Spring and Flat Washers. Finger tighten the Assembly to two M6 Channel Nuts.  
2: Slide the Assembly into the Heavy Duty Crossbars as shown.



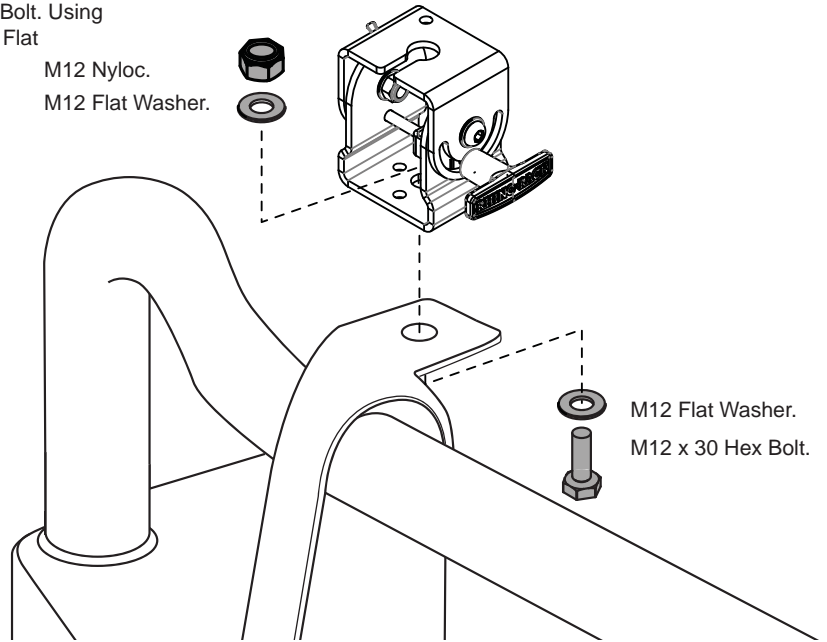


# 43196 Folding Aerial/ Flag Bracket Kit

## Instructions Bullbar install

**6** For Bullbar installations, use the M12 x 30mm Hex Bolt. Using an 18mm Socket Wrench tighten in place with M12 Flat Washers and a Nyloc Nut as below.

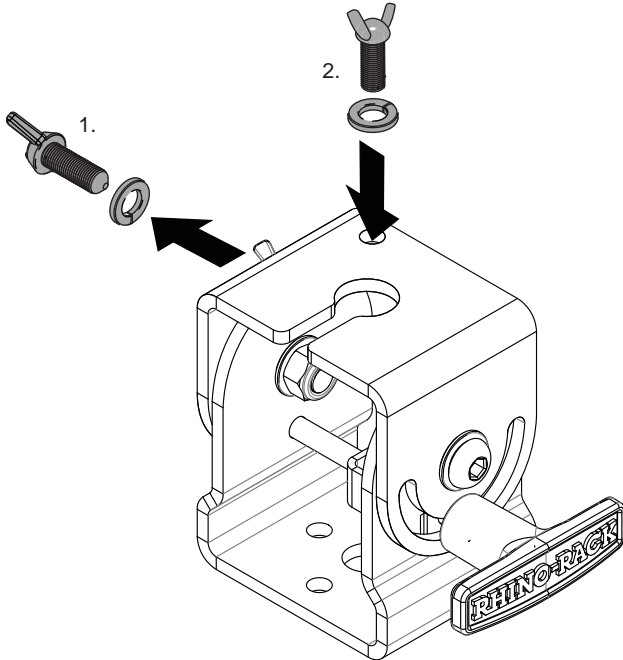
M12 Nyloc.  
M12 Flat Washer.



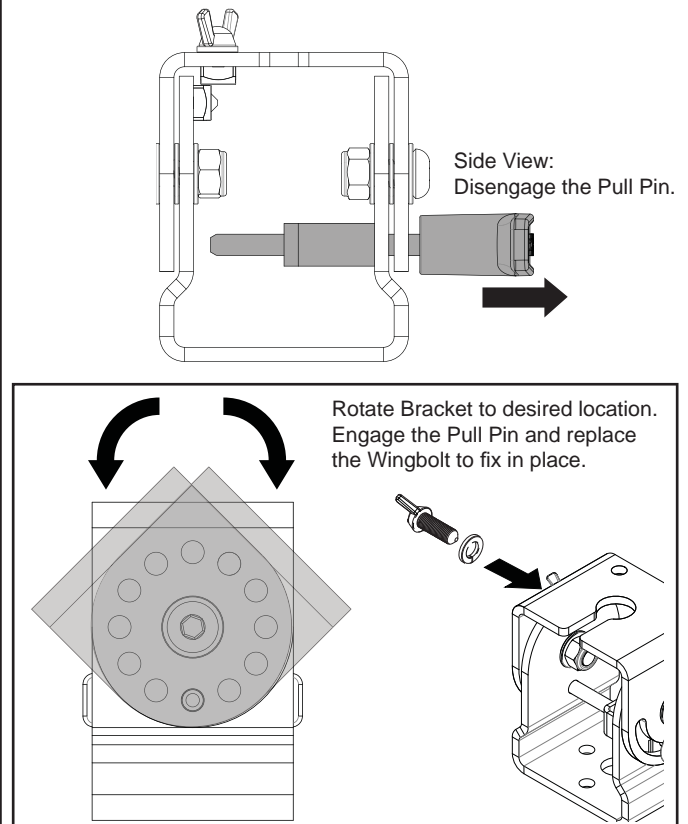
Note: Bullbar installation may vary from model to model.

## Bracket Function

**7** To adjust the angle of the Bracket, first remove the M6 Wing-bolt. Screw the Bolt into the Thread on top of the Bracket for storage.



**8** Pull back and disengage the Pull Pin. Rotate the Bracket to the desired angle. Replace the Wingbolt to its original position.



### Note for Dealers and Fitters:

It is your responsibility to ensure instructions are given to the end user or client.

Rhino-Rack  
3 Pike Street, Rydalmere,  
NSW 2116, Australia.  
(Ph) (02) 9638 4744  
(Fax) (02) 9638 4822

Document No: R1170  
Prepared By: Kayle Everett  
Authorised By: Chris Murty

Fit Time: 10min  
Issue No: 02  
Issue Date: 08/02/16

These instructions remain the property of RhinoRack Australia Pty. Ltd. and may not be used or changed for any other purpose than intended.