

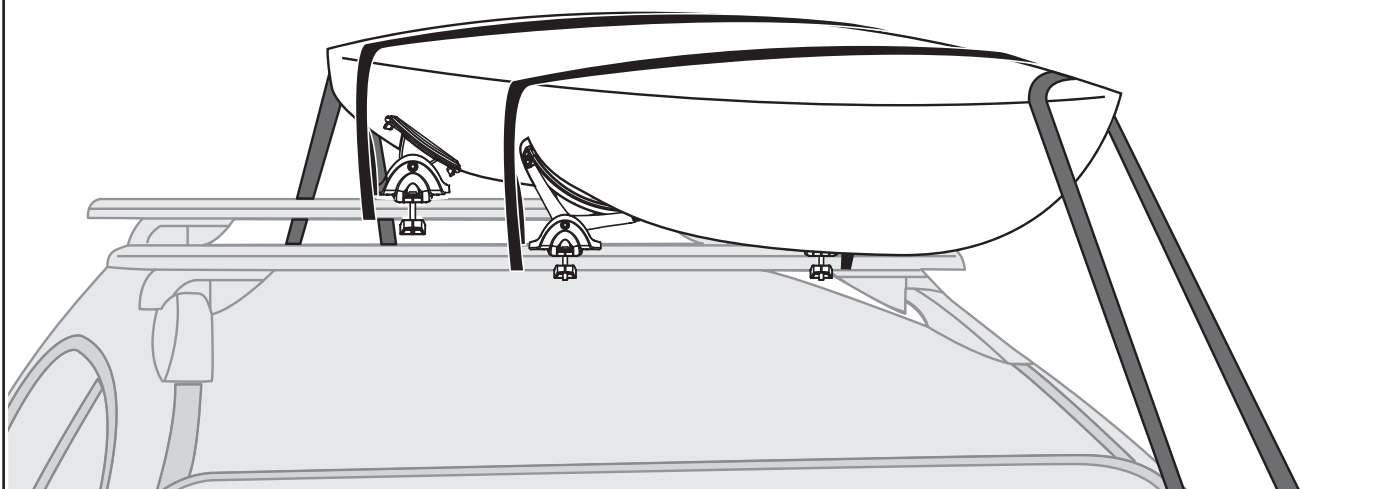


RHINO-RACK

Rhino-Rack **NAUTIC** SERIES 571, 581

Important: Please read these instructions carefully prior to installation. Please refer to your fitting instruction to ensure that the kayak carrier is installed in the correct locations. Check the contents of kit before commencing fitment and report any discrepancies. Place these instructions in the vehicle's glove box after installation is complete.

Layout



Important Information

Maximum carrying capacity: Refer to maximum carrying capacity of roof racks

Please refer to your vehicle manufacturers handbook for maximum carrying capacity of your roof racks. Always use the lower of the two figures. Load must be evenly distributed over the crossbars.

Warning: Do not attempt to fit the 571/ 581 to your vehicle unless you fully understand these fitting instructions. Please direct any questions regarding fitting to the dealer from where the 571/ 581 was purchased. **Use only non-stretch fastening ropes or straps.**

Ensure the bottom of the kayak is clean before loading to avoid damage to both kayak and cradle.

Take care when loading and unloading to ensure that the kayak does not damage the vehicle.

The roof racks must be at least 600mm apart for safe use.

Failure to follow these warnings and instructions set out will void warranty.

Recommendations:

It is essential that all bolt connections be checked after driving a short distance when you first install your kayak cradles. Bolt connections should be checked again at regular intervals (once a week is enough, depending on road conditions, usage, loads and distances travelled). You should also check the roof racks and kayak cradles each time they are re-fitted. Always make sure to fasten your load securely. Please also ensure that all loads are evenly distributed and that the centre of gravity is kept as low as possible. Long loads (e.g. canoes and kayaks) must be secured front and rear with non-stretch fastening ropes or straps.

Roof racks must be removed when putting vehicle through an automatic car wash.

Caution: The handling characteristics of the vehicle changes when you transport a load on the roof. For safety reasons we recommend you exercise extreme care when transporting wind-resistant loads. Special consideration must be taken into account when cornering and braking.

Note for Dealers and Fitters

It is your responsibility to ensure this fitting instruction is given to the end user or client

Rhino-Rack
3 Pike Street, Rydalmere,
NSW 2116, Australia.
(Ph) (02) 9638 4744
(Fax) (02) 9638 4822

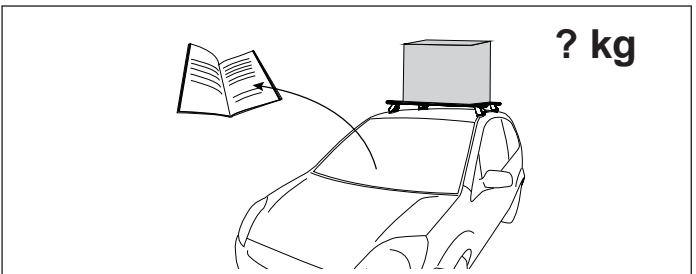
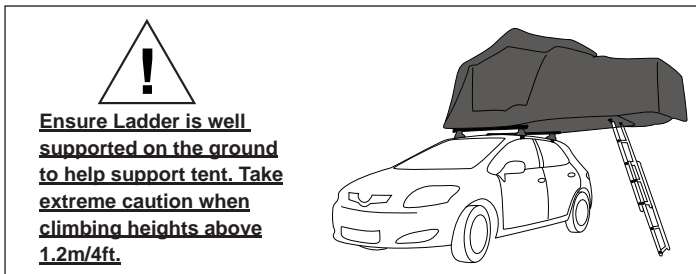
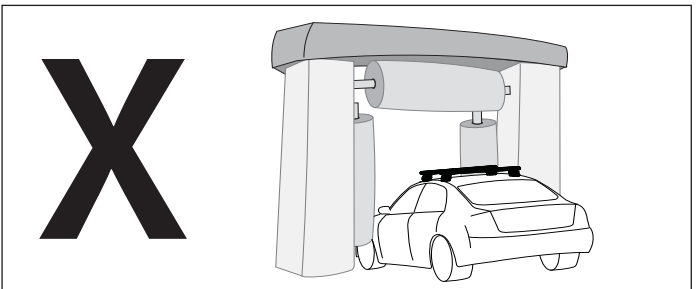
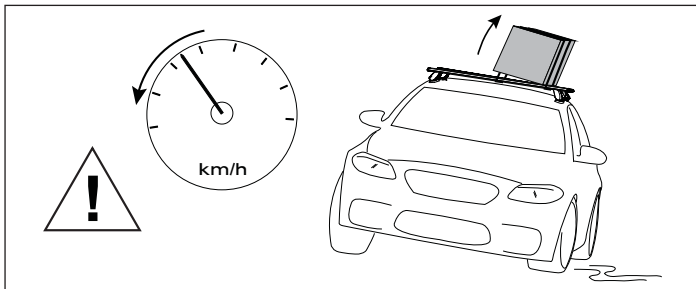
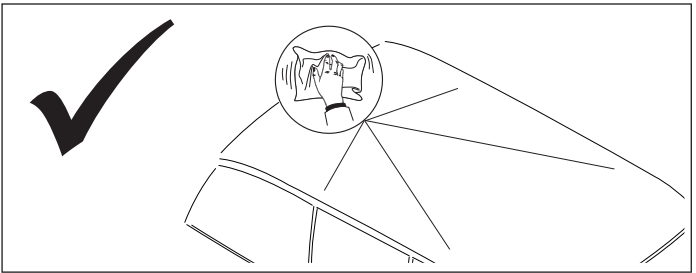
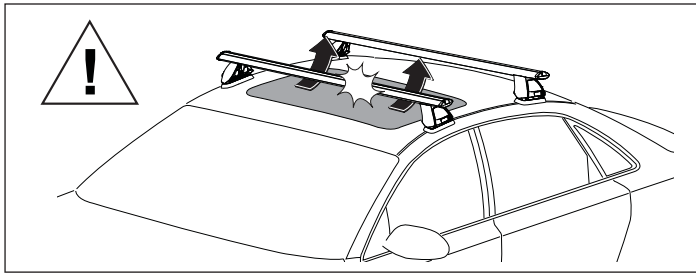
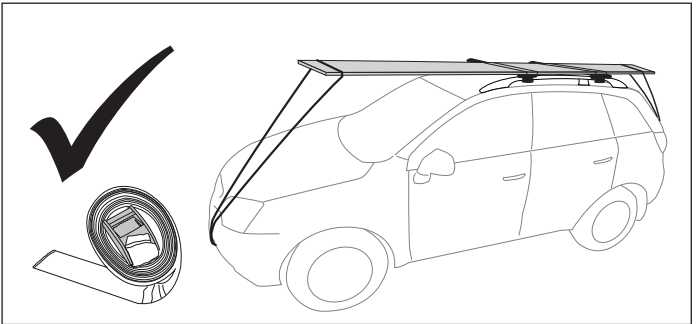
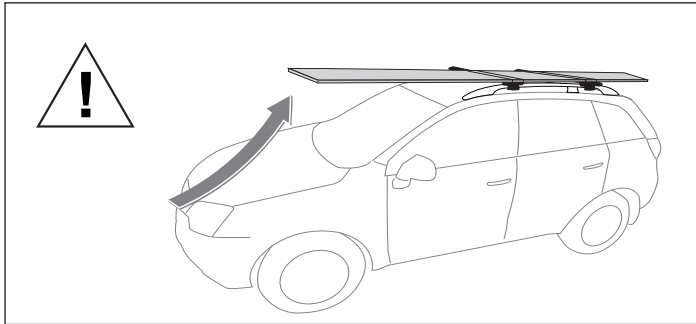
Document No: R234
Prepared By: Andy Wana
Authorised By: Chris Murty

Fit Time: 15min
Issue No: 04
Issue Date: 29/08/2017

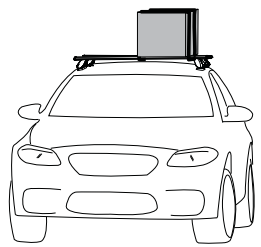
These instructions remain the property of Rhino-Rack Australia Pty Ltd and may not be used or changed for any other purpose than intended.



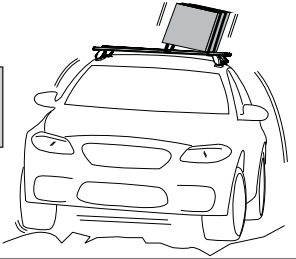
Rhino-Rack NAUTIC SERIES 571, 581



When these roof racks are to be used on a vehicle that is driven off sealed roads the maximum load rating must be divided by 1.5. Remember to subtract the weight of the roof racks to determine your maximum permissible load capacity.

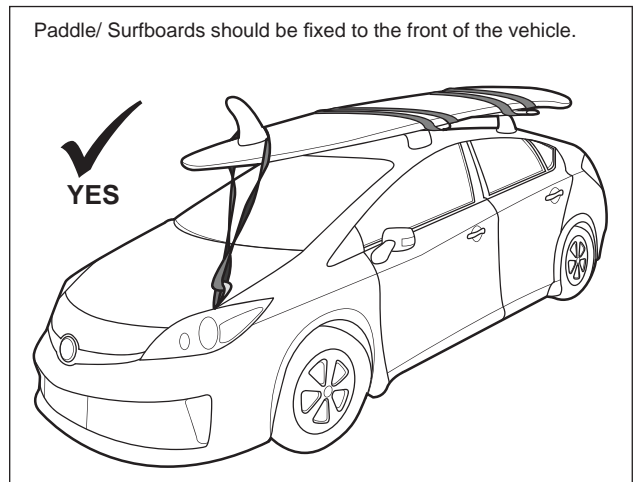


$$60\text{kg load rating (Urban road)} = 30\text{kg load rating (Off road - } 60\text{kg} / 2)$$



WARNING! Important Load Carrying Instructions

With utility vehicles, the cabin and the canopy move independently. Roofracks and vehicle can be damaged if the item transported is rigidly fixed at points on both the cabin and canopy. Instead, rigidly fix to either the cabin roofracks or the canopy roofracks.



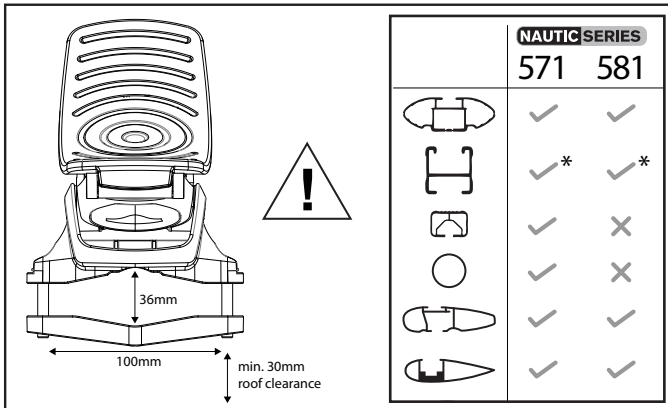


Rhino-Rack NAUTIC SERIES 571, 581

Parts List

571

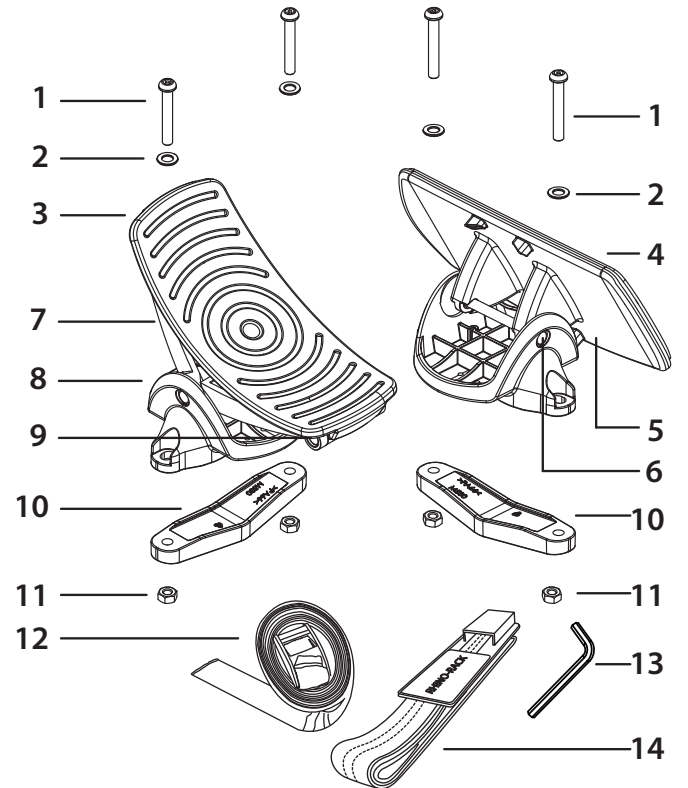
Item	Component Name	Qty	Part
1	M6 x 40mm Security Head Screw	8	B085
2	M6 Flat Washer	8	W003-BLK
3	Front Cradle Rest	2	M598
4	Rear Cradle Slide	2	-
5	Glide Moulding	2	-
6	Hinge Pin Long	1	-
7	Kayak Carrier Arm	4	M594
8	Kayak Carrier Base	4	M596
9	Hinge Pin Short	1	-
10	Lower Clamp	4	M530
11	M6 Nyloc Nut	8	N022-BLK
12	5.5m Tie Down Strap	2	-
13	Allen Key	1	H002
14	3m Covered Buckle Strap	2	-
15	Instructions	1	R234



581

Item	Component Name	Qty	Part
1	Locking Cover	4	M600
2	M6 Nyloc Nut	4	N022-BLK
3	Turn Wheel	4	M599
4	M6 Flat Washer	4	W003-BLK
5	Front Cradle Rest	2	M598
6	Rear Cradle Slide	2	-
7	T-bolt M6 x 30mm	4	B183
8	5.5m Tie Down Strap	2	-
9	3m Covered Buckle Strap	2	-
10	Keys	2	-
11	Glide Moulding	2	-
12	Kayak Carrier Arm	4	M594
13	Hinge Pin Short	4	-
14	Kayak Carrier Base	4	M595
15	Hinge Pin Long	4	-
16	Fitting Instructions	1	R234

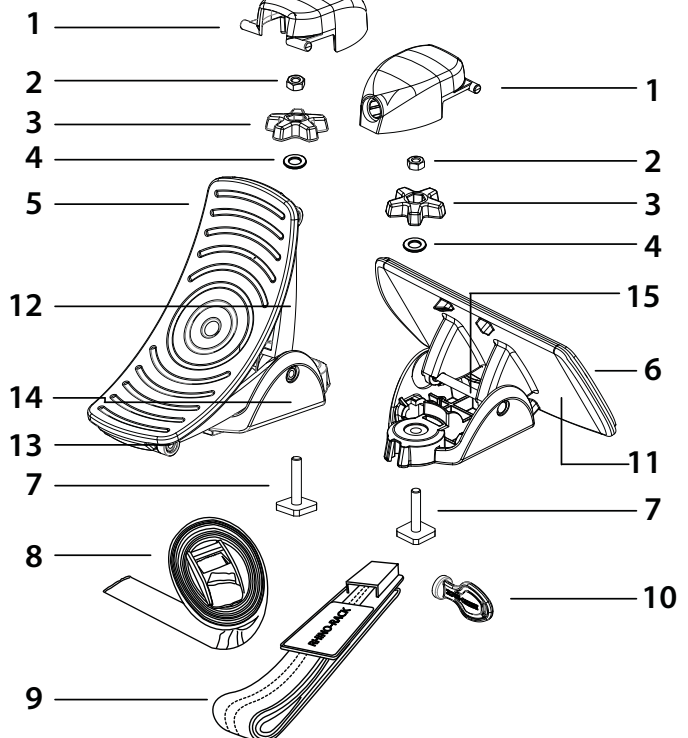
571



Care Instruction:

Wash and clean vehicle roof racks prior to fitment

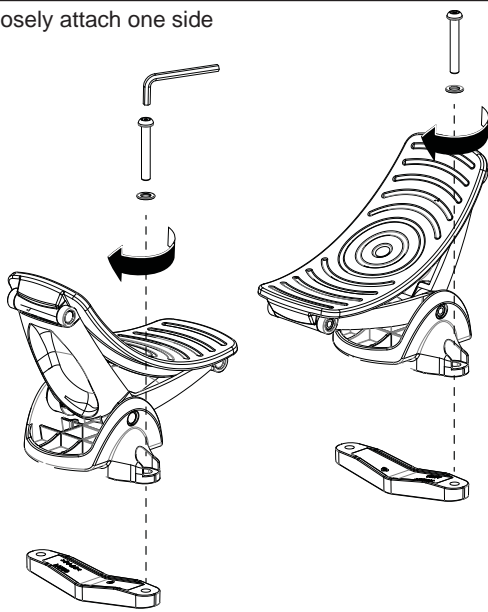
581



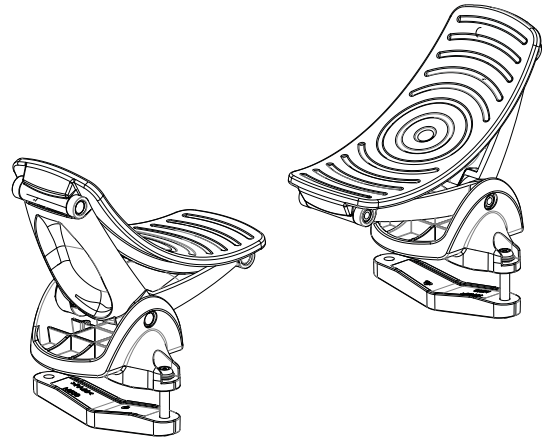


571 Fitting Instructions

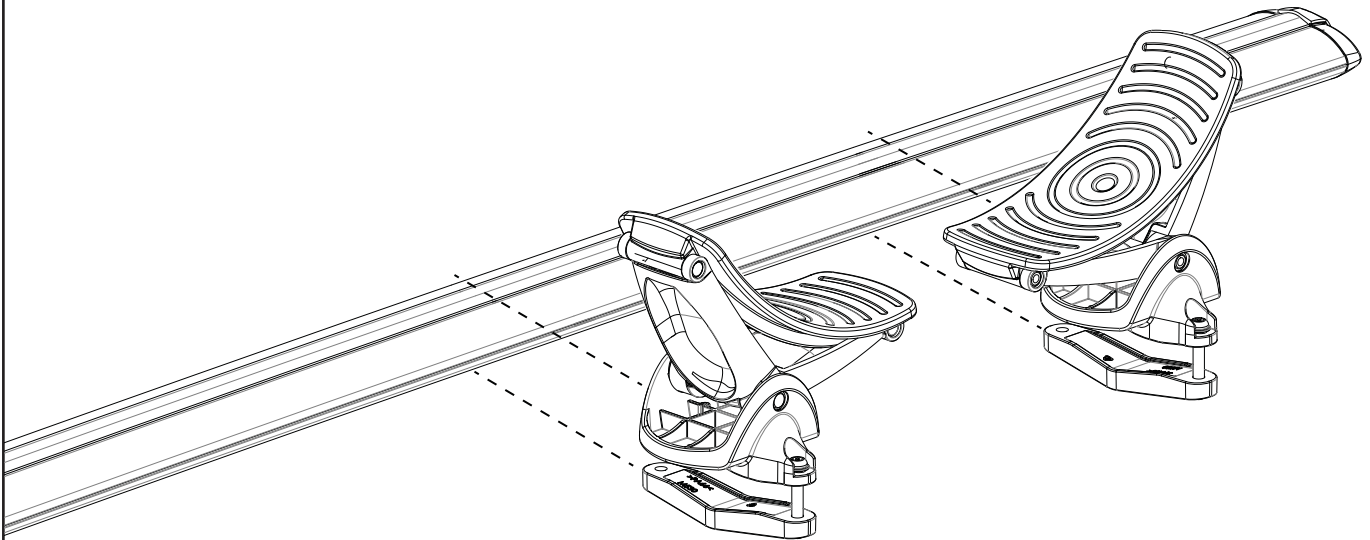
1 Loosely attach one side



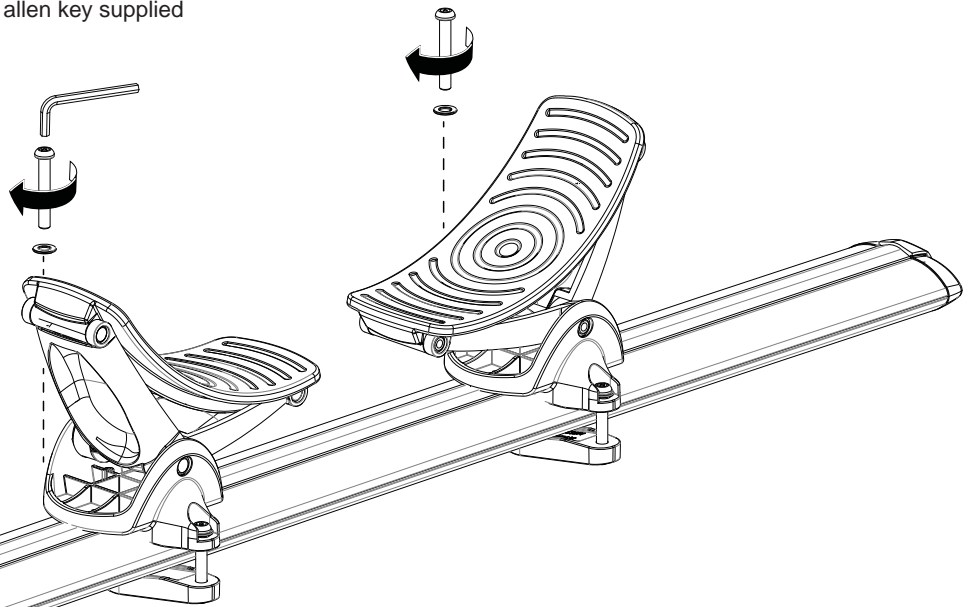
2



3 With one side attached, position cradles over the FRONT cross bars



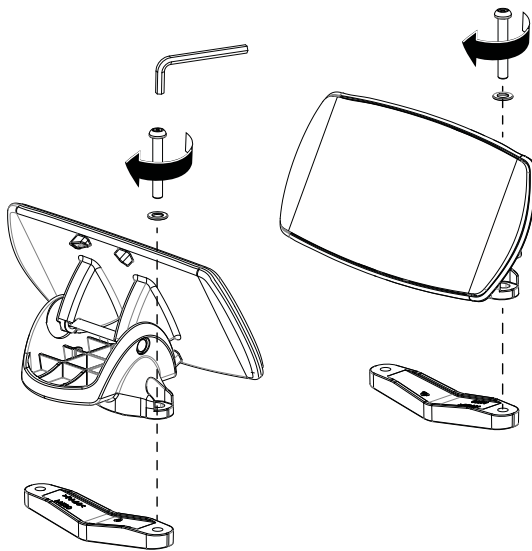
4 Securely tighten screws with the allen key supplied



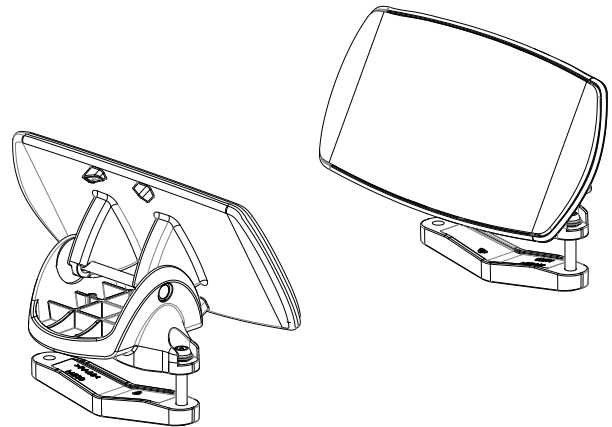


Rhino-Rack NAUTIC SERIES 571, 581

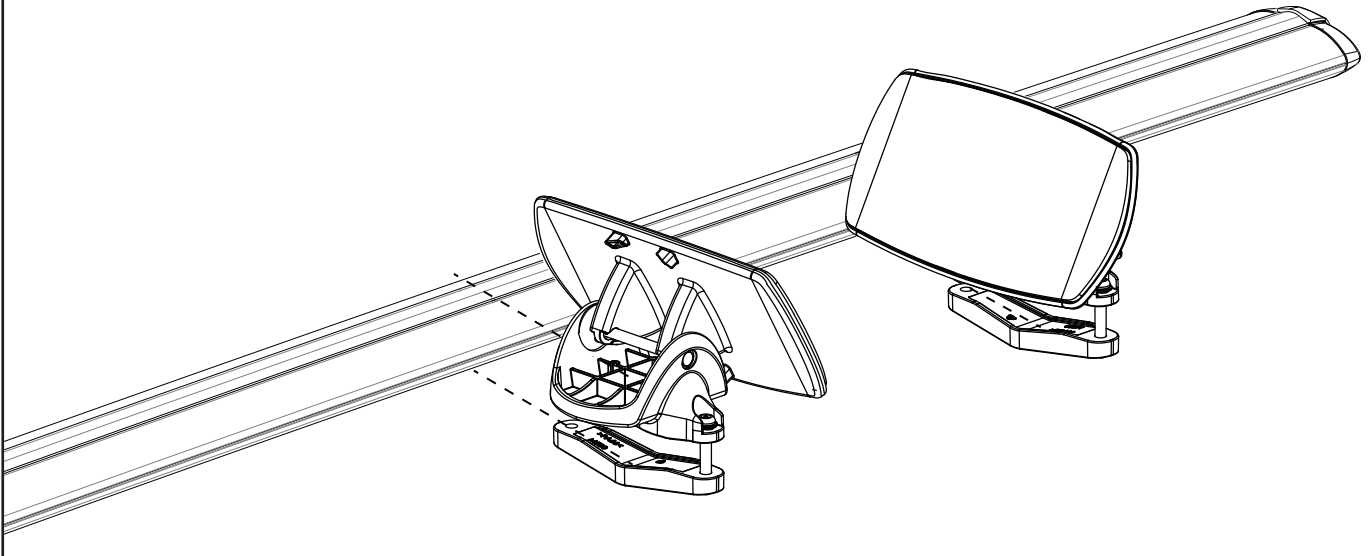
5 Loosely attach one side



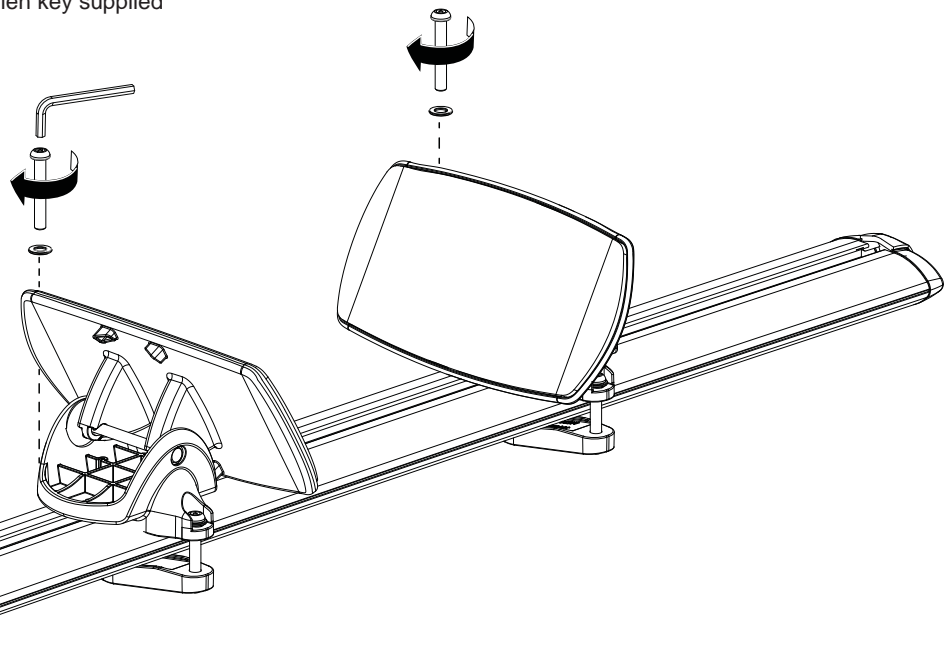
6



7 With one side attached, position cradles over the REAR cross bars



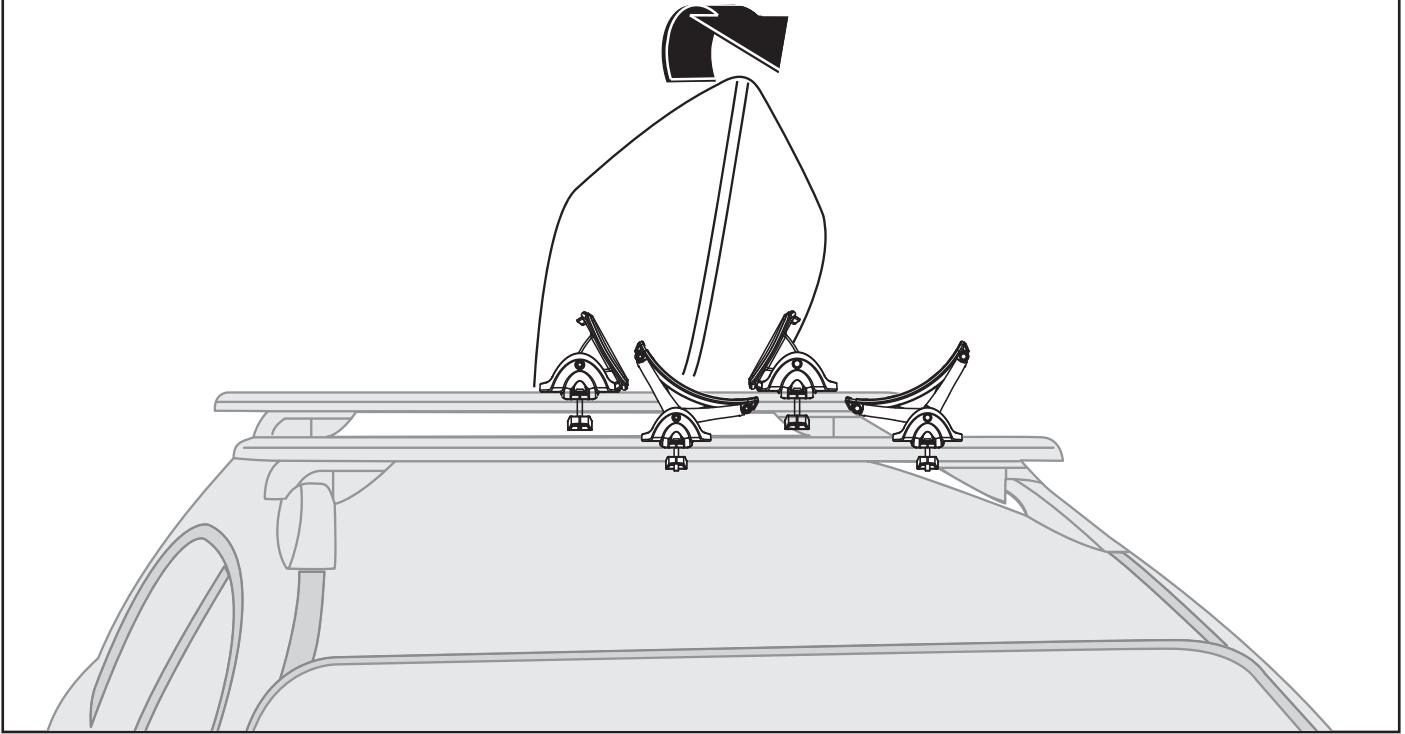
8 Securely tighten screws with the allen key supplied



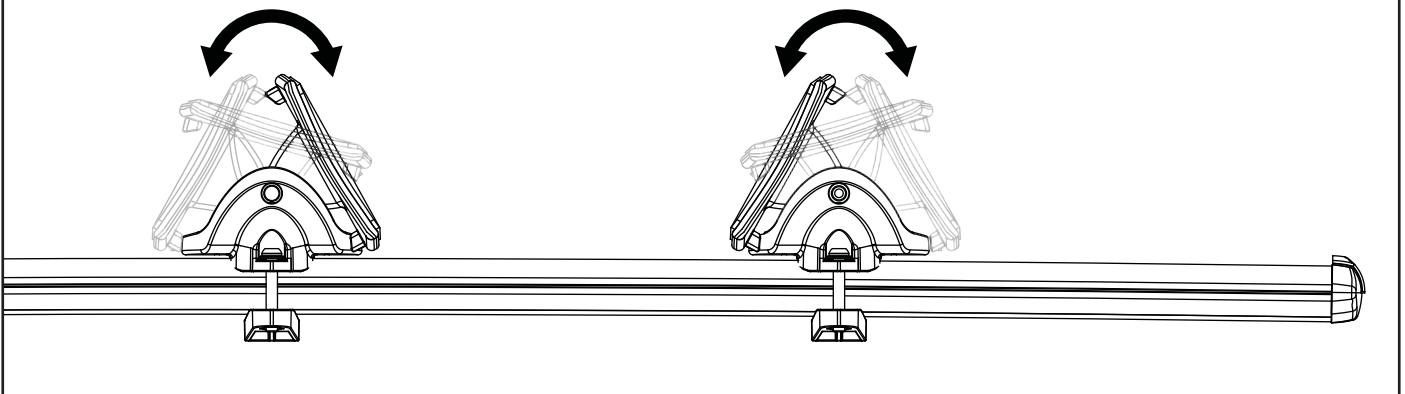


Rhino-Rack NAUTIC SERIES 571, 581

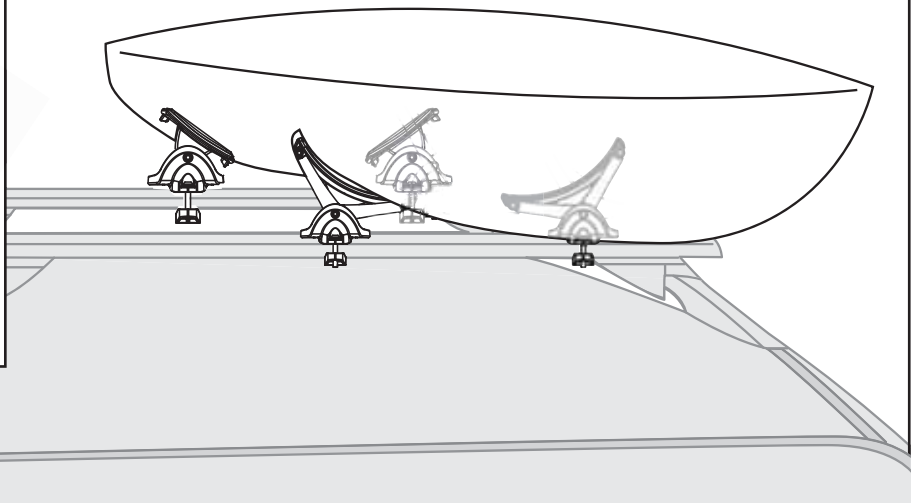
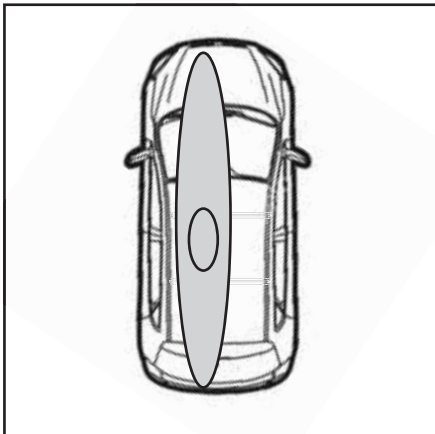
9 Load the kayak onto the REAR cradles. It may be necessary to readjust the position to ensure it fits securely



10 When loading, rear cradles can pivot to accommodate for the various width along the length of the kayak



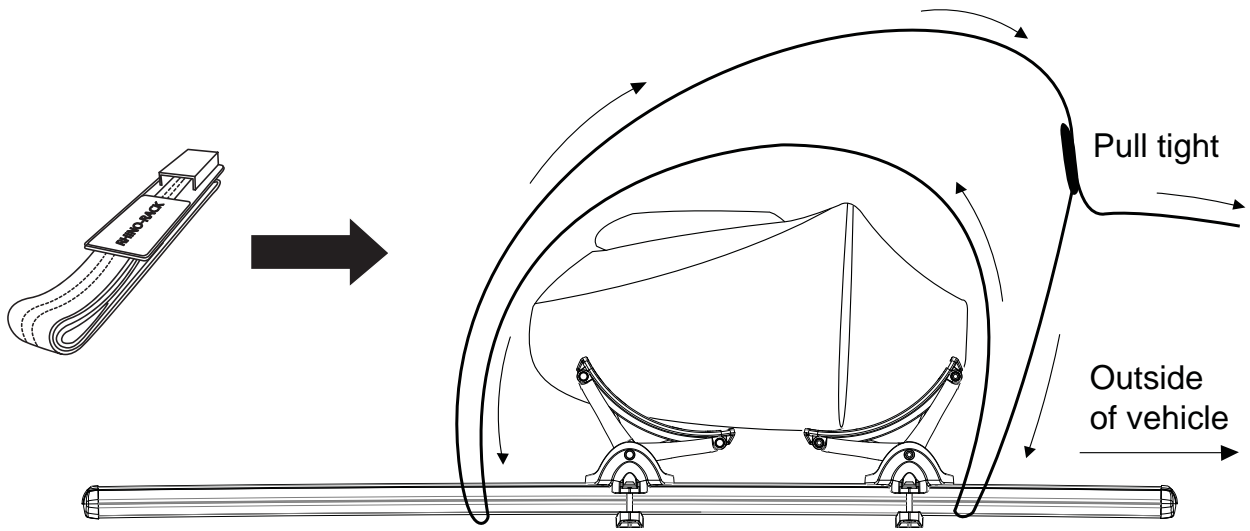
11 Make sure the kayak is in line with the vehicle as shown



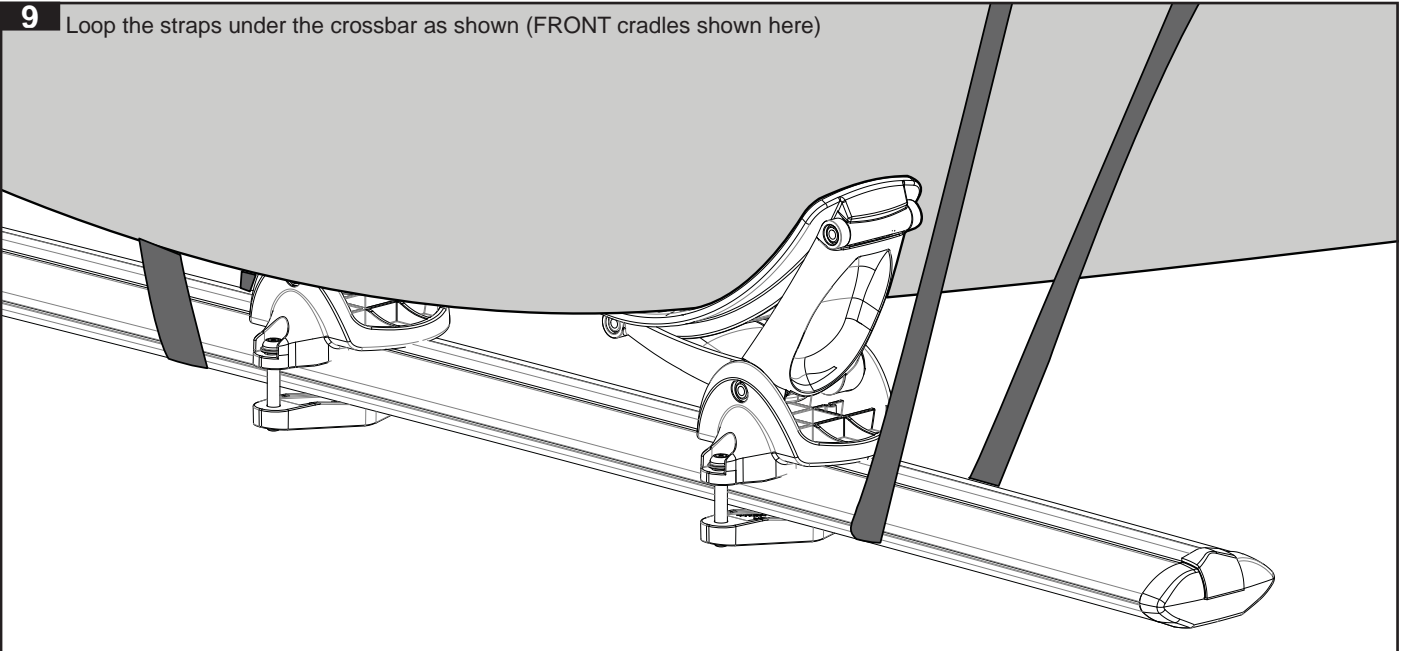


Rhino-Rack **NAUTIC SERIES** 571, 581

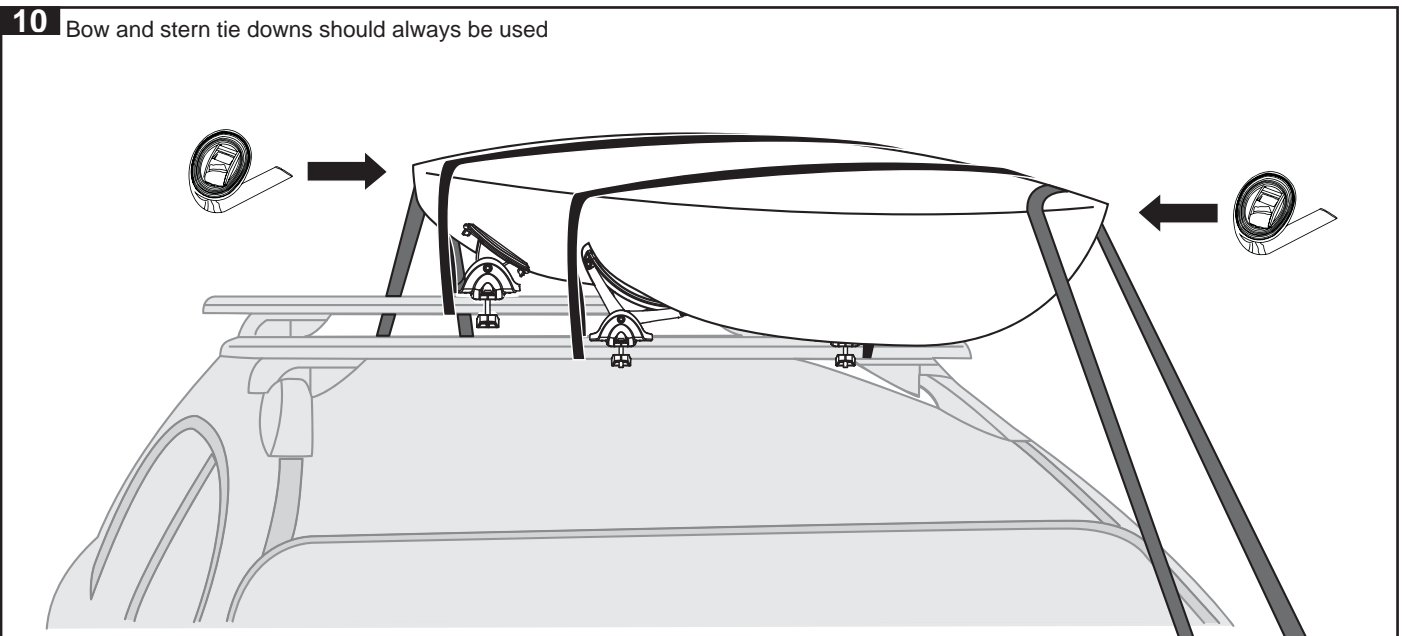
8 Straps should always pass under the crossbar as shown



9 Loop the straps under the crossbar as shown (FRONT cradles shown here)



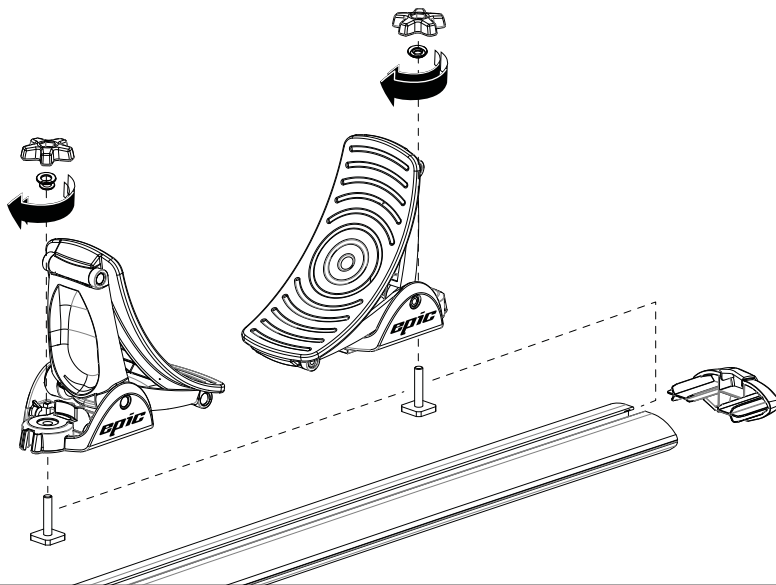
10 Bow and stern tie downs should always be used



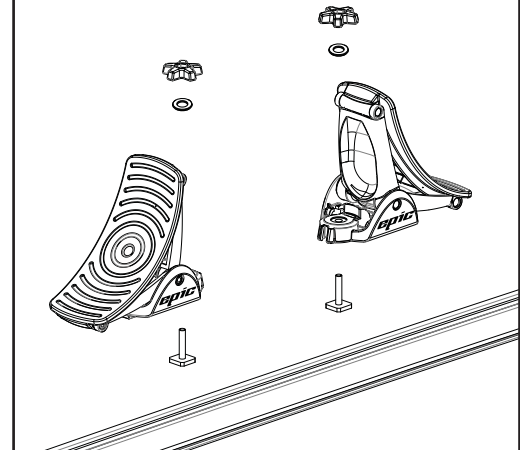


581 Fitting Instructions

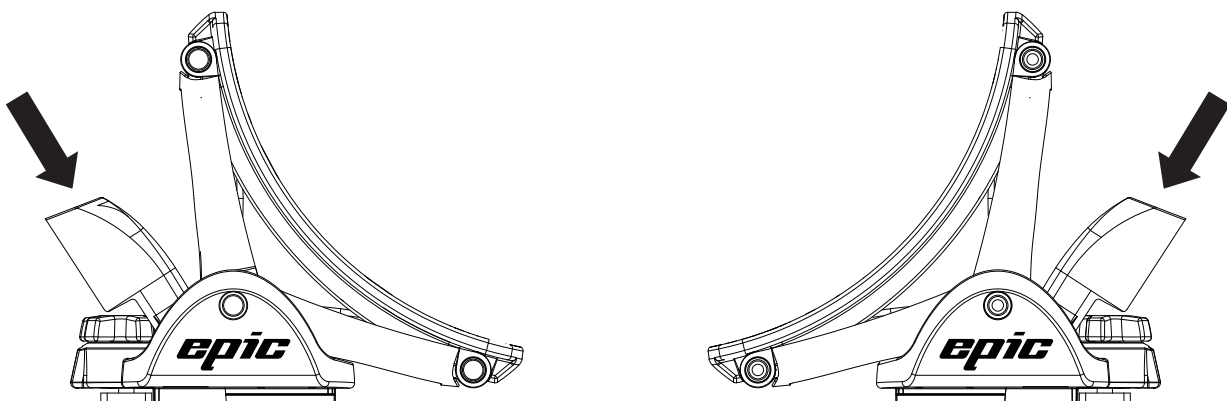
1 Insert T-bolts into channel and tighten dials



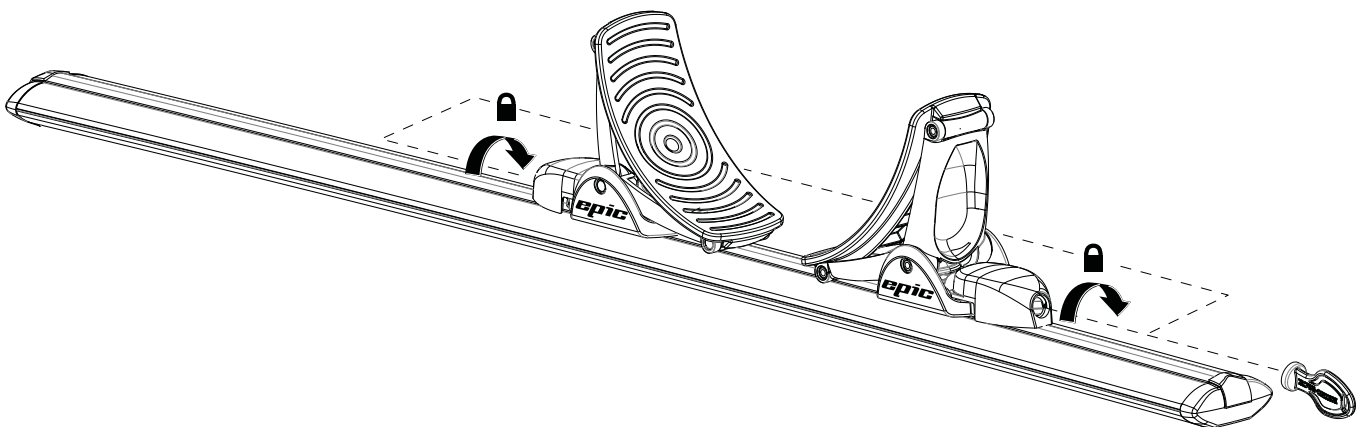
Alternative setup
Locks can also face inwards



2 Insert locking covers



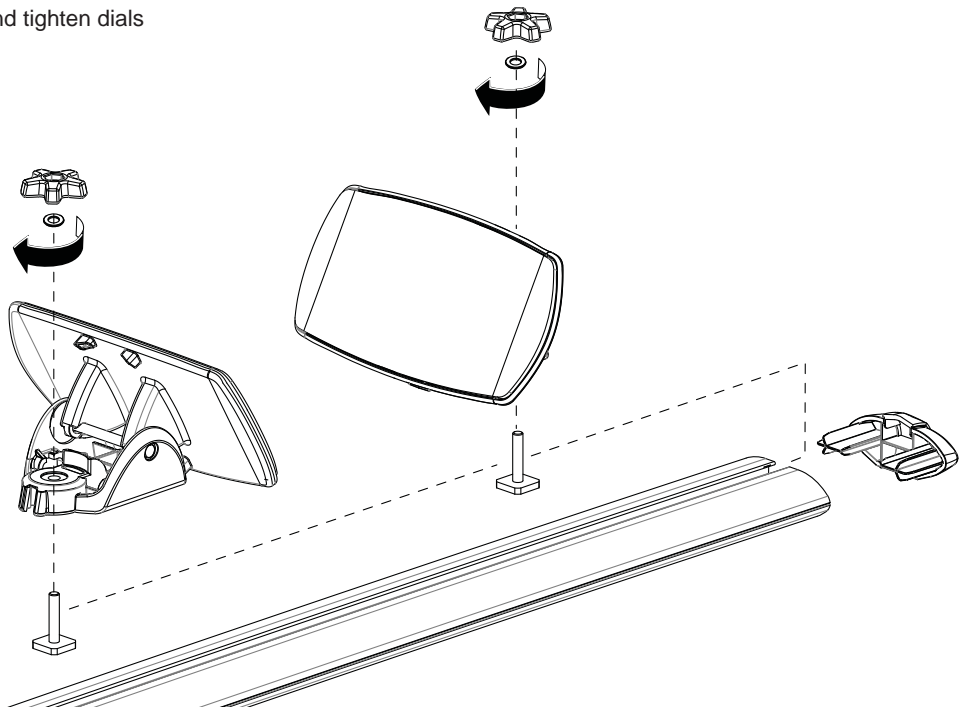
3





Rhino-Rack **NAUTIC SERIES** 571, 581

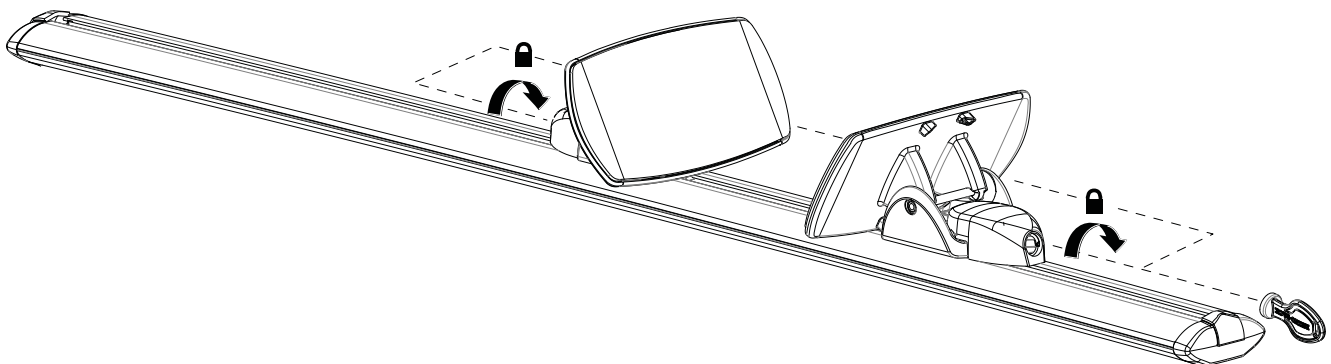
4 Insert T-bolts into channel and tighten dials



5 Insert locking covers



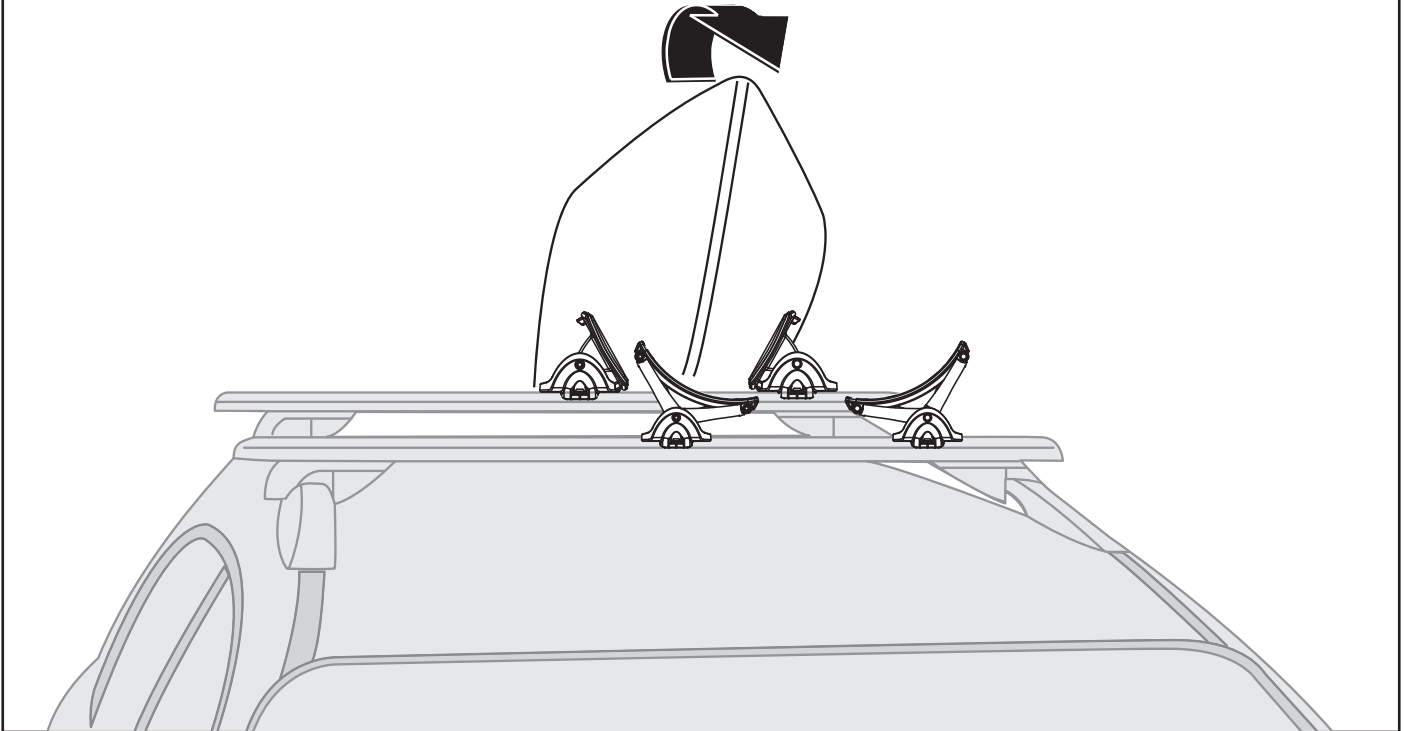
6



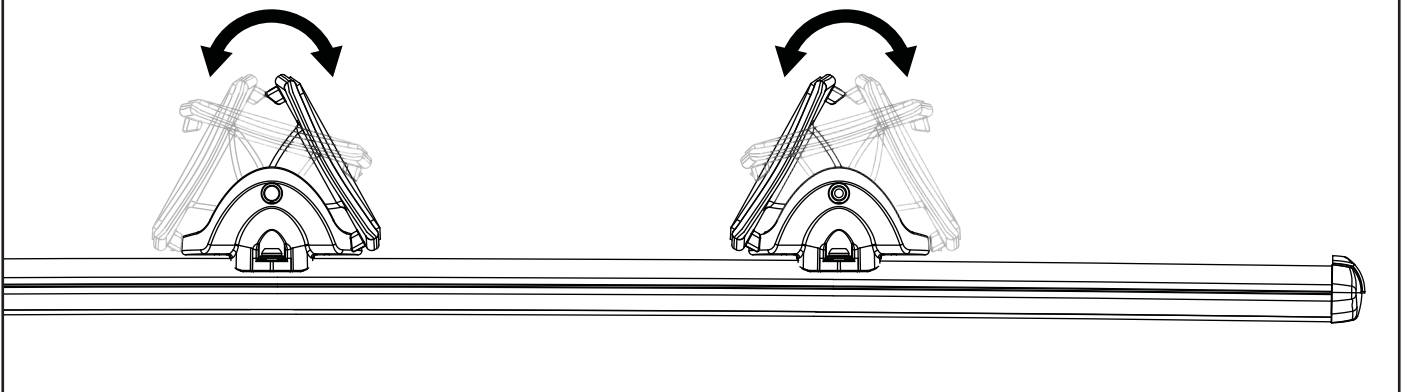


Rhino-Rack NAUTIC SERIES 571, 581

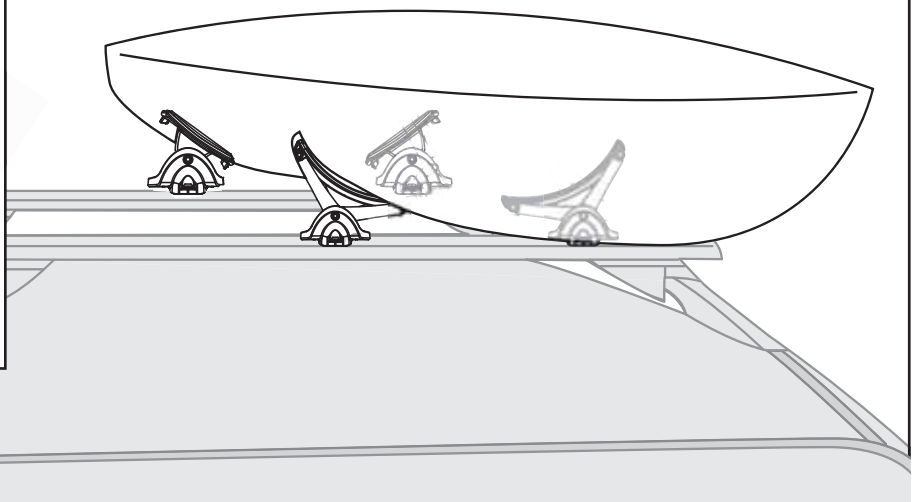
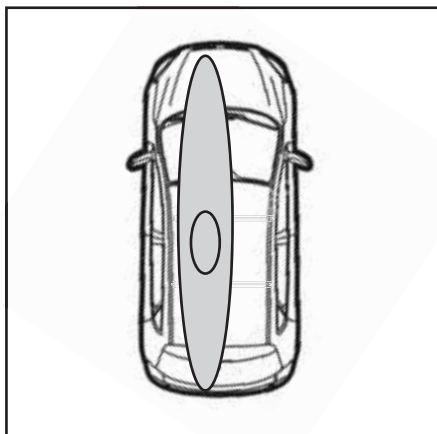
7 Load the kayak onto the REAR cradles. It may be necessary to readjust the position to ensure it fits securely



8 When loading, rear cradles can pivot to accommodate for the various width along the length of the kayak



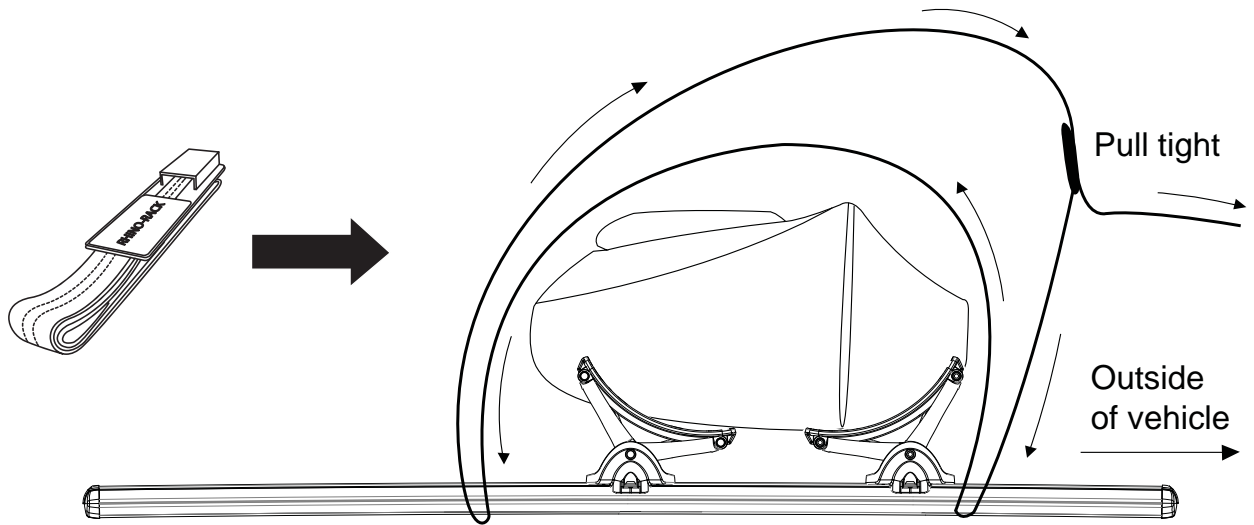
9 Make sure the kayak is in line with the vehicle as shown



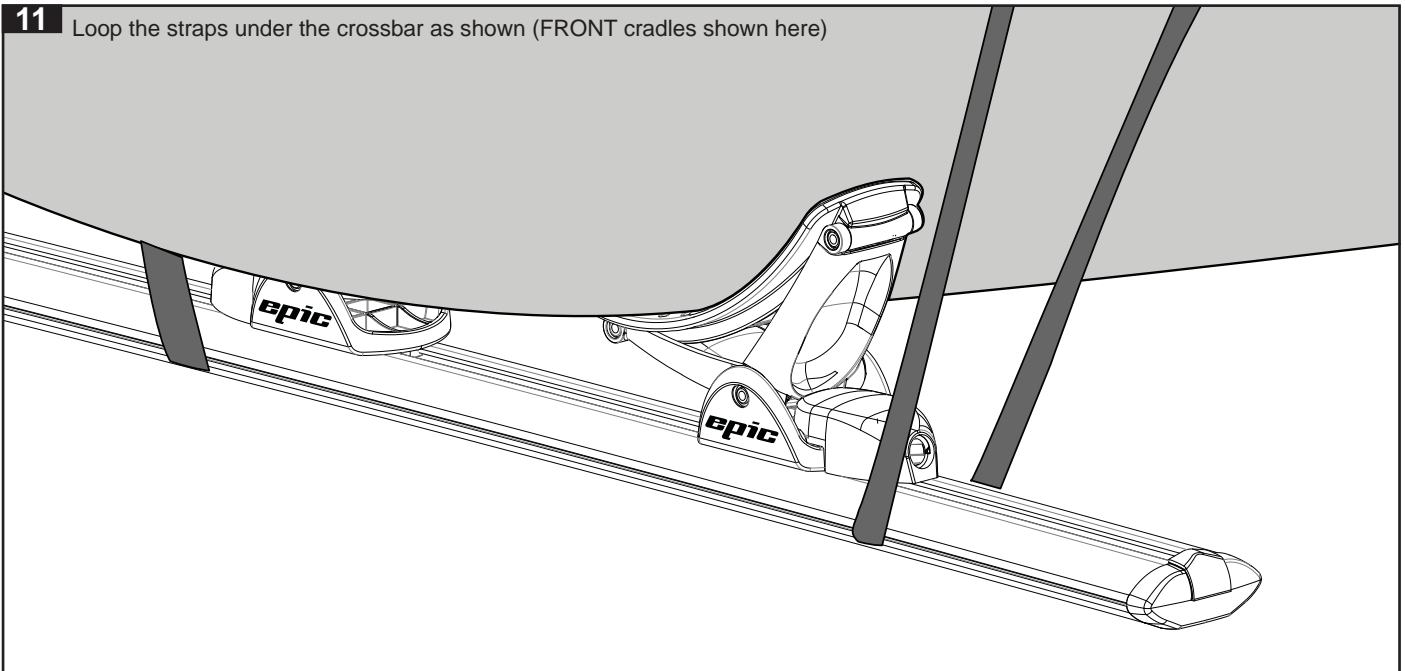


Rhino-Rack **NAUTIC SERIES** 571, 581

10 Straps should always pass under the crossbar as shown



11 Loop the straps under the crossbar as shown (FRONT cradles shown here)



12 Bow and stern tie downs should always be used

