



# RHINO-RACK®

## Side Loading Kayak Carrier

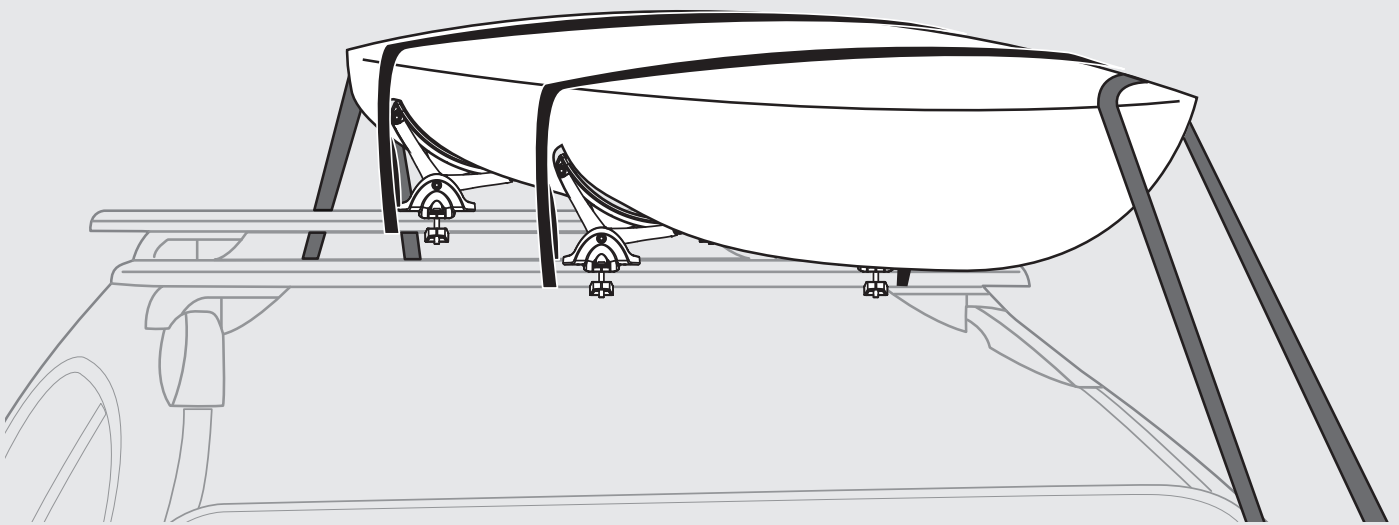
570, 580

**Important:**

1. Check the Rhino-Rack website to ensure you have the latest issue of these instructions.
2. Please refer to your fitting instruction to ensure that the accessory is installed in the correctly.
3. Check the contents of kit before commencing fitment and report any discrepancies.
4. Place these instructions in the vehicle's glove box after installation is complete.
5. These instructions must be followed for warranty to be upheld.

**Fit Time:** 15 mins

### NAUTIC SERIES



## Carrying Capacity

Check the vehicle owners hand book for your vehicle manufacturer's maximum carrying capacity. Do not exceed the vehicle manufacturer's maximum roof carrying capacity.

The weight of the roof racks, accessories, and kayaks must be included in the total vehicle roof load.

**Ensure that all loads are evenly distributed** and that the centre of gravity is kept as low as possible.

## Warning

- Do not attempt to fit the accessory to your vehicle unless you fully understand these fitting instructions. Please direct any questions regarding fitting to the dealer from where the product was purchased.
- Off-road conditions can be much more rigorous. Extreme care must be taken in off road conditions.
- Accessory must be removed when vehicle is put through an automatic car wash.
- Always ensure you fasten your load securely.

## In service maintenance checks

- All bolted connections should be checked after driving a short distance when you first install your roof racks & accessories.
- All bolted connections should be checked again at regular intervals (every 1000k/621mi) is recommended, depending on road conditions, usage, loads and distances travelled). All bolted connections should be checked each time they are re-fitted.

### Torque Settings:

Unless stated otherwise in these instructions, all fasteners should be set to the following torque settings:



**4-5Nm**  
3-4lbs/ft



**8-10Nm**  
6-7.5lbs/ft



**16-18Nm**  
12-13lbs/ft

## Sensitivity to Crosswinds, Behaviour in Curves and Braking.

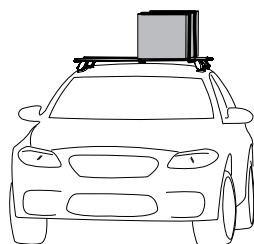
Remember that the handling characteristics of your vehicle will change when transporting a load on the roof.

Exercise extreme care when transporting wind-resisting loads; special consideration must be taken into account when braking.

## Note for Dealers and Fitters

It is your responsibility to ensure these fitting instructions are given to the end user or client. These instructions remain the property of Rhino-Rack Australia Pty. Ltd. and may not be used or changed for any other purpose than intended.

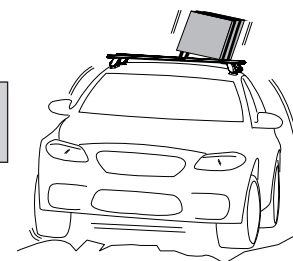
When these roof racks are to be used on a vehicle that is driven off sealed roads the maximum load rating must be divided by 1.5. Remember to subtract the weight of the roof racks to determine your maximum permissible load capacity.



**60kg load rating**  
(Urban road)

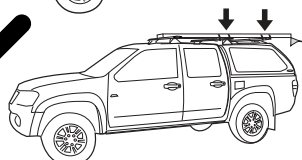
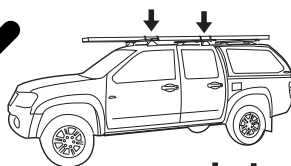
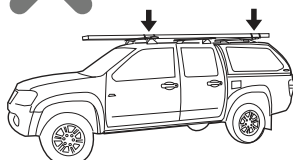
=

**30kg load rating**  
(Off road - 60kg / 2)

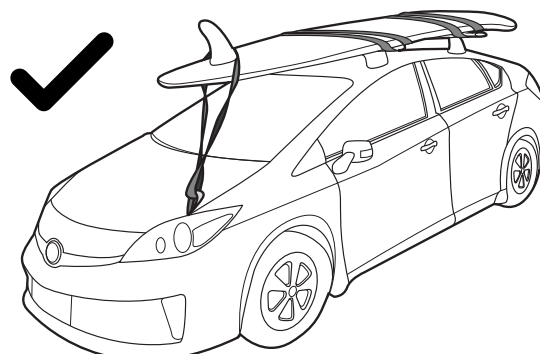


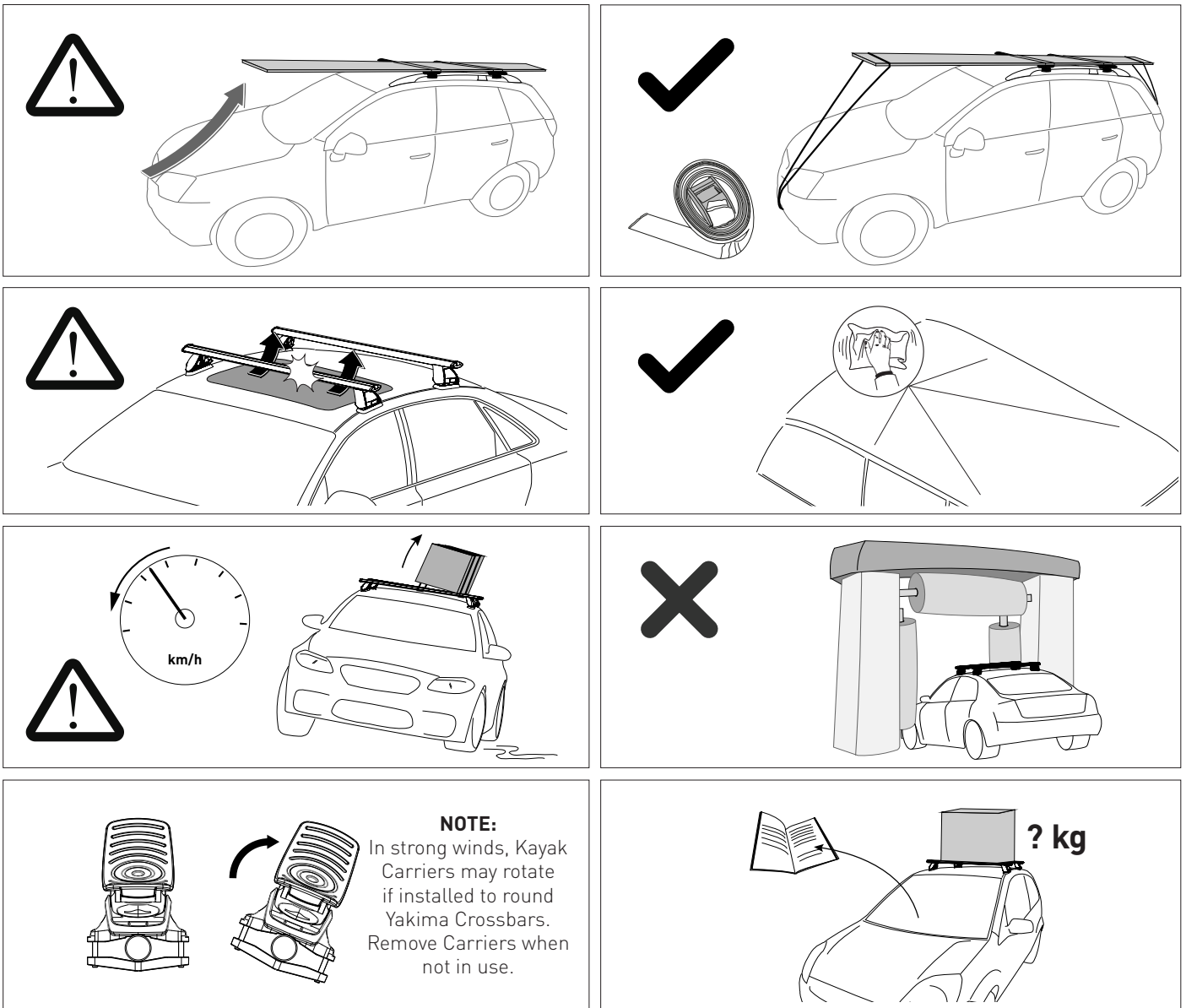
### WARNING! Important Load Carrying Instructions

With utility vehicles, the cabin and the canopy move independently. Roof racks and vehicle can be damaged if the item transported is rigidly fixed at points on both the cabin and canopy. Instead, rigidly fix to either the cabin roof racks or the canopy roof racks.



Paddle / Surfboards should be fixed to the front of the vehicle.





**Compatibility**

		570	580
<b>CROSS BARS</b>		✓	✓
		✓	✓
		✗	✓
		✓	✗
<b>PLATFORM</b>		✗	✓
		✗	✓

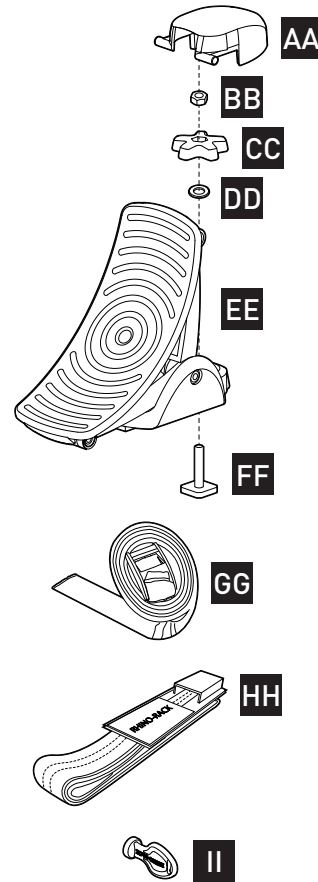
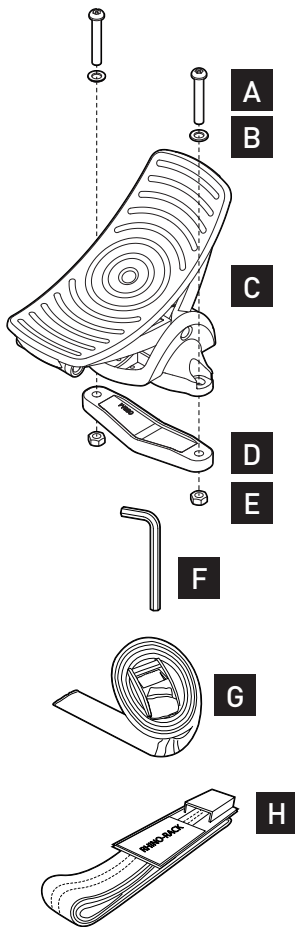
  

570 KAYAK CARRIER	580 KAYAK CARRIER
<p>36mm 100mm min. 30mm VEHICLE ROOF</p>	

Parts List

**570 KAYAK CARRIER**

**580 KAYAK CARRIER**



Item	570 KAYAK CARRIER KIT	Qty
A	M6 X 40mm Security Head Screw	8
B	M6 Flat Washer	8
C	Cradle Rest	4
D	Lower Clamp	4
E	M6 Nyloc Nut	8
F	Allen Key	1
G	5.5m Tie Down Strap	2
H	3m Covered Buckle Strap	2
	Instructions	1

Item	580 KAYAK CARRIER KIT	Qty
AA	Locking Cover	4
BB	M6 Hex Nut (in turn wheel)	4
CC	Turn Wheel	4
DD	M6 Flat Washer	4
EE	Cradle Rest	4
FF	M6 x 30mm T-Bolt	4
GG	5.5m Tie Down Strap	2
HH	3m Covered Buckle Strap	2
II	Keys	2
	Instructions	1

**Additional Components**

**570 KAYAK CARRIER**

**580 KAYAK CARRIER**

**HD-FK1 FIT KIT  
REQUIRED**  
(Sold separately)

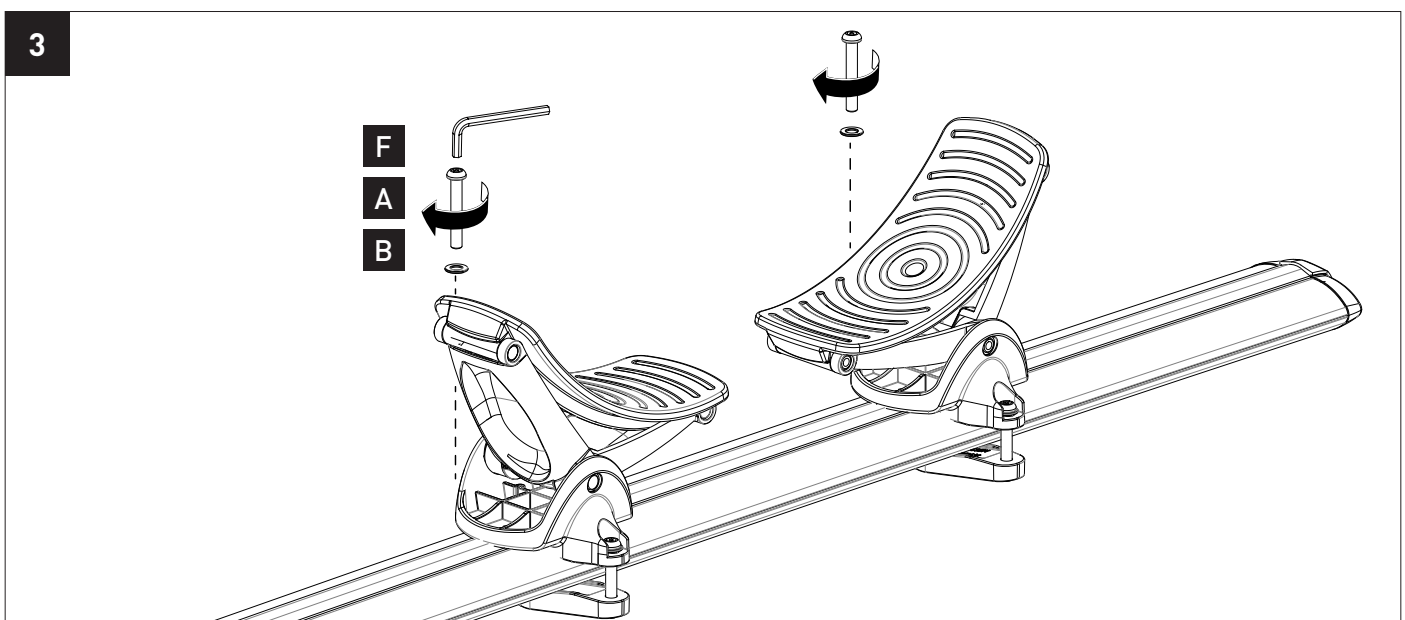
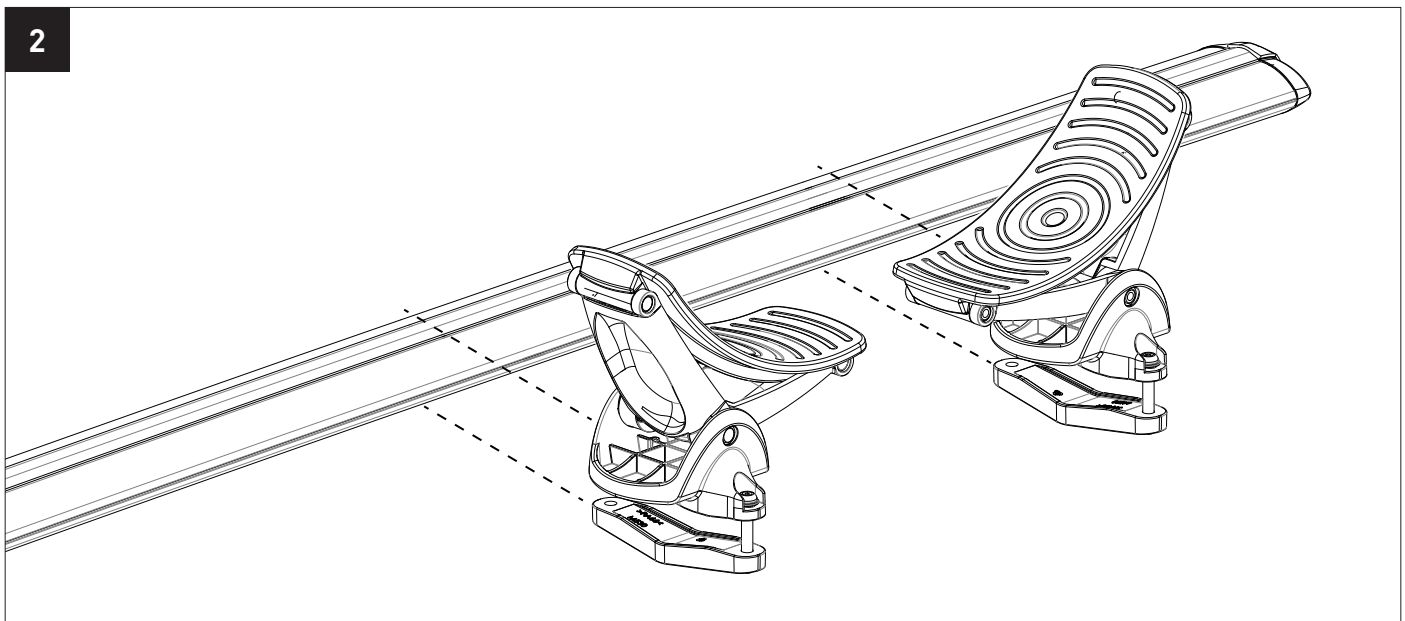
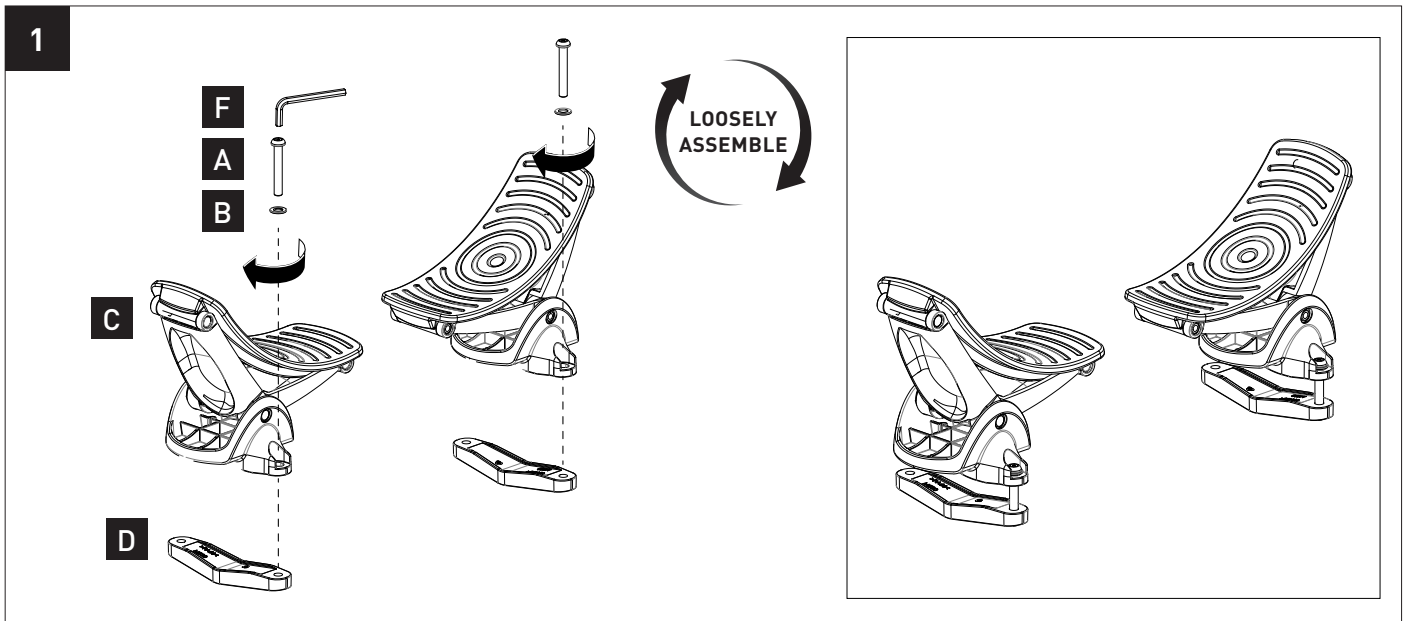
FOR HD BAR:
REFER TO INSTRUCTION: R1716

**HD-FK2 FIT KIT  
REQUIRED**  
(Sold separately)

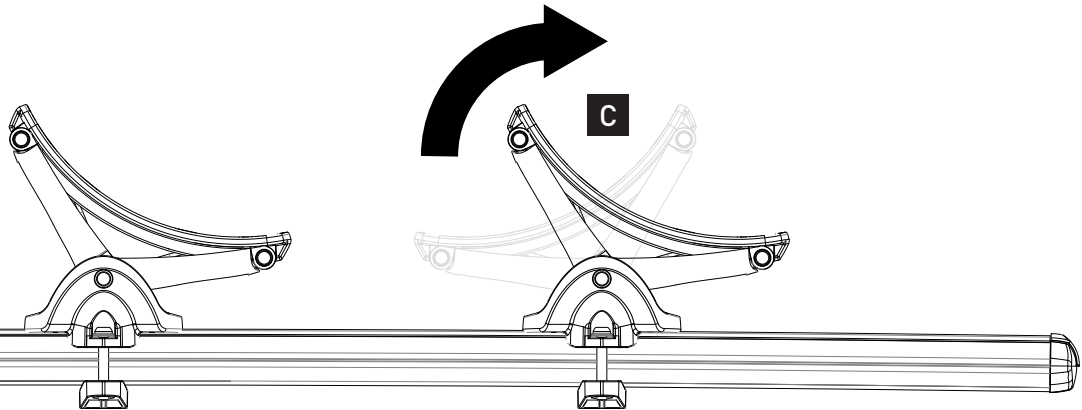
FOR HD BAR:
REFER TO INSTRUCTION: R250

**ACCESSORY BAR  
REQUIRED**  
(Sold separately)

FOR PLATFORM:
REFER TO SIZE-SPECIFIC INSTRUCTION

**570 KAYAK CARRIER (For Cross Bars only)****NOTE** Skip to **Page 8** for **580 CARRIER** Steps

4

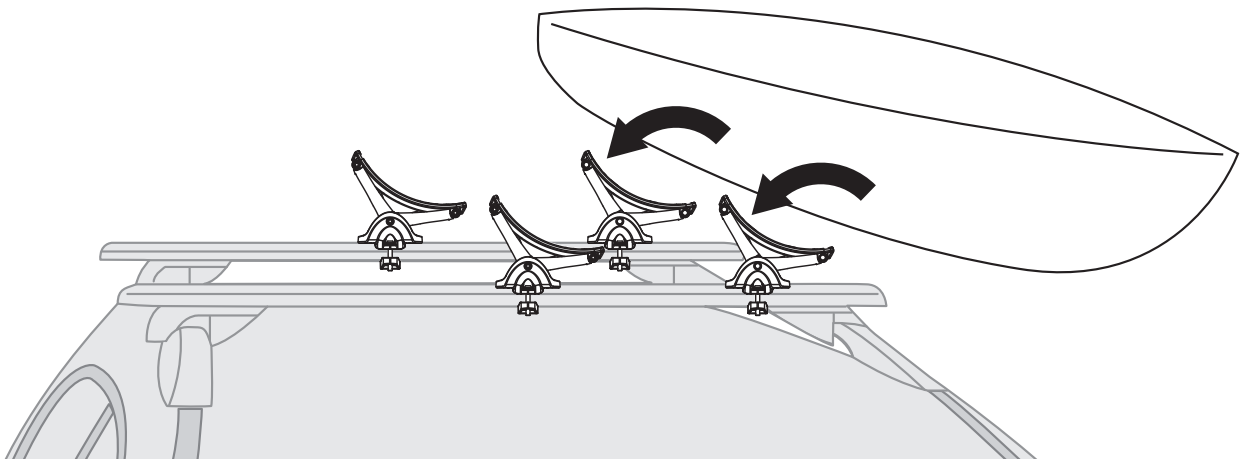


CENTRE OF  
VEHICLE

5

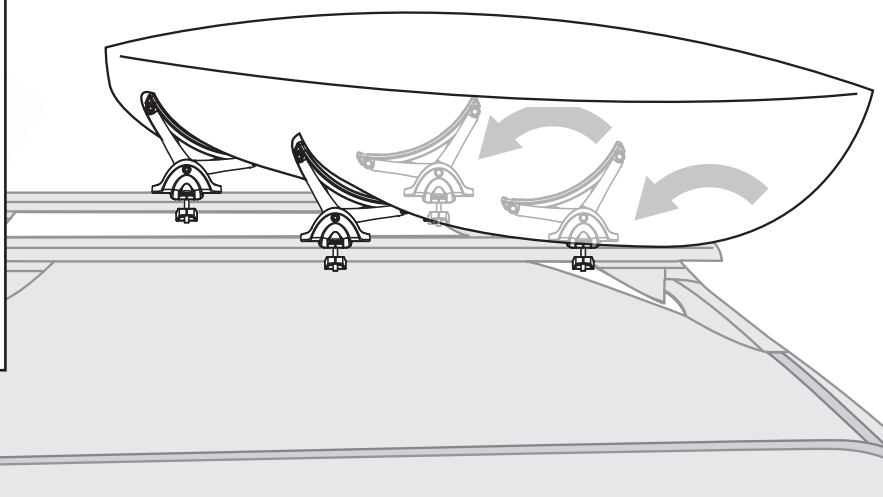
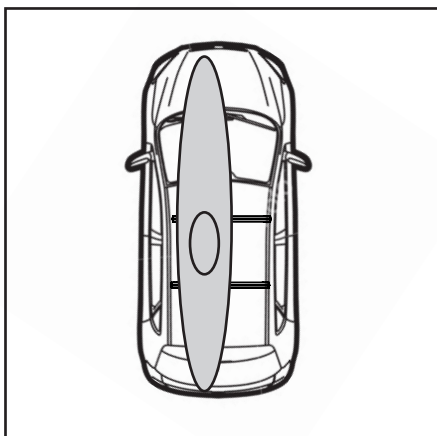
Load the kayak onto the cradles.

**NOTE:** It may be necessary to readjust the position to ensure it fits securely.

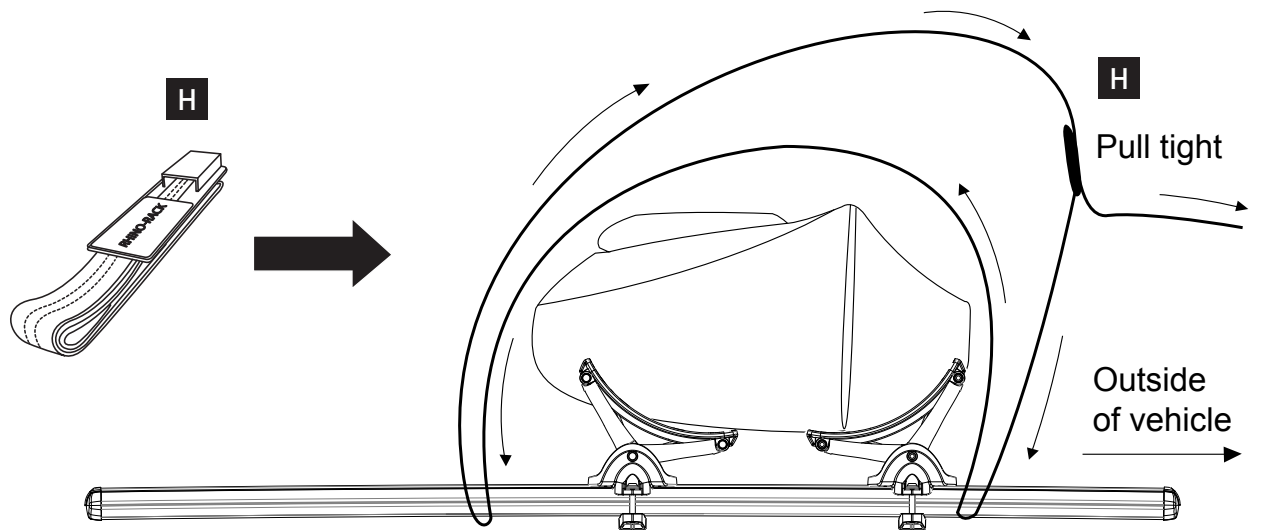


6

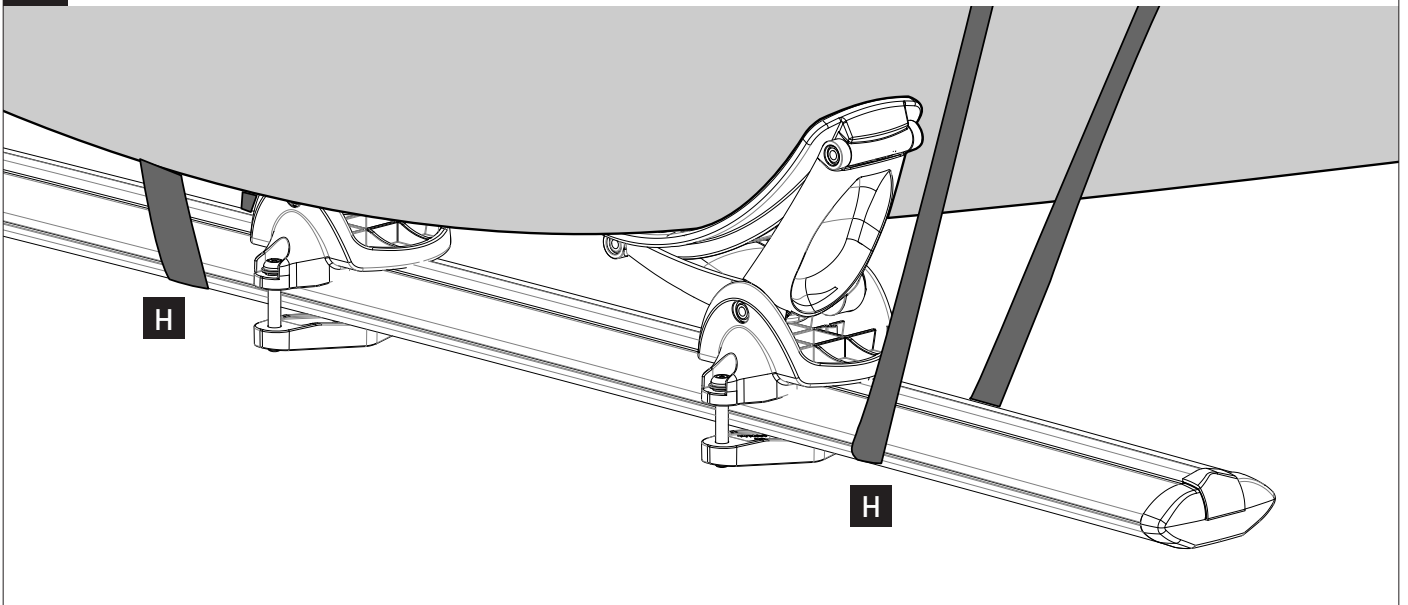
Ensure kayak is in line with the vehicle.



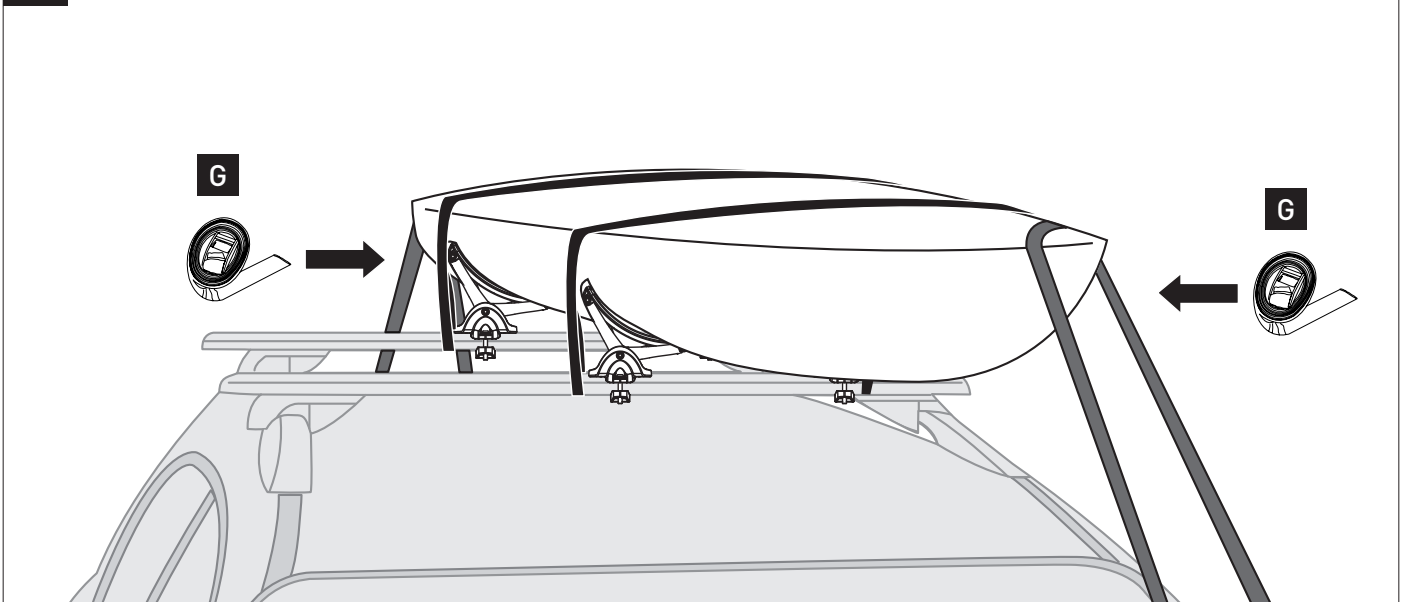
**7** Straps should always pass under the crossbar as shown



**8** Loop the straps under the crossbar as shown

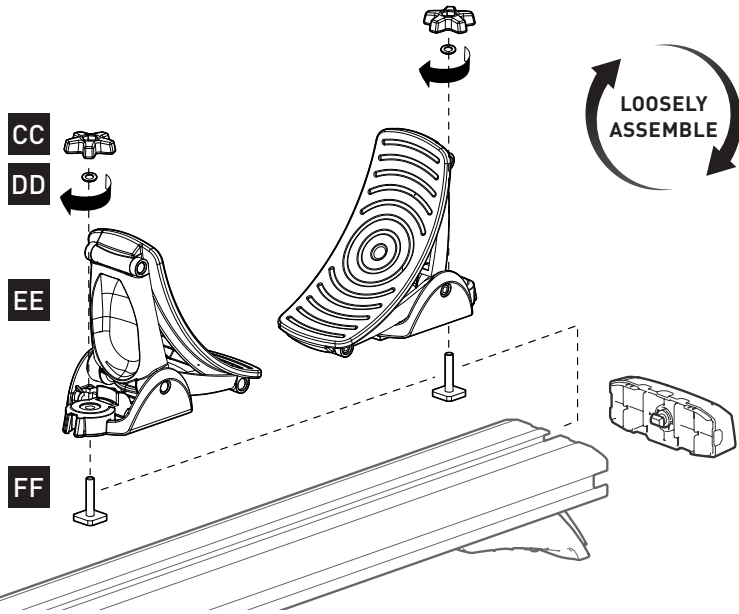
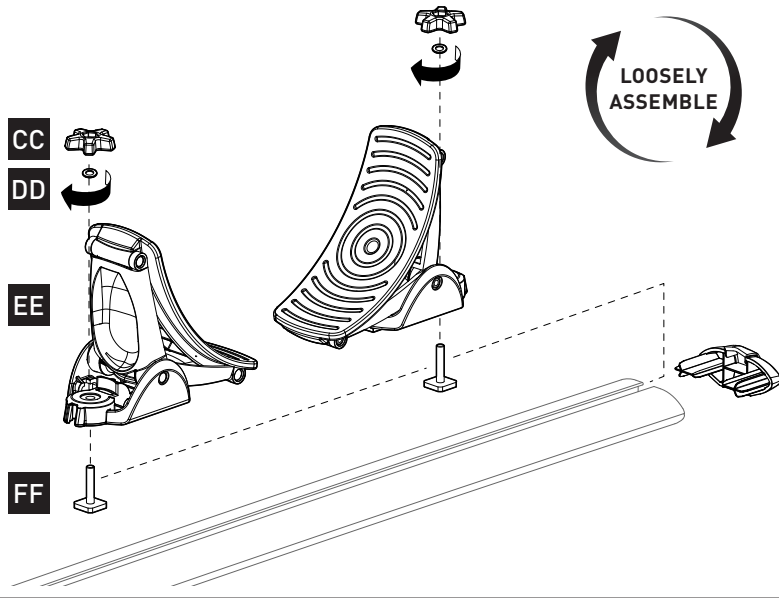
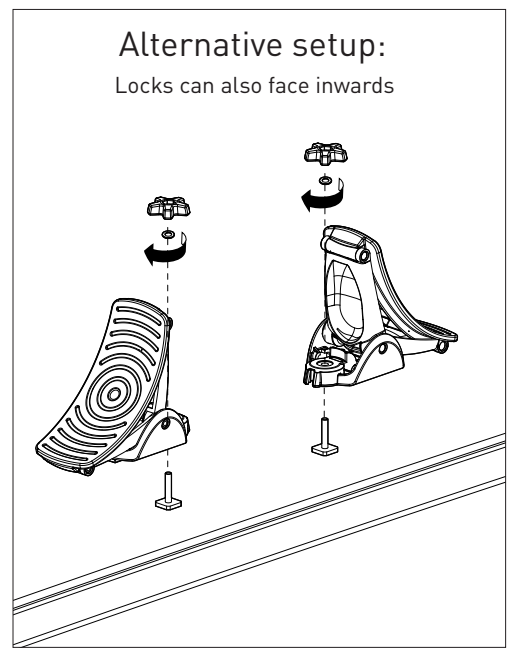


**9** Bow and stern tie downs should always be used.

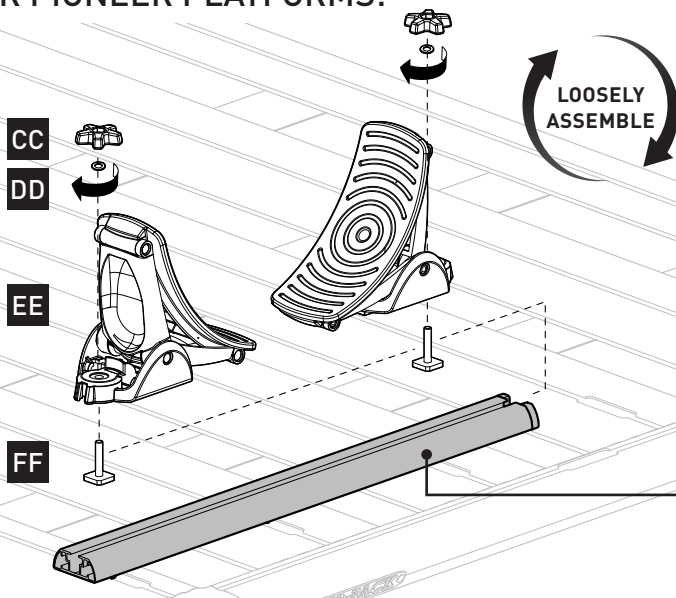


# 580 KAYAK CARRIER (For Cross Bars, Pioneer Platforms)

## 1a FOR CROSS BARS:



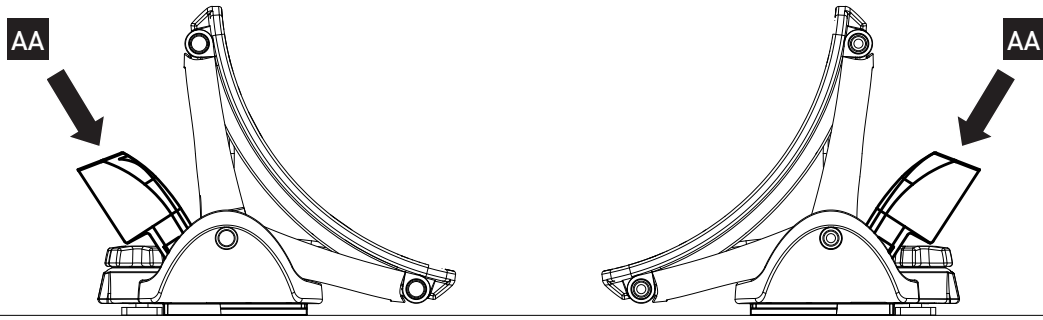
## 1b FOR PIONEER PLATFORMS:



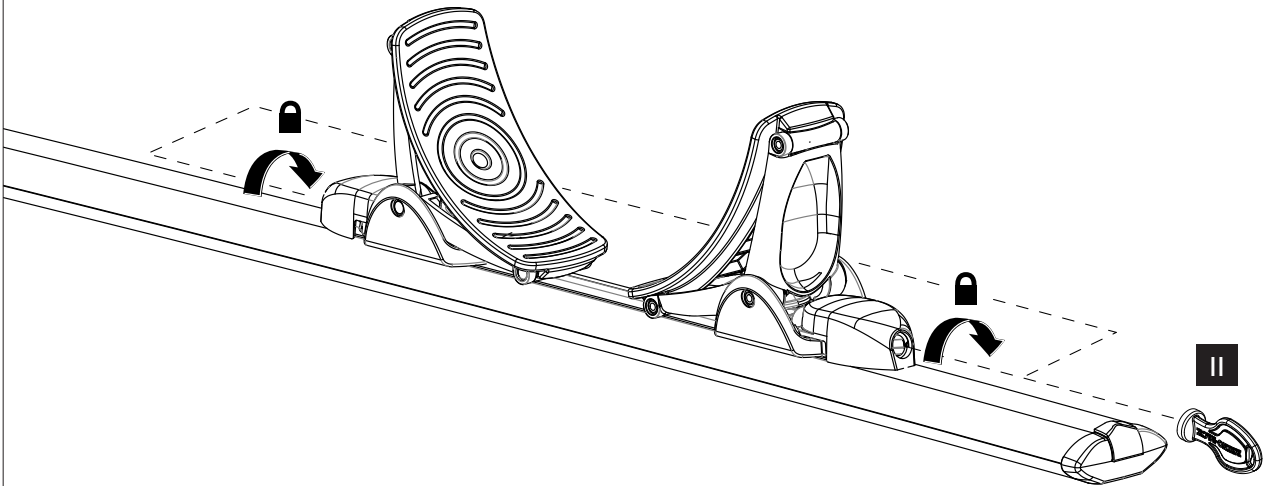
**NOTE: Accessory bar required.**  
(Sold Separately)



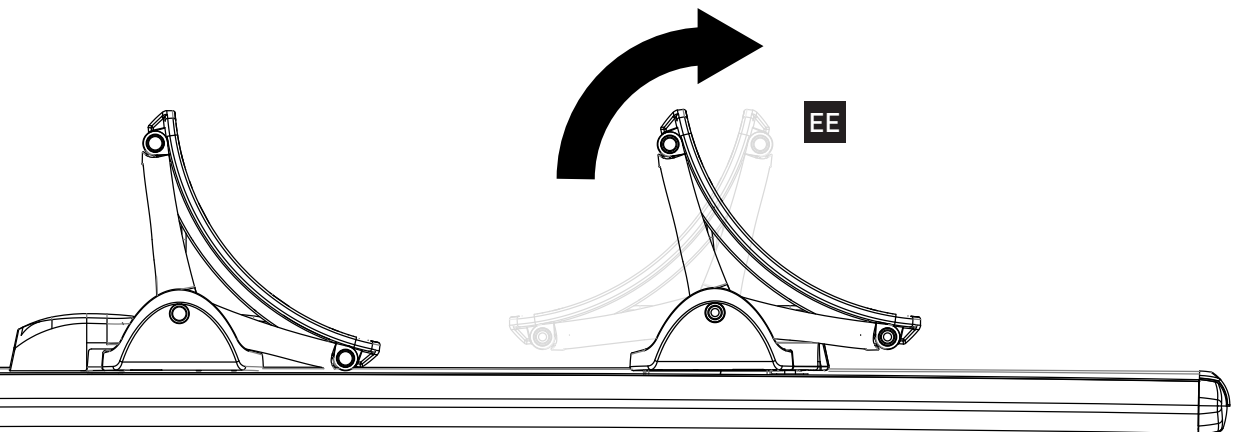
2



3



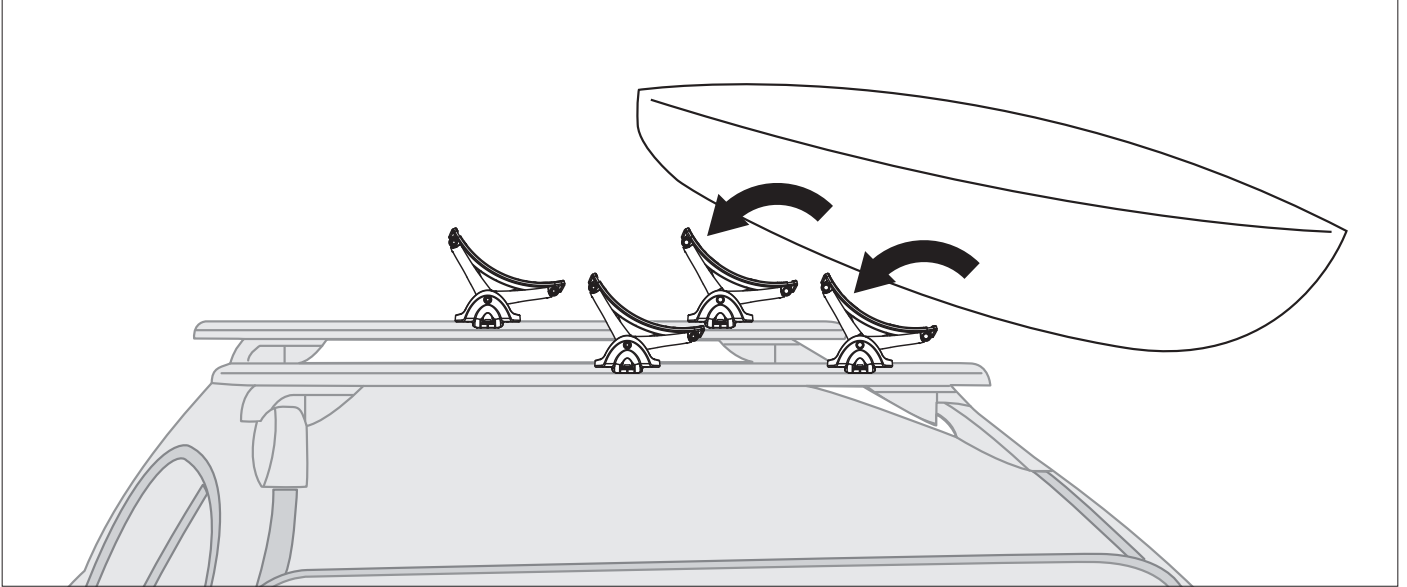
4



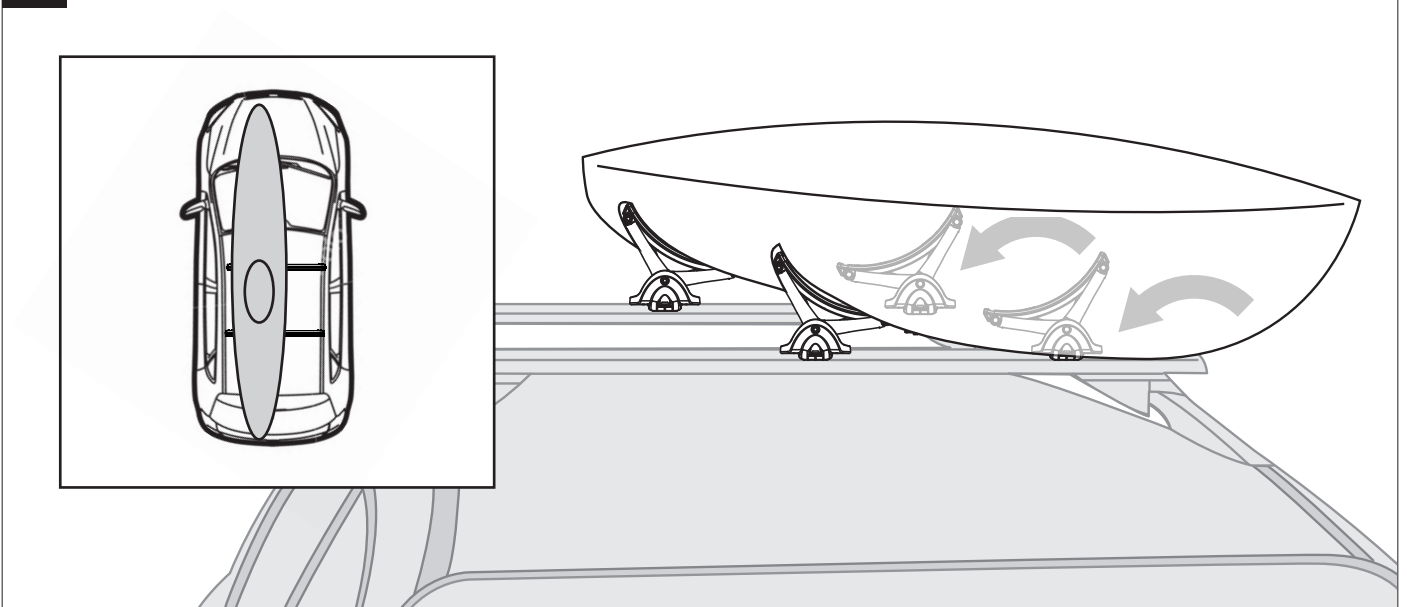
CENTRE OF  
VEHICLE

**5** Load the kayak onto the cradles.

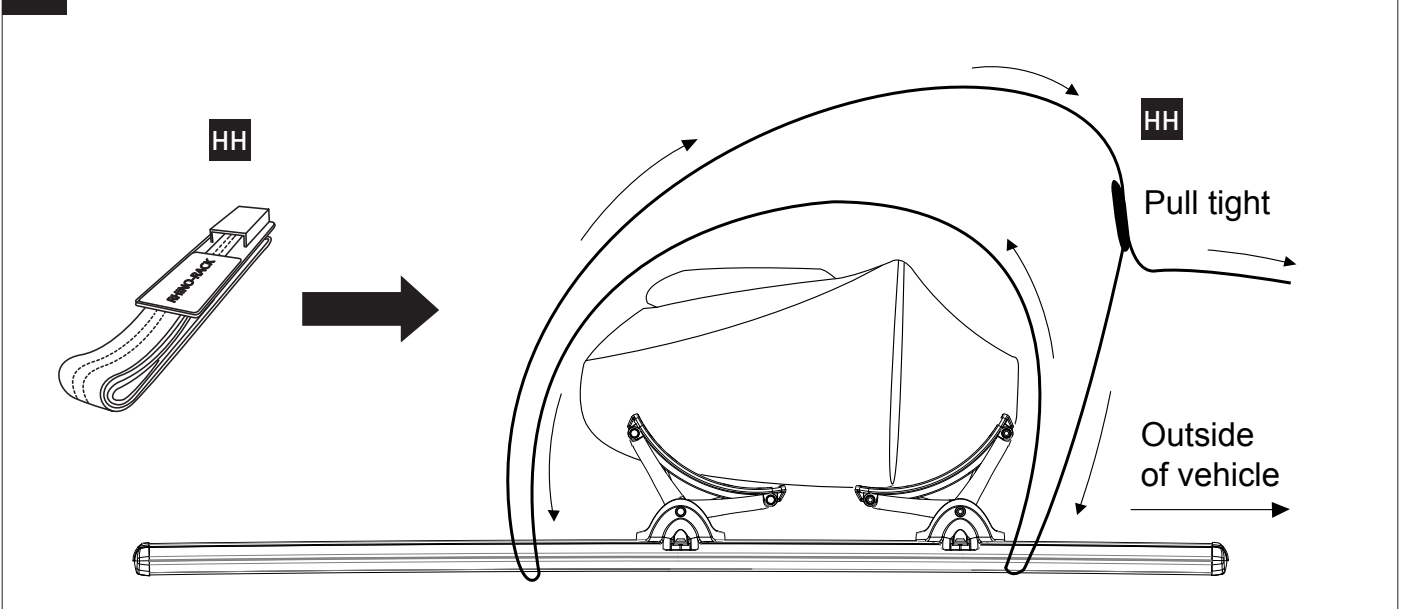
**NOTE:** It may be necessary to readjust the position to ensure it fits securely.



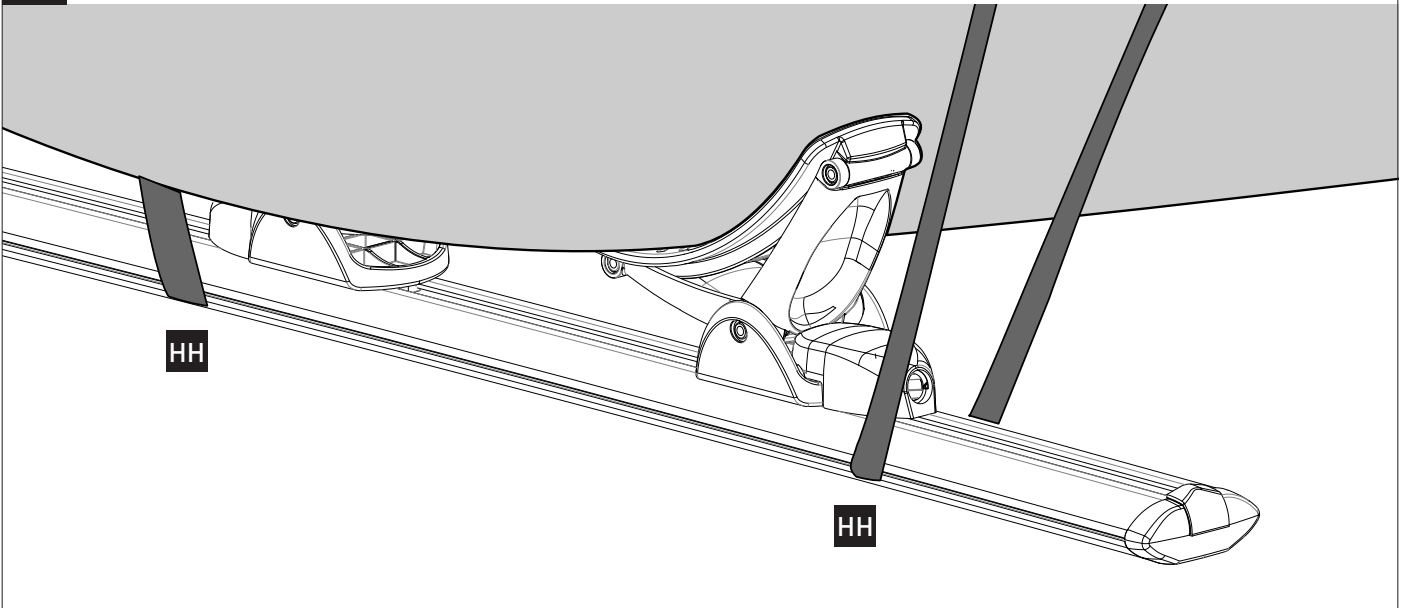
**6** Ensure kayak is in line with the vehicle.



**7** Straps should always pass under the crossbar as shown



**8** Loop the straps under the crossbar as shown



**9** Bow and stern tie downs should always be used.

