
INSTRUCTION MANUAL
MONO



MONO

ADVENTURE SERIES



KEY TIPS

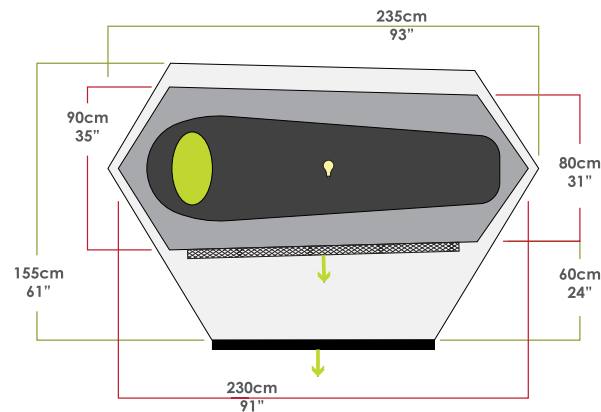


FRONT

SIDE

INNER

- External Dimensions
- Internal Dimensions
- Entry/Exit
- Mesh Door
- Fly Door
- Internal Floor Area
- Awning Area
- Lantern Hanging Point



Always check the ground before pitching your tent. Even very small sticks or stones can not only cause damage, but also discomfort.



If you don't have a ZEMPIRE® Chill Pill, fill the tent carry bag with a jacket to make a pillow.



Be prepared and carry a repair kit, tape and extra rope etc (along with your pole splint supplied) in case an accident happens.



Depending on the model and style of tent, always pitch with the back of the tent into the wind.



Ventilate your tent to decrease condensation. Be sure to open vents where possible.



For larger tents that will sleep more than 1 person, split the tent's parts between hikers to spread the load.



MONSTALITE THERMO SINGLE

A hiking, hunting and anywhere solution to an amazing night's sleep. A compact mat featuring synthetic insulation & an inflation bag for easy inflation.



CHUNKY STEALTH^{V2}

An ideal balance between warmth, comfort and weight. The self-inflating Chunky Stealth^{V2} is well suited for extended trips in cool environments where weight is critical.



CHILL PILL^{V2}

Our inflatable pillow with a quilted stretch cover and one-way flat valve. Packing down incredibly small, there is no reason to leave it behind.



HANGDOME

Our compact and versatile dome-shaped lantern offers impressive light output for its size. Features a USB rechargeable lithium battery for long lasting performance.



OPTIONAL ACCESSORIES

PITCHING INSTRUCTIONS

1. Test Run

Practice pitching your tent at home to ensure you understand the process.

2. Pick A Site

When picking a site for your tent, try to find an area that is sheltered, flat and free from sharp objects. If possible, position your tent with the front door facing away from the prevailing wind. Also, try not to pitch your tent under trees as falling branches or sap can damage the tent.

3. Unpacking

When you take your tent out for the first time, take a moment to see how it is packed or take a photo with your phone. This will help you when it comes to packing your tent away. Separate and identify the different parts included with your tent. The package should include the following:

- Tent fly
- 13 x Aluminium Tri Pegs
- Tent inner
- Guy Ropes (pre-attached)
- Tent pole
- Pole Repair Splint

4. Layout

Unroll the inner-tent with the floor facing down and locate the front entry door. Place the tent in the correct position on your site. Peg out the 4 corners of the tent floor, ensuring there is tension between each point and that the floor sits as flat as possible. Ideally the pegs should be angled away from your tent at 45°.

5. Pole Setup

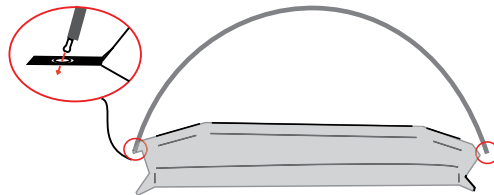
Assemble the pole sections together. Ensure that the poles do not snap together. It is important that the poles are fully inserted into the ferrules. If not inserted correctly, they can cause damage when tensioned.

6. Mesh Door

It is important that the mesh door remains closed during the pitching process to ensure the tent holds its correct shape and is not over tightened, which can cause damage.

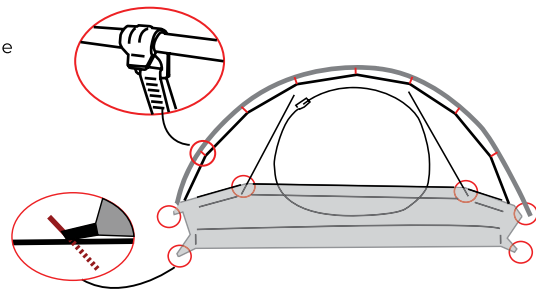
7. Insert the Pole

Insert the pole ends into the eyelets found at each end of the inner. Connect the inner to the frame by connecting the c-clips that run along the centre seam of the inner tent.



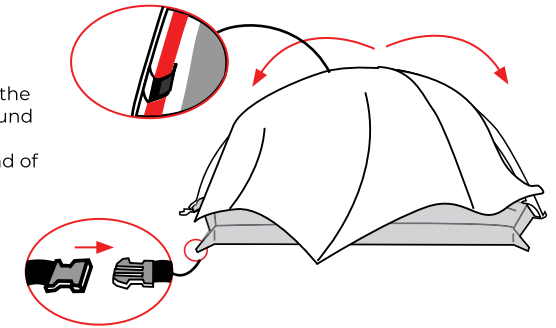
8. Setting the Floor

It may be necessary to align the base of the pole so that the floor sits flat and taught. You may also need to realign the corner pegging points so the floor sits flat. At this point, it helps if the mesh door is completely closed when pegging out the front of the tent.



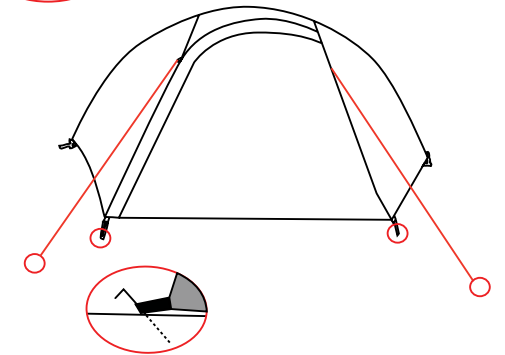
9. Attach the Fly

Throw the flysheet over the inner and fasten the velcro ties (found on the inside of the fly) around the pole lines. Connect the fly to the inner by attaching the side release buckles at each end of the pole.



10. Pegging

Peg the remaining peg loops around the tent. Aluminium Tri Pegs are included with your tent which will be suitable for the majority of conditions. However, if you plan to camp at a rocky or loose sandy location, you may wish to purchase more specialised pegs. A range of specialised ZEMPIRE® Pegs are available from local retailers or our website.



11. Guy Ropes

Guy ropes are pre-attached on all ZEMPIRE® Tents. It is recommended that guy ropes are used at all times. It is important not to over-tighten guy lines. They should sit taught but should not distort the shape of the tent.

Condensation

It is important that lower vents are opened at all times to reduce the risk of condensation. During humid or damp conditions, it is recommended that the window covers are opened to expose the mesh layer, enabling additional airflow throughout your tent.

Do not use foam swabs or non-bonded mats directly on the tent floor. This will cause condensation between the mat and floor and if not dried out, can lead to mildew forming.

UV Degradation

Tent fabrics can be weakened by prolonged exposure to sunlight. Under normal holiday use, your ZEMPIRE® tent will give you many years of camping enjoyment. However, extended use in strong sunlight will cause degradation. UV degradation is not covered under warranty. The warranty does not cover permanent sites, displays or commercial use.

For a detailed description of all the features and specifications of this product please visit our website.

CARE INSTRUCTIONS

1. Ensure guy ropes are out at all times during use.
2. Make sure you have all vents open at all times. Constant airflow will drastically reduce condensation in humid weather conditions. Never cook in your tent as it is unsafe and would also heavily increase condensation.
3. Ensure all doors are zipped closed before inflating and deflating. This helps keep the tent's shape and prevents stress on panels/zips.
4. Never pack your tent away wet. If you must take your tent down when wet, ensure that it is dried completely as soon as possible to prevent mildew forming.
5. If mildew does form on your tent, wash off with warm water and a soft brush to prevent further growth, do not use soap or detergents.
6. Do not use aerosol spray cans or an open flame inside your tent. The fabric has been treated with a fire retardant but is in no way fire-proof.
7. Always use a peg puller to remove pegs. Never remove pegs by pulling the tent or peg loops; always clean and dry pegs before storing.
8. This tent is not designed to withstand storm conditions. During a severe storm, it is recommended that the tent be taken down.
9. Do not leave your tent pitched unnecessarily for extended periods of time. UV light damages the fly and will shorten the life of your tent.



NEED HELP WITH YOUR TENT?

We have a range of videos on our website which can help you.

Follow the QR code or type the link below in your browser. We suggest to check out our videos beforehand in case you don't have service at your holiday destination.

**TO THE
VIDEO
GALLERY**



[ZEMPIRECAMPING.INFO/VIDEO-GALLERY](https://www.zempirecamping.info/video-gallery)

3 Year Limited Warranty

Please take time to read about the protection we offer you.

All our products come with a guarantee designed to protect you as our valued customer. ZEMPIRE® Camping Equipment will repair or replace this product, at their discretion, should it fail due to faulty materials or manufacture for a period of 3 years from the date of purchase.

The Guarantee is subject to the following conditions:

1. The Guarantee only applies to an original purchaser who purchased this product in an unopened condition from an approved retail outlet.
2. The Guarantee does not apply if the product has been used for anything other than reasonable personal use. Commercial use (e.g. rental) or continuous use are expressly excluded.
3. Damage due to normal wear and tear, accident, acts of God, negligence (other than by ZEMPIRE® Camping Equipment), failure by the purchaser to ensure instructions for setting up and care are observed, deterioration due to abnormal exposure to ultraviolet light, insect or mildew attack, or any other cause reasonably beyond the control of ZEMPIRE® Camping Equipment are not covered.
4. If redress is sought under the terms of this Guarantee, then the product must be returned by the purchaser to the outlet from where it was purchased within the Guarantee period, in a clean, dry state and with proof of purchase.
5. All transport costs and any other indirect costs are excluded from the Guarantee.
6. ZEMPIRE® Camping Equipment reserves the right to make a reasonable charge for repairs which it determines are not within the scope of the Guarantee.
7. The Guarantee does not limit, modify or exclude any rights under any law if doing so would contravene that law or make any part of this Guarantee invalid. However, ZEMPIRE® Camping Equipment:
 - a) excludes (to the extent permitted by applicable law) all conditions and warranties that might otherwise be implied; and
 - b) limits its liability for breach of any such condition or Guarantee that it cannot exclude together with its liability under the Guarantee, to repairing or replacing the Goods or paying the cost of having the Goods repaired or replaced (at ZEMPIRE® Camping Equipment's option).

Australia Only

Our goods come with guarantees that cannot be excluded under Australian Consumer Law. You are entitled to a replacement or refund for a major failure and compensation for any other reasonably foreseeable loss or damage. You are also entitled to have the goods repaired or replaced if the goods fail to be of acceptable quality and the failure does not amount to a major failure.

USA Only

Some states do not allow the exclusion or limitation of incidental or consequential damages, so the above limitation or exclusion may not apply to you. This warranty gives you specific legal rights, and you may also have other rights which vary from State to State.

Europe Only

The consumer has legal rights under applicable national legislation governing the sale of consumer goods and those rights are not affected by the guarantee.

All warranty claim processes are explained on our Zempire® website. Please go to www.zempire.co.nz, select your location and follow the instructions to lodge a warranty claim.

International Distributors:

New Zealand & Australia

ZEMPIRE® Camping Equipment
6 Karewa Place, Pukete,
Hamilton, 3200, New Zealand
Ph: +64 7 848 1610

United Kingdom, Belgium, Netherlands & Luxembourg

Outdoor & Sports Company Ltd.
Redfern House, Dawson Street
Hyde, Cheshire, SK14 1RD, UK
Ph: +44 161 366 5020

North America

Outdoor & Sports Company Inc.
610 Alden Road Unit 101
Markham, ON, L3R 9Z1, Canada
Ph: +1 905 940 9511

Germany, Austria, & Switzerland

Sport-tech
Goldbeckstrasse 6
69493 Hirschberg, Germany
Ph: +49 6201 8439710

South Korea

Coldspin Corporation
20 Gurodong-ro 15-gil
Guro-gu, Seoul,
South Korea
Ph: +82 2 3397 7711

Designed and tested in New Zealand. Made with care in China.



AS PART OF OUR **ZEMPIRE FAMILY**, SHARE
YOUR **CAMPING MOMENTS** ON SOCIAL

     @zempirecamping #zempirefamily