

GATOR 

GHDVR80W

QUICK START GUIDE



For more information
on the Gator range
go to our website

gatordriverassist.com 

INCLUSIONS:

Dash Cam, 12/24V In-Car Charger, 32GB Micro SD Card

Table of contents

Table of contents.....	2
Product information.....	3
Product overview.....	4
Product features.....	4
System contents.....	5
Optional accessories.....	5
Product structure.....	6
Fixing the Dash Cam.....	7
Installation of Dash Cam.....	7
Power/Function button.....	8
Downloading the Dash Cam WiFi App.....	9
First time pairing procedure for iOS Devices.....	10
First time pairing procedure for Android Devices...	11
Successful pairing of your device.....	12
Formating SD card.....	12
Downloading to your phone.....	13
Factory reset.....	13
Product specifications.....	14
Trouble shooting guide.....	15
Safety information & warnings.....	20
Infringement of copyright warning.....	21
Technical assistance.....	21

Product information

For more information, videos and user guides, visit our website, gatordriverassist.com/GHDVR80W or scan the following QR code:



Please ensure that you have read the product quick start guide and instructions prior to installation and use. Failure to do so may result in the product incorrectly operating or an installation that renders the device unusable.

Product overview

The Gator GHDVR80W Dash Cam has been designed to provide high definition recordings of your road trips for security and evidence in the case of an accident. This Dash Cam mounts to the windscreen and records footage onto a memory card. It has a built-in WiFi interface that connects it wirelessly to your smartphone. This device operates through a user interface on your smart phone via the Gator Dash Cam App. (Downloaded from the Apple App Store or Google Play Store).

Product features

- ❑ FULL HD 1920x1080 @ 30FPS
- ❑ 110 Degree HD wide angle lens
- ❑ WiFi enabled (2.4Ghz)
- ❑ WiFi Via free App to Smartphone
- ❑ Time and date stamp
- ❑ G-Sensor function
- ❑ Hardwire Kit (optional GUNIHWC req)
- ❑ Super capacitor
- ❑ Seamless cycle loop recording
- ❑ 12/24V in-car USB charger
- ❑ Adhesive car mount
- ❑ Built-in MIC
- ❑ 32GB Memory card
(Supports Micro SD card class10 up to 128GB)

System contents



Gator Dash Cam



Memory card



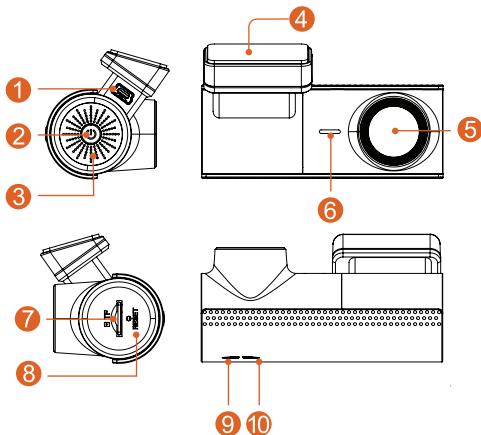
Car Charger

Optional accessories

Hardwire Kit. (GUNIHWK) To free up the vehicles 12V socket for other usage.



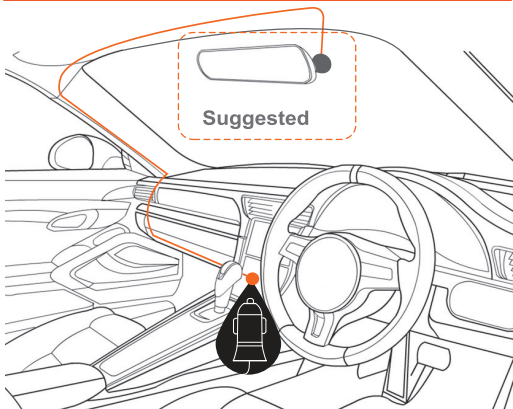
Product structure



1. Power socket
2. Power/Function button
(See page 8)
3. Speaker
4. Adhesive mount
(Non-removable)
5. Camera lens
6. Microphone

7. Micro SD card slot
8. Reset slot
9. Red light indicator
(WiFi On/ when flashing
WiFi is off)
10. Blue light indicator
(Recording when On/
when flashing warns
SD card not inserted)

Fixing the Dash Cam



Installation of Dash Cam

1. Check the mounting position of the Dash Cam camera first before installation.
2. Ensure windscreen is clean and free of debris. Use an Alcohol wipe to enhance adhesion.
3. Place mounting bracket on Dash Cam after checking Dash Cam position. Remove backing off 3M tape and press & hold firmly to windscreen for 60 seconds.

4. Fix where the vision is not blocked (Place close to rear-view mirror is recommended). Do not install the device on airbag or within its working range.
5. Insert Micro SD card into the Dash Cam
6. Insert power cable into the DC-in of the Dash Cam. Connect the DC charging end of the power cable into the 12/24V power socket of your vehicle.
7. Adjust the camera angle to get the best view. Ensure 1/4 of the vehicles bonnet is visible from the recording.
8. Turn vehicles ignition on, and the Dash Cam and it will automatically start recording.
9. When recording the recording indicator LED will turn blue.
10. For the Dash Cam to work it starts recording automatically when it receives power from the power adapter. Once power is turned off (when you turn the car off), the Dash Cam will use its on-board super capacitor to save the current file and then turn itself off.

Power / Function button

1. Short press the power button once, to turn off or start recording.
2. Short press the power button twice to switch the WiFi on/off.
3. Long press the power button to turn the Dash Cam on/off .

Downloading the Dash Cam WiFi App

On your iOS or Android smartphone, search for the “**Gator Dash Cam App**”. Scan the QR code below for the suitable smartphone APP for your device.

Gator Dash Cam App store download

<https://apps.apple.com/au/app/gator-dash-cam/id1541941092>

Gator Dash Cam Google Play download

<https://play.google.com/store/apps/details?id=au.com.tdj.gator.dashcams>



First time pairing procedure for iOS Devices

1. Download the App from the App Store
2. Turn off Mobile Data in settings
3. Turn on location services in settings
4. Open the App
5. Select go to WiFi settings and then connect
6. Select the dash cam GHDVR80W-XXXX
7. Open the App again
8. Press “Copy” the current network name on App home screen
9. Enter WiFi password 12345678
10. Name the device i.e Dash Cam or the Vehicle it is installed in
11. Select “Save Device”
12. The dash cam will appear under paired devices
13. A notification may appear, “Gator Dash Cam” wants to join WiFi Network “GHDVR80W-XXXX”?– Select “Join”
14. Another notification may appear, “Gator Dash Cam” would like to find and connect to devices on your local network – Select “OK”
15. You can now view your dash cam and adjust it's settings via the Gator Dash Cam App.

First time pairing procedure for Android Devices

1. Download the App from the Google Play Store
2. Turn off Mobile Data in settings
3. Turn on location services in settings
4. Open the App
5. Select go to WiFi settings and then connect
6. Select the dash cam GHDVR80W-XXXX
7. Open the App again
8. Press “Copy” the current network name on App home screen
9. Enter WiFi password 12345678
10. Name the device i.e Dash Cam or the Vehicle it is installed in
11. Select “Save Device”
12. The dash cam will appear under paired devices
13. A notification may appear, “Gator Dash Cam” wants to join WiFi Network “GHDVR80W-XXXX”?– Select “Join”
14. Another notification may appear, “Gator Dash Cam” would like to find and connect to devices on your local network – Select “OK”
15. You can now view your dash cam and adjust it's settings via the Gator Dash Cam App.

After first successful WIFI pairing of your device

After your initial pairing of your device to the Dash Cam's WiFi network mobile data should be left off when using the app, as in some cases it wont work for some iOS devices. The app may show a pop up message to turn off mobile data when connecting to the Dash Cam.

Formatting the SD Card

You should do this at least every 2 to 3 months

You can format your SD card using the Gator Dash Cam App. It will ask you to confirm before formatting. It is recommended you do this to keep the card in good running order and to ensure you purge any locked footage that may have been saved in the past that you no longer need and is taking up space. Note: Back up files you wish to keep prior to formatting, as formatting will delete ALL files on the SD Card.

PLEASE NOTE: SD cards have a finite life. Their life is based on the amount of times the card is written to. The SD card WILL eventual wear out over time.

Dash Cams are very heavy users of the SD card because they are constantly writing to memory. Some cards have a longer life than others. The longest life cards are often labelled as "ENDURANCE" or "HEAVY DUTY"

Downloading to your phone

Using the Gator Dash Cam App you can download videos to your smartphone. If you have a lot of videos, it may take a bit of time before it will load images onto your screen, it may appear empty to start with, be patient, the video images should appear in a minute. Patience is needed while it downloads the videos, the more videos you select, the longer it will take to download. Please keep in mind that this footage is High Definition and is quite large. (Make sure there is sufficient space on your phone).

Factory reset

To hard reset the device back to its original settings in the case of a system jam or crash. Insert a fine point paper clip into the reset hole next to Micro SD card input.

Product specifications

- FHD Camera, FHD recording
- G-sensor three axis accelerometer
- WiFi 2.4GHz 802.11 b/g/n
- Lens 110 degree wide angle
- Video format MP4
- Video resolution 1280x720/1920x1080 @30fps (16:9)
- Video codec. H.264
- Loop recording with seamless 1/3/5 min blocks
- Auto turn on/off while car power on/off
- Supports turn on while car starts and turn off while car turns off.
- Date stamp supported
- Micro SD SDHC/XC (Class 10 up to 128GB Max)
- MIC/ built-in speaker supported
- In built Super capacitor
- NOVATEK NTK96672
- Frequency 50HZ/60HZ
- Micro USB supported
- Working voltage & current DC 5V/350mAh

Trouble shooting guide

Under normal operating conditions, if there are problems with the device, please refer to the following methods to resolve them.

Problem: Cannot take pictures or record video?

Solution: • This kind of issue is almost ALWAYS an issue related to the Memory card. Please check whether there is enough space on the micro SD. As mentioned earlier some footage is write protected and accumulates on the SD card over time.

- Format the SD card to be sure the card is no longer full of write protected footage.
- If the device keeps Stopping automatically while recording or it is recording Jumpy footage with dropped frames, this may be due to the SD cards write speed.
- You must use a high-speed micro SD card. To tell if you have the required high-speed card, check if it has the 'Micro SDHC/XC' logo on the SD card. Cards are often labelled as HD video capable but that is not always true. HD recording requires a Card with class 10, the card should have this printed on it somewhere.

Trouble shooting guide

Problem: The adhesive mount will not stay attached to the windscreen

Solution:

- Ensure windscreen is clean and free of debris, use glass cleaner or an alcohol swab to clean.

- Ensure that the plastic film has been removed from the adhesive pad.

- When mounting hold the bracket firmly to the windscreen for at least 60 seconds.

Problem: The Dash Cam will not power on

Solution:

- Vehicle Accessory Socket - Check the vehicle accessory socket has power, simply plug another device and see if it powers up (or use a test light / multimeter to check for power).

- Dash Cam Power Cable - Check the fuse in the tip of the accessory plug, it may need to be replaced.

- Dash Cam - Connect the Dash Cam to a computer via the USB cable to see if it powers up.

Problem: The Dash Cam shuts down when connected to the vehicle and the battery will not charge

Solution:

- This Dash Cam does not have a battery, it has a Super Capacitor.

- The Dash Cam will only turn on when the vehicle is switched on.

Trouble shooting guide

Problem: The Dash Cam battery only lasts for a few minutes when power is disconnected

Solution: • This Dash Cam does not have a battery, it has a Super Capacitor.

- The Super Capacitor only holds enough power to safely shut down the Dash Cam, securely save the last file when power is disconnected and retain settings.
- The Dash Cam is designed to be connected to power at all times while being used.

Problem: The Wifi does not seem to be connecting / the Dash Cam won't connect with my phone

Solution: • Ensure WiFi is switched on in your mobile phone settings and select your Dash Cam from the device list.

- Make sure you have entered the correct password for the device (12345678).
- If the device is still not connecting correctly, forget the Dash Cam from the phone through the settings, reset the Dash Cam, restart the mobile phone, and then try again.
- Check your phone has the latest software update and also check the App has been updated with the latest version.

Trouble shooting guide

Problem: The Dash Cam feels warm when it is operating

Solution: • It is normal for the Dash Cam to feel warm to the touch during typical use, especially when it is recording HD video.

Problem: The Dash Cam stops automatically while recording

Solution: • Check to see whether there is enough space on the Micro SD card.

- Ensure correct Micro SD card is being used, 8-128Gb Class 10 or above Micro SDHC/XC is recommended. Other types of Micro SD cards may not be suitable for use in Dash Cams.
- If the correct Micro SD Card is being used, format the Micro SD Card in a computer.
- Micro SD cards have a limited lifespan and become corrupt after a period of time. This is due to the continuous loop recording function. If this has occurred, you will need to replace your Micro SD Card.

Problem: The Micro SD card is not recognised by the Dash Cam

Solution: • Format the Micro SD card before using. Be sure the Micro SD card is compatible with the device, see “The Dash Cam stops automatically while recording” fault above.

Trouble shooting guide

Problem: Cannot record video or take pictures

Solution: • Check to see whether there is enough space on the Micro SD card. If not, the Micro SD card will need to be formatted.

Problem: Video files can not be played on the PC

Solution: • The video files from the Dash Cam are in .MP4 format and may not be compatible with your PC if suitable playback software is not installed.

Problem: My videos are blurry, dirty or discoloured

Solution: • Check to see if there are any finger prints or dirt present on the Camera lens. If needed, clean with a soft dry cloth before recording.
• Remove the transparent lens cover during installation.

Problem: The Dash Cam is frozen or not responding

Solution: • Reset the unit by pushing and holding the reset button for a few seconds and try again.
• Format Micro SD Card in a computer.

Problem: Unresolved issues

Solution: • Reset the unit by pushing and holding the reset button for a few seconds and try again.
• Format Micro SD Card in a computer.
• Should the problem persist please contact your Gator Service Agent for your country.

Safety information & warnings

Do not use the Dash Cam in damp working conditions; the Dash Cam is not waterproof.

Do not try opening the shell or trying to repair the Dash Cam by yourself.

If the Dash Cam or it's accessories have any problems and is still under warranty, then take it back to the place of purchase with the original purchase receipt.

If out of warranty then contact the authorised repair agent, Gator Support.

Do not use a chemical substance, cleaning solvent or cleaner to clean the Dash Cam, please use a moist soft cloth if you would like to clean the Dash Cam.

Do not use the Dash Cam under conditions where dust is present.

Please pay attention to cleaning the lens surface, use a moist soft cloth to clean the lens before use, to avoid poor video footage.

Infringement of copyright warning

Please note that this product is for personal use only, the method of use shall not violate the goods infringe on domestic or international copyright laws. Even recorded images for personal use only, please note that in some cases to use this product to record performances, exhibitions or business activities of the images may infringe the copyright or other legal rights and interests of others.

Technical assistance



For Australasian support

TEL: 03 – 8587 8898 FAX: 03 – 8587 8866

Mon-Fri 9am – 5pm AEST

EMAIL - service@gator.com.au

If you would like to download a digital copy of this quick start guide, or other Gator manuals/software, please visit the <http://gatordriverassist.com> website and click on ‘Firmware & Manuals’ or alternatively go directly to the product page.

This quick start guide is considered correct at time of printing but is subject to change. For latest quick start guide, manuals and updates refer to the website.

Copyright © 2022 by TDJ Australia all rights reserved. No part of this publication may be reproduced, distributed, or transmitted in any form or by any means, including photocopying, recording, copying or other electronic or mechanical methods, without the prior written permission of the author.

Please retain this user guide for future reference.



