

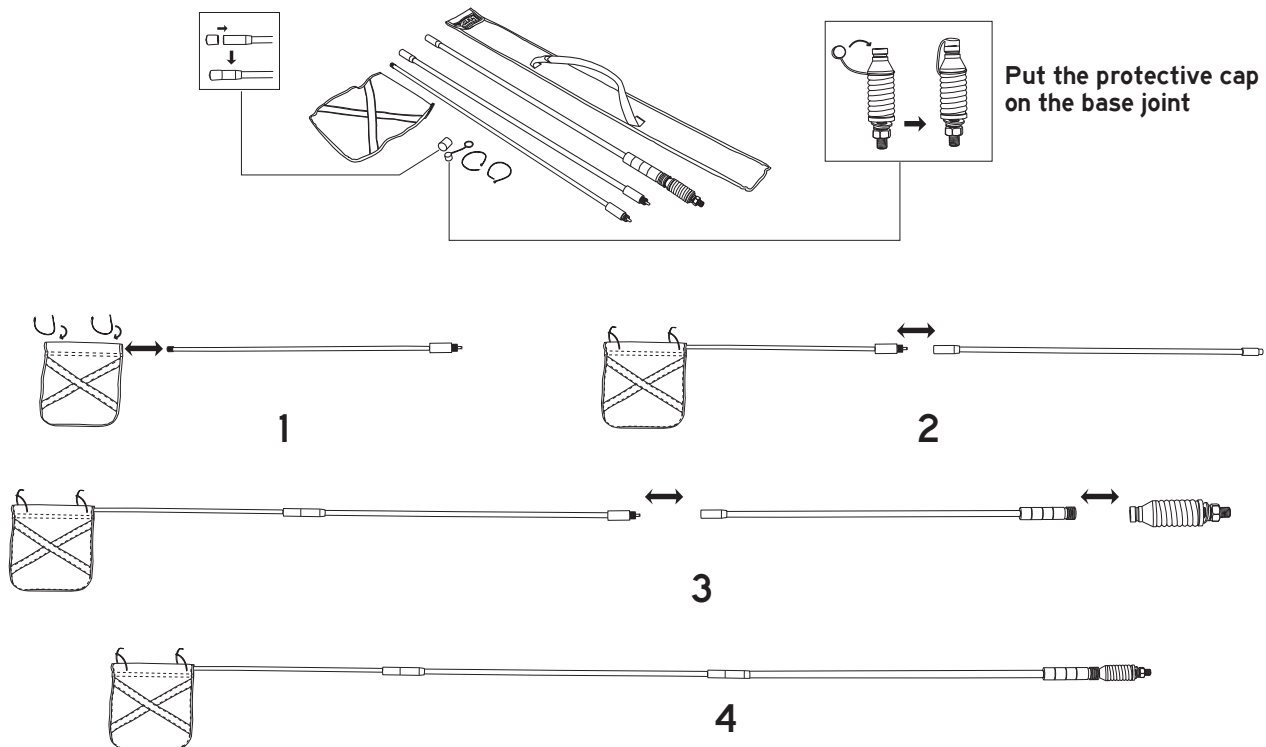
210x225mm



SAND FLAG

The XTM sand flag is designed to minimise potential accidents when driving in either inland or coastal situations.

The XTM sand flag consists of 3 one metre poles plus the detachable flag. This allows you to have variable heights, however we recommend the maximum height for greater visibility. You can attach the sand flag to the bull bar at the front of your vehicle or on the roof bar/ roof rack.



The XTM sand flag comes with a handy storage bag to protect your flag when not in use.

WARNING:

To prevent potential damage to your vehicle, do not exceed 60 km/h when using the sand flag. Remove sand flag when driving on roads and highways.



PLU: 659841 CODE: YTWD02
Manufactured and packaged for
SRGS PTY LTD ABN 23 113 230 050
6 Coulthards Avenue
Strathpine QLD 4500, Australia
MADE IN CHINA