

Wanderer

camping and outdoors

Instruction for clamping installation

- 1.Oscillating lever: Fan oscillates when lever is in "down" position
- 2.Fan head angle adjustment: To reset oscillating angle, turn off oscillating lever, move head of fan to new "start" position, turn on oscillating lever.
- 3.Tilt adjustment screws: To change degree of up or down tilt, loosen screws, set position and tighten.

Instructions for dash mounting


- 1.Unscrew the Clip Clamp. (Fig.1)
- 2.Find a suitable place to install the fan, for example, on the dashboard or doorpost. Be sure the fan can oscillate freely.
- 3.Drill two holes in the bodywork about 1/8" in diameter opposite the holes in the foot-plate. (Foot plate& screws included)
- 4.Secure the foot-plate with the tapping screws, insert the cushion between the plate and the bodywork. Secure unit by tightening screw. (Fig.2)

Cleaning instructions

- 1.Ensure unit is switched off and disconnected from a power source before cleaning.
- 2.Clean with a damp cloth only.
- 3.Do not use any abrasive cleaners or harsh chemicals.
- 4.Ensure all components are completely dry before storing the unit.
- 5.Do not expose to heat source, rain or submerge into liquid.

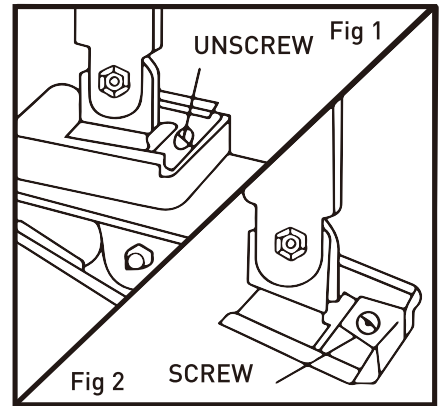
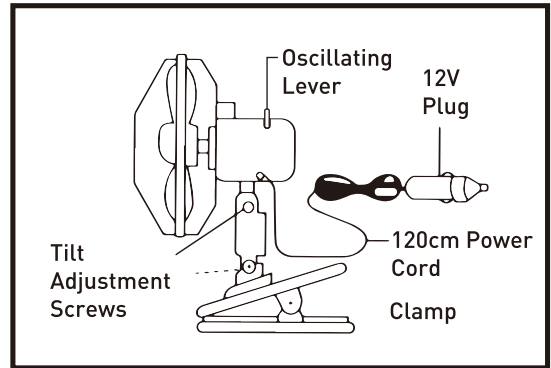
Warning

- This unit is not intended for use by persons (including children) with reduced physical, sensory or mental capabilities or lack of experience and knowledge.
- Children must be supervised at all times when around this unit.

Voltage: 12V 

Power: 8W

Brand: WANDERER



PLU: 653009

Desc:Fan Clip On 12V Wanderer
CODE:GS92

Manufactured & packaged for
SRGS PTY LTD

ABN 23 113 230 050

6 Coulthards Avenue

Strathpine QLD 4500, Australia

MADE IN CHINA