

# POWER SYSTEM SERIES

## THE EXPLORER

Since 2008, Enerdrive has been working in the Caravan, RV and Marine industries as well as working alongside some of the country's leading canopy manufacturers. Enerdrive has taken this knowledge and experience to proudly manufacture the Power System Series. Using a quality component build list and proven to withstand the rugged Aussie conditions, these systems are designed to suit the needs of installers and end users looking for a reliable power system. The components of the system are pre-wired in house by Enerdrive to make installation even easier. The Power System Series are neatly packaged onto a pre-assembled board with the main connections housed within a rugged metal case and they're available in either Passenger or Driver's side builds, giving lots of options for installation. With options to add custom artwork like your company logo and colour scheme, along with custom switch engraving to suit your install are available with an additional fee. The Power System Range range is well ahead of the game in terms of compact power solutions and truly something you will wonder what you did without.

### What's included?

This system is suited to those with tight spaces but still requiring the best charging from a DC2DC with solar input.

You will find the following products in The Explorer system:

- ▶ Enerdrive DC2DC 40+ Charger
- ▶ ePRO Plus Battery Monitor
- ▶ 4x Circuit Breakers for fridge, lights etc.
- ▶ 4 x Contura switches for Lights & Auxiliary loads
- ▶ Pre-wired Battery & Fridge Anderson Plugs



\*Photo credit: Rick Le

### Benefits of Simarine Upgrade

- ▶ Colour Screen
- ▶ Optional Temperature and Tank Monitoring
- ▶ Optional SCQ50 shunt for individual current monitoring of DC2DC Fridge and DC Loads
- ▶ WiFi Phone App



\*Standard ePRO Plus Battery Monitor



\*Optional Simarine Pico Monitor and SCQ50 Shunt

# THE EXPLORER

## Items Included in The Explorer:

ePOWER DC2DC 40+ Charger (Vehicles/Solar)	*
ePRO Plus Battery Monitor	*
Simarine LCD Battery WiFi Monitoring System	(Option to replace ePRO Plus Monitor with Simarine LCD)
4x Pre-Wired Circuit Breakers for Main Power Equipment	*
4x Contura Switches (12V 20Amp)	*
1 Metre Battery Connection Cable Kit	*
Twin USB 2.4A Hi Amp Sockets	*
12V Power Outlet to Replace One or Both USB Sockets (Please request at time of order)	Optional
† Battery Reset Button	*
Individual Load/Charge Module for Simarine (#SI-SCQ50)	Optional
Water/Fuel Tank Module for Simarine (#SI-ST107)	Optional
Dimensions	455L x 155W x 330Hmm
Weight	7kg

(\* Indicates Standard Fitment)

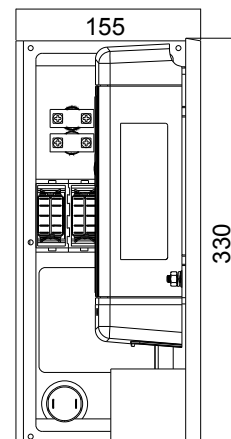
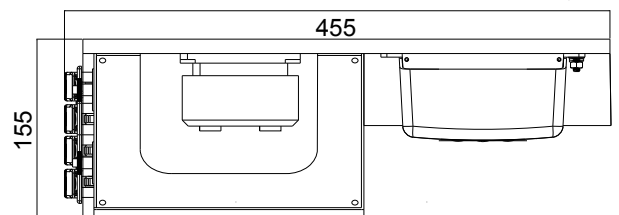
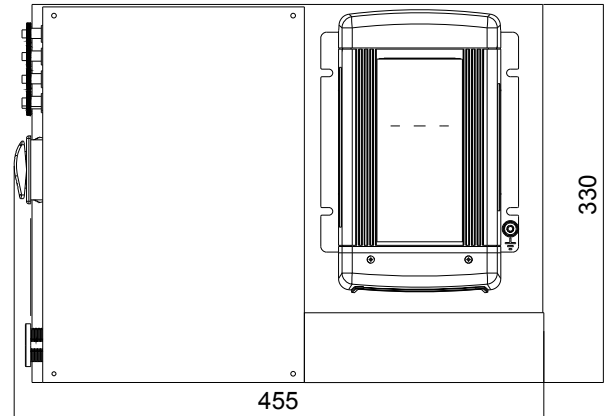
† Please be aware that the Enerdrive Flat Battery Reset Button is only to be used when start system input is 12V only. **This button is not suitable for use in 24V starting systems.** If you do require restart facilities for a 24V start system, please speak to the Enerdrive team. We can modify these systems to be suitable for 24V start systems at an additional cost.

## The Explorer Package Options:

Battery Monitor Options	ePRO Plus Battery Monitor	<input type="checkbox"/>
	OR	
	Simarine	<input type="checkbox"/>
Mounting Position	OR	
	Driver's Side	<input type="checkbox"/>
Socket Options	OR	
	Passenger Side	<input type="checkbox"/>
	USB Port	L <input type="checkbox"/> R <input type="checkbox"/>
	OR	
	12V Power Outlet	L <input type="checkbox"/> R <input type="checkbox"/>



\*Passenger Side Pictured



Weight Approx. 7kg