



# PERFORMER PREMIUM ASSEMBLY GUIDE

Read Owner's Guide before using the barbecue.

22 inch  
(57 cm)

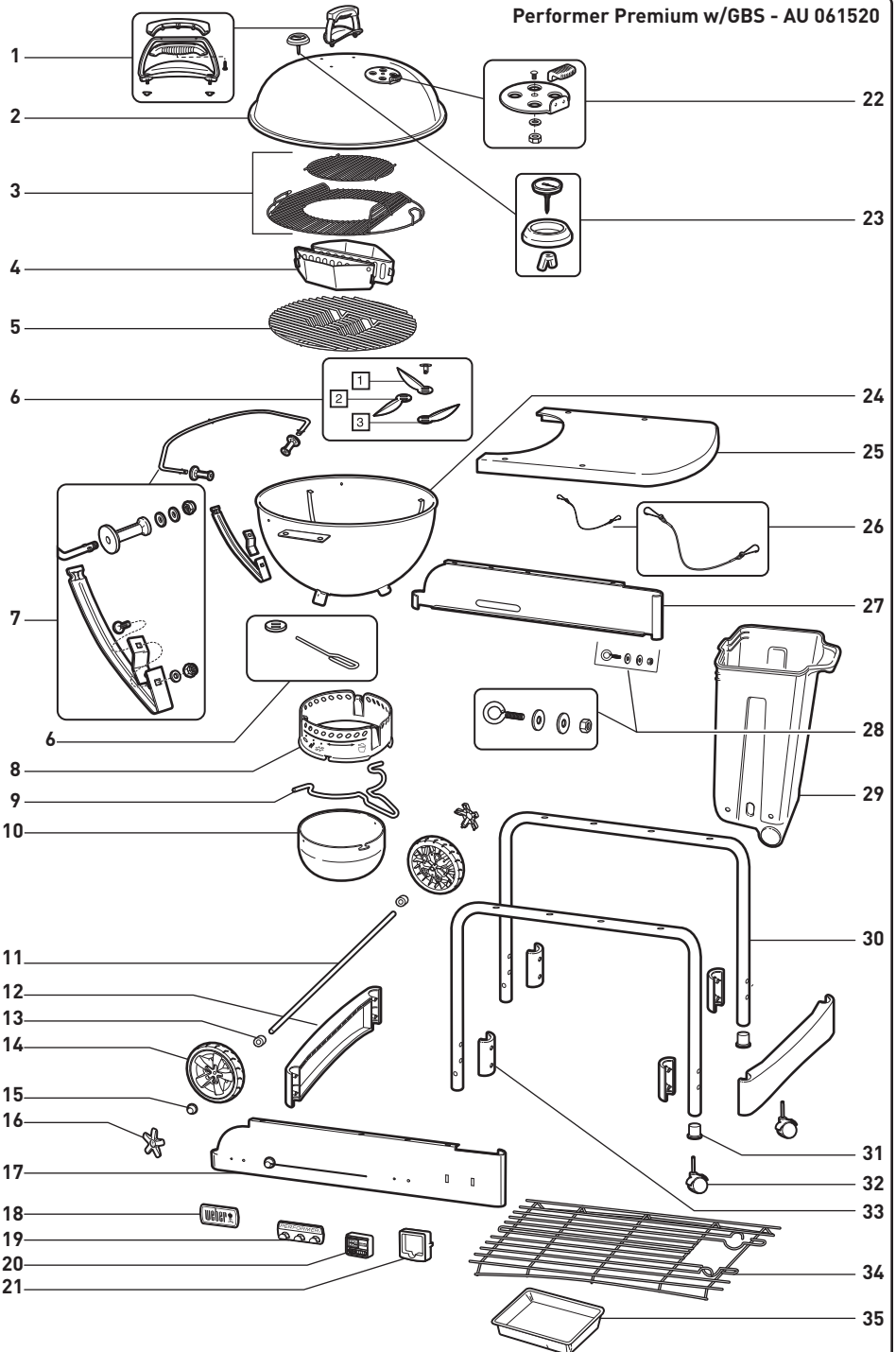


**72462**

AU/NZ/ZA 03/24/21

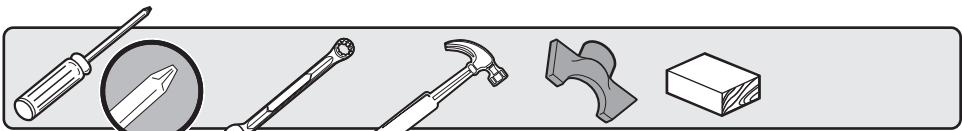
EXPLODED VIEW

Performer Premium w/GBS - AU 061520

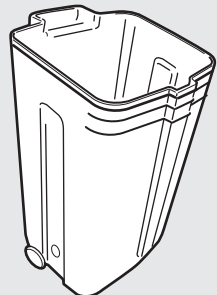
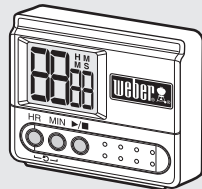
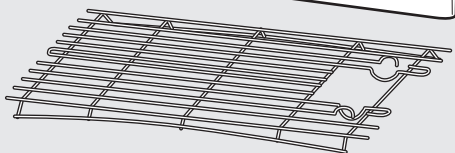
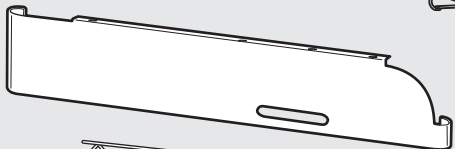
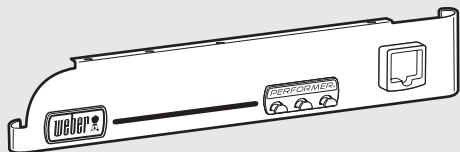
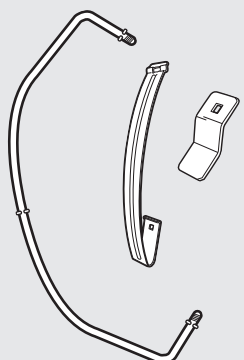
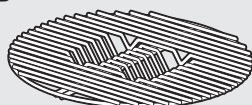
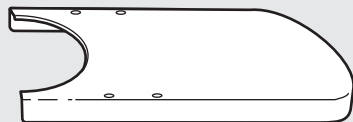
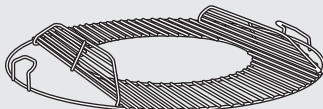
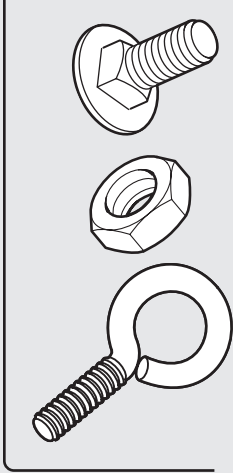
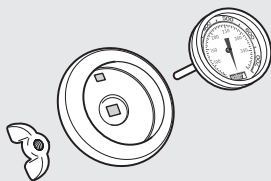
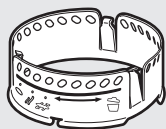
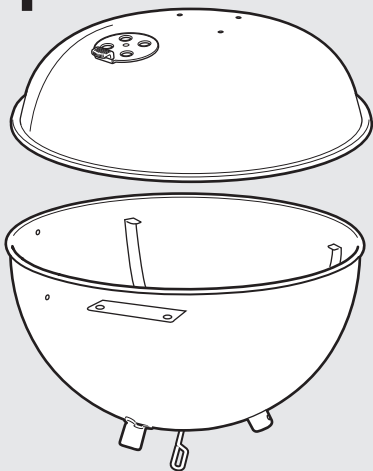


## EXPLODED VIEW LIST

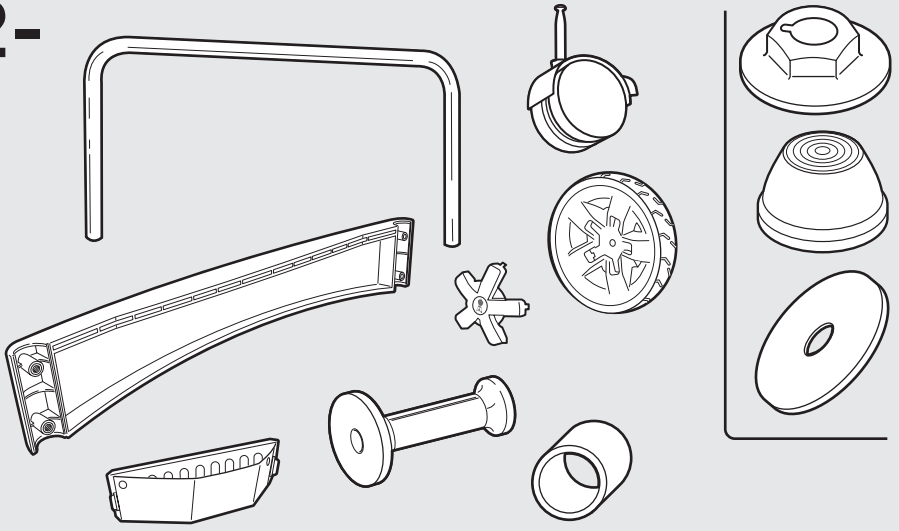
- |  |                             |                             |
|--|-----------------------------|-----------------------------|
| 1. Lid Handle Assembly                           | 15. Hub Cap                 | 29. Leg Frame               |
| 2. Lid   | 16. Front Panel             | 30. Caster Inserts          |
| 3. GBS Hinged Cooking Grate                      | 17. Logo Plate              | 31. Locking Casters         |
| 4. CHAR-BASKETS                                  | 18. Tool Holders            | 32. Leg Frame Bracket Clamp |
| 5. Charcoal Grate                                | 19. Digital Cook Timer      | 33. Bottom Rack             |
| 6. ONE-TOUCH Cleaning System                     | 20. Timer Mount             | 34. Disposable Drip Pan     |
| 7. TUCK-AWAY Lid Holder & Lower Support Assembly | 21. Lid Damper Assembly     |                             |
| 8. Ash Catcher Ring                              | 22. Thermometer Assembly    |                             |
| 9. Ash Catcher Handle                            | 23. Bowl                    |                             |
| 10. High Capacity Ash Catcher                    | 24. Table                   |                             |
| 11. Axle   | 25. CHARBIN Retention Chain |                             |
| 12. Leg Frame Bracket                            | 26. Rear Panel              |                             |
| 13. Wheel Spacer                                 | 27. CHARBIN Hardware        |                             |
| 14. Wheel  | 28. CHARBIN                 |                             |



1-



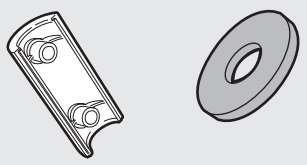
2-



3-



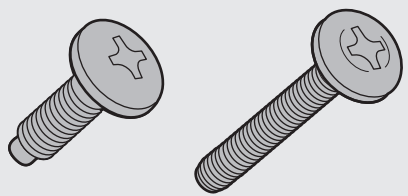
4-

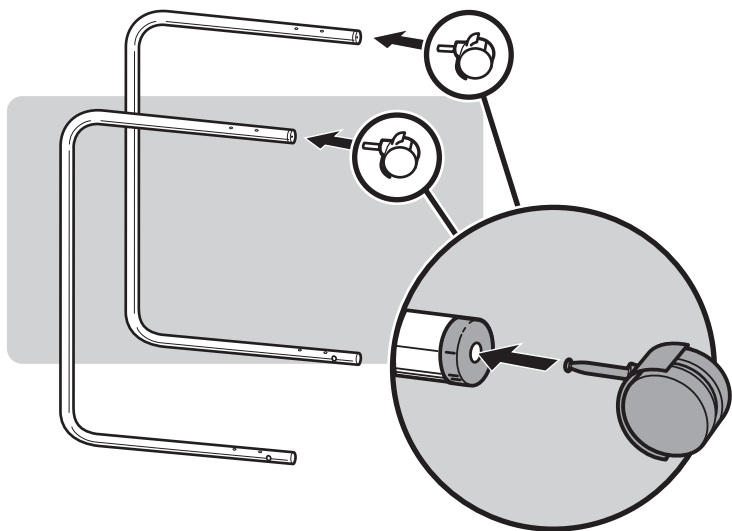
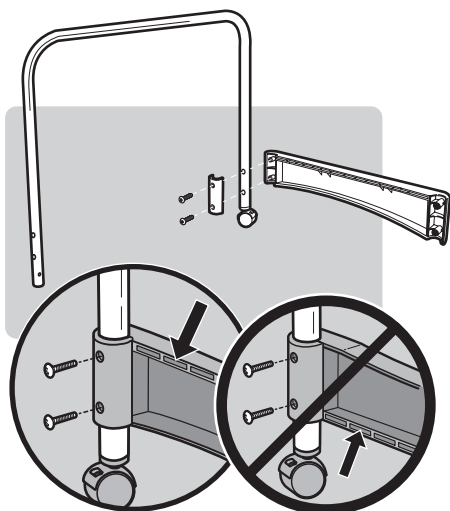
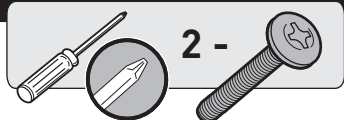
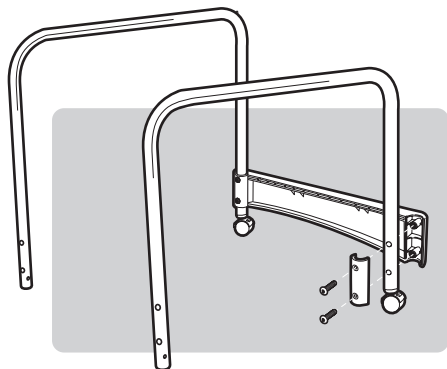
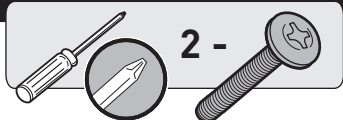


5-

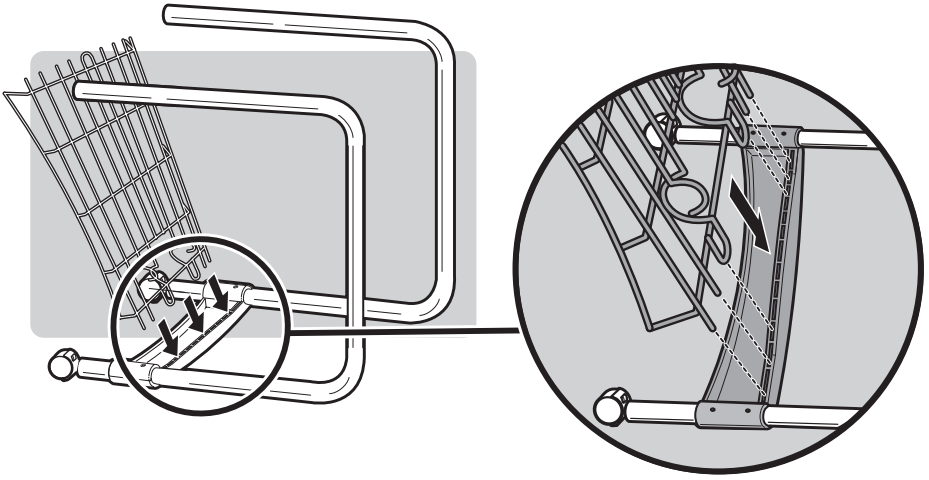


8-

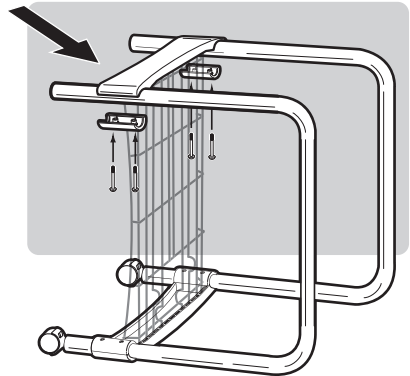
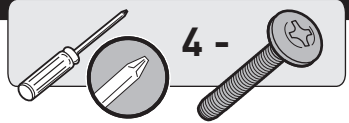


**1****2****3**

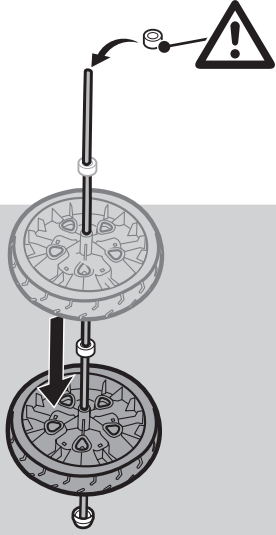
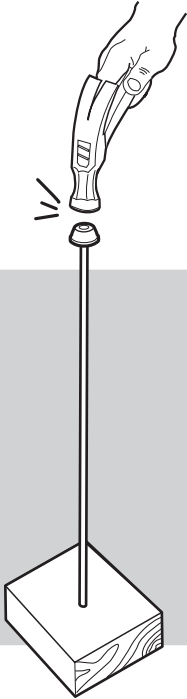
4



5



6

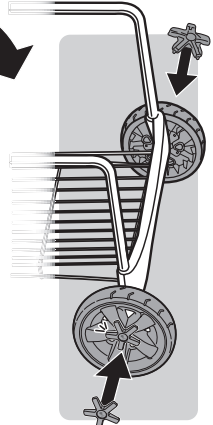
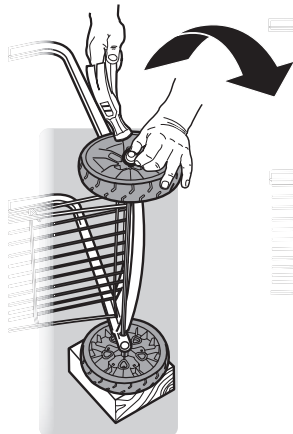
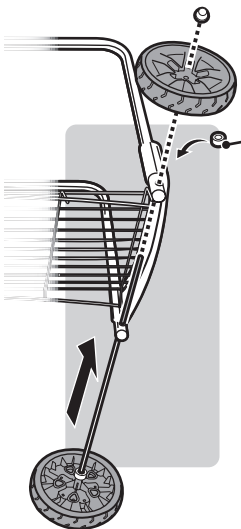


**⚠ IMPORTANT:** Make sure to insert the wheel spacer before continuing.

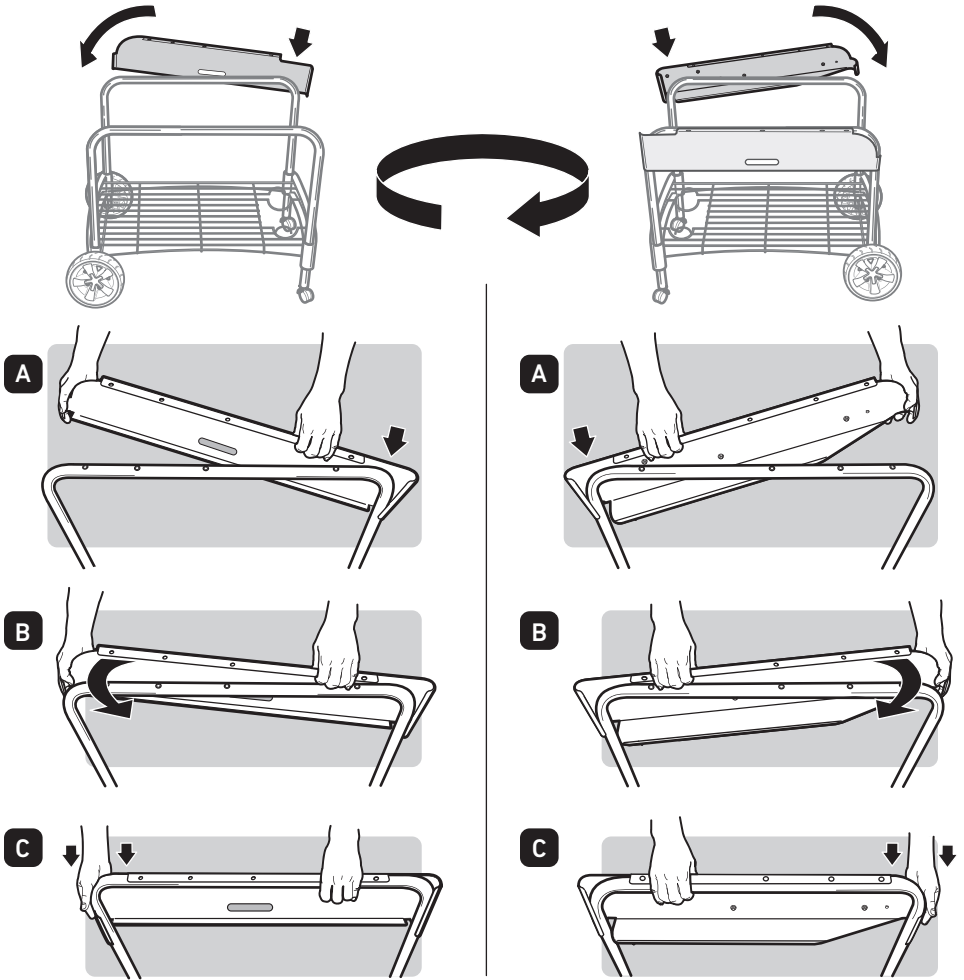
7

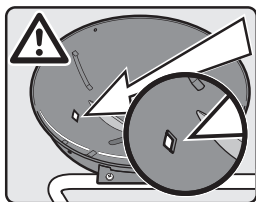
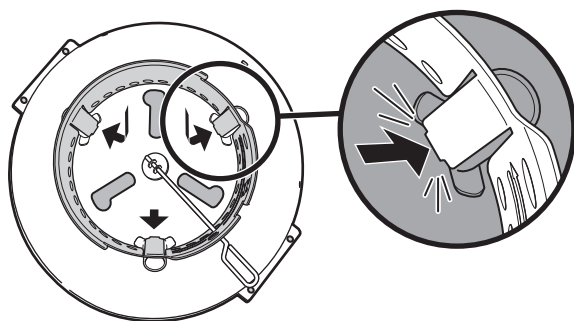
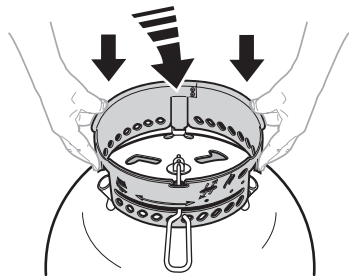
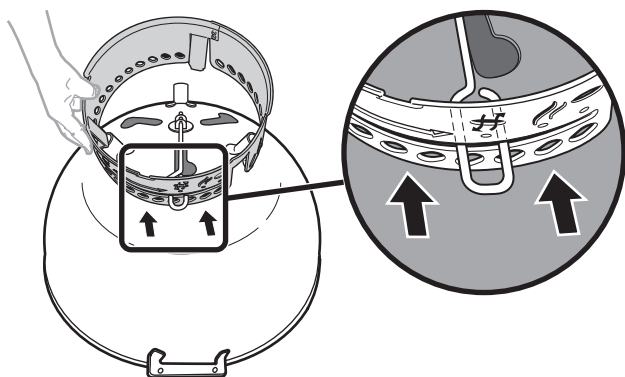


**⚠ IMPORTANT:** Make sure to insert the wheel spacer before continuing.



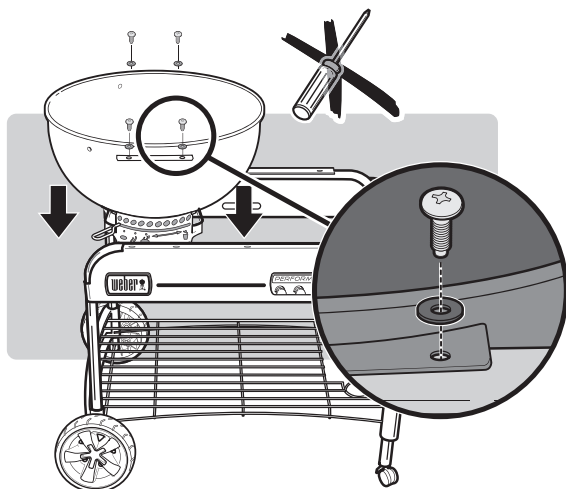


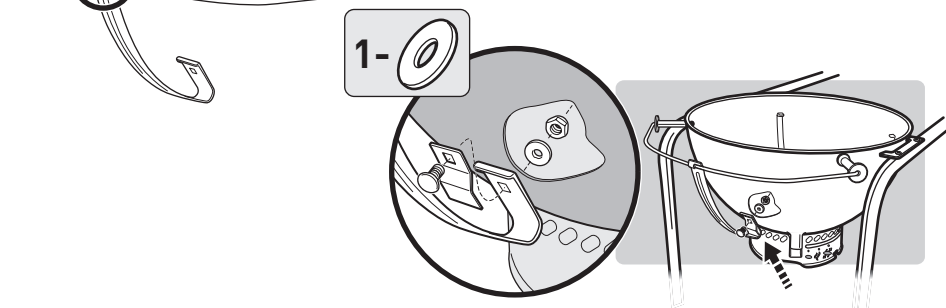
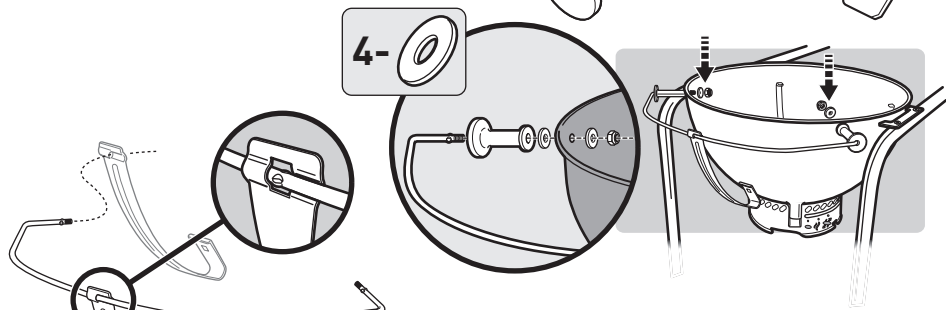
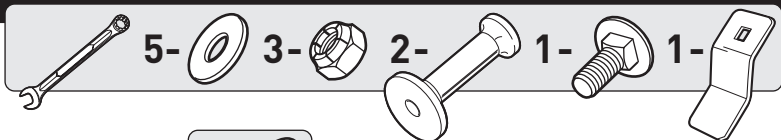
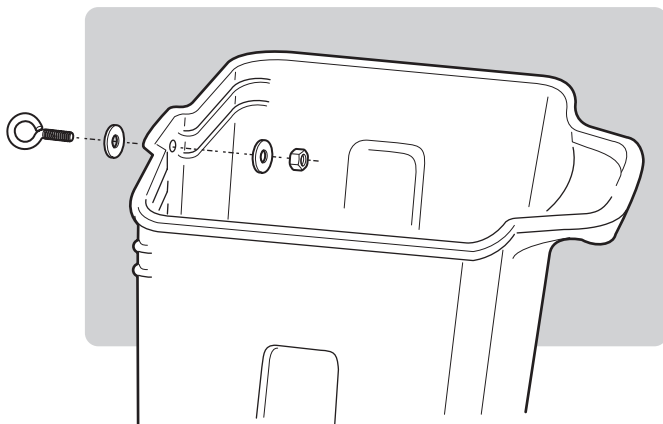




### ⚠ Finger Tighten Only.

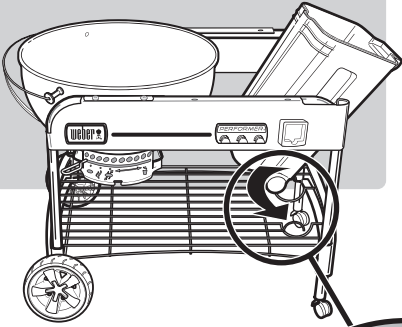
Do not fully tighten any of the screws before both the table and bowl assembly have been installed.



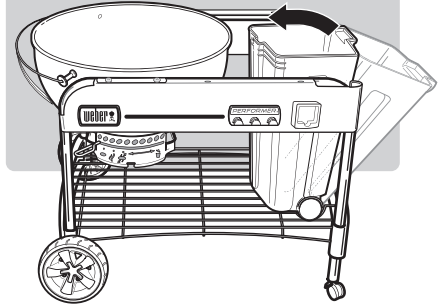
**11****12**

# 13

A

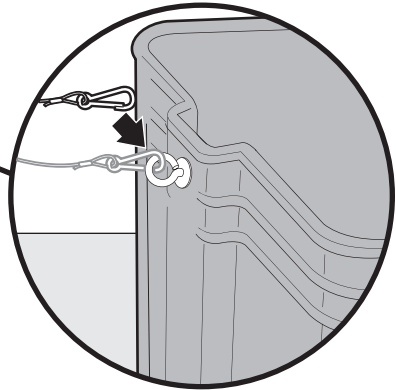


B



# 14

1 -

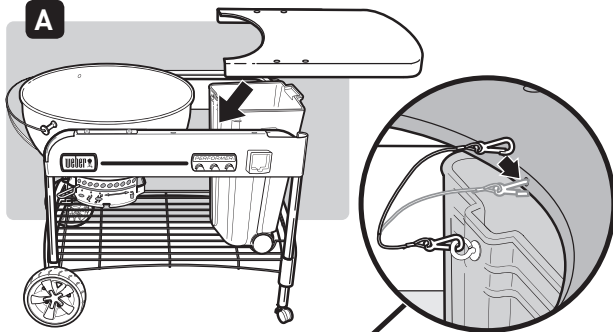


# 15

4 -



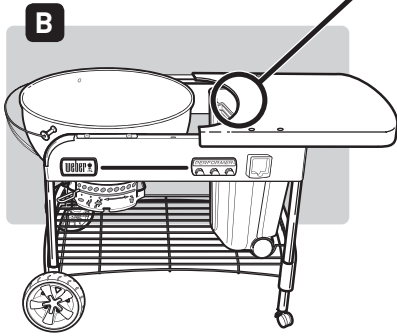
A



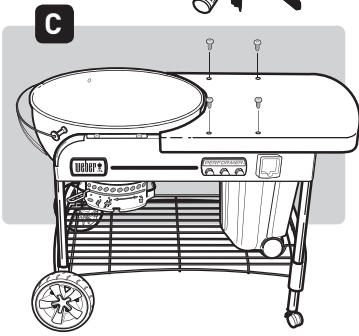
⚠ Finger Tighten Only.



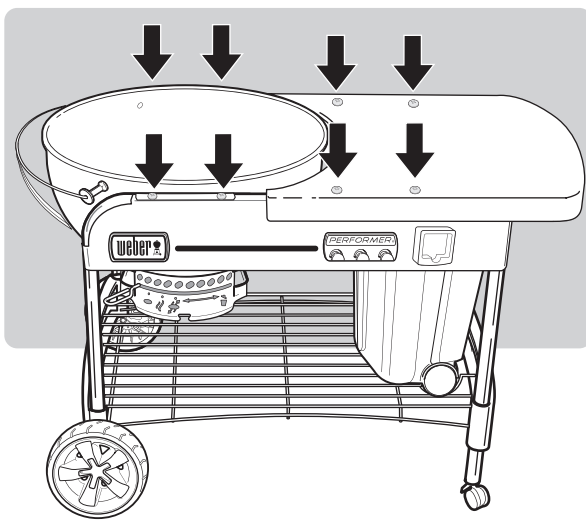
B



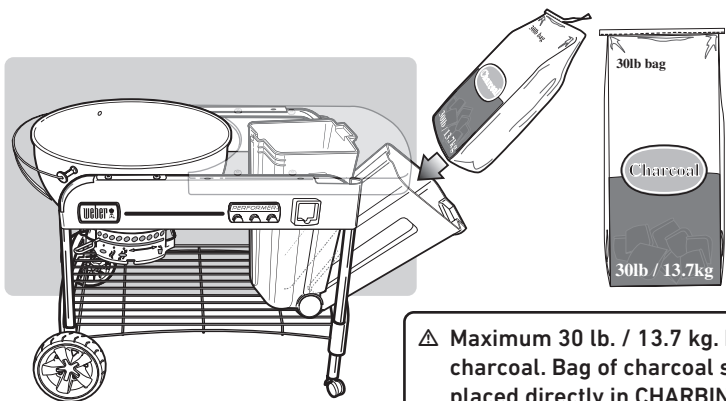
C



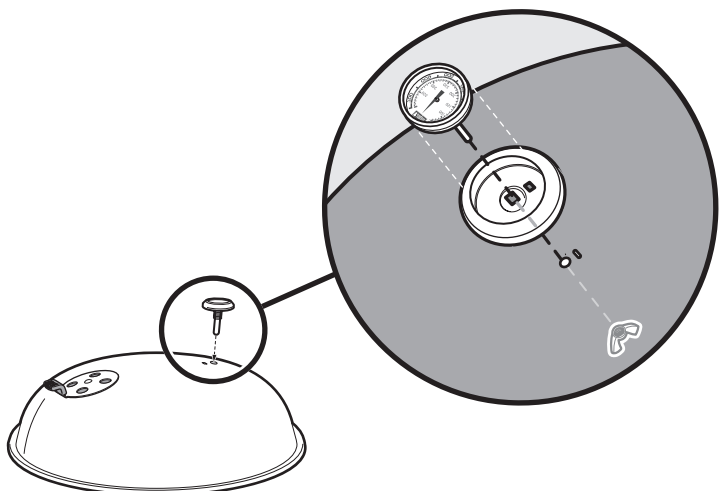
# 16

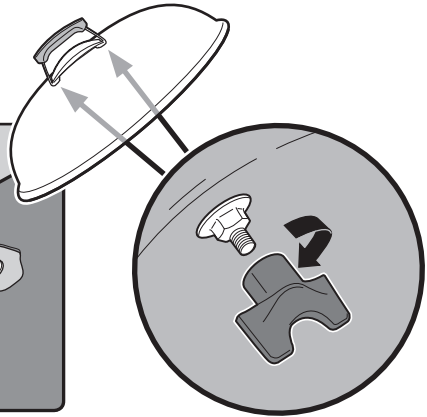
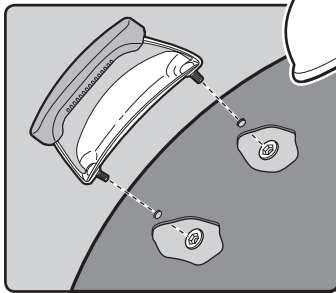
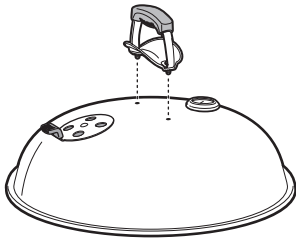


Fully tighten all eight screws.

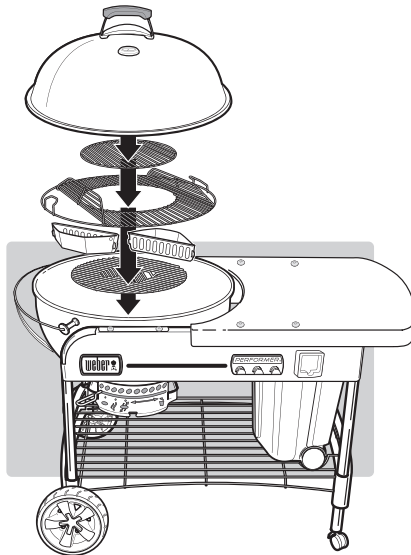


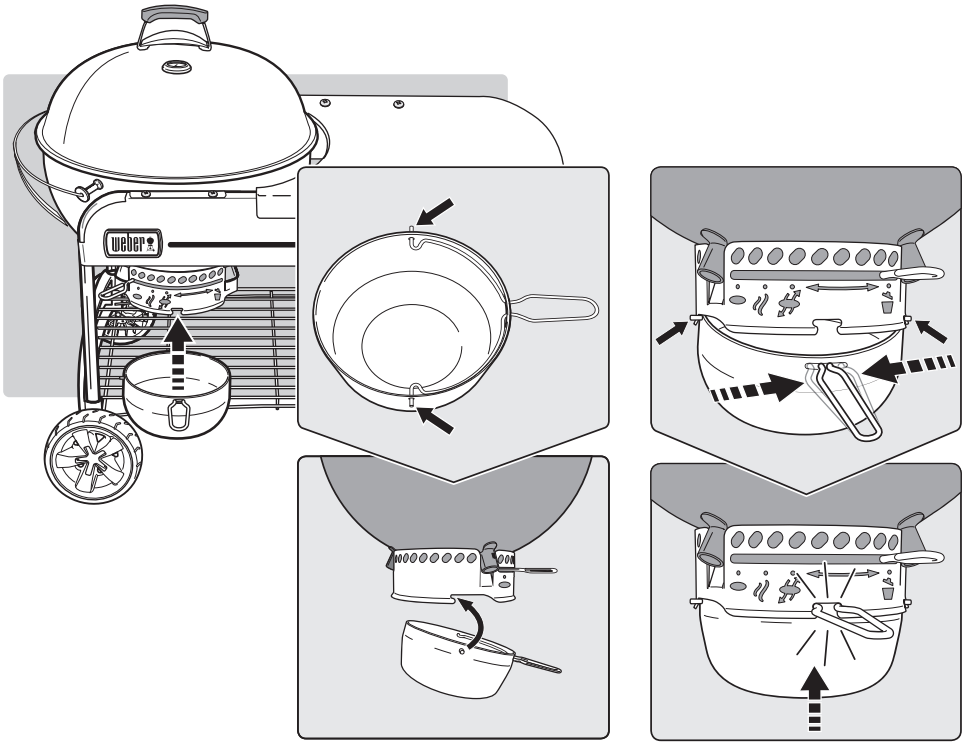
⚠ Maximum 30 lb. / 13.7 kg. bag of charcoal. Bag of charcoal should be placed directly in CHARBIN Storage Container.



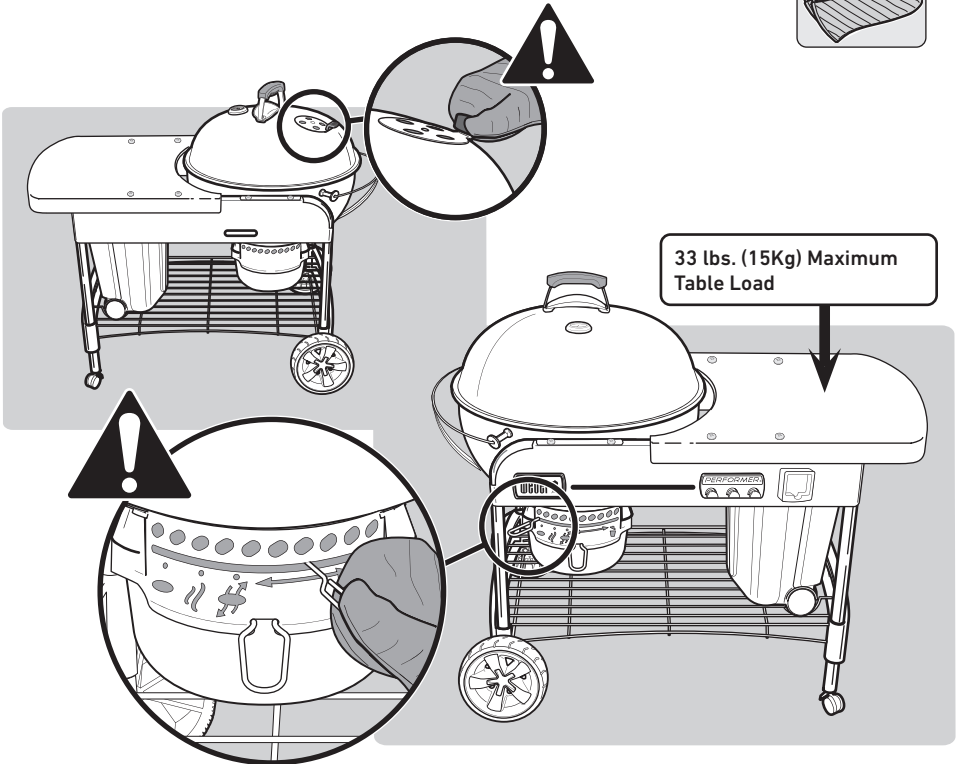
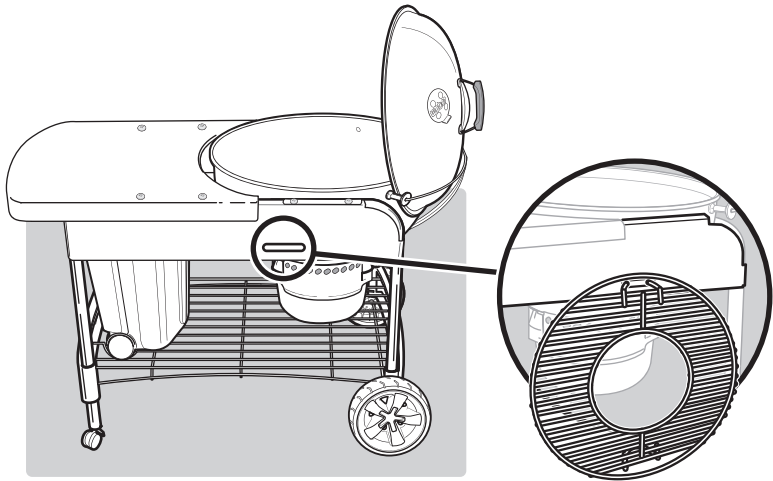


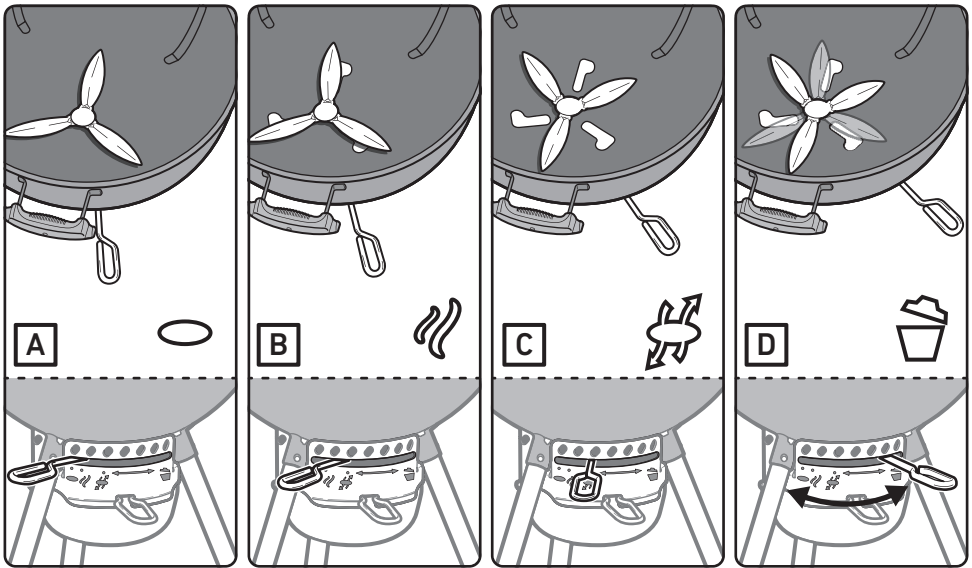
Tighten hardware until it is secure.  
**⚠ DO NOT OVERTIGHTEN HARDWARE.**









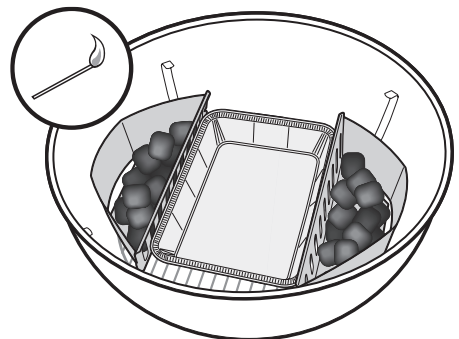


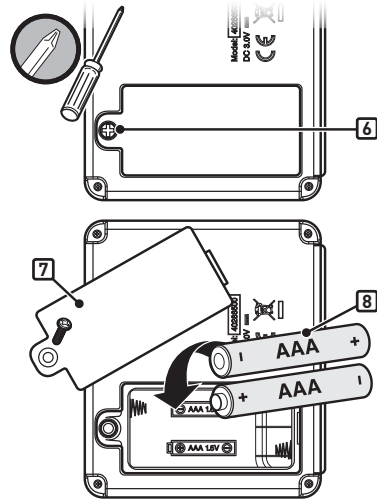
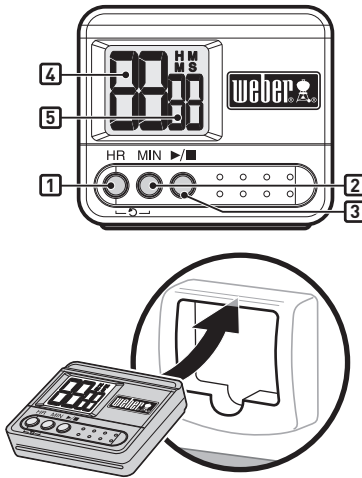
**A** - Vents closed   **B** - Smoking position   **C** - Vents open   **D** - Clear ashes

**⚠ WARNING:** When using liquid starters always check ash catcher before lighting. Fluid can collect in the ash catcher and could ignite, resulting in a fire below the bowl. Remove any starting fluid from the ash catcher before lighting charcoal.

### USING CHAR-BASKET CHARCOAL HOLDERS

To set up for indirect cooking, prepared charcoal are set on either side of the food. Leave enough room for a drip pan between the coals. Position the CHAR-BASKET Charcoal holders opposite the kettle handle(s), so that the charcoal will be away from the handle(s).





## TIMER OPERATION

This water-resistant digital cook timer provides both countup and countdown features in hours, minutes, and seconds.

### To set the time to countdown:

- Press the Start / Stop: ► / ■ button to turn on the backlight.
- Press the HR button (1) to set the number of hours. Hold the button down to fast forward digits (maximum setting: 99 hours) (4).
- Press the MIN button (2) to set the number of minutes. Hold the button down to fast forward digits (maximum setting: 59 minutes) (5).
- When the time is set, press the Start / Stop: ► / ■ button (3) to start the countdown.
- When the time is up, the alarm will sound for 30 seconds and automatically restart countdown from previous time setting.

### IMPORTANT

*When the timer has over an hour left on the countdown, H and M (Hours and Minutes) will flash on and off; numbers will countdown every minute. When the timer has less than an hour of time left, H and M turn to M and S (Minutes and Seconds) and the seconds countdown; numbers will start to countdown every second.*

### To clear the time:

- Press the Start / Stop: ► / ■ button to turn on the backlight.
- Press the HR and MIN: ⌚ buttons simultaneously (1)(2).

### To set the time to countup:

- Press the Start / Stop: ► / ■ button to turn on the backlight.
- Press the Start / Stop: ► / ■ button again to start countup. While counting up, display will show the reading in hour/minute and minute/second formats.
- Press the Start / Stop: ► / ■ button twice to stop timer. The countup will stop after 99 hours (4), 59 minutes (5).

### Automatic shut off:

- To save battery life, the backlight turns off after 10 seconds. The timer will turn completely off after 10 minutes of inactivity.

*Note: If using the timer in an environment that subjects it to electrostatic discharge (static electricity) the time setting may be lost. If this happens, reset the timer.*

### Battery installation:

- Use a Phillips screwdriver to unlock the battery compartment on the back of the timer (6) by turning the screw clockwise.
- Remove the battery cover from the back of the timer (7).
- Add or replace the AAA batteries (8).
- Replace the battery cover.
- Lock the battery cover by turning the screw counterclockwise with a Phillips screwdriver.
- After the batteries are installed, (0000) will display on the LCD screen.

### Maintenance:

- Do not clean the timer with an abrasive or corrosive compound. Doing so may scratch it or corrode the electronic circuits.
- Do not subject the timer to excessive force, shock, dust, or expose it to excessive temperatures or humidity. Doing so may result in malfunctioning, shorter electronic life span, battery damage, or distorted parts.
- Do not tamper with the internal components of the timer. Doing so will invalidate the timer's warranty and may cause unnecessary damage to the battery and internal parts.
- Do not subject the timer to excessive exposure to direct sunlight or heavy rain.
- Do not immerse the timer in water.

**For best performance, it is recommended to bring the timer indoors while not in use.**



Weber-Stephen Products LLC  
[www.weber.com](http://www.weber.com)

© 2021 Designed and engineered by Weber-Stephen Products LLC,  
1415 S. Roselle Road, Palatine, Illinois 60067 USA.