

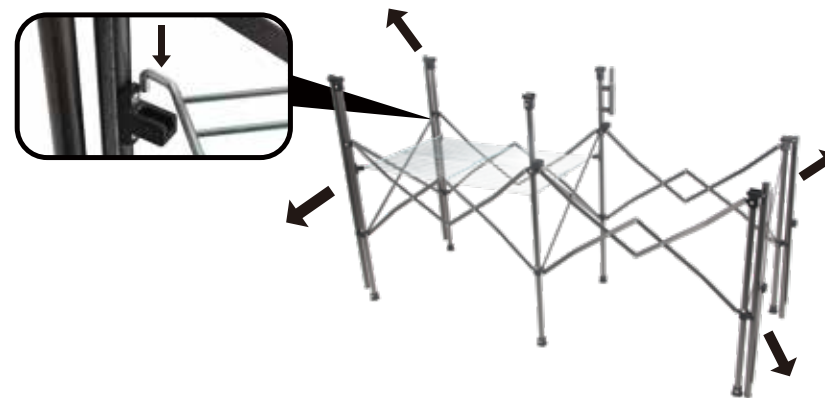
## Packaway Kitchen Set-up

1



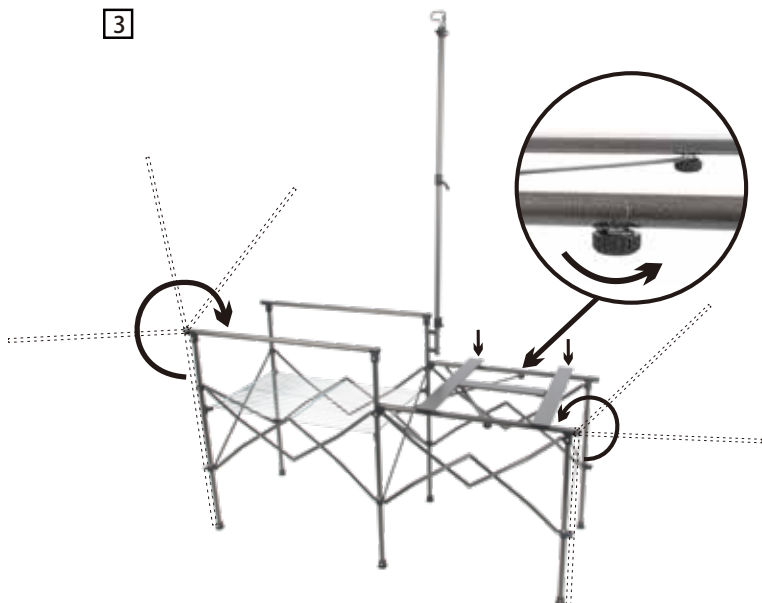
1. Open the locks and take the main frame out of the case.

2



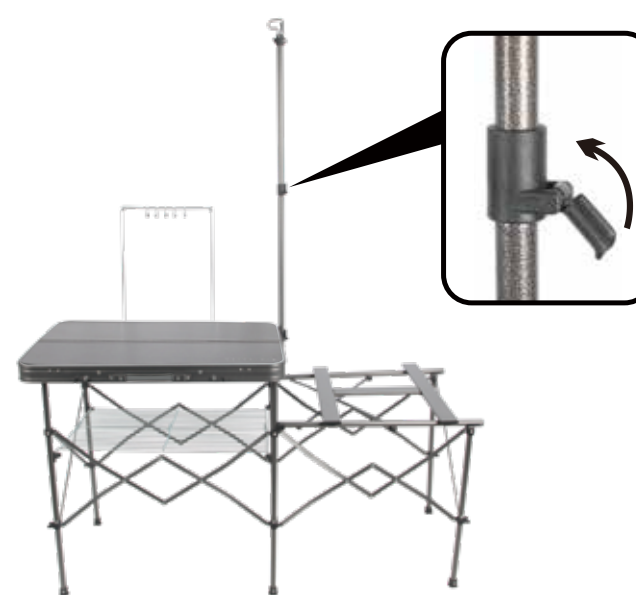
2. Unfold the frame and put the wire shelf on.

3



3. Align and secure the crossbars on the top of the main frame in order to stabilise it. Install the other parts of the table, as shown.

4



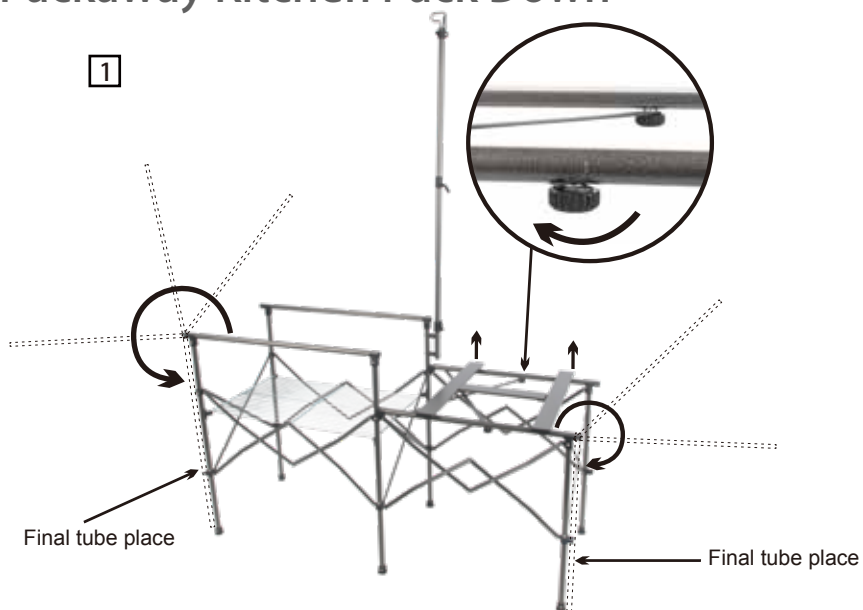
4. The camp kitchen is ready for use.

**CAUTION:**

To be assembled by an adult only.

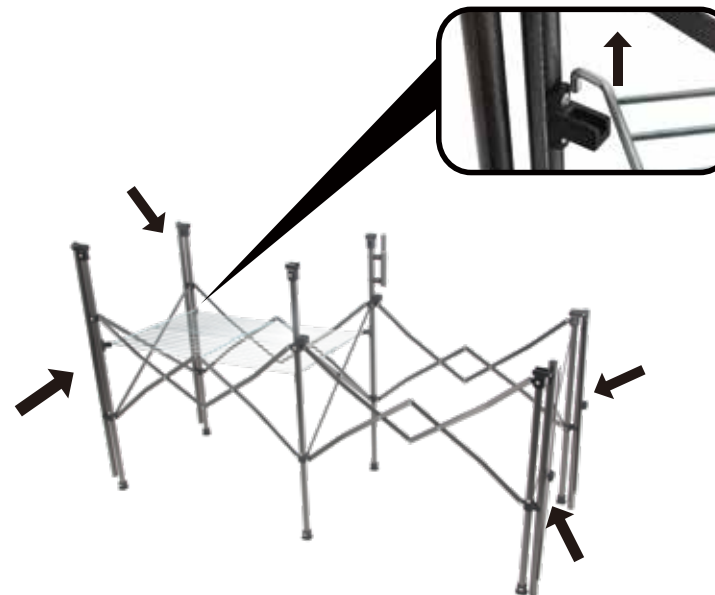
### Packaway Kitchen Pack Down

1



1. a: Remove the table top and all parts of the kitchen.
- b: Lift tubing and pivot so tubes align with mainframe.

2



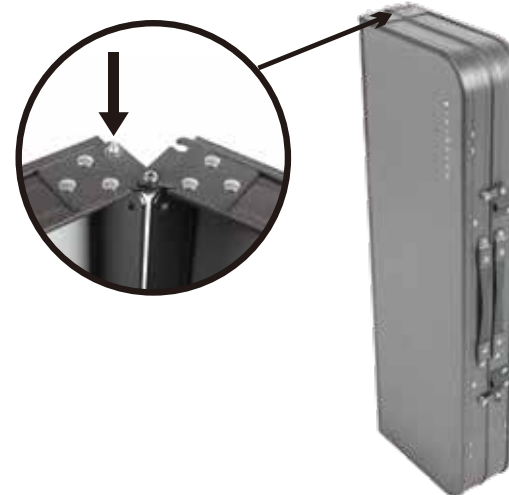
2. Remove the wire shelf and fold the frame slowly.

3



3. Put all accessories into the main frame, back in the carry case.

4



4. Push the button on the table top, close and lock it.

**CAUTION:**  
To be assembled by an adult only.